



US00D844226S

(12) **United States Design Patent**
Fornarelli

(10) **Patent No.:** **US D844,226 S**
(45) **Date of Patent:** **** Mar. 26, 2019**

- (54) **VAPORIZER ASSEMBLY**
- (71) Applicant: **Thomas Fornarelli**, Chicago, IL (US)
- (72) Inventor: **Thomas Fornarelli**, Chicago, IL (US)
- (**) Term: **15 Years**
- (21) Appl. No.: **29/599,559**
- (22) Filed: **Apr. 4, 2017**

D573,303 S *	7/2008	Fuente	D27/189
D618,392 S *	6/2010	LoRe	D27/172
D700,034 S *	2/2014	Kessler	D8/300
D708,038 S *	7/2014	Edson	D8/300
D728,725 S *	5/2015	Anderson	D22/108
D738,569 S *	9/2015	Saide	D22/117
D754,913 S *	4/2016	Almsberger	D27/152
D791,403 S *	7/2017	Malhi	D27/195
D806,946 S *	1/2018	Deahj	D27/172
D807,575 S *	1/2018	Luo	D27/141
D809,194 S *	1/2018	Falcone	D27/172
D816,267 S *	4/2018	Fornarelli	D27/101
D822,898 S *	7/2018	Ruiz	D27/191

(Continued)

Related U.S. Application Data

- (63) Continuation-in-part of application No. 29/594,494, filed on Feb. 18, 2017.
- (51) **LOC (11) Cl.** **27-02**
- (52) **U.S. Cl.**
USPC **D27/162**
- (58) **Field of Classification Search**
USPC D27/100, 101, 139-196; D24/110;
D23/366; D3/273; D9/455, 456;
D8/300
CPC A24F 15/00; A24F 9/16
See application file for complete search history.

Primary Examiner — Marissa J Cash

(74) *Attorney, Agent, or Firm* — Flener IP & Business Law, LLC; Zareefa B. Flener

(57) **CLAIM**

The ornamental design for a vaporizer assembly, as shown and described.

DESCRIPTION

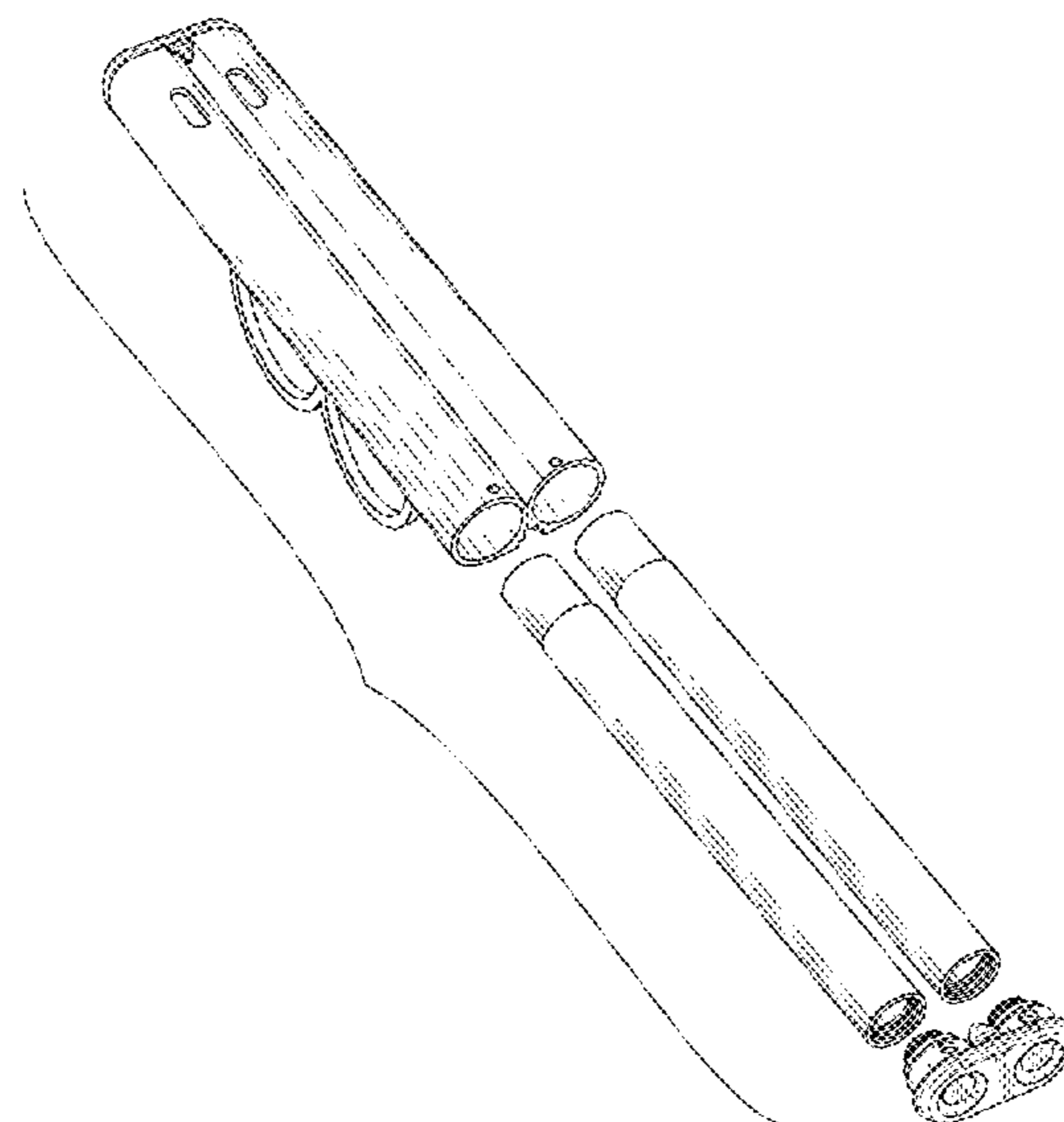
FIG. 1 is an exploded back perspective view of a vaporizer assembly showing a first embodiment of my new design; FIG. 2 is an exploded front and bottom perspective view of my new design illustrated in FIG. 1; FIG. 3 is an exploded right elevational view thereof; FIG. 4 is an exploded left elevational view thereof; FIG. 5 is a back elevational view thereof; FIG. 6 is a front elevational view thereof; FIG. 7 is an exploded top plan view thereof; FIG. 8 is an exploded bottom plan view thereof; FIG. 9 is an exploded bottom and back perspective view thereof; FIG. 10 is an exploded top and back perspective view of a second embodiment of my new design; and, FIG. 11 is an exploded bottom and top perspective view thereof.

1 Claim, 8 Drawing Sheets

(56) **References Cited**

U.S. PATENT DOCUMENTS

D87,476 S *	8/1932	Mattison	D27/192
D148,239 S *	12/1947	Harper	D27/167
D248,877 S *	8/1978	Harris	D27/159
D392,069 S *	3/1998	Rowland	D27/183
D427,433 S *	7/2000	Leibeck	D27/189
6,260,554 B1 *	7/2001	Rowland	A24F 1/26 131/173
6,298,857 B1 *	10/2001	Schmidt	A24F 13/24 131/250
D477,893 S *	7/2003	Cohen Harel	D27/157
D505,747 S *	5/2005	Zilberman	D27/189
D535,054 S *	1/2007	Zilberman	D27/189
D565,790 S *	4/2008	Eisman	D27/161



(56)

References Cited

U.S. PATENT DOCUMENTS

D825,098 S * 8/2018 Fornarelli D27/101
2013/0180084 A1* 7/2013 Edson A45B 9/02
16/430
2015/0305407 A1* 10/2015 Li A61M 11/08
131/273
2017/0119044 A1* 5/2017 Oligschlaeger A24F 15/00

* cited by examiner

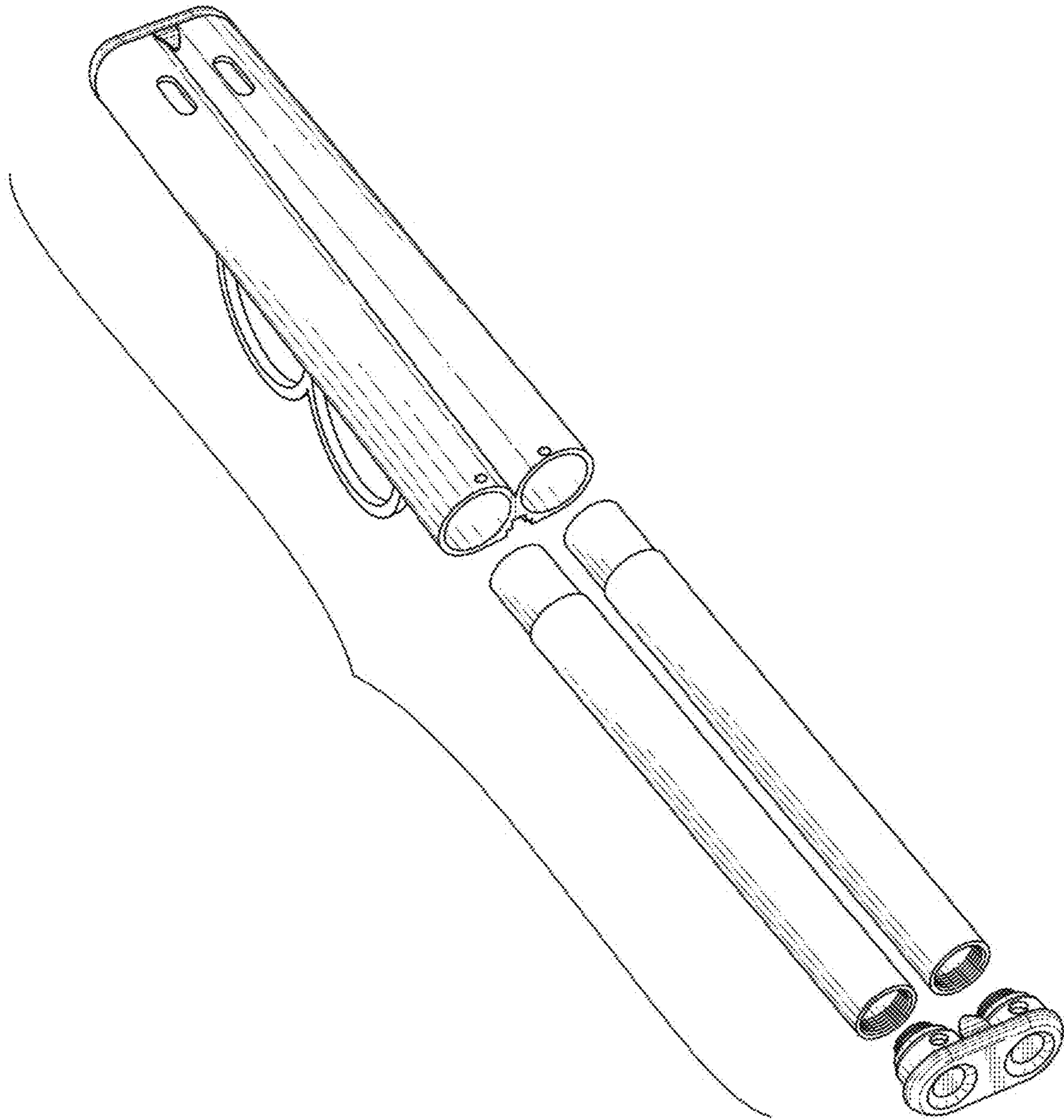


FIG. 1

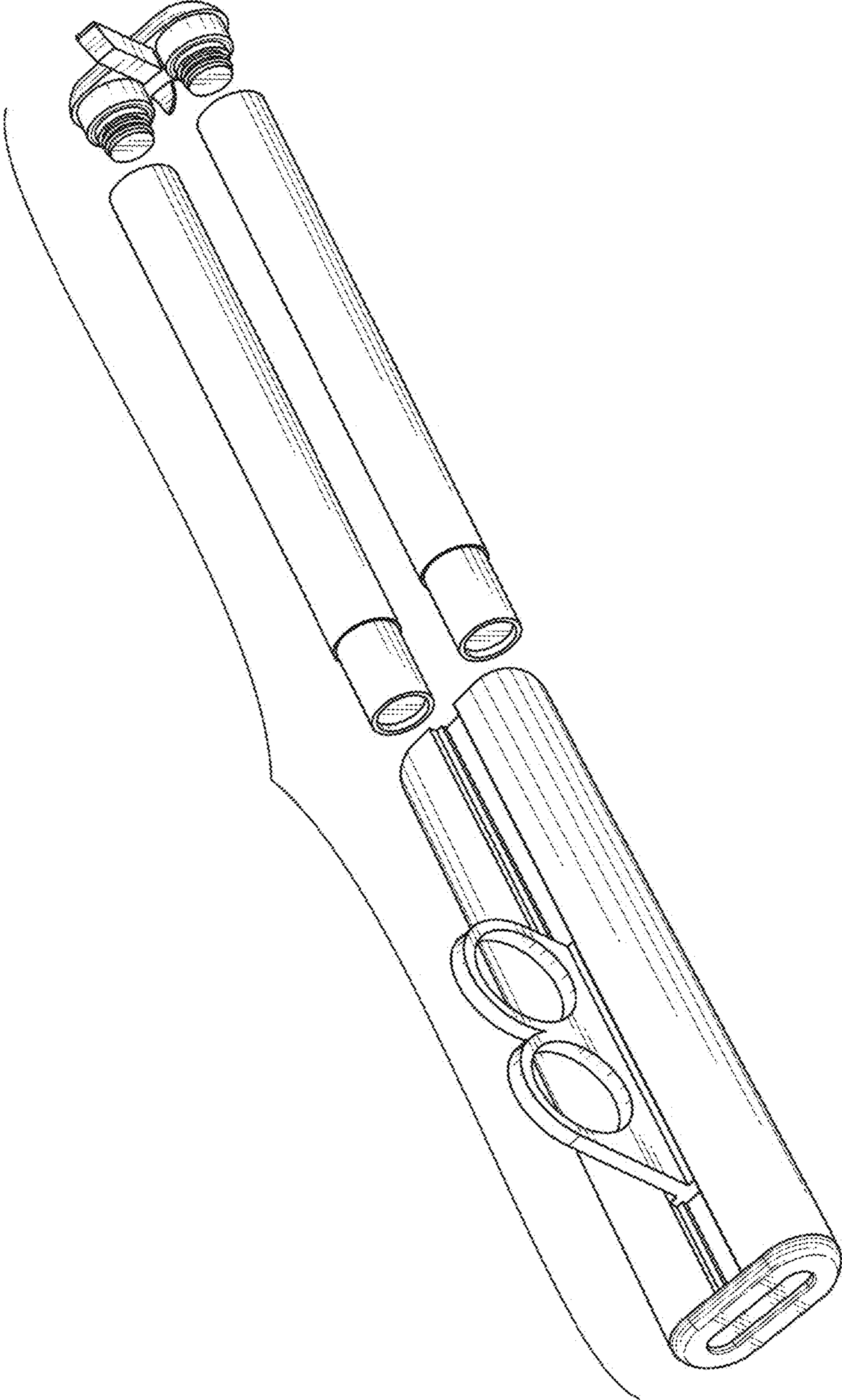


FIG. 2

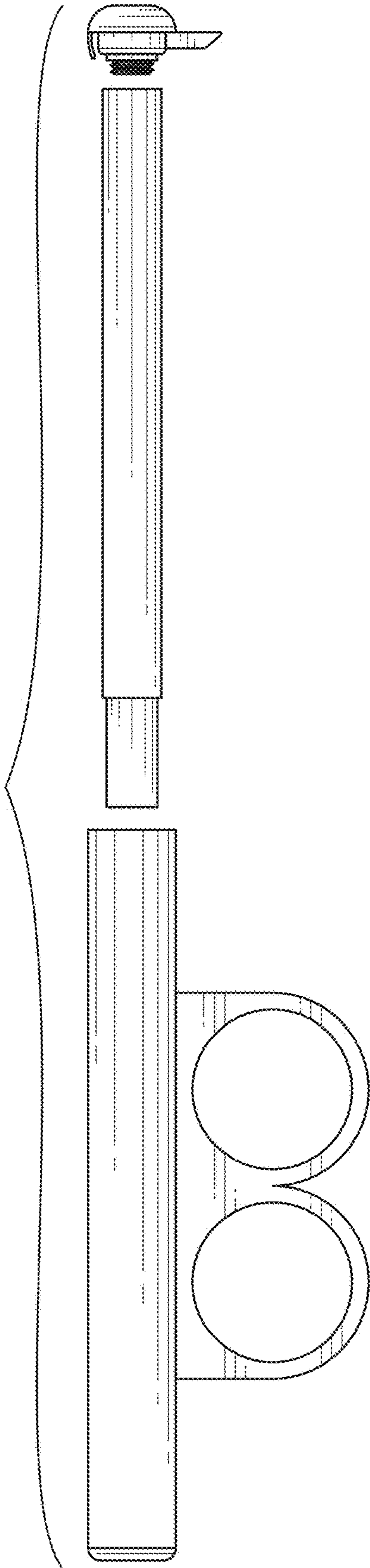


FIG. 3

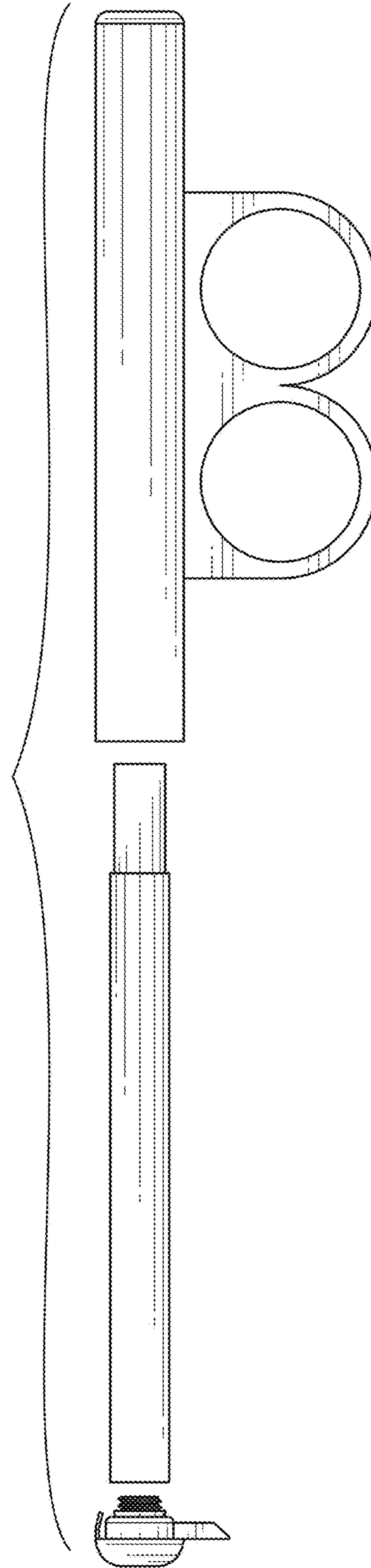


FIG. 4

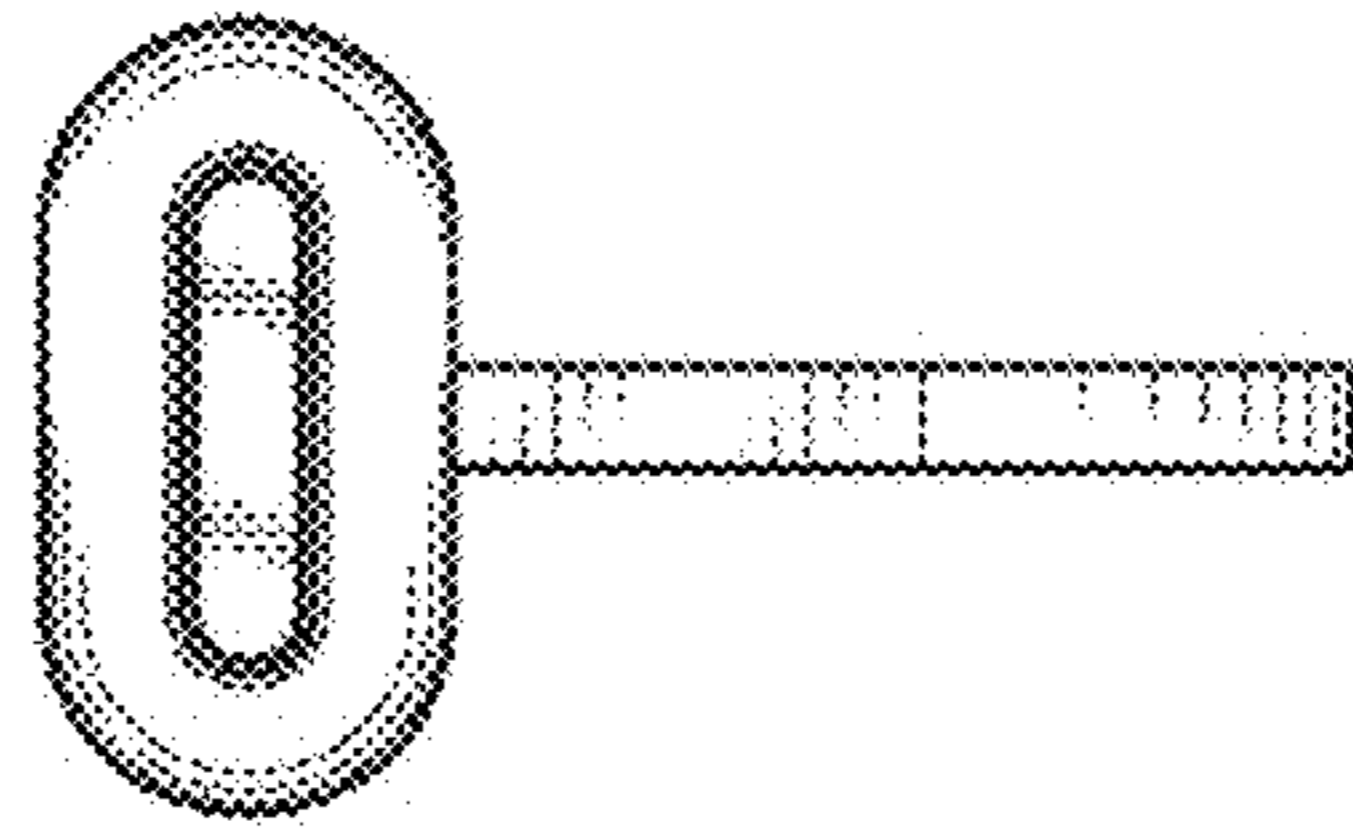


FIG. 6

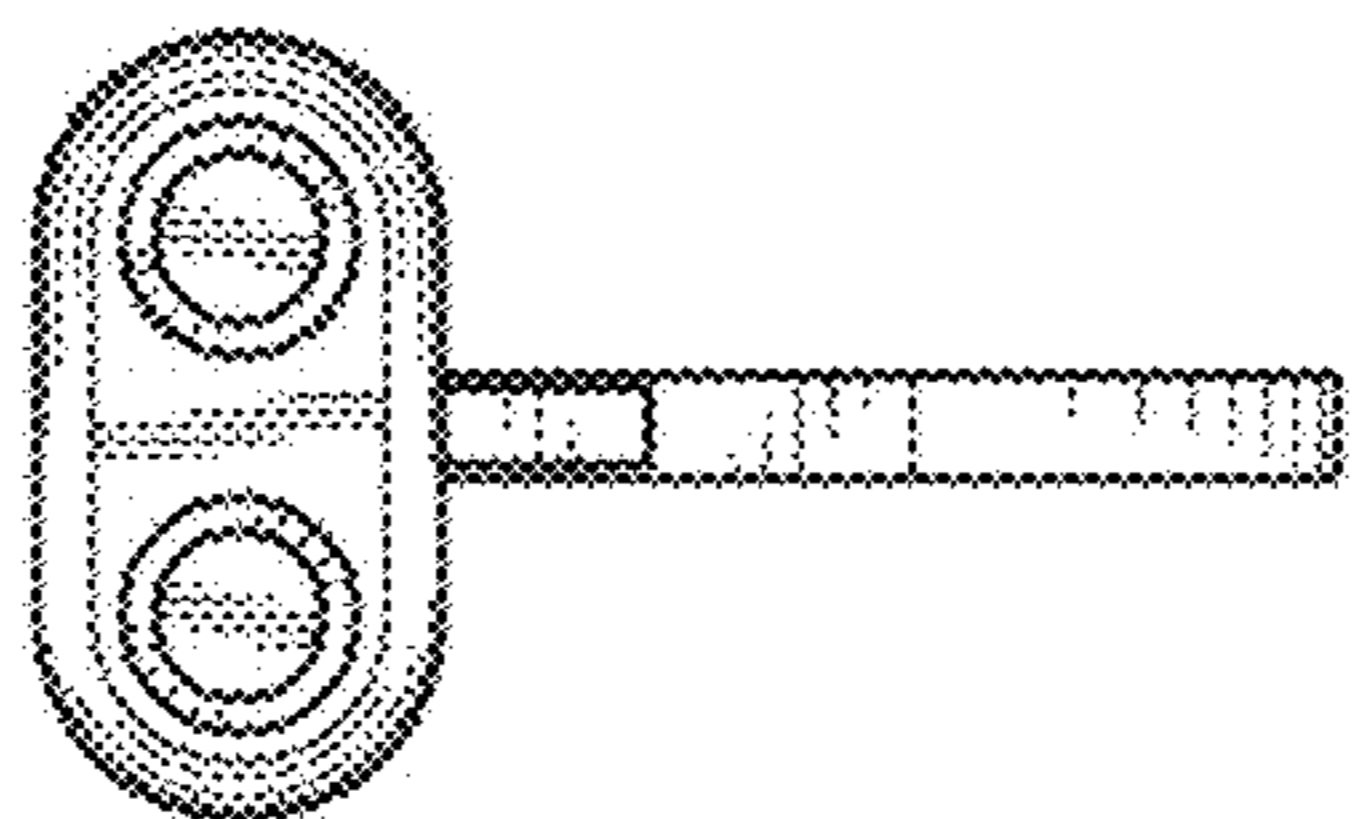


FIG. 5

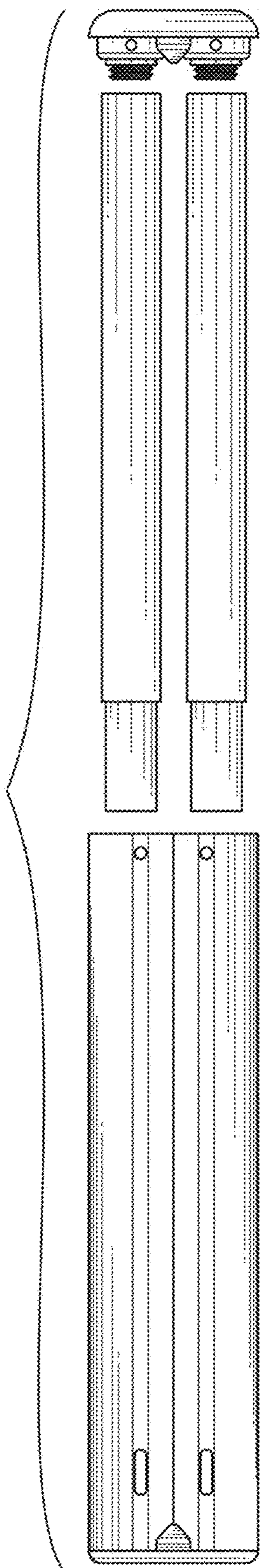


FIG. 7

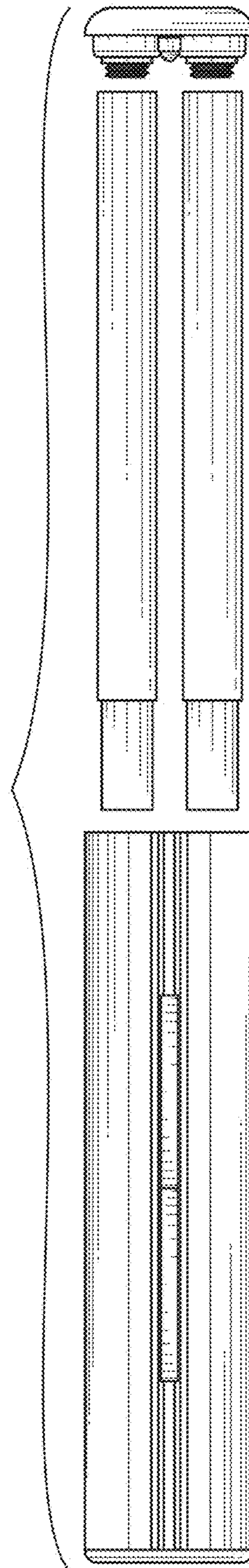


FIG. 8

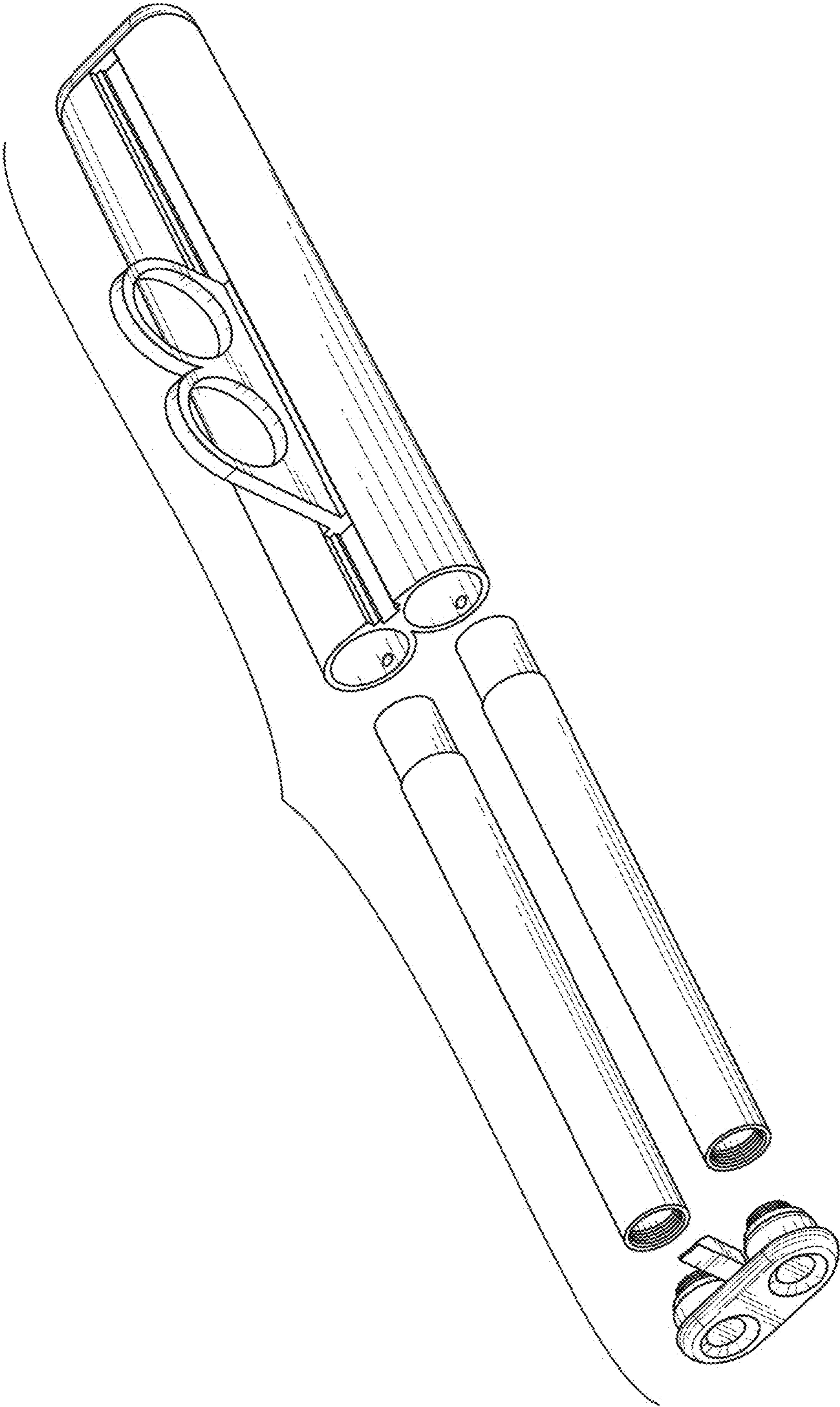


FIG. 9

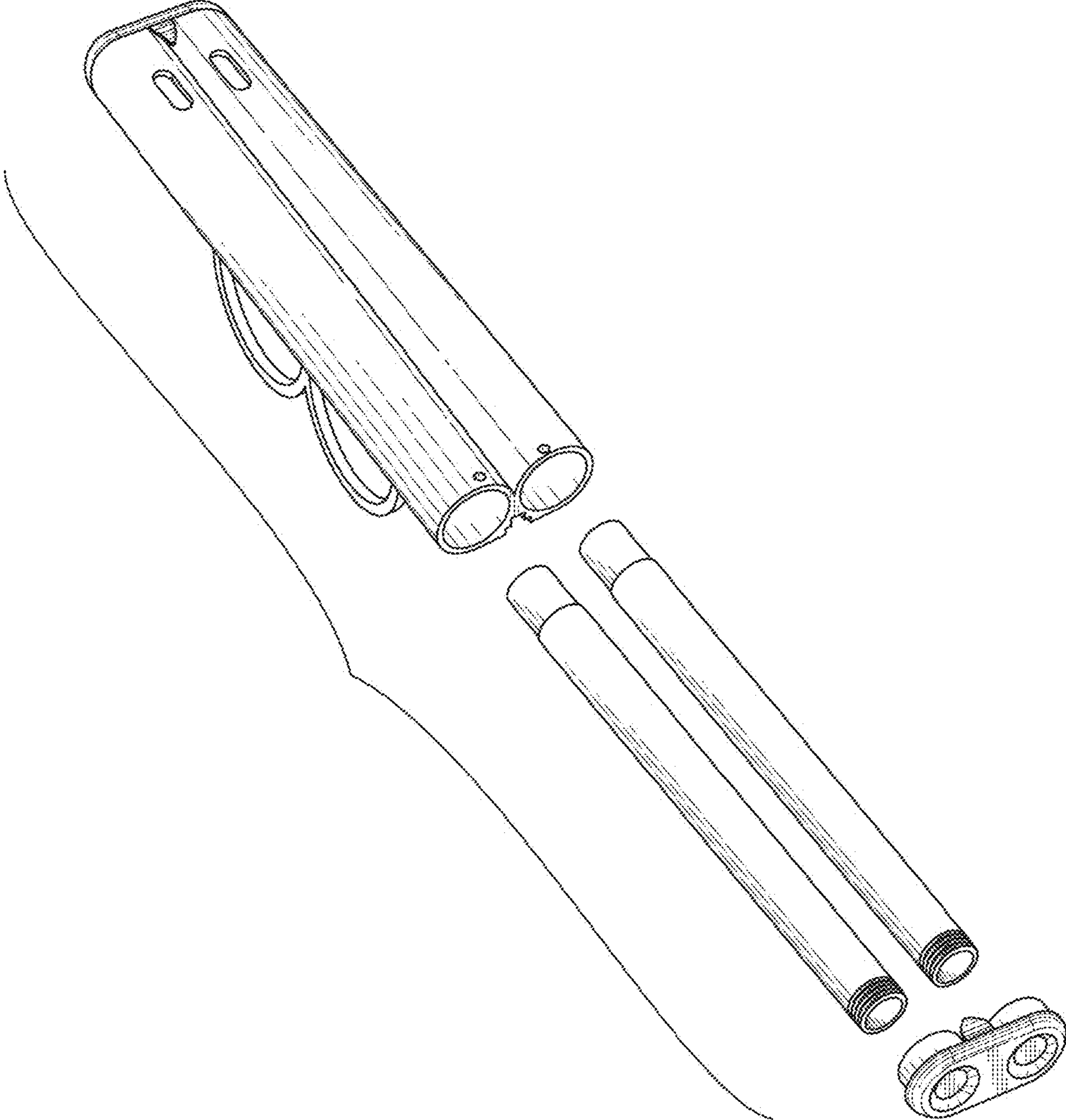


FIG. 10

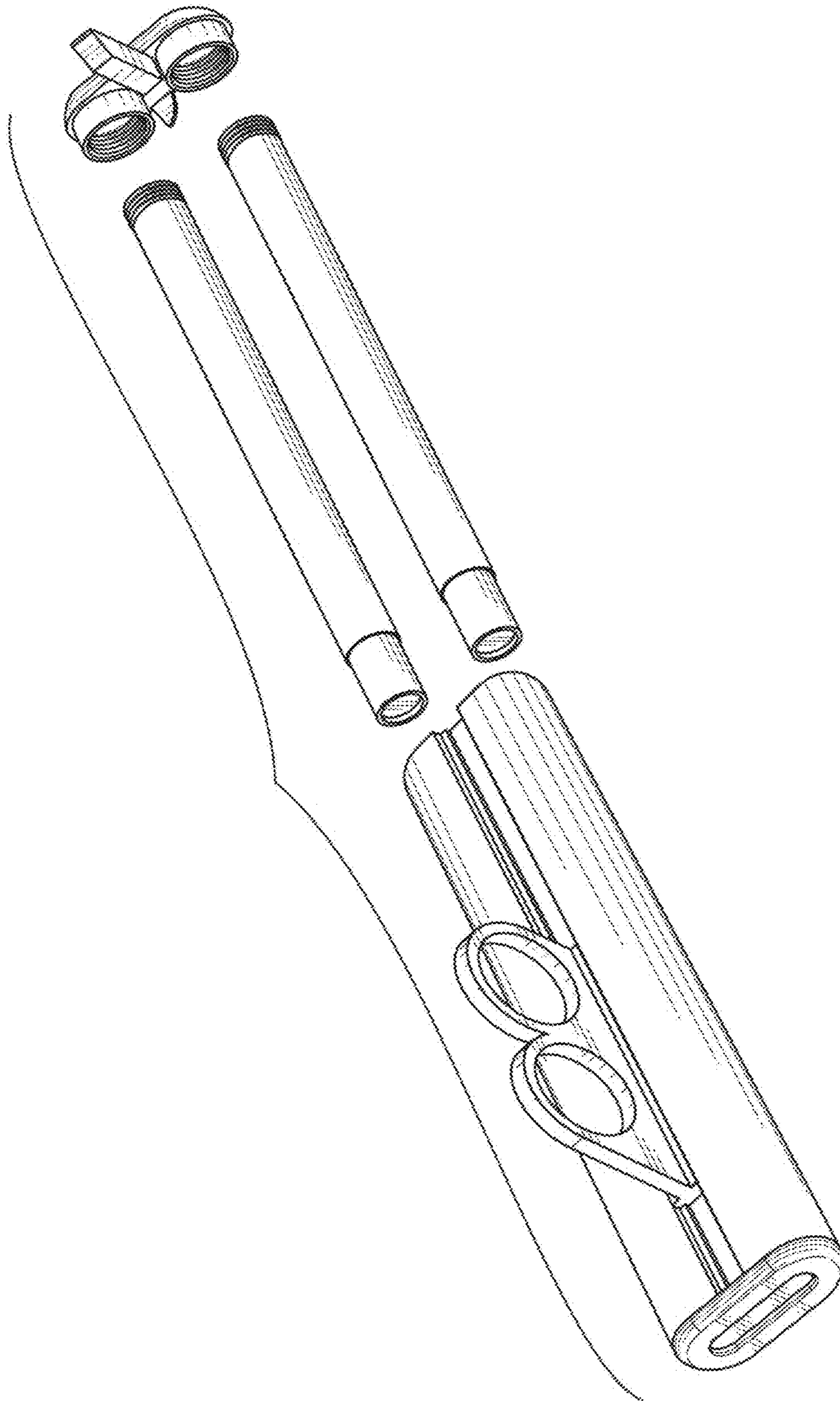


FIG. 11