



US00D844222S

(12) **United States Design Patent**
Yamada et al.

(10) **Patent No.:** **US D844,222 S**
(45) **Date of Patent:** **** Mar. 26, 2019**

(54) **TOBACCO SUCTION TOOL CARTRIDGE**

D703,521 S * 4/2014 Haynes D8/397
D724,781 S * 3/2015 Hearn D27/101
D728,154 S * 4/2015 Lavanchy D27/100

(71) Applicant: **Japan Tobacco Inc.**, Tokyo (JP)

(Continued)

(72) Inventors: **Manabu Yamada**, Tokyo (JP);
Masafumi Tarora, Tokyo (JP);
Hirofumi Matsumoto, Tokyo (JP)

FOREIGN PATENT DOCUMENTS

(73) Assignee: **JAPAN TOBACCO INC.**, Tokyo (JP)

CN 302715975 S 1/2014
JP D1385677 D 3/2010

(Continued)

(**) Term: **15 Years**

OTHER PUBLICATIONS

(21) Appl. No.: **29/572,025**

Tobacco Suction Tool I Vape Leaf I Logic Vapes, posted date n/a, (c) 2017 Logic Technology Development LLC, [online], [site visited Oct. 8, 2017], Available at <https://logicvapes.us/about-vapeleaf-tobacco-vape/>.*

(22) Filed: **Jul. 25, 2016**

(30) **Foreign Application Priority Data**

Jan. 25, 2016 (JP) 2016-001327

(51) **LOC (11) Cl.** **27-02**

(52) **U.S. Cl.**
USPC **D27/101**; D27/167

(58) **Field of Classification Search**
USPC D24/108, 110, 110.5; D27/100, 101,
D27/194, 139-161, 162-196; D8/349,
D8/354, 356, 382, 387, 394, 397, 399,
D8/105, 396; D13/119
CPC A24F 1/00; A24F 1/02; A24F 1/04; A24F
1/06; A24F 1/08; A24F 1/10; A24F 1/12;
A24F 1/14; A24F 1/26; A24F 1/28; A24F
7/00; A24F 7/02; A24F 7/04; A24D
47/008

See application file for complete search history.

Primary Examiner — Marissa J Cash

(74) *Attorney, Agent, or Firm* — Ohlandt, Greeley,
Ruggiero & Perle, LLP

(57) **CLAIM**

The ornamental design for a tobacco suction tool cartridge,
as shown and described.

DESCRIPTION

FIG. 1 is a perspective view from the left side of a tobacco
suction tool cartridge.

FIG. 2 is a perspective view from the right side thereof.

FIG. 3 is a front elevation view thereof.

FIG. 4 is a rear elevation view thereof.

FIG. 5 is a top plan view thereof.

FIG. 6 is a bottom plan view thereof.

FIG. 7 is a left side elevation view thereof.

FIG. 8 is a right side elevation view thereof; and,

FIG. 9 is an enlarged cross-sectional view taken in the
direction of 9-9 in FIG. 7.

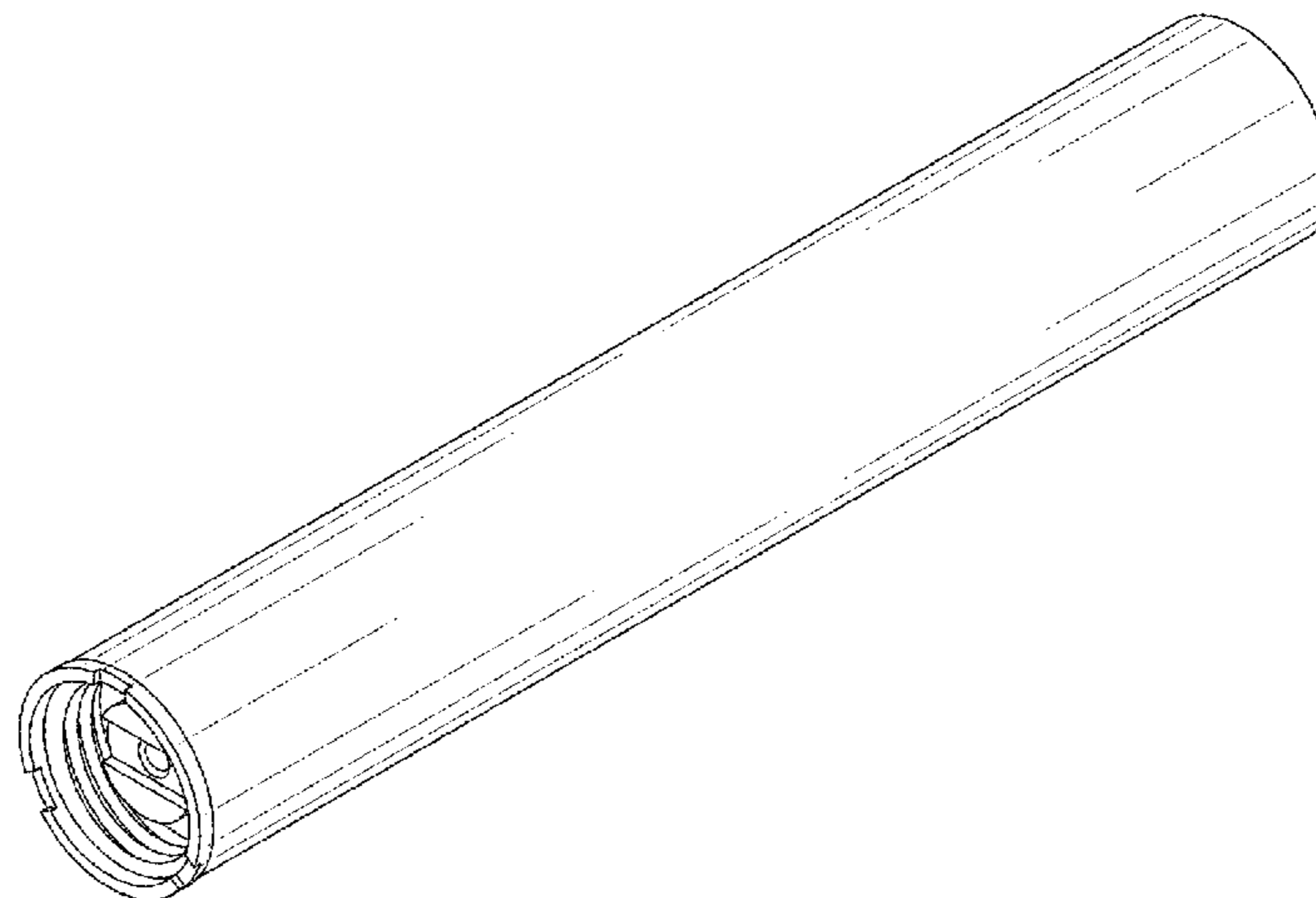
The broken lines shown in the drawings illustrate portions of
the tobacco suction tool cartridge that form no part of the
claimed design.

1 Claim, 9 Drawing Sheets

(56) **References Cited**

U.S. PATENT DOCUMENTS

6,532,965 B1 * 3/2003 Abhulimen A24F 47/004
131/175
D590,988 S * 4/2009 Hon D27/101
D590,989 S * 4/2009 Hon D27/101
D590,990 S * 4/2009 Hon D27/101
D695,449 S * 12/2013 Tucker D27/101



(56)

References Cited

U.S. PATENT DOCUMENTS

D729,439 S * 5/2015 Scatterday D27/101
 D730,286 S * 5/2015 Liu D13/119
 D749,261 S * 2/2016 Chen D27/162
 D750,834 S * 3/2016 Wei D27/101
 D750,835 S * 3/2016 Wei D27/101
 D752,279 S * 3/2016 Liu D27/101
 D755,440 S * 5/2016 Collen D27/163
 D756,031 S * 5/2016 Wu D27/101
 D757,353 S * 5/2016 Nunnelly D27/101
 D758,650 S * 6/2016 Wu D27/101
 D759,296 S * 6/2016 Abroff D27/101
 D760,947 S * 7/2016 Hearn D27/101
 D765,307 S * 8/2016 Liu D27/101
 D765,308 S * 8/2016 Liu D27/101
 D765,309 S * 8/2016 Liu D27/101
 D765,907 S * 9/2016 Liu D27/101
 D767,822 S * 9/2016 Jordan D27/194
 D768,915 S * 10/2016 Wright D27/101
 D769,519 S * 10/2016 Chen D27/101
 D770,087 S * 10/2016 Di Bari D27/101
 D776,245 S * 1/2017 Yu D23/259
 D776,868 S * 1/2017 Rado D27/162
 D780,993 S * 3/2017 Bramley D27/170
 D784,609 S * 4/2017 Liu D27/101
 D795,682 S * 8/2017 Downs D8/382
 D796,947 S * 9/2017 Hsu D8/397
 D797,369 S * 9/2017 Yamada D27/101
 D799,108 S * 10/2017 Meyer D27/101
 D799,315 S * 10/2017 May D8/397
 D803,475 S * 11/2017 Scheiber D27/101
 D804,091 S * 11/2017 Fornarelli D27/101
 D806,942 S * 1/2018 Qiu D27/101
 D811,004 S * 2/2018 Yamada D27/101
 D813,155 S * 3/2018 Yamada D13/103
 D817,540 S * 5/2018 Yamada D27/101
 2004/0154630 A1 * 8/2004 Tabuchi A24B 15/282
 131/365
 2011/0277760 A1 * 11/2011 Terry A24F 47/008
 128/203.12
 2012/0318283 A1 * 12/2012 Watanabe A24F 47/002
 131/191
 2014/0034070 A1 * 2/2014 Schennum A24F 47/002
 131/329
 2014/0076310 A1 * 3/2014 Newton A61M 15/06
 128/202.21

2014/0150785 A1 * 6/2014 Malik A61M 15/06
 128/202.21
 2014/0283859 A1 * 9/2014 Minskoff A24F 47/008
 131/329
 2014/0355969 A1 * 12/2014 Stern 392/390
 2015/0027465 A1 * 1/2015 Liu A24F 47/008
 131/329
 2015/0144146 A1 * 5/2015 Selby A24F 1/28
 131/328
 2015/0164141 A1 * 6/2015 Newton A24F 47/008
 131/329
 2015/0208728 A1 * 7/2015 Lord A24F 47/008
 131/329
 2015/0296884 A1 * 10/2015 Liu A24F 47/008
 131/329
 2015/0320114 A1 * 11/2015 Wu A24F 47/002
 131/329
 2015/0328415 A1 * 11/2015 Minskoff A61M 15/06
 128/202.21
 2015/0332379 A1 * 11/2015 Alarcon A24F 15/18
 705/26.81
 2015/0335072 A1 * 11/2015 Giller F21V 33/0004
 131/328
 2015/0335073 A1 * 11/2015 Li A24F 47/008
 131/329
 2015/0374036 A1 * 12/2015 Suzuki A24F 47/008
 131/329
 2016/0007650 A1 * 1/2016 Duncan A24F 47/004
 131/328
 2016/0073694 A1 * 3/2016 Liu A24F 47/008
 131/329
 2016/0144458 A1 * 5/2016 Boldrini B23K 31/02
 228/176
 2017/0135398 A1 * 5/2017 Scott A24F 47/002
 2017/0246407 A1 * 8/2017 Matsumoto A24F 47/002
 2018/0029866 A1 * 2/2018 Scott B67D 7/0294
 2018/0029867 A1 * 2/2018 Biel B67D 7/0294

FOREIGN PATENT DOCUMENTS

JP D1385679 D 3/2010
 JP D1385677 D 4/2010
 JP D1385679 D 4/2010
 KR 30-2013-0040813 12/2013
 KR 30-0721091 12/2013
 KR 30-2013-0064261 9/2014
 KR 30-0763926 9/2014

* cited by examiner

FIG. 1

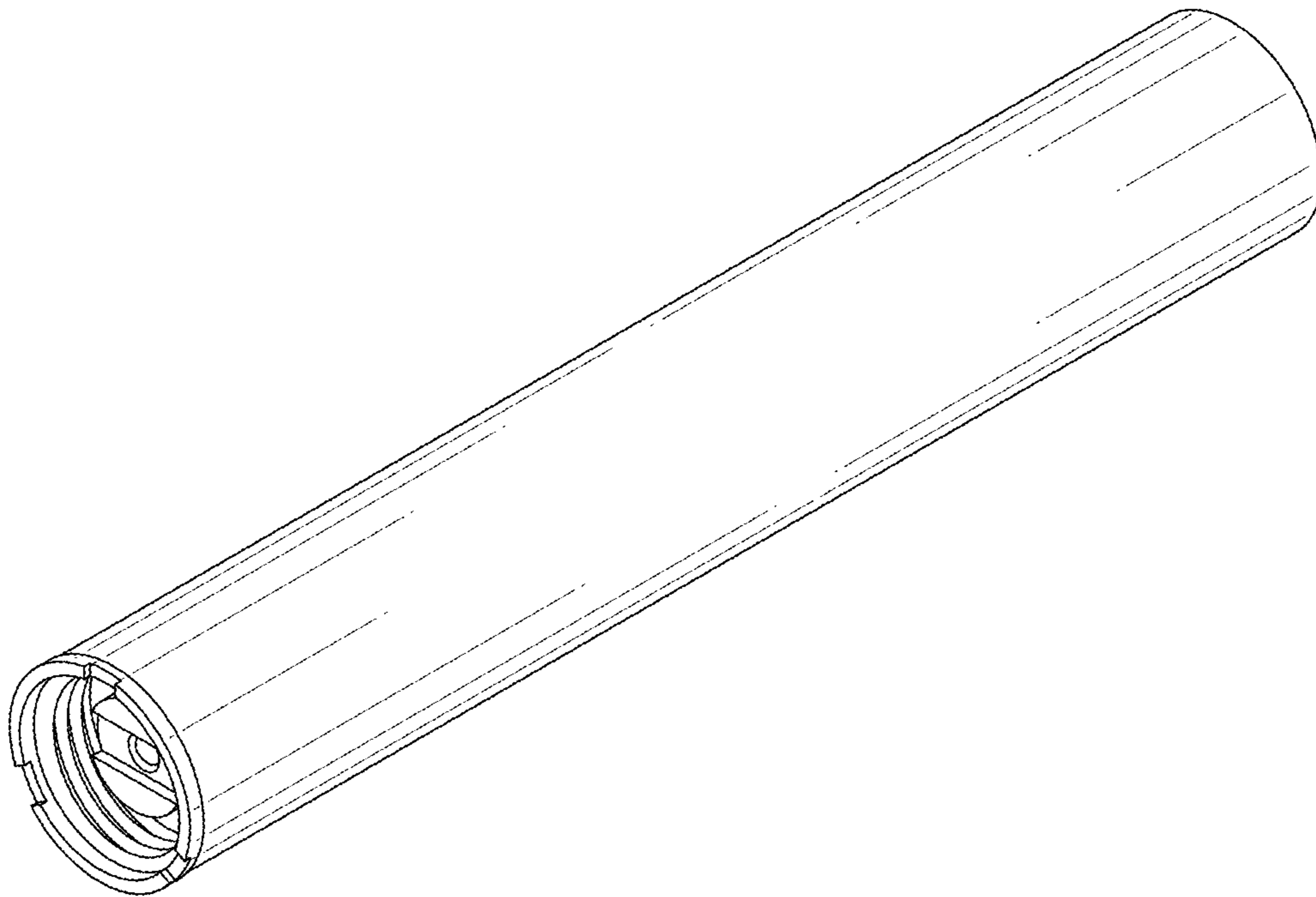


FIG. 2

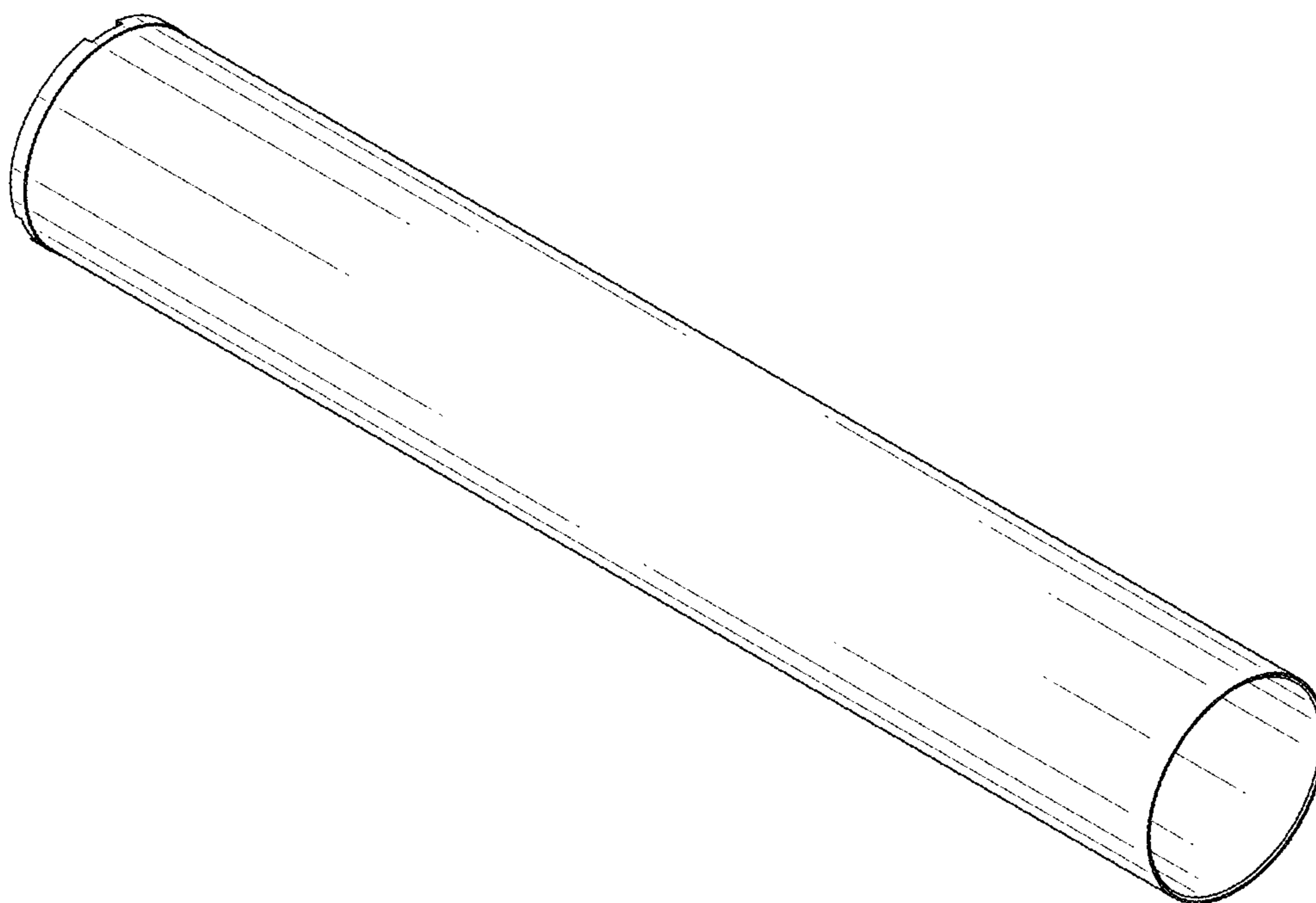


FIG. 3

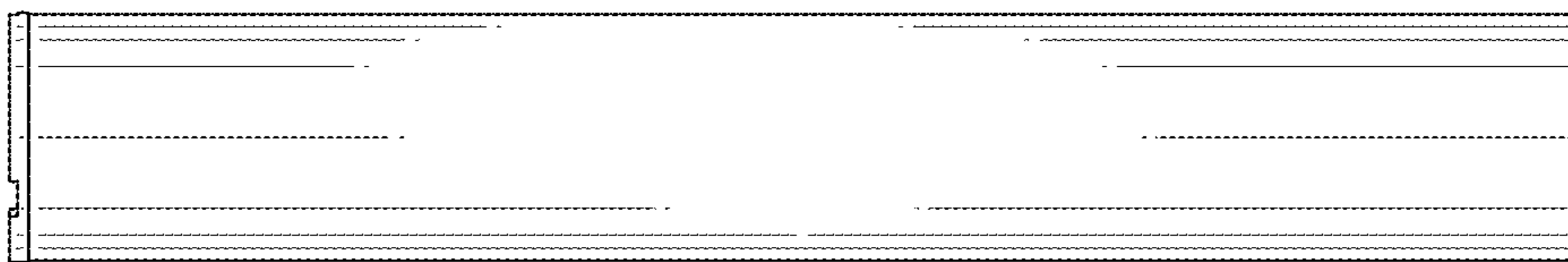


FIG. 4

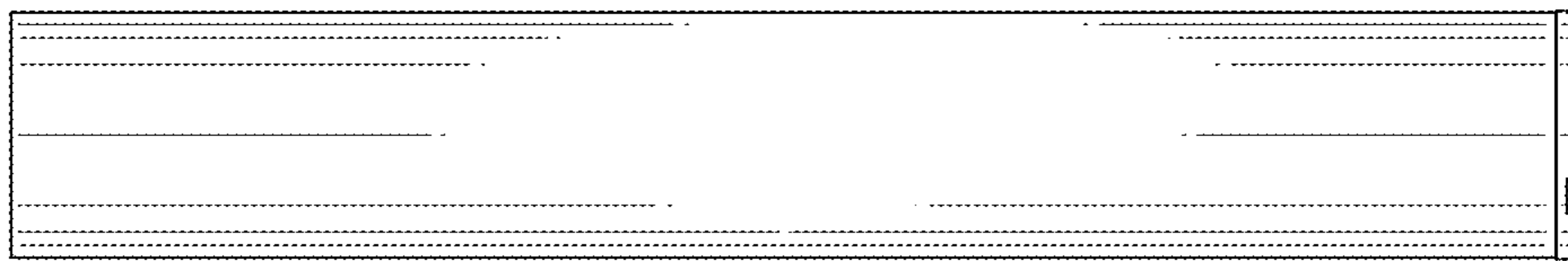


FIG. 5

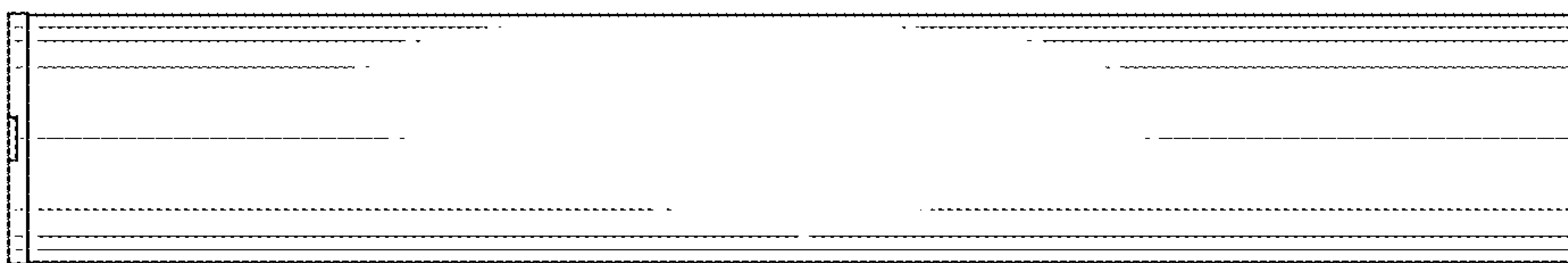


FIG. 6

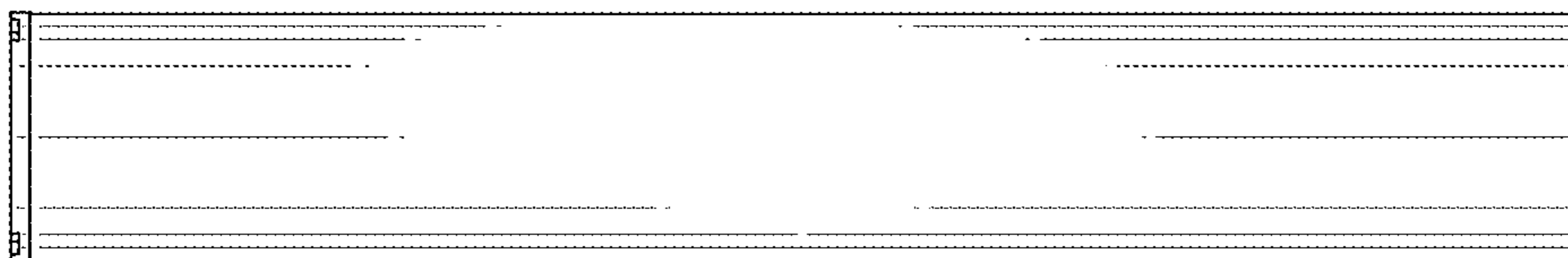


FIG. 7

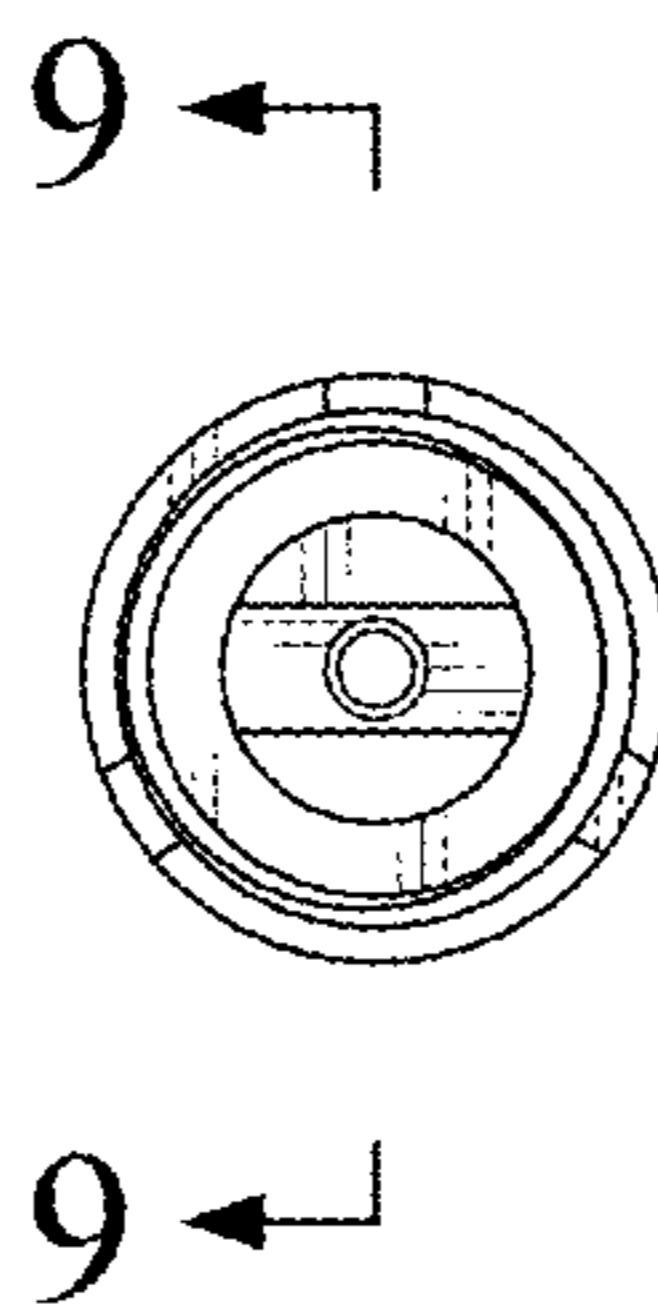


FIG. 8

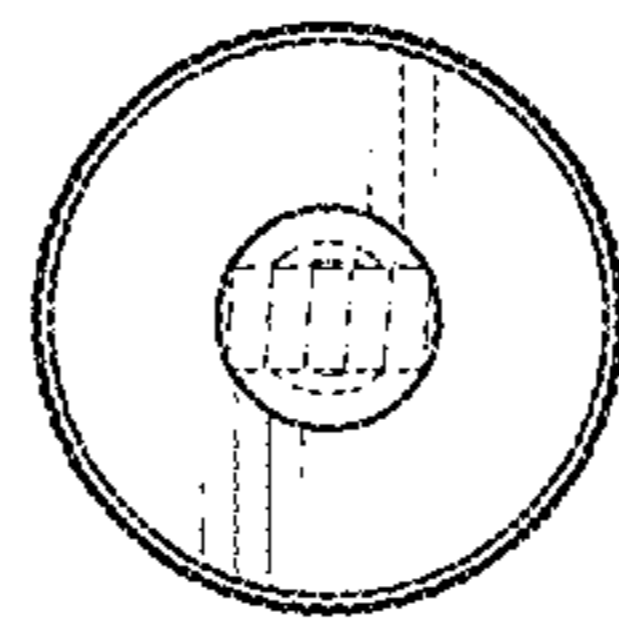


FIG. 9

