



US00D844220S

(12) **United States Design Patent**  
**Brangers et al.**

(10) **Patent No.:** **US D844,220 S**

(45) **Date of Patent:** **\*\* Mar. 26, 2019**

(54) **BASKETBALL LIGHT RAISING AND LOWERING APPARATUS**

(71) Applicant: **Indian Industries, Inc.**, Evansville, IN (US)

(72) Inventors: **Todd Brangers**, Evansville, IN (US);  
**Philip Elpers**, Evansville, IN (US)

(73) Assignee: **Indian Industries, Inc.**, Evansville, IN (US)

(\*\*) Term: **15 Years**

(21) Appl. No.: **29/591,876**

(22) Filed: **Jan. 25, 2017**

(51) **LOC (11) Cl.** ..... **26-05**

(52) **U.S. Cl.**  
USPC ..... **D26/140**

(58) **Field of Classification Search**  
USPC ..... D26/60, 74, 75, 76, 77, 78, 79, 80-85,  
D26/120, 121, 122, 128, 140, 145, 152,  
D26/154, 155  
CPC ..... F21S 2/00; F21S 4/00; F21S 4/003  
See application file for complete search history.

(56) **References Cited**

**U.S. PATENT DOCUMENTS**

243,406 A	6/1881	Sample et al.	
480,470 A	8/1892	Maier	
D177,916 S *	6/1956	Keck	D26/145
4,165,530 A *	8/1979	Sowden	F16M 11/046 248/280.11
4,984,787 A	1/1991	Nesbit et al.	
5,124,899 A	6/1992	Hale	
D333,528 S *	2/1993	Blet	D26/62
D345,027 S *	3/1994	Huang	D26/65
5,305,998 A	4/1994	Nesbit et al.	
D347,291 S *	5/1994	Kramer	D26/102
5,346,207 A	9/1994	Heinen	
5,388,821 A	2/1995	Blackburn	
5,547,185 A	8/1996	Wagner et al.	

D385,052 S \* 10/1997 Huang ..... D26/60  
5,677,896 A 10/1997 Nunes  
5,711,727 A 1/1998 Edge et al.  
D441,476 S \* 5/2001 Mendelsohn ..... D26/63  
6,302,811 B1 10/2001 Topham  
(Continued)

**OTHER PUBLICATIONS**

Australian Examination Report issued in Application No. 201714225, dated Oct. 23, 2017, 4 pgs.

*Primary Examiner* — Mark A Goodwin

*Assistant Examiner* — Benjamin M Weeks

(74) *Attorney, Agent, or Firm* — Woodard, Emhardt, Henry, Reeves & Wagner, LLP; Charles Meyer

(57) **CLAIM**

The ornamental design for a basketball light raising and lowering apparatus, as shown and described.

**DESCRIPTION**

FIG. 1 is a perspective view of the basketball light raising and lowering apparatus in a raised position.

FIG. 2 a perspective view of the basketball light raising and lowering apparatus in a lowered position.

FIG. 3 is right side view of the basketball light raising and lowering apparatus, the left side view is symmetric.

FIG. 4 is a top view of the basketball light raising and lowering apparatus.

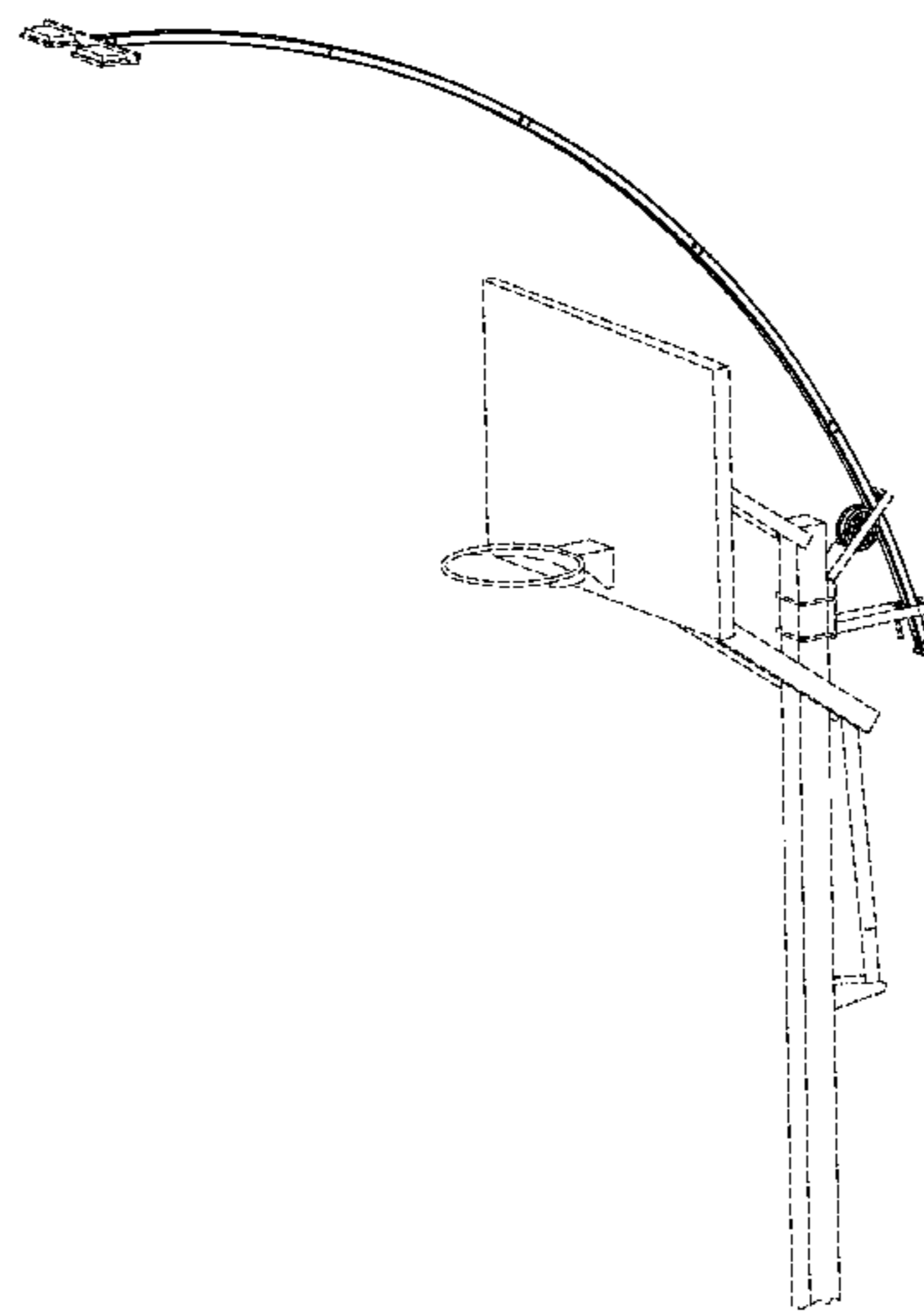
FIG. 5 is a lower view of the basketball light raising and lowering apparatus.

FIG. 6 is a rear view of the basketball light raising and lowering apparatus; and,

FIG. 7 is a front view of the basketball light raising and lowering apparatus.

The broken lines represent portions of the basketball light raising and lower apparatus that form no part of the claimed design.

**1 Claim, 4 Drawing Sheets**



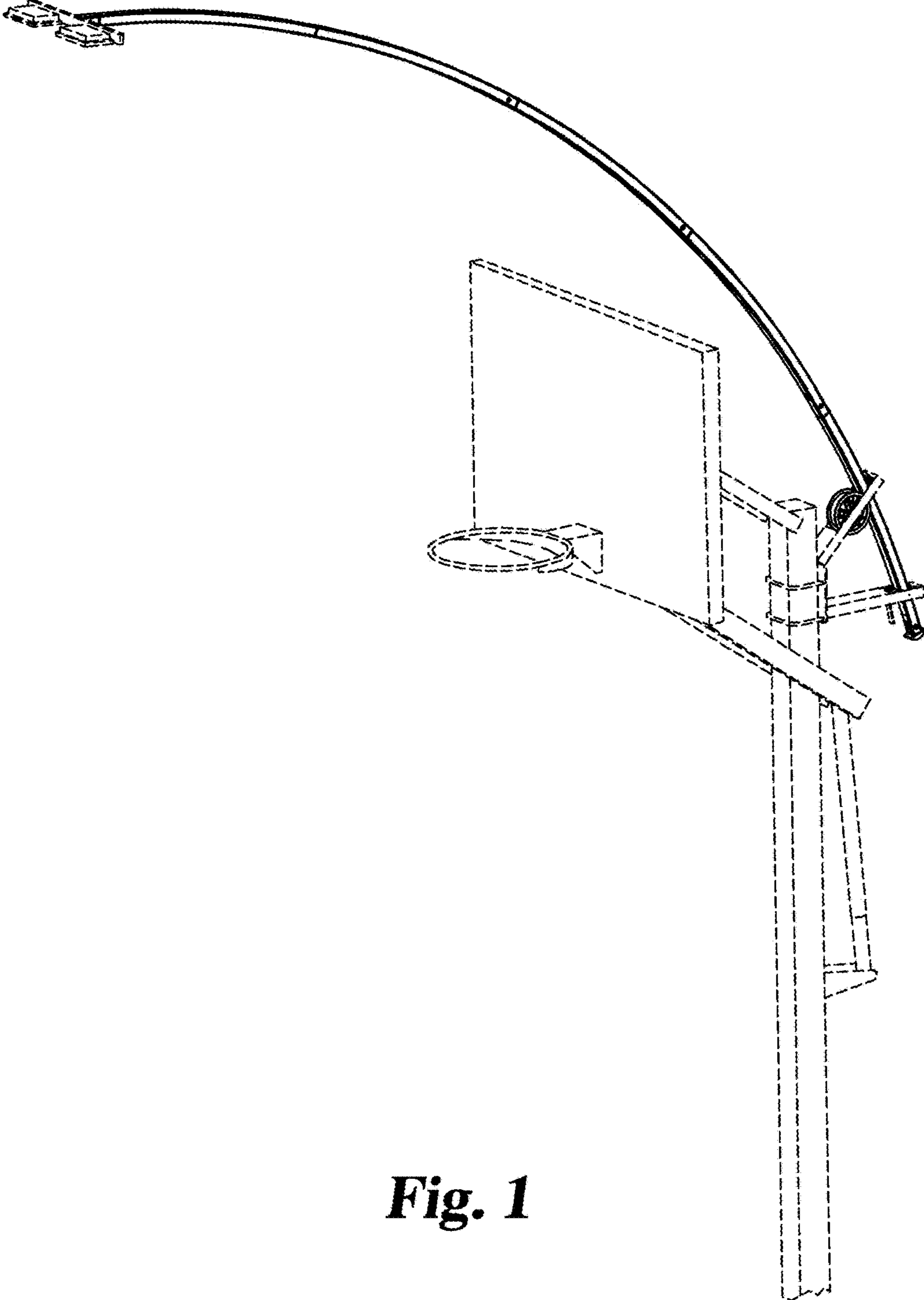
(56)

**References Cited**

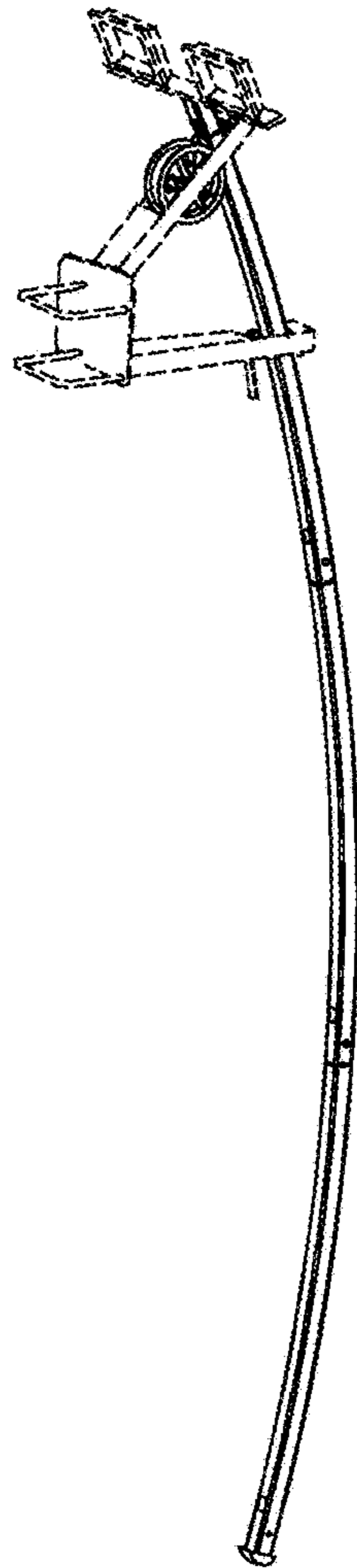
U.S. PATENT DOCUMENTS

6,367,948	B2	4/2002	Branson	
6,626,773	B1	9/2003	Fair	
D517,713	S *	3/2006	Waldmann .....	D26/60
D522,679	S *	6/2006	Hodgson .....	D26/60
7,244,046	B2	7/2007	Webb	
7,393,293	B2	7/2008	Guerzini et al.	
D623,333	S *	9/2010	Huang .....	D26/65
D623,335	S *	9/2010	Huang .....	D26/65
D626,686	S *	11/2010	Daidone .....	D26/145
8,845,151	B1	9/2014	Hale	
D798,496	S *	9/2017	Herft .....	D26/145
2001/0040803	A1	11/2001	Branson	
2002/0094890	A1	7/2002	White et al.	
2003/0137847	A1	7/2003	Cooper	
2007/0297165	A1	12/2007	Watson et al.	
2015/0247603	A1	9/2015	Caswell	

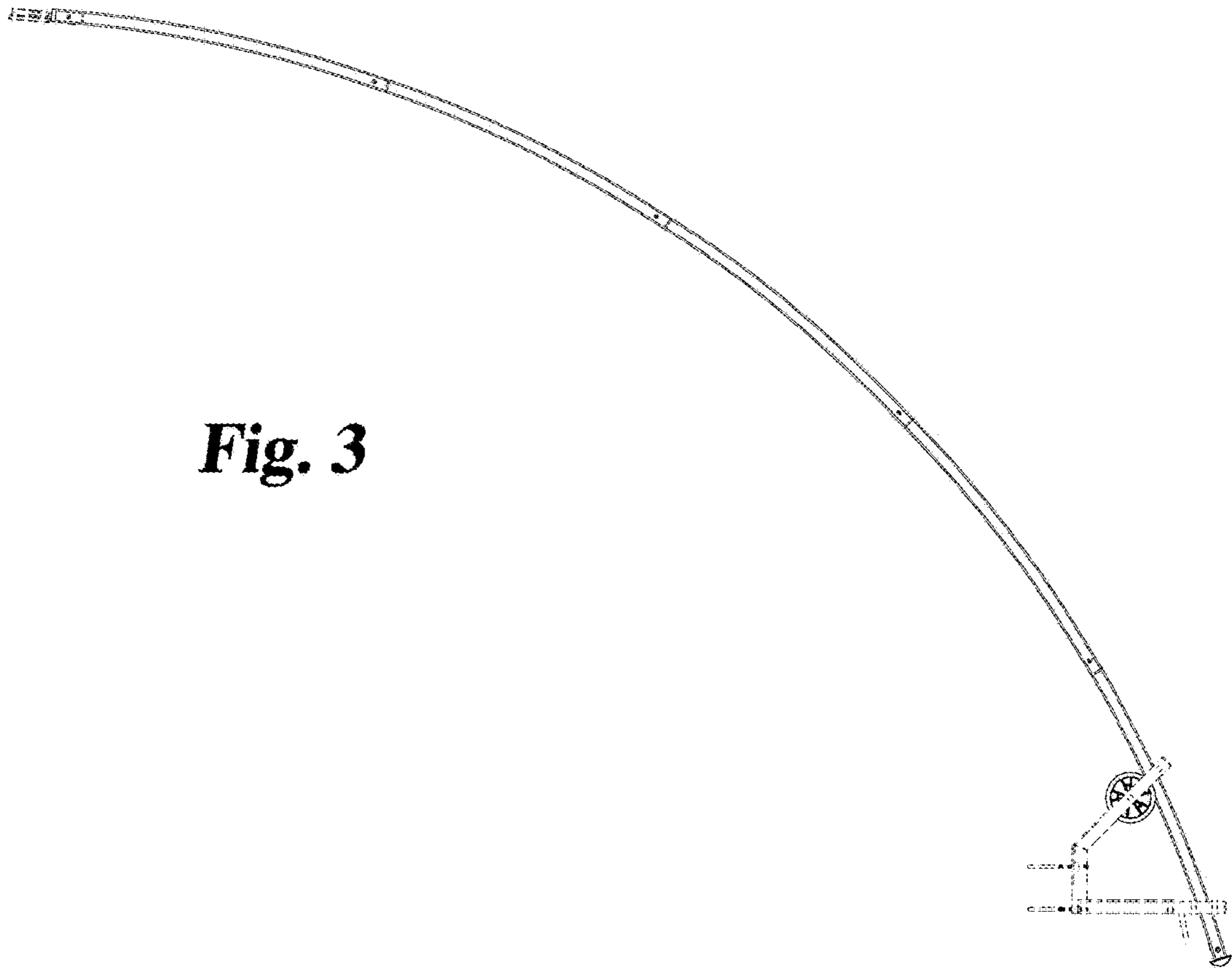
\* cited by examiner



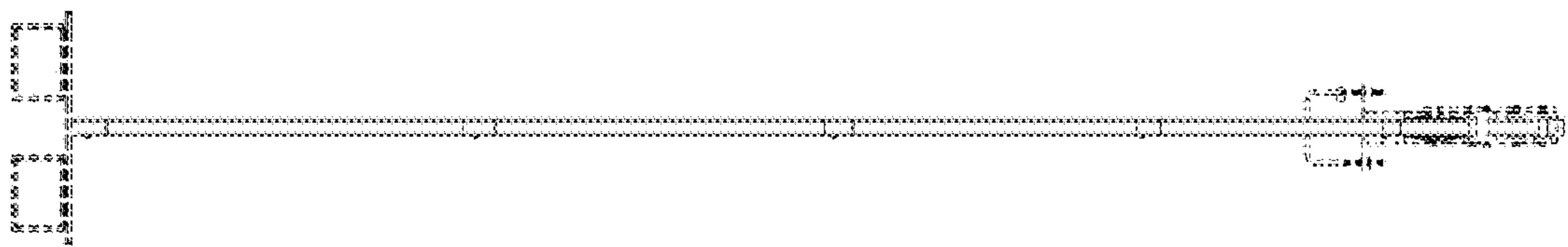
**Fig. 1**



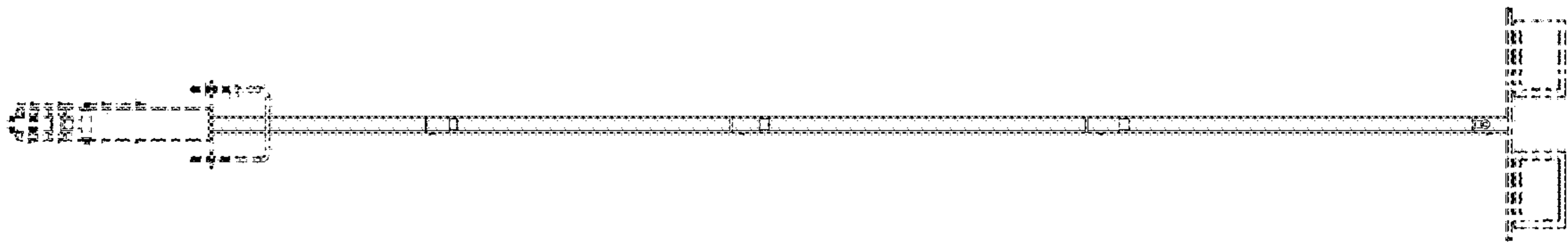
**Fig. 2**



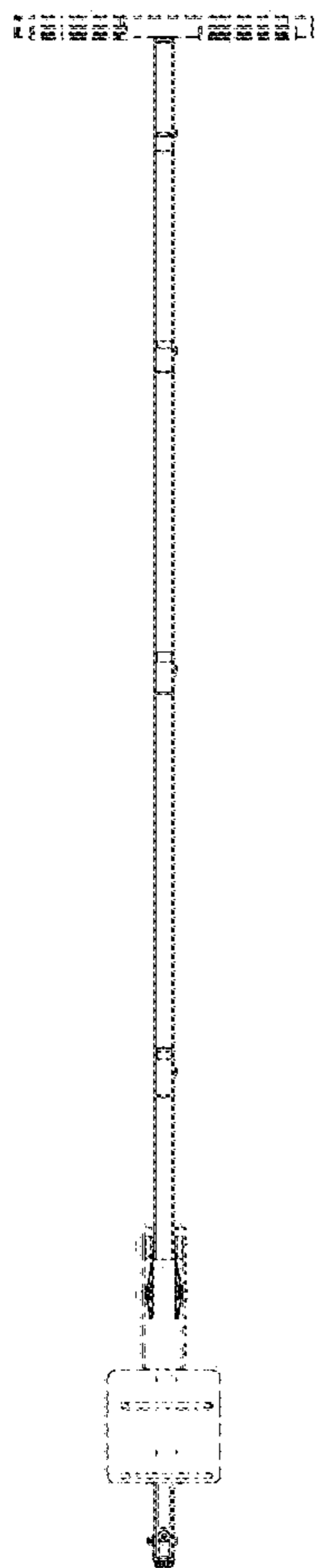
**Fig. 3**



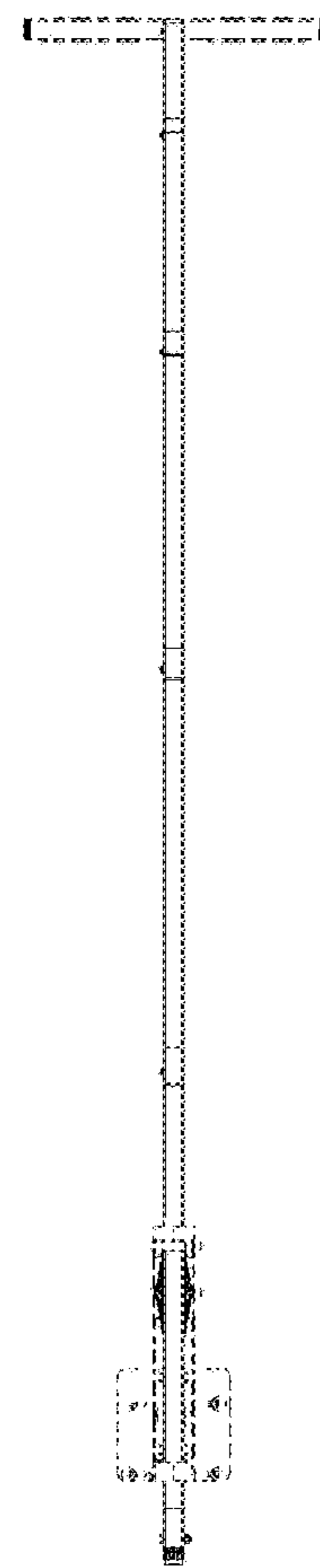
**Fig. 4**



**Fig. 5**



**Fig. 6**



**Fig. 7**