



US00D844219S

(12) **United States Design Patent**  
**Reid**

(10) **Patent No.:** **US D844,219 S**

(45) **Date of Patent:** **\*\* Mar. 26, 2019**

(54) **LIGHTING FIXTURE**

(71) Applicant: **Wendy Reid**, Paddington (AU)

(72) Inventor: **Wendy Reid**, Paddington (AU)

(73) Assignee: **Wendy Reid**, Paddington (AU)

(\*\*) Term: **15 Years**

(21) Appl. No.: **29/556,714**

(22) Filed: **Mar. 2, 2016**

(51) **LOC (11) Cl.** ..... **26-99**

(52) **U.S. Cl.**

USPC ..... **D26/135**; D26/84

(58) **Field of Classification Search**

USPC ..... D26/63, 65, 72, 118, 135, 136

CPC .... F21S 8/04; F21S 8/043; F21S 8/046; F21S

8/06; F21S 8/061; F21S 8/063; F21S

8/065; F21S 6/003; F21V 21/26; F21V

1/16; F21V 1/18; F21V 1/20; F21V 1/22

See application file for complete search history.

(56) **References Cited**

**U.S. PATENT DOCUMENTS**

D3,852 S \* 2/1870 Letchworth ..... D26/135

508,006 A \* 11/1893 Filstrup ..... F21V 21/26

15/144.2

695,022 A \* 3/1902 Albertson ..... F21V 21/26

123/189

D40,329 S \* 11/1909 Sanford ..... D26/136

1,297,763 A \* 3/1919 Wellington ..... F21V 21/26

285/185

1,301,453 A \* 4/1919 Kendall ..... F21V 21/26

184/105.3

1,341,681 A \* 6/1920 Spencer ..... F21V 21/26

285/907

1,596,889 A \* 8/1926 Pfeifer ..... F21V 21/26

403/74

1,863,767 A \* 6/1932 Shapiro ..... F21V 1/16

362/304

2,242,899 A \* 5/1941 Armbruster ..... F21V 21/26

285/273

2,434,986 A \* 1/1948 Bremer ..... B62B 7/08

248/124.1

2,489,100 A \* 11/1949 Marco ..... F16L 27/0841

285/184

2,763,500 A \* 9/1956 Turner ..... F16B 7/00

248/288.51

2,826,440 A \* 3/1958 Robboy ..... F16C 11/04

403/113

D204,792 S \* 5/1966 Collings ..... D26/65

3,736,417 A \* 5/1973 Williams ..... F21S 8/06

248/317

(Continued)

**OTHER PUBLICATIONS**

Natural Stitched Parchment Shade #0460 from Currey & Company.

(C) 2016. www.curreycodealers.com site visited Nov. 26, 2017.

(Year: 2016).\*

(Continued)

*Primary Examiner* — Clare E Heflin

(74) *Attorney, Agent, or Firm* — Fross Zelnick Lehrman

& Zissu, P.C.; Charles T.J. Weigell, Esq.

(57) **CLAIM**

The ornamental design for the lighting fixture, as shown and described.

**DESCRIPTION**

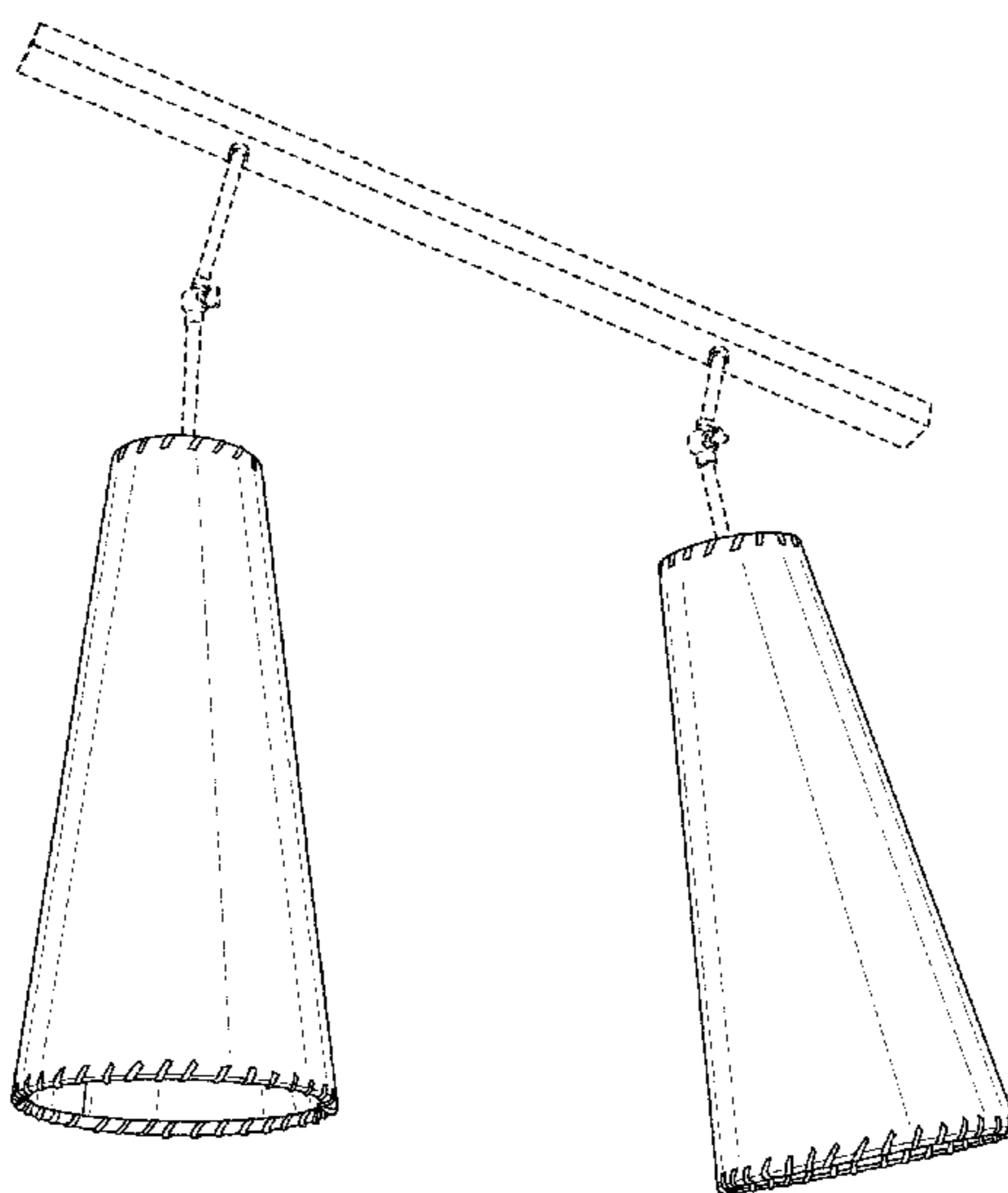
FIG. 1 is a perspective view of a lighting fixture showing my new design;

FIG. 2 is a perspective view of the opposite side thereof; and,

FIG. 3 is a bottom view thereof, showing one of the fixtures omitted for ease of illustration only.

The broken lines shown on the drawings depict portions of the lighting fixture that form no part of the claimed design.

**1 Claim, 3 Drawing Sheets**



(56)

**References Cited**

U.S. PATENT DOCUMENTS

3,761,115 A \* 9/1973 Papasian ..... H02G 3/06  
285/185  
3,778,610 A \* 12/1973 Wolf ..... F21V 21/26  
174/86  
4,548,446 A \* 10/1985 Warshawsky ..... F21V 21/26  
285/185  
5,275,444 A \* 1/1994 Wythoff ..... F16L 27/0849  
285/185  
D383,235 S \* 9/1997 Murch, Sr. .... D26/60  
D400,287 S \* 10/1998 Littman ..... D26/88  
6,190,024 B1 \* 2/2001 Hackett ..... F21V 1/26  
362/351  
D583,975 S \* 12/2008 Kushinskaya ..... D26/63  
D610,729 S \* 2/2010 Kushinskaya ..... D26/63  
8,596,833 B1 \* 12/2013 Cytrynowicz ..... F21V 1/16  
156/218  
D799,736 S \* 10/2017 Hendifar ..... D26/88  
2006/0050517 A1 \* 3/2006 LaFleiche ..... F21V 1/18  
362/351

OTHER PUBLICATIONS

Regular Cone Shade Model No. MLFS004 shown on p. 212 of the  
2017/2018 Mullan Lighting Design & Manufacturing Ltd. catalog.  
(Year: 2018).\*

\* cited by examiner

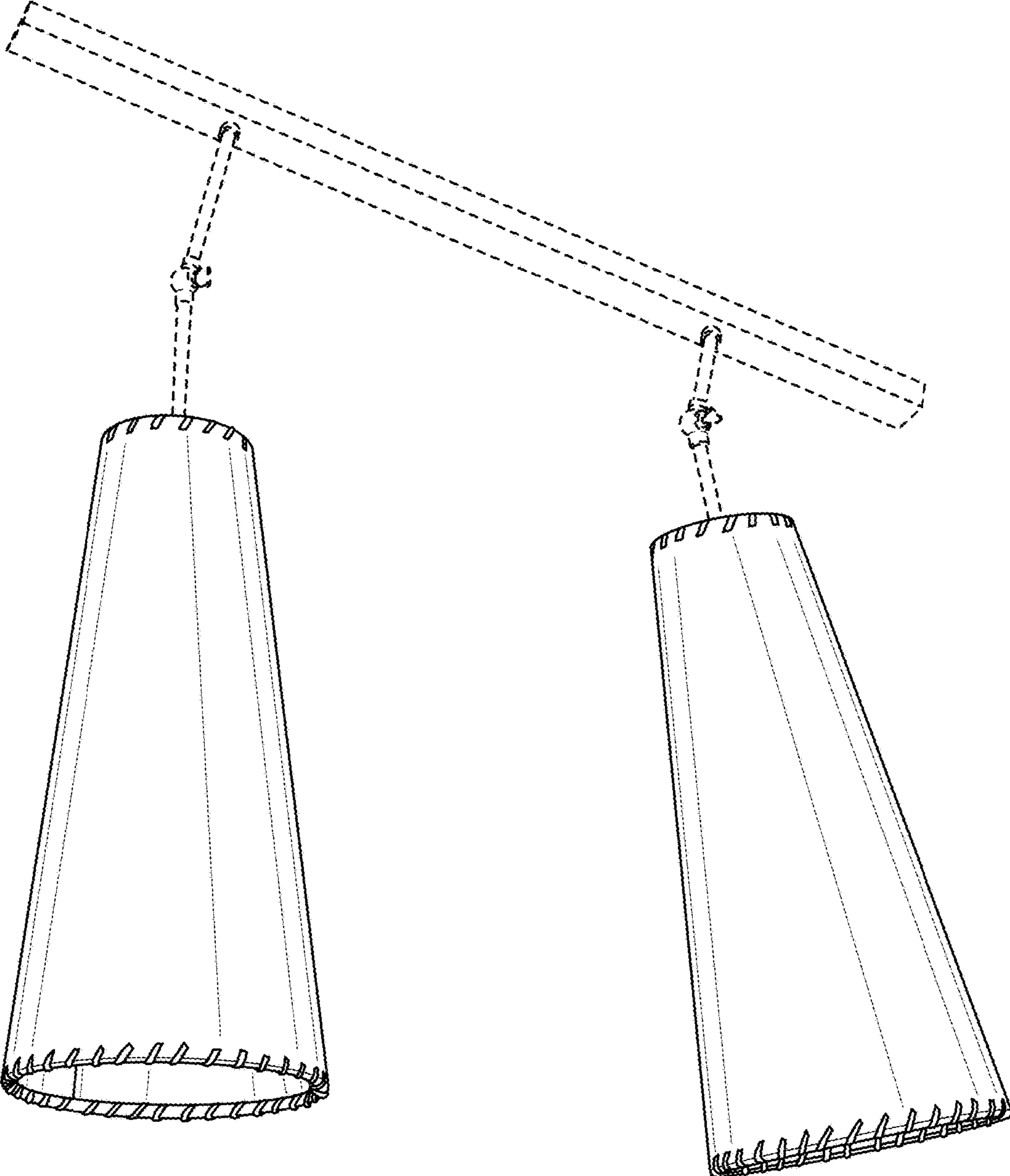


FIG. 1

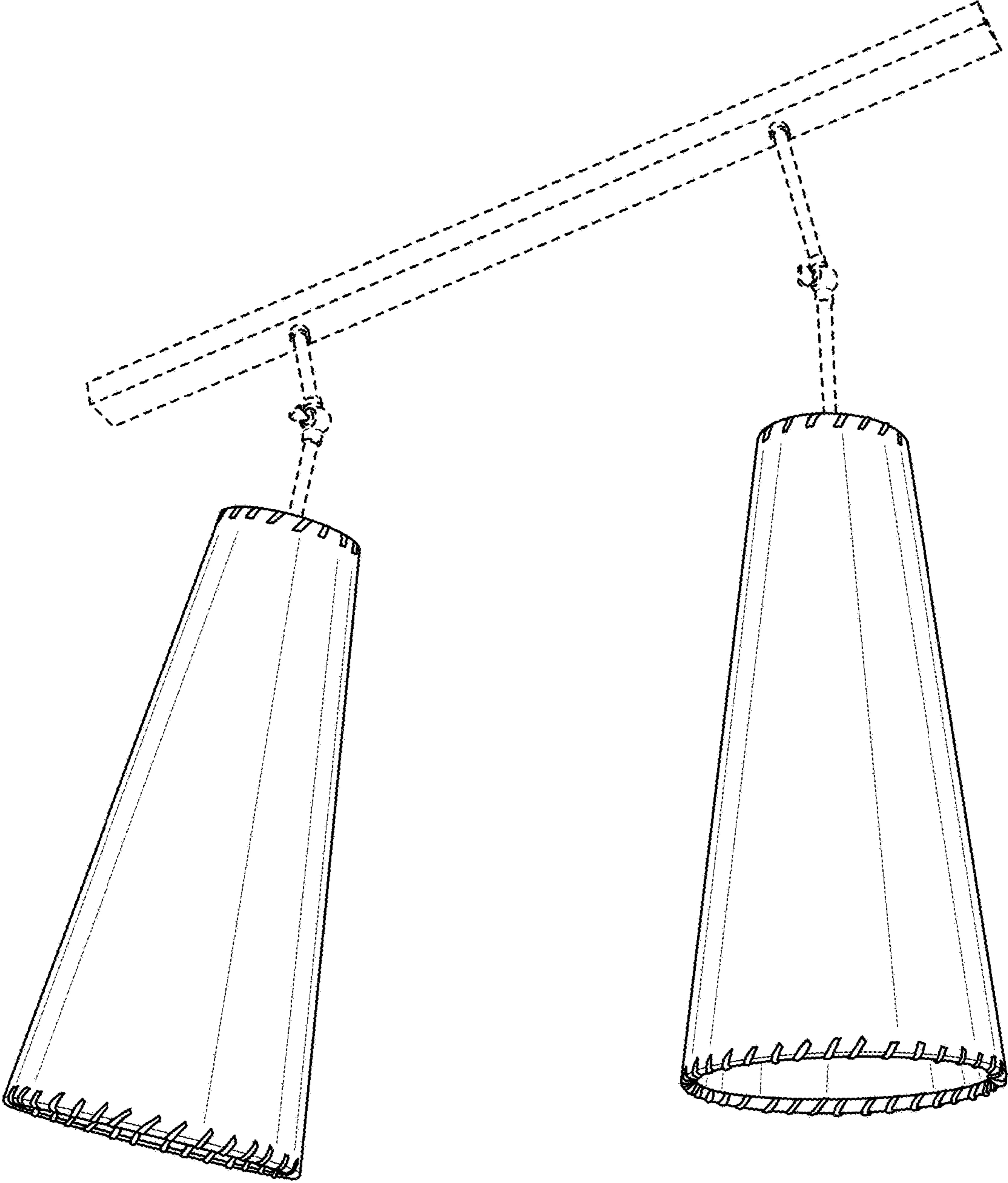


FIG. 2

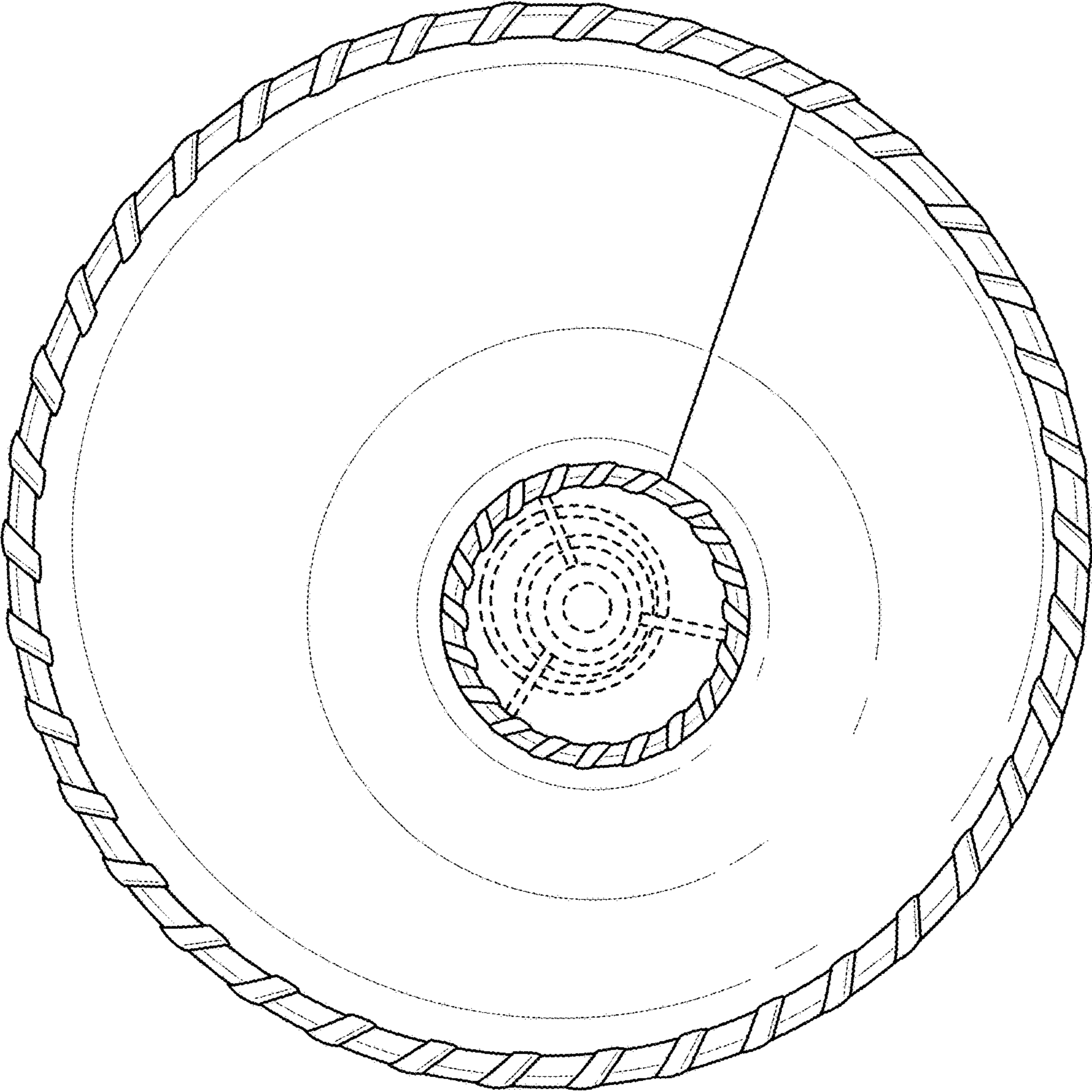


FIG. 3