



US00D844217S

(12) **United States Design Patent**
Muchandi et al.

(10) **Patent No.:** **US D844,217 S**
(45) **Date of Patent:** **** Mar. 26, 2019**

(54) **CASTED HEAT-SINK FOR LED LUMINAIRE**

D685,519 S * 7/2013 Teranishi D26/118
D710,529 S * 8/2014 Lopez D26/113
D812,805 S * 3/2018 Bendtsen D26/113

(71) Applicant: **Appleton Grp LLC**, Rosemont, IL
(US)

* cited by examiner

(72) Inventors: **Sagar R. Muchandi**, Pune (IN);
Vinaya N. Kubsad, Pune (IN); **Karan C. Mandlekar**, Pune (IN); **Bharat Chaturvedi**, Pune (IN)

Primary Examiner — Brian N. Vinson

(74) *Attorney, Agent, or Firm* — McDonnell Boehnen
Hulbert & Berghoff LLP

(73) Assignee: **Appleton Grp LLC**, Rosemont, IL
(US)

(57) **CLAIM**

(**) Term: **15 Years**

The ornamental design for a casted heat-sink for LED luminaire, as shown and described.

(21) Appl. No.: **29/632,825**

(22) Filed: **Jan. 10, 2018**

DESCRIPTION

(30) **Foreign Application Priority Data**

Sep. 29, 2017 (IN) 298024

(51) **LOC (11) Cl.** **26-99**

(52) **U.S. Cl.**
USPC **D26/113**

(58) **Field of Classification Search**
USPC D13/179; D26/1, 24, 72, 113
CPC F28D 1/0246; F28D 1/0426; F28D 15/02;
F28D 15/0266; F28D 15/0275; F28D
15/04; F28F 13/003; F28F 13/12; F04D
25/0613; F04D 25/068; F04D 29/281422;
F21V 29/2293; F21V 29/2231; F21V
29/74; F21V 29/83; F21V 5/045; F21V
5/04; F21V 7/00

See application file for complete search history.

FIG. 1 is a perspective top view of a casted heat-sink for LED Luminaire having the inventive design;
FIG. 2 is a front view of the casted heat-sink for LED luminaire shown in FIG. 1;
FIG. 3 is a rear view of the casted heat-sink for LED luminaire shown in FIG. 1;
FIG. 4 is a left side view of the casted heat-sink for LED luminaire shown in FIG. 1;
FIG. 5 is a right side view of the casted heat-sink for LED luminaire shown in FIG. 1;
FIG. 6 is a top view of the casted heat-sink for LED luminaire shown in FIG. 1; and,
FIG. 7 is a bottom view of the casted heat-sink for LED luminaire shown in FIG. 1.

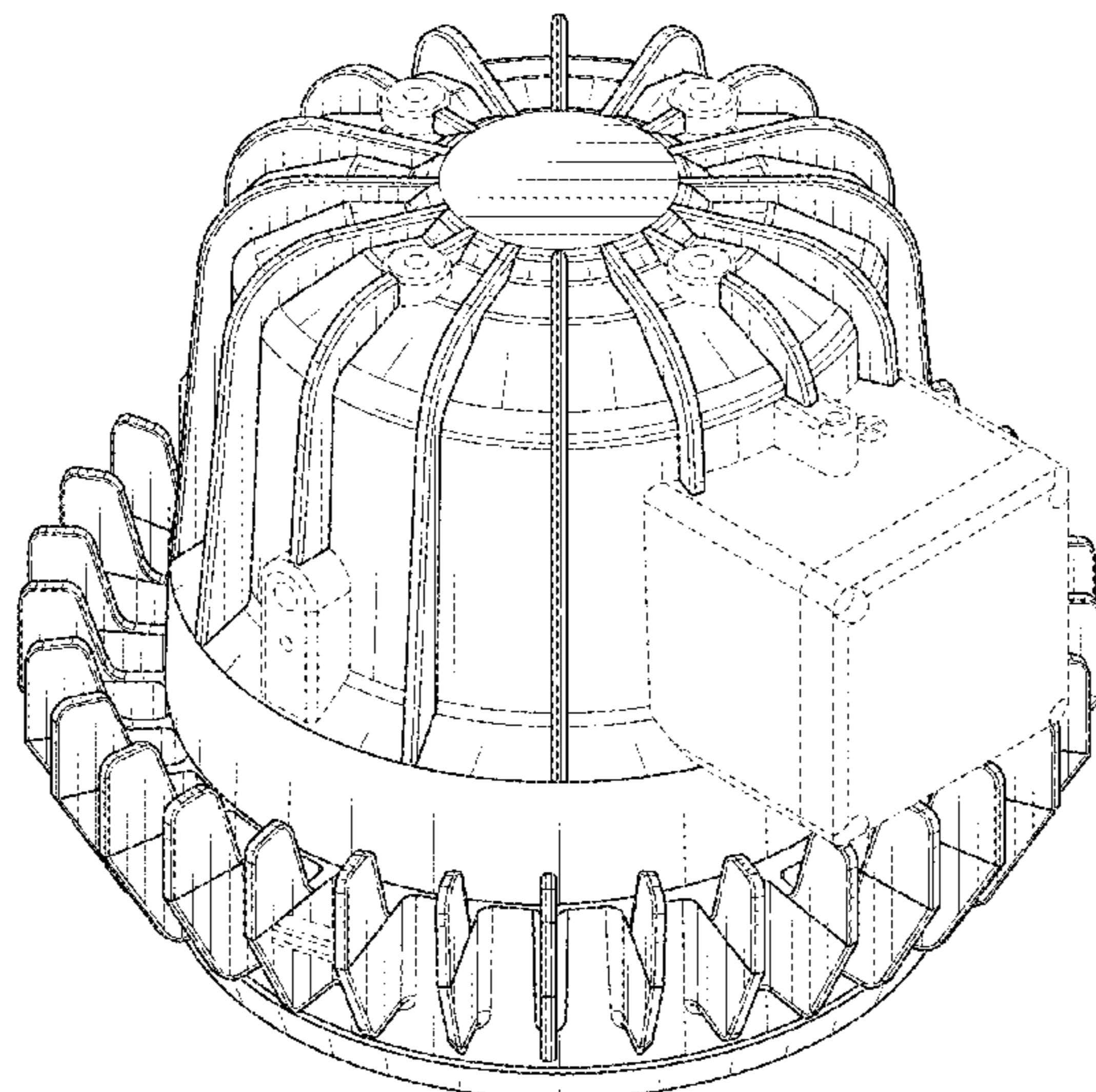
The broken line disclosure represents portions of the casted heat-sink for LED luminaire which forms no part of the claimed design.

(56) **References Cited**

U.S. PATENT DOCUMENTS

D586,498 S * 2/2009 Wu D26/118
D597,246 S * 7/2009 Meyer, IV D26/113
D672,905 S * 12/2012 Kong D26/113

1 Claim, 5 Drawing Sheets



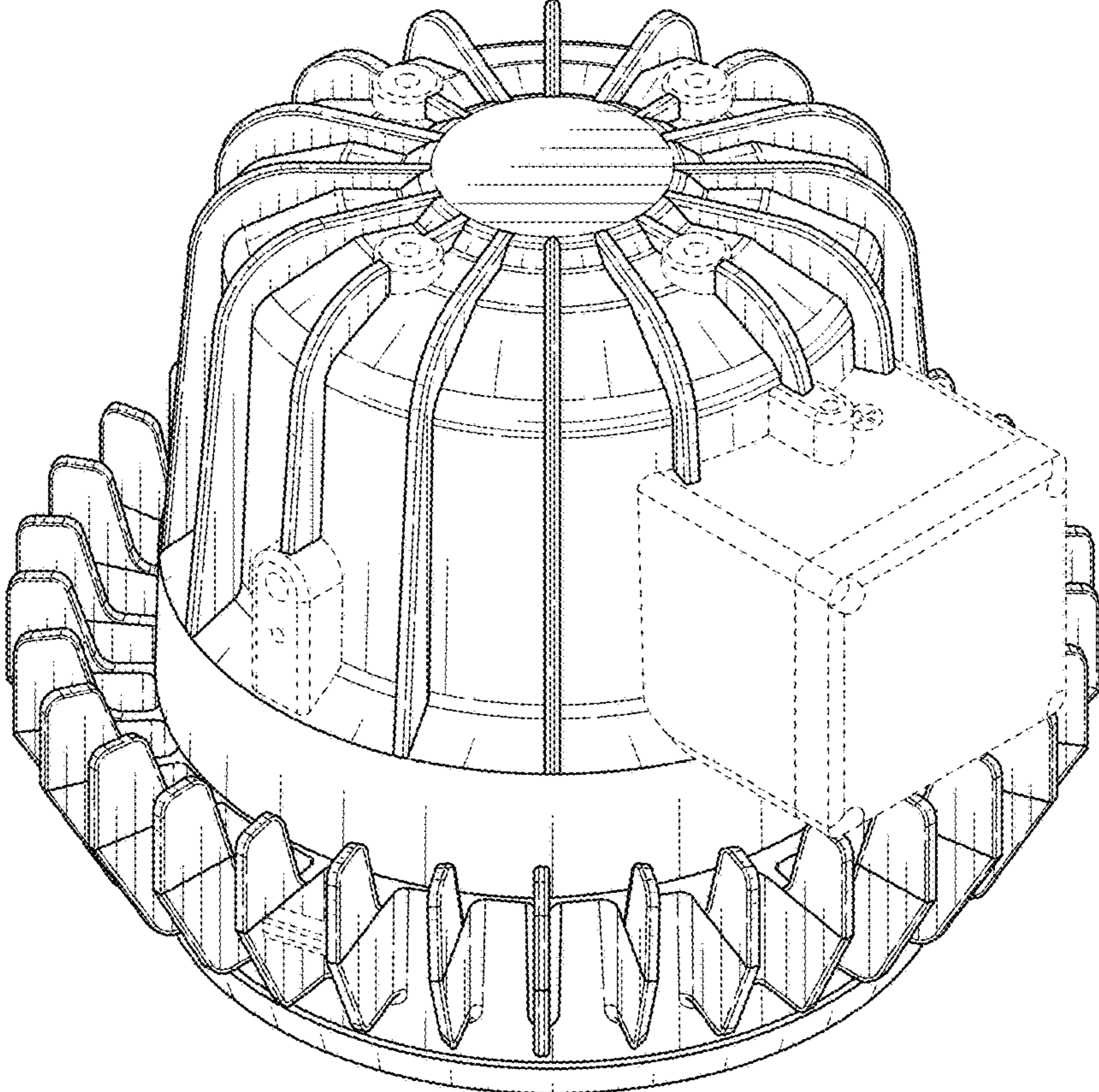


FIG. 1

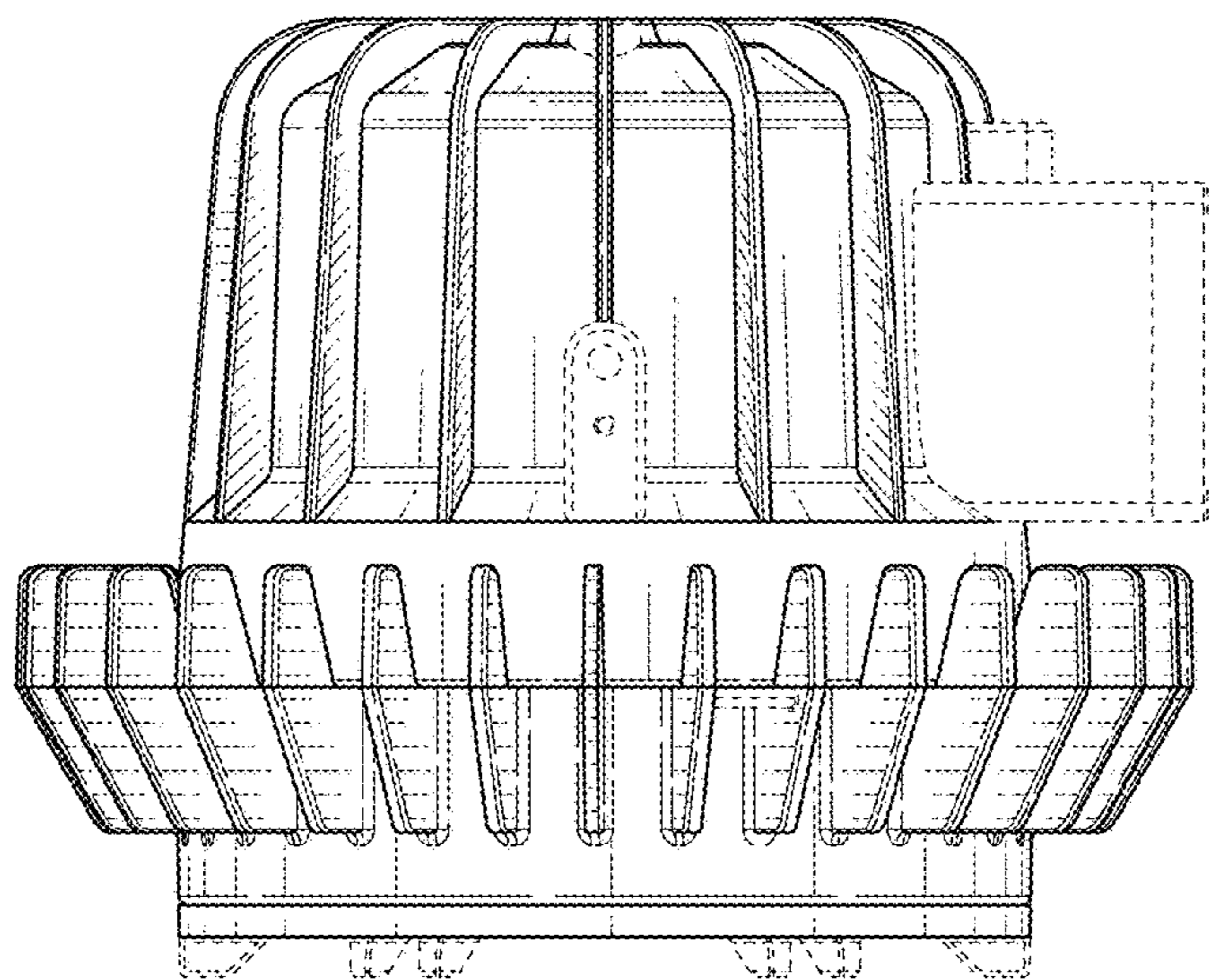


FIG. 2

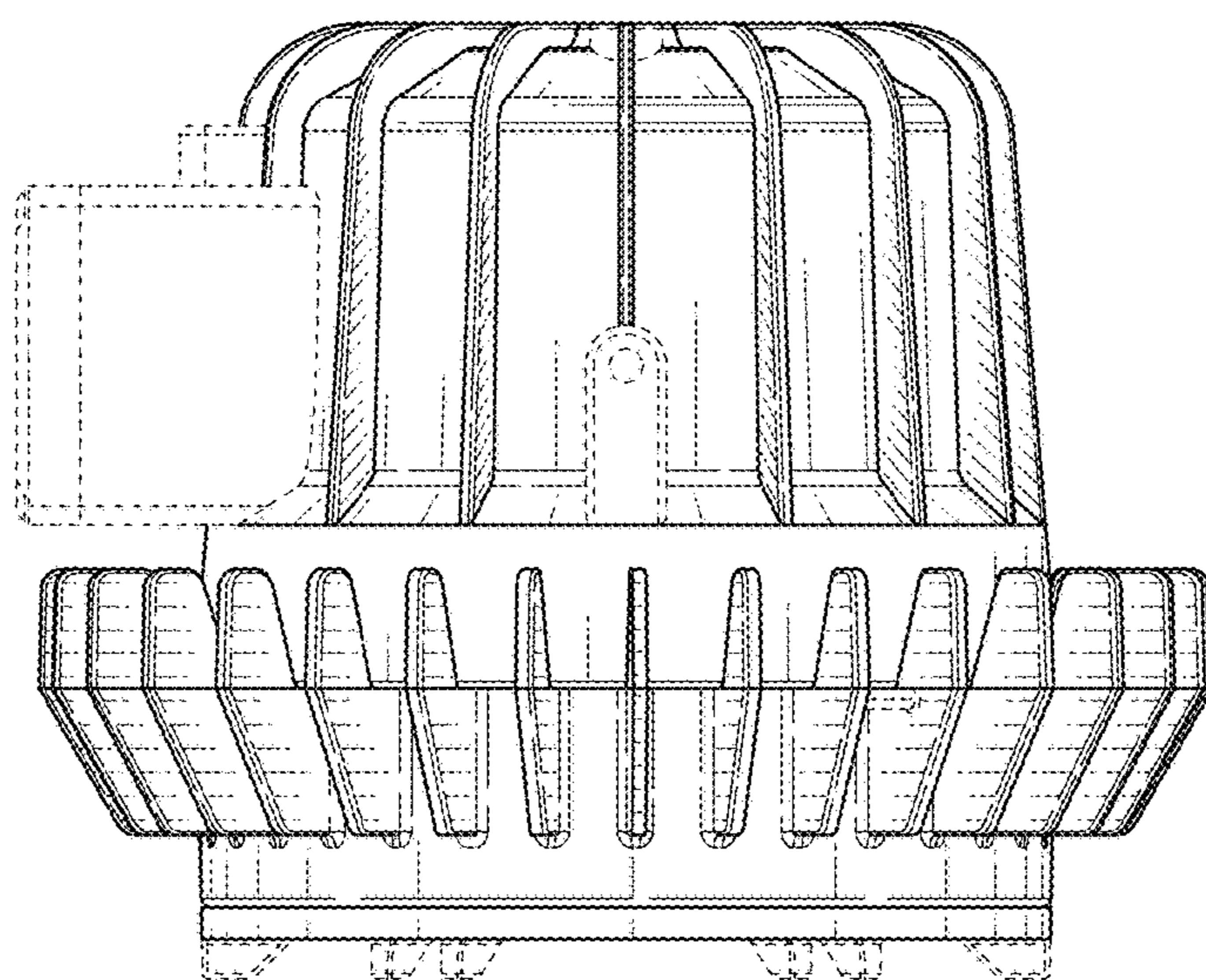


FIG. 3

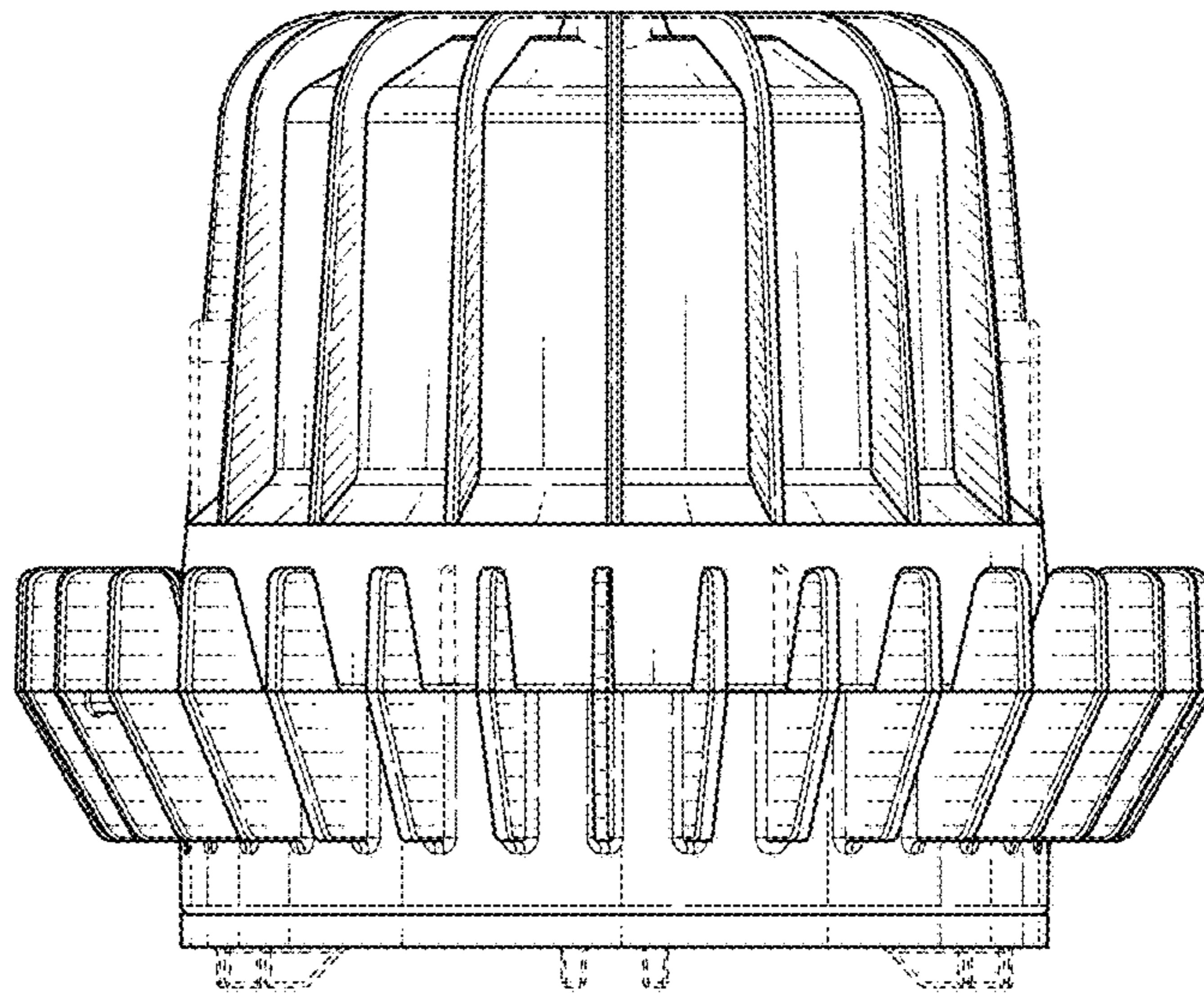


FIG. 4

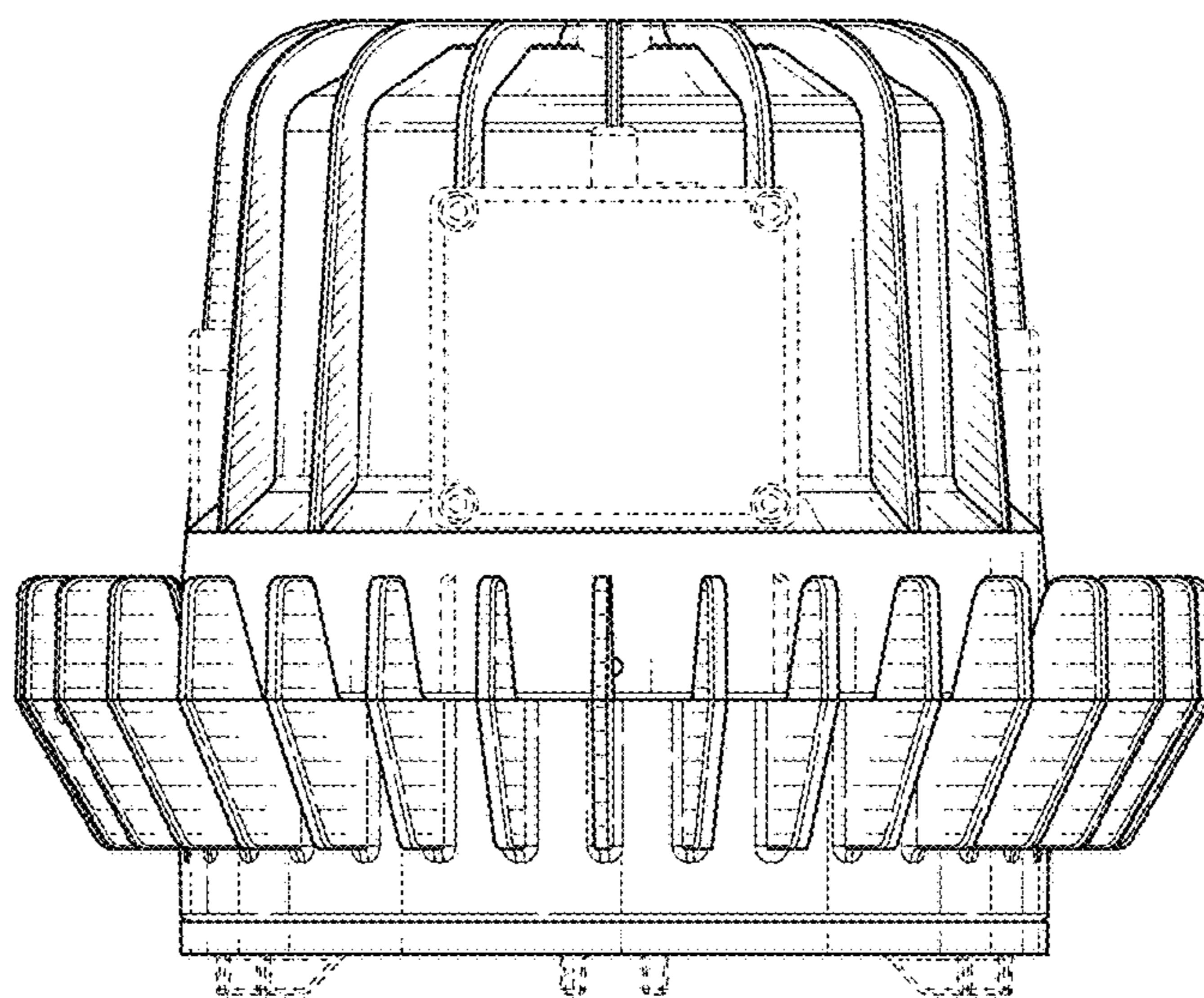


FIG. 5

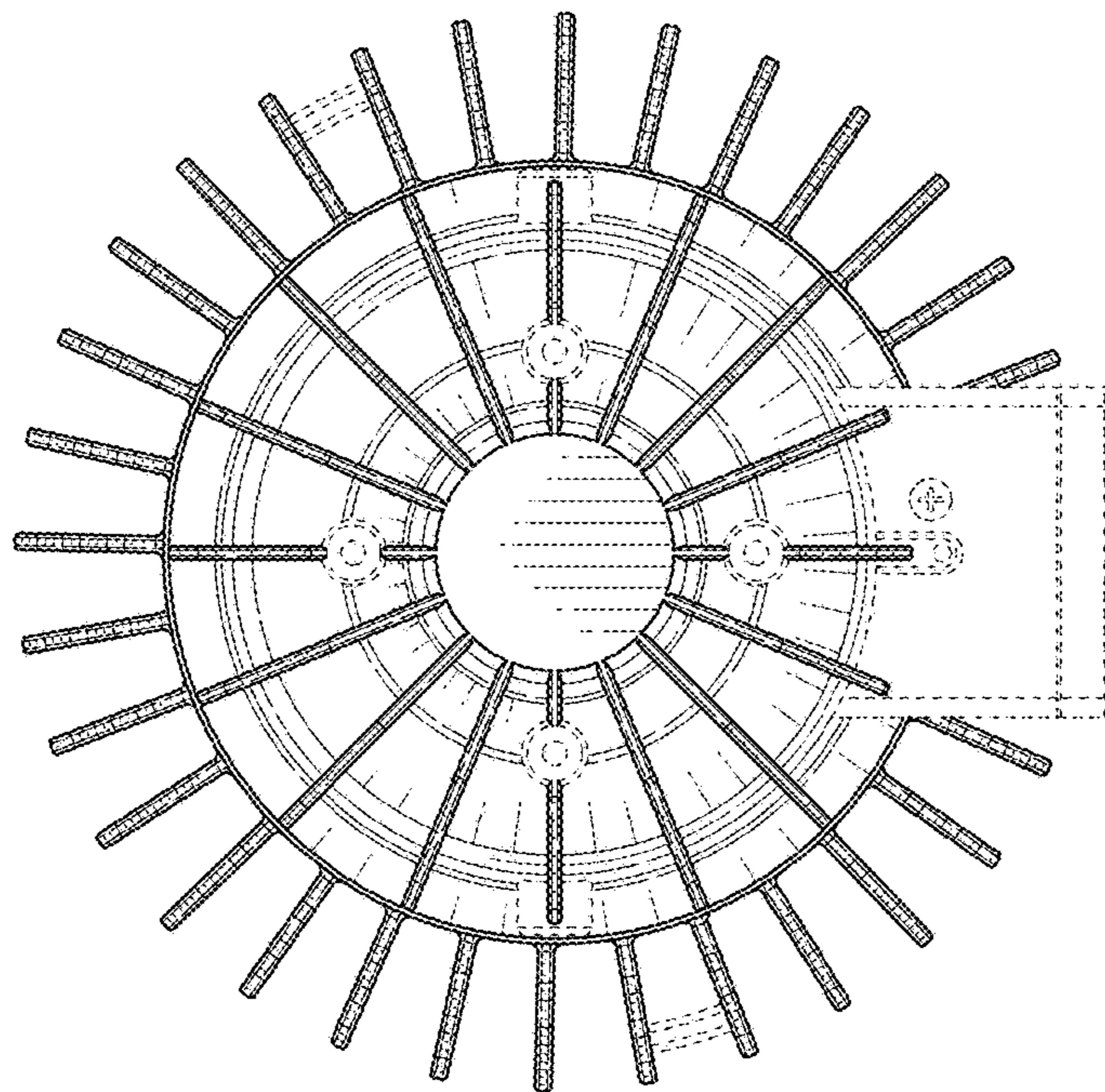


FIG. 6

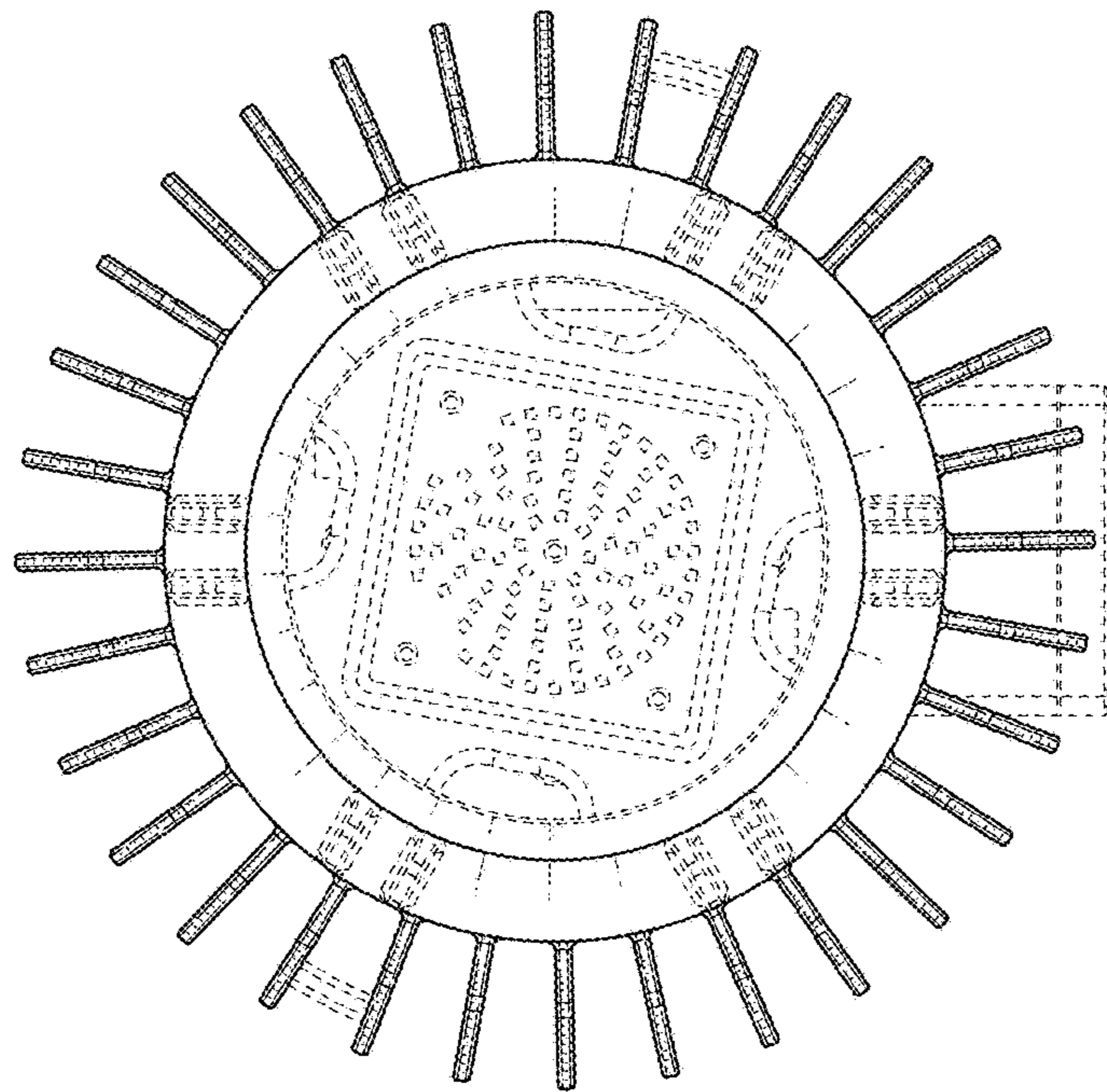


FIG. 7