



US00D844216S

(12) **United States Design Patent**  
**Akiyama**

(10) **Patent No.:** **US D844,216 S**  
(45) **Date of Patent:** **\*\* Mar. 26, 2019**

(54) **DRIVER HOUSING**

- (71) Applicant: **KENALL MANUFACTURING COMPANY**, Kenosha, WI (US)
- (72) Inventor: **Steven Akiyama**, New Lenox, IL (US)
- (73) Assignee: **KENALL MANUFACTURING COMPANY**, Kenosha, WI (US)
- (\*\*) Term: **15 Years**
- (21) Appl. No.: **29/624,221**

(22) Filed: **Oct. 31, 2017**

**Related U.S. Application Data**

(60) Continuation of application No. 29/538,281, filed on Sep. 2, 2015, now Pat. No. Des. 805,240, which is a division of application No. 29/475,909, filed on Dec. 9, 2013, now Pat. No. Des. 742,581.

(51) **LOC (11) Cl.** ..... **26-04**

(52) **U.S. Cl.**

USPC ..... **D26/113**

(58) **Field of Classification Search**

USPC ... D26/9, 10, 12, 13, 15, 16, 24, 51, 61, 72, D26/76, 80, 81, 85, 86, 88, 90, 113, 118, D26/119, 120, 122, 128, 129, 138, 143, D26/144; D13/180; D10/18, 21, 24, 25, D10/27, 28, 46, 93, 104.1

CPC .... B60Q 1/04; B60Q 1/26; F21S 8/026; F21S 8/04; F21V 29/004; F21V 21/02; F21V 21/04; F21V 29/2212; F21Y 2101/02

See application file for complete search history.

(56) **References Cited**

**U.S. PATENT DOCUMENTS**

- 2,579,662 A 12/1951 Gibson
- 3,263,071 A \* 7/1966 Fabbri ..... F21V 17/00  
362/355
- 3,755,667 A \* 8/1973 Price ..... F21S 8/02  
362/147
- 3,793,930 A 2/1974 Constantinescu et al.

(Continued)

**OTHER PUBLICATIONS**

pc-TR-w400—TinEye, image post date Feb. 6, 2018, site visited Aug. 2, 2018, (online), <[https://www.tineye.com/search/1f785bd7fe8dcaf9693246fea405e212dfad9ebc/?extension\\_ver=>](https://www.tineye.com/search/1f785bd7fe8dcaf9693246fea405e212dfad9ebc/?extension_ver=>)>.\*

(Continued)

*Primary Examiner* — Kevin K Rudzinski

(74) *Attorney, Agent, or Firm* — Marshall, Gerstein & Borun LLP

(57) **CLAIM**

The ornamental design for a driver housing, as shown and described.

**DESCRIPTION**

FIG. 1 is a perspective view showing a new design for a driver housing;

FIG. 2 is a front elevation view of the driver housing of FIG. 1;

FIG. 3 is a rear elevation view of the driver housing of FIG. 1;

FIG. 4 is a left-side elevation view of the driver housing of FIG. 1;

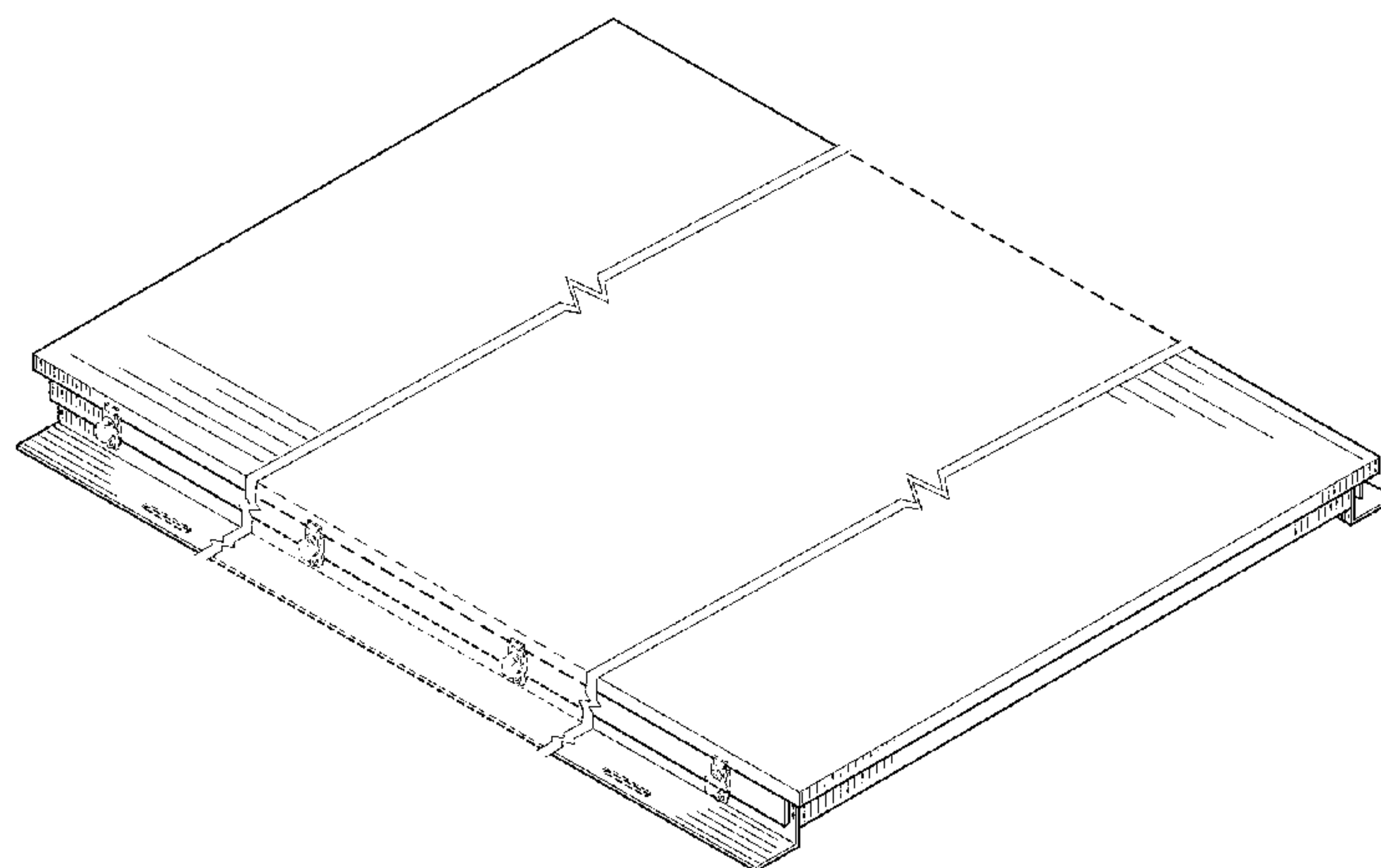
FIG. 5 is a right-side elevation view of the driver housing of FIG. 1;

FIG. 6 is a top plan view of the driver housing of FIG. 1; and, FIG. 7 is a bottom plan view of the driver housing of FIG. 1.

The driver housing is shown with a break in the middle of the design. The portions of the design not shown form no part of the claimed design.

The dashed lines showing portions of the driver housing are included for the purpose of illustrating environment and form no part of the claimed design.

**1 Claim, 5 Drawing Sheets**





(56)

## References Cited

## U.S. PATENT DOCUMENTS

- 4,048,491 A \* 9/1977 Wessman ..... F21V 21/04  
248/343
- 4,762,160 A 8/1988 Bechtold et al.
- D311,497 S \* 10/1990 Vincent, Sr. .... D10/75
- 5,023,396 A \* 6/1991 Bartee ..... H02G 3/185  
174/486
- 5,301,090 A 4/1994 Hed
- D363,884 S \* 11/1995 Reede ..... D10/65
- D372,968 S 8/1996 White
- 5,738,436 A 4/1998 Cummings et al.
- 5,792,214 A \* 8/1998 Larsson ..... A61N 5/0621  
362/130
- 5,806,972 A \* 9/1998 Kaiser ..... F21S 8/02  
362/290
- D400,281 S \* 10/1998 Kerr ..... D26/74
- D412,564 S 8/1999 Pustelnik
- 6,039,582 A \* 3/2000 Geis ..... H01R 4/4818  
336/90
- D427,533 S \* 7/2000 Cowan ..... D10/46
- 6,197,444 B1 3/2001 Vackar
- 6,201,885 B1 \* 3/2001 Hodgson ..... G01B 11/28  
209/576
- 6,232,553 B1 \* 5/2001 Regen ..... H02G 3/083  
174/350
- 6,375,338 B1 4/2002 Cummings et al.
- D456,787 S \* 5/2002 Wasada ..... D13/182
- D465,463 S 11/2002 Wasada et al.
- 6,493,224 B1 12/2002 Mottahed
- 6,565,238 B1 \* 5/2003 Pyrtle ..... F21S 8/02  
362/218
- D482,662 S 11/2003 Foster et al.
- 7,102,172 B2 9/2006 Lynch et al.
- D552,451 S 10/2007 Yashar
- D585,581 S \* 1/2009 Purcell ..... D26/76
- D599,485 S 9/2009 Burrows et al.
- D613,243 S 4/2010 Burt
- D618,327 S 6/2010 Rupikowski
- D621,016 S 8/2010 Garcia
- D627,824 S 11/2010 Nakayama et al.
- D628,718 S \* 12/2010 Grubka ..... D25/141
- D631,431 S 1/2011 DeFelice
- 7,918,591 B2 4/2011 Lynch
- D638,367 S 5/2011 Isaacks et al.
- D647,239 S \* 10/2011 Beghelli ..... D26/74
- D654,211 S 2/2012 Melzner et al.
- 8,128,256 B2 \* 3/2012 Kim ..... F21S 8/026  
362/235
- D660,252 S \* 5/2012 Hargreaves ..... D13/156
- D664,699 S 7/2012 Nakahira et al.
- D671,251 S 11/2012 Piepgras et al.
- D673,712 S \* 1/2013 Patel ..... D26/74
- D679,036 S 3/2013 Inoue
- 8,556,453 B1 \* 10/2013 Crane ..... F21S 8/026  
362/217.01
- D695,443 S \* 12/2013 Kaule ..... D26/76
- D697,022 S 1/2014 Truthseeker et al.
- D698,974 S \* 2/2014 Aniserowicz ..... D26/74
- D699,386 S \* 2/2014 Park ..... D26/118
- D703,305 S 4/2014 Stollenwerk O'Hagin
- D707,880 S \* 6/2014 Magnusson ..... D26/120
- D715,800 S 10/2014 Cornelison
- D726,359 S \* 4/2015 Grigore ..... D26/74
- D730,556 S \* 5/2015 Toyohisa ..... D26/74
- 9,028,091 B2 \* 5/2015 Holland ..... F21V 7/005  
362/218
- D732,225 S \* 6/2015 Grandsart ..... D26/75
- 9,062,838 B1 \* 6/2015 Merrill, Jr. .... F21S 8/026
- 9,074,743 B2 \* 7/2015 Heim ..... F21S 8/04
- 9,134,014 B2 9/2015 Lyu et al.
- D742,581 S \* 11/2015 Akiyama ..... D26/113
- D745,000 S 12/2015 Lim
- 9,249,571 B1 2/2016 White
- D754,083 S \* 4/2016 Vinciarelli ..... D13/182
- D754,658 S 4/2016 Sumii
- 9,310,066 B2 \* 4/2016 Dahlen ..... F21V 29/503
- 9,322,518 B1 \* 4/2016 Steedly ..... F16B 1/00
- D760,230 S 6/2016 Iizuka et al.
- D760,990 S 7/2016 Baker et al.
- 9,414,456 B2 8/2016 Wong et al.
- 9,453,639 B2 \* 9/2016 Mandy ..... F21S 8/026
- D769,810 S 10/2016 Lin
- D769,834 S \* 10/2016 Kawase ..... D13/182
- D772,172 S 11/2016 Takano et al.
- 9,481,300 B1 \* 11/2016 Lutawan ..... B60Q 9/008
- 9,482,410 B2 \* 11/2016 Lee ..... H01L 25/0753
- D773,409 S 12/2016 Rodarte et al.
- D773,413 S 12/2016 Yoneyama et al.
- D774,451 S 12/2016 Castillo-Aguilella et al.
- D774,874 S 12/2016 Wentzel et al.
- D775,093 S 12/2016 Vinciarelli et al.
- D776,853 S \* 1/2017 Akiyama ..... D26/74
- D777,122 S \* 1/2017 Bergmann ..... D13/180
- D777,124 S 1/2017 Hasegawa et al.
- 9,534,739 B2 \* 1/2017 Lay ..... F21V 25/12
- 9,544,973 B2 1/2017 Dahlen
- D778,833 S 2/2017 Li et al.
- D778,852 S 2/2017 Matsumoto et al.
- D780,359 S 2/2017 Chen et al.
- D780,362 S \* 2/2017 Akiyama ..... D26/74
- D782,106 S 3/2017 Porciatti
- D783,549 S \* 4/2017 Yoneyama ..... D13/182
- D783,550 S \* 4/2017 Hasegawa ..... D13/182
- D784,339 S \* 4/2017 Liao ..... D14/433
- D784,593 S \* 4/2017 Ambrozus ..... D26/74
- D785,577 S \* 5/2017 Kawase ..... D13/182
- D785,616 S 5/2017 Zimmermann et al.
- D786,203 S \* 5/2017 Ide ..... D13/180
- D786,859 S 5/2017 Kim et al.
- D789,589 S \* 6/2017 Yorio ..... D26/76
- D789,718 S \* 6/2017 Gokhale ..... D6/705
- D791,344 S \* 7/2017 Lamberts ..... D25/109
- D794,867 S \* 8/2017 Yulin ..... D26/138
- D796,110 S \* 8/2017 Klus ..... D26/138
- D796,661 S \* 9/2017 Oswald, Jr. .... D23/388
- D797,321 S \* 9/2017 Liu ..... D26/1
- D801,570 S \* 10/2017 Grandsart ..... D26/76
- 9,816,694 B2 \* 11/2017 Dahlen ..... F21V 23/008
- D805,240 S \* 12/2017 Akiyama ..... D26/113
- D805,680 S \* 12/2017 Akiyama ..... D26/113
- D806,013 S \* 12/2017 Mascolo ..... D13/102
- D808,069 S \* 1/2018 Kjaergaard Toft ..... D26/152
- D808,348 S \* 1/2018 Lengua ..... D13/180
- 9,874,343 B2 \* 1/2018 Dahlen ..... F21V 29/503
- D809,702 S \* 2/2018 Drew ..... D26/118
- D810,553 S \* 2/2018 Amato ..... D8/377
- 9,897,305 B2 \* 2/2018 Ryder ..... F21V 31/005
- D822,883 S \* 7/2018 Stanley ..... D26/118
- D824,243 S \* 7/2018 Ruhnke ..... D8/356
- 2004/0082209 A1 4/2004 Zenaboni
- 2004/0105264 A1 6/2004 Spero
- 2007/0076459 A1 4/2007 Limpkin
- 2007/0247850 A1 \* 10/2007 Hawkins ..... F21V 25/00  
362/267
- 2009/0073692 A1 3/2009 Berger et al.
- 2009/0196023 A1 \* 8/2009 Heiking ..... F21S 8/026  
362/147
- 2009/0196024 A1 \* 8/2009 Heiking ..... F21S 8/026  
362/150
- 2009/0290343 A1 11/2009 Brown et al.
- 2010/0085748 A1 4/2010 Kelly et al.
- 2010/0110684 A1 5/2010 Abdelsamed et al.
- 2010/0142202 A1 6/2010 Sugishita et al.
- 2010/0280677 A1 11/2010 Budike, Jr.
- 2011/0164411 A1 7/2011 Sparing et al.
- 2011/0273877 A1 11/2011 Reed et al.
- 2012/0159821 A1 6/2012 Miletich et al.
- 2012/0176795 A1 7/2012 Lynch
- 2012/0217882 A1 8/2012 Wong et al.
- 2012/0249016 A1 10/2012 Smith
- 2012/0293086 A1 11/2012 Ishikita et al.
- 2012/0294000 A1 11/2012 Thomas et al.
- 2013/0003373 A1 1/2013 Hamby et al.
- 2013/0027935 A1 1/2013 Ladewig et al.

(56)

References Cited

U.S. PATENT DOCUMENTS

2013/0049627 A1 2/2013 Roberts et al.  
 2013/0058108 A1 3/2013 Blincoe et al.  
 2013/0062724 A1 3/2013 Tokuyama et al.  
 2013/0063935 A1 3/2013 Thraikill  
 2013/0077311 A1 3/2013 Kinnune et al.  
 2013/0208471 A1 8/2013 Lueken et al.  
 2014/0198430 A1 7/2014 Veenker  
 2014/0294215 A1 10/2014 Caldes  
 2014/0340882 A1 11/2014 Woods et al.  
 2015/0153031 A1\* 6/2015 Myers ..... F21S 8/04  
 362/612  
 2015/0159852 A1 6/2015 Dahlen et al.  
 2015/0163884 A1\* 6/2015 Dahlen ..... H05B 37/00  
 315/185 R  
 2015/0184808 A1\* 7/2015 Wang ..... F21V 23/009  
 362/235  
 2015/0345770 A1\* 12/2015 Badley ..... F21V 29/74  
 362/373  
 2016/0033088 A1\* 2/2016 Mayfield, III ..... F21K 9/17  
 362/225  
 2016/0315413 A1\* 10/2016 Kobayashi ..... H01R 13/521  
 2016/0319823 A1 11/2016 Liessmann et al.  
 2016/0327257 A1 11/2016 Li et al.  
 2016/0341220 A1 11/2016 Kondou et al.  
 2016/0369981 A1\* 12/2016 Emde ..... F21S 6/003  
 2017/0030361 A1 2/2017 Niemiec et al.  
 2017/0074473 A1 3/2017 Ogg et al.  
 2017/0075059 A1\* 3/2017 Dahlen ..... F21S 8/043  
 2017/0097147 A1 4/2017 Myers et al.

2017/0099426 A1 4/2017 Okunami  
 2017/0117687 A1 4/2017 Smith et al.  
 2017/0138573 A1 5/2017 Spiel et al.  
 2017/0356625 A1\* 12/2017 Sorensen ..... F21V 11/02  
 2018/0017218 A1\* 1/2018 Ham ..... F21V 17/12  
 2018/0067602 A1\* 3/2018 Zhang ..... G06F 3/0414  
 2018/0073687 A1\* 3/2018 Musser ..... F21K 9/275  
 2018/0149319 A1\* 5/2018 Price ..... F21K 9/275  
 2018/0156399 A1\* 6/2018 Sorensen ..... F21V 19/001  
 2018/0172228 A1\* 6/2018 Green ..... F21S 8/043  
 2018/0202634 A1\* 7/2018 Farzan ..... F21V 23/009

OTHER PUBLICATIONS

Kenall Products RD700, image post date Sep. 23, 2017, site visited Aug. 2, 2018, (online), <<https://web.archive.org/web/20170923100304/https://kenall.com/Home/Products/Transportation/Tunnel>>.\*  
 ARSTC Flat Top-Mount Rack Shelf, image post date Dec. 25, 2010, site visited Apr. 3, 2015, (online), <[http://web.archive.org/web/20101225130211/http://www.bhphotovideo.com/c/product/528661-REG/Odyssey\\_Innovative\\_Designs\\_ARSTC\\_ARSTC\\_Flat\\_Top\\_Mount\\_Rack.html](http://web.archive.org/web/20101225130211/http://www.bhphotovideo.com/c/product/528661-REG/Odyssey_Innovative_Designs_ARSTC_ARSTC_Flat_Top_Mount_Rack.html)>.  
 Rackmount Sliding Shelf, image post date Apr. 12, 2013, site visited Apr. 3, 2015, (online), <<http://web.archive.org/web/20130412173615/http://www.engineersupply.com/Kendall-Howard-Rackmount-Sliding-Shelf.aspx>>.  
 Waterproof led driver housings, image post date 1999, site visited May 27, 2017, (online), <<https://www.alibaba.com/showroom/waterproof-led-driver-housing.html>>.

\* cited by examiner



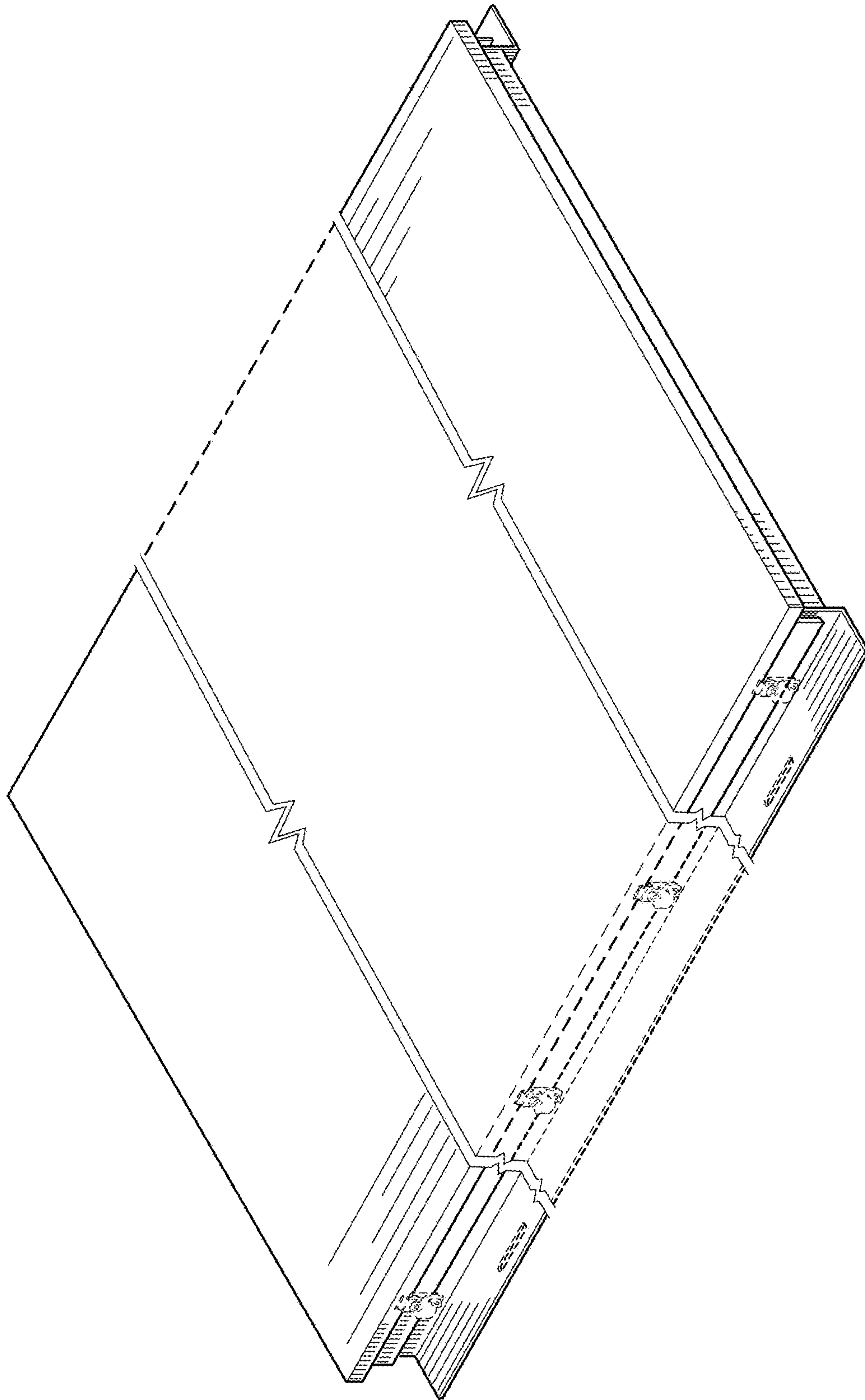
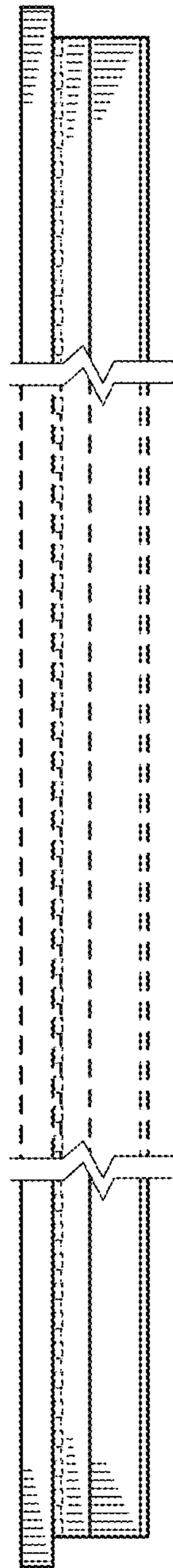
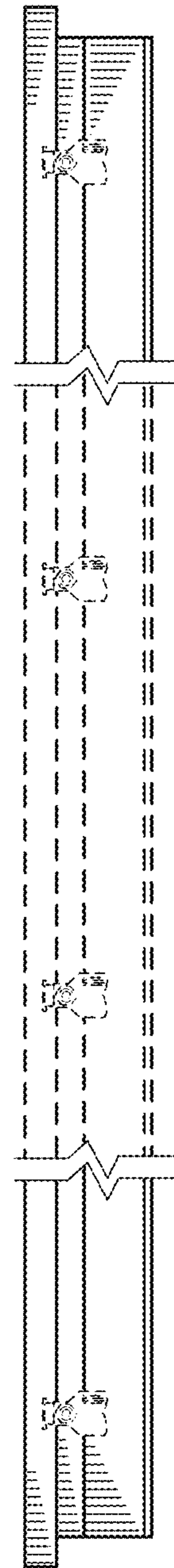


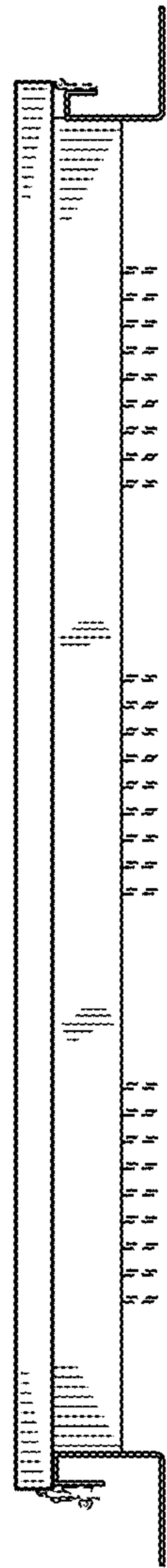
FIG. 1



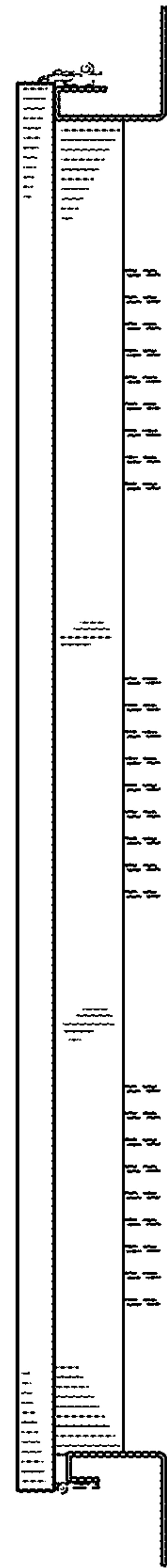
**FIG. 2**



**FIG. 3**



**FIG. 4**



**FIG. 5**

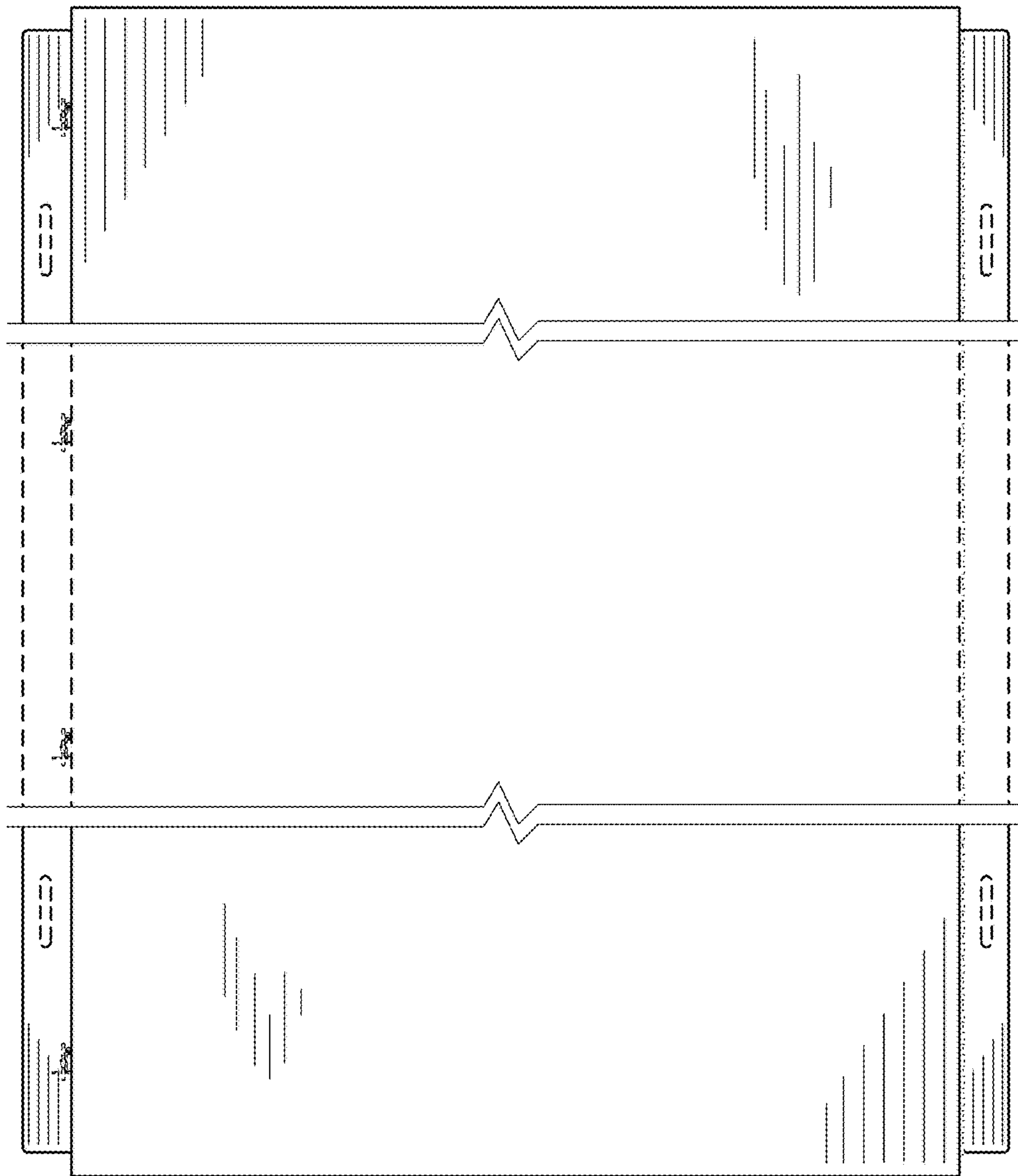


FIG. 6

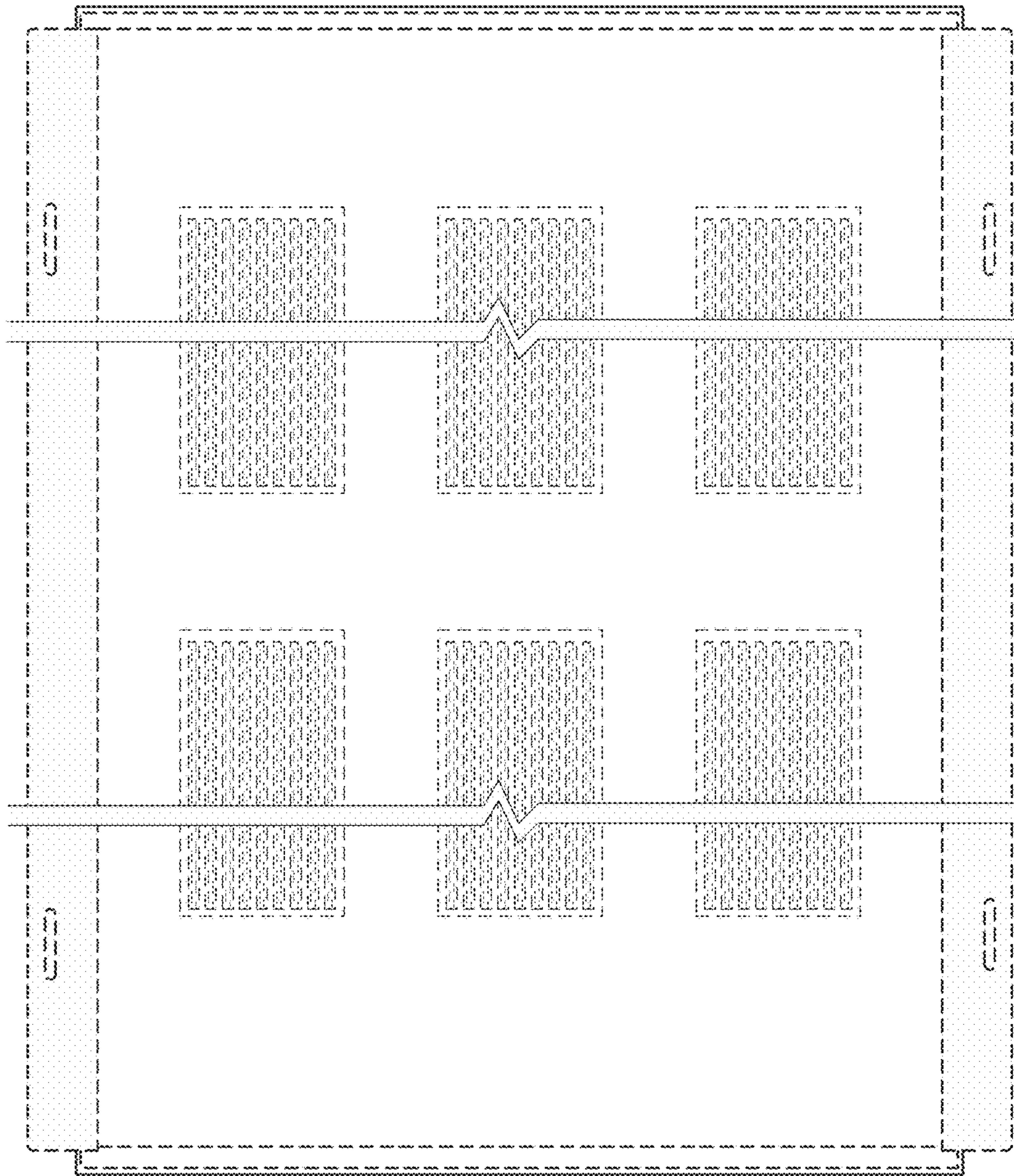


FIG. 7