



US00D844213S

(12) **United States Design Patent**  
**Liu**

(10) **Patent No.:** **US D844,213 S**  
(45) **Date of Patent:** **\*\* Mar. 26, 2019**

- (54) **SOLAR LAMP**
- (71) Applicant: **Shenzhen Ennoplus Technology Co., Ltd.**, Shenzhen (CN)
- (72) Inventor: **Hangyu Liu**, Shenzhen (CN)
- (73) Assignee: **SHENZHEN ENNOPLUS TECHNOLOGY CO., LTD.**, Shenzhen (CN)
- (\*\*) Term: **15 Years**
- (21) Appl. No.: **29/657,854**
- (22) Filed: **Jul. 26, 2018**
- (51) **LOC (11) Cl.** ..... **26-03**
- (52) **U.S. Cl.**  
USPC ..... **D26/85**
- (58) **Field of Classification Search**  
USPC ..... D26/72, 85, 89, 120; D10/106.6, 106.8  
CPC .... F21S 8/03; F21S 8/033; F21S 8/036; F21S 8/037; F21S 9/022; F21S 9/024; F21S 9/03; F21S 9/035; F21S 9/037; F21W 2131/107; G08B 13/193  
See application file for complete search history.

D822,874 S *	7/2018	Hu	.....	D26/85
D823,521 S *	7/2018	Lehman	.....	D26/85
D829,359 S *	9/2018	Zhang	.....	D26/85
D829,956 S *	10/2018	Liu	.....	D26/85
2016/0312989 A1 *	10/2016	Tiwarly	.....	F21V 21/30
2017/0321877 A1 *	11/2017	Polidoro	.....	F21S 8/033

**OTHER PUBLICATIONS**

X-Power Diamond Shape Solar Light. ASIN: B07H5NSPFJ. Available at amazon.com Sep. 7, 2018. (Year: 2018).\*  
Fit-You Motion Sensor Light. ASIN: B07HG2TJVK. Available at amazon.com on Sep. 20, 2018. (Year: 2018).\*

\* cited by examiner

*Primary Examiner* — Clare E Heflin

(57) **CLAIM**

The ornamental design for a solar lamp, as shown and as described.

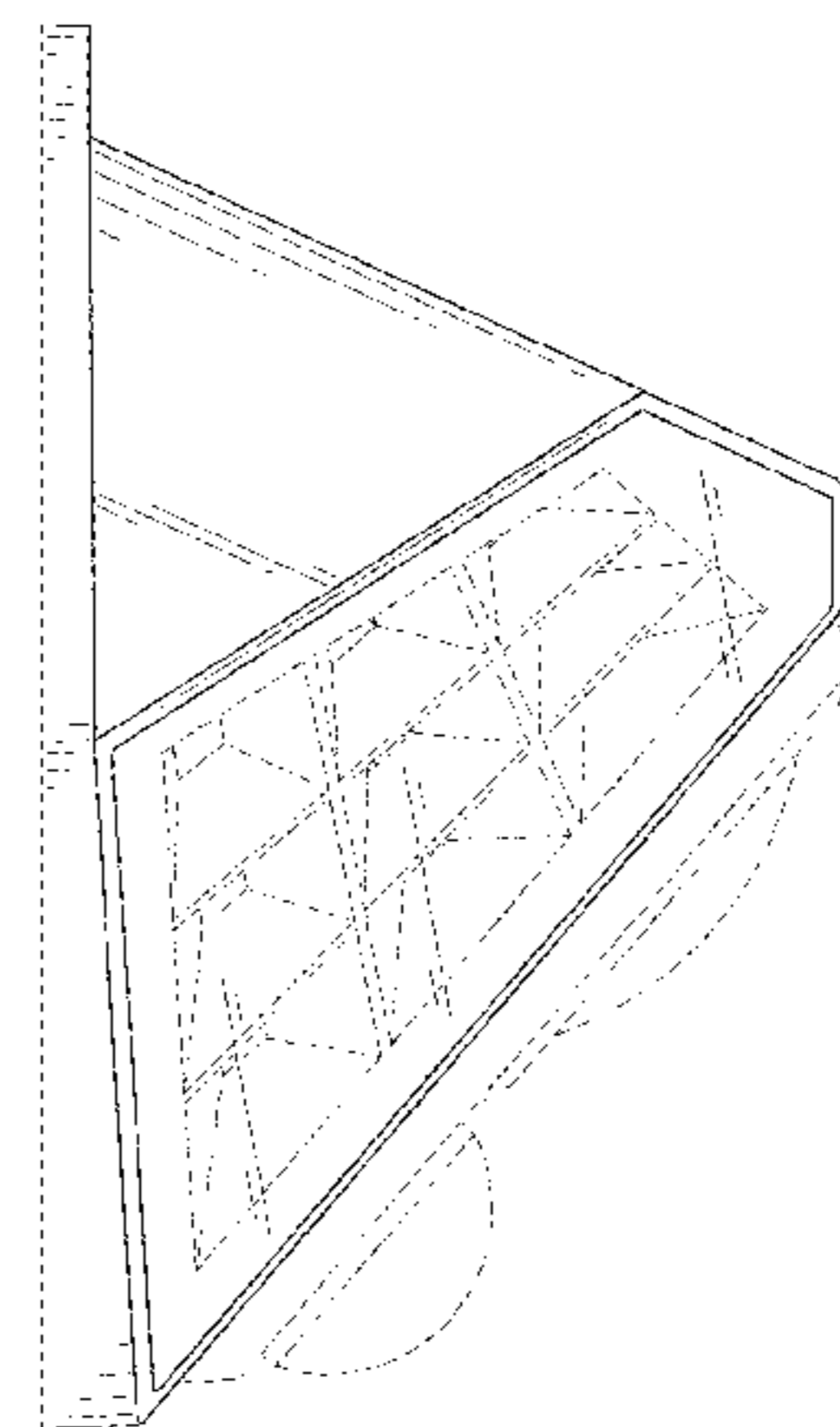
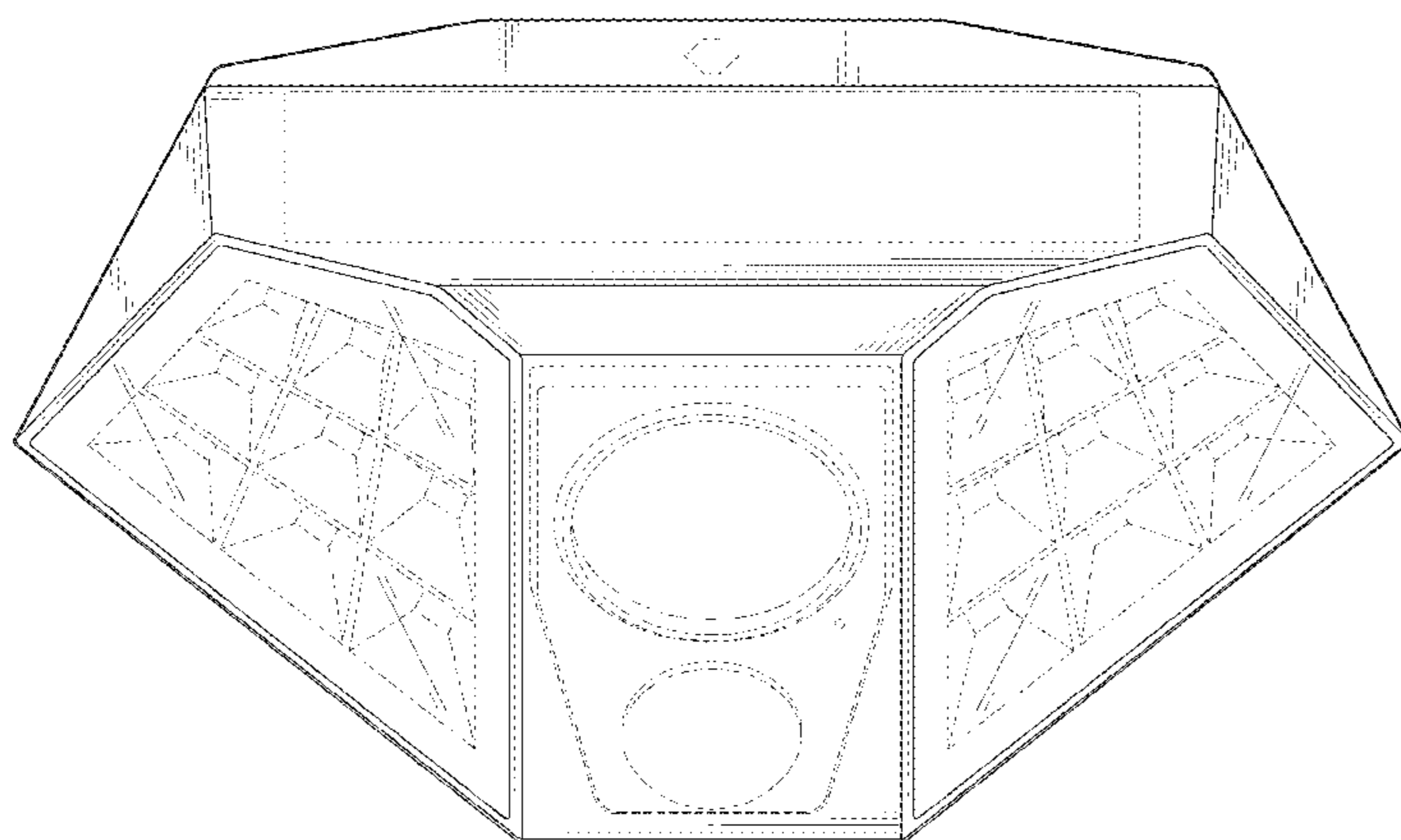
**DESCRIPTION**

FIG. 1 is a first perspective view of a solar lamp showing my new design;  
FIG. 2 is a second perspective view thereof;  
FIG. 3 is a front elevation view thereof;  
FIG. 4 is a rear elevation view thereof;  
FIG. 5 is a left side elevation view thereof;  
FIG. 6 is a right side elevation view thereof;  
FIG. 7 is a top plan view thereof; and,  
FIG. 8 is a bottom plan view thereof.  
The broken lines in FIG. 1 through FIG. 8 illustrate portions of the solar lamp which form no part of the claimed design.

**1 Claim, 8 Drawing Sheets**

(56) **References Cited**  
U.S. PATENT DOCUMENTS

D151,626 S *	11/1948	Kress	.....	D26/85
D189,054 S *	10/1960	Jaffe, Jr.	.....	D26/85
D236,647 S *	9/1975	Sewart	.....	D26/85
4,015,163 A *	3/1977	Iacobelli	.....	F21S 8/033 312/204
D691,319 S *	10/2013	Guercio	.....	D26/85
D805,236 S *	12/2017	Exley	.....	D26/85
D816,259 S *	4/2018	Liu	.....	D26/85



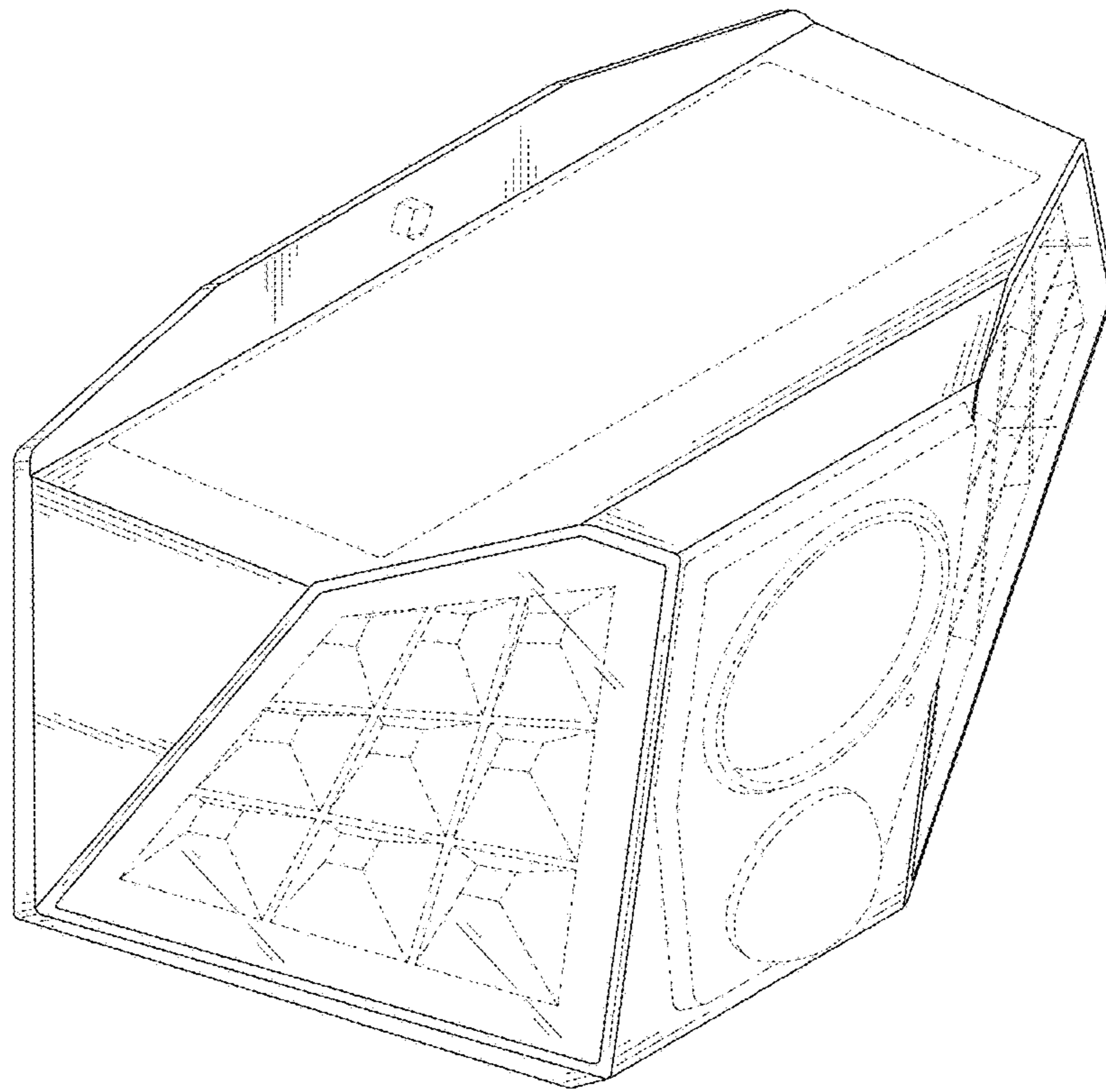


FIG. 1

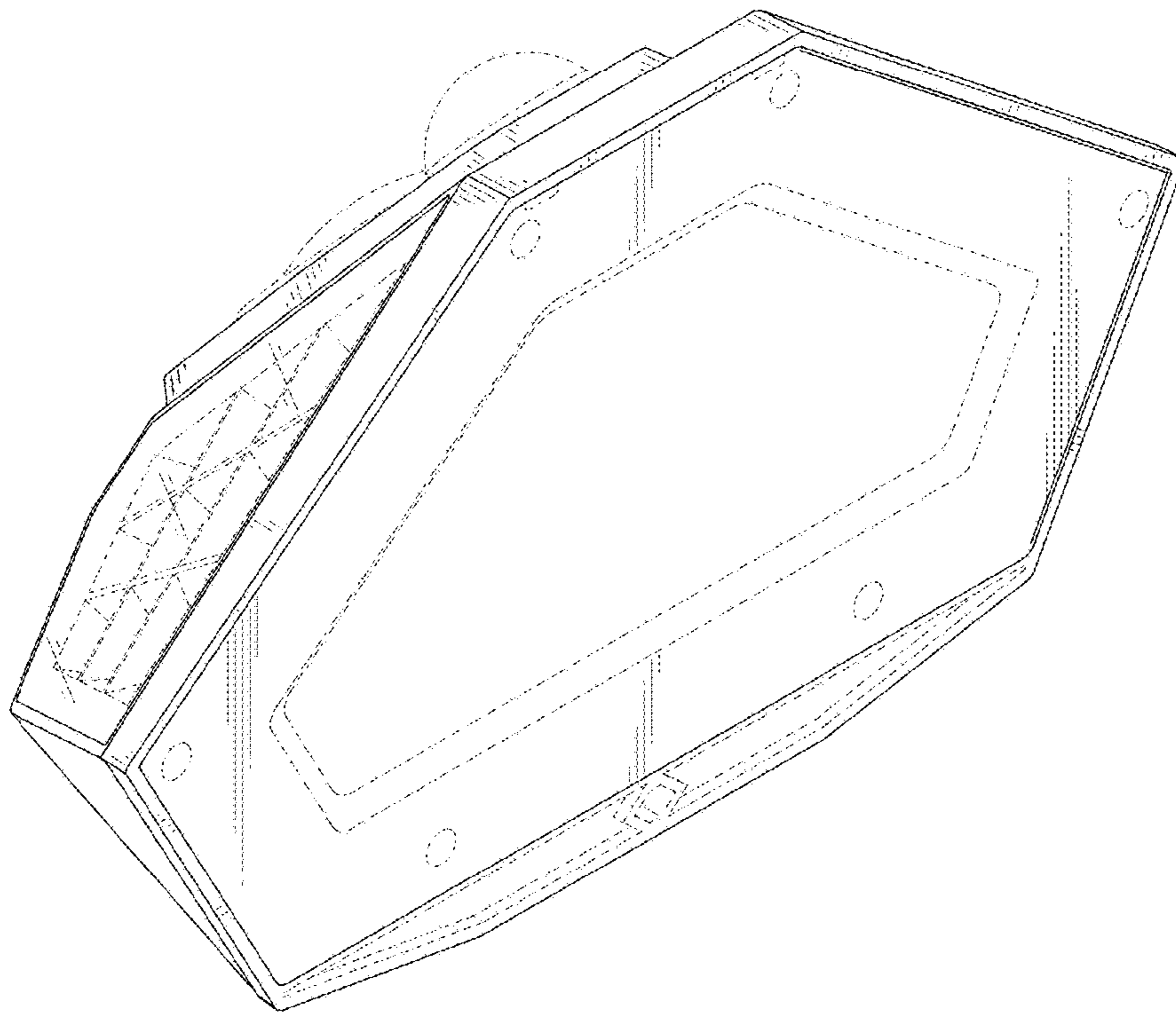


FIG. 2

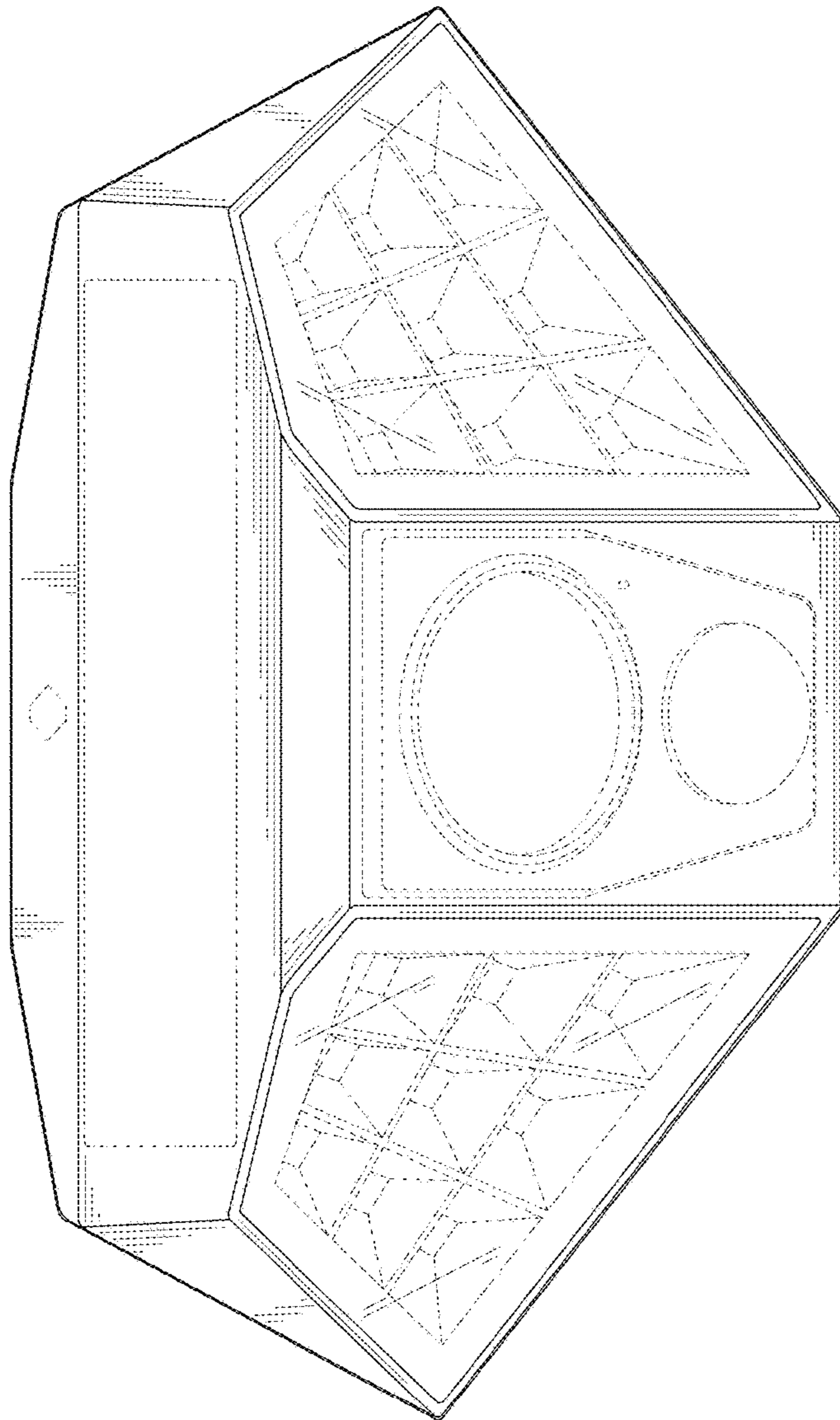


FIG. 3

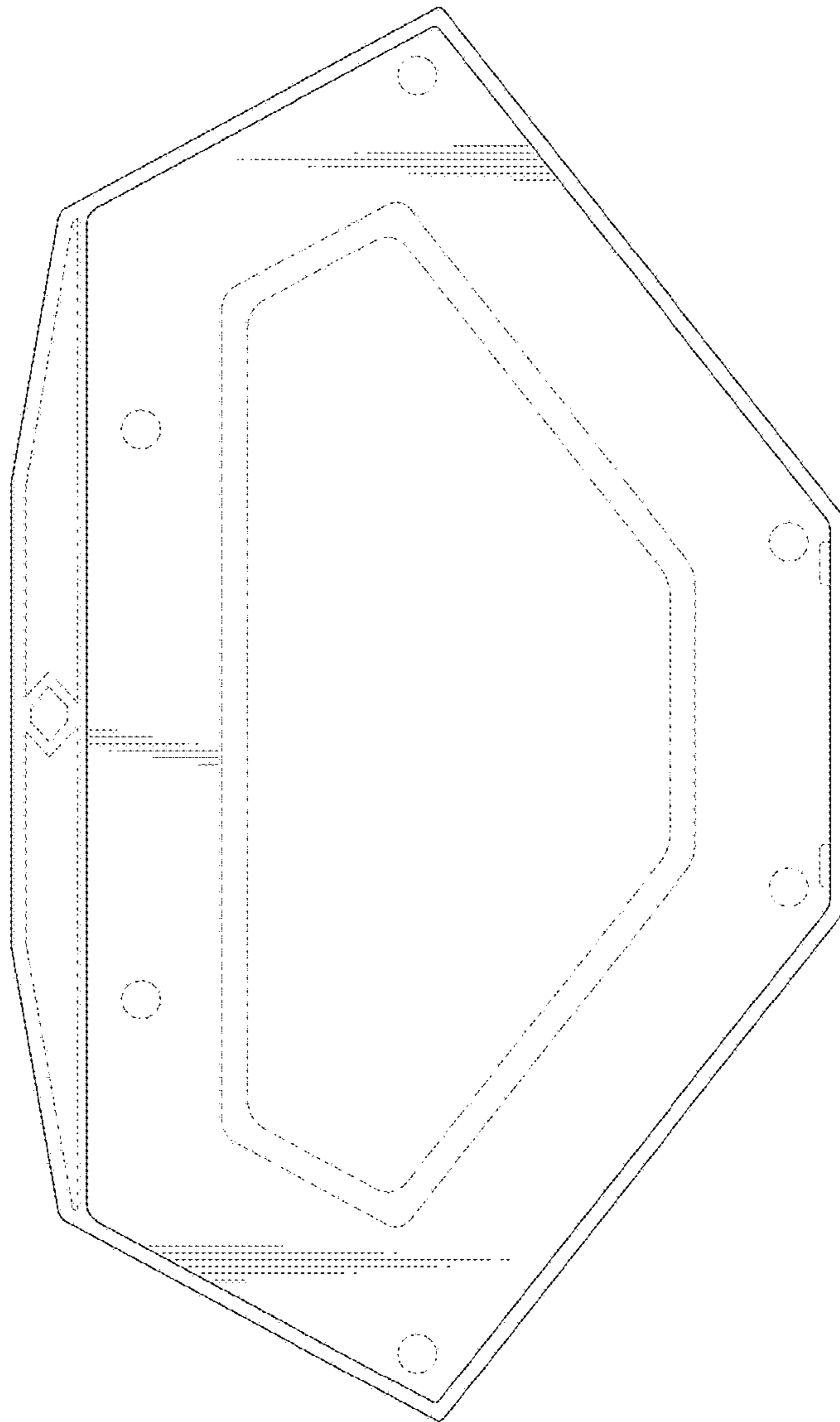


FIG. 4

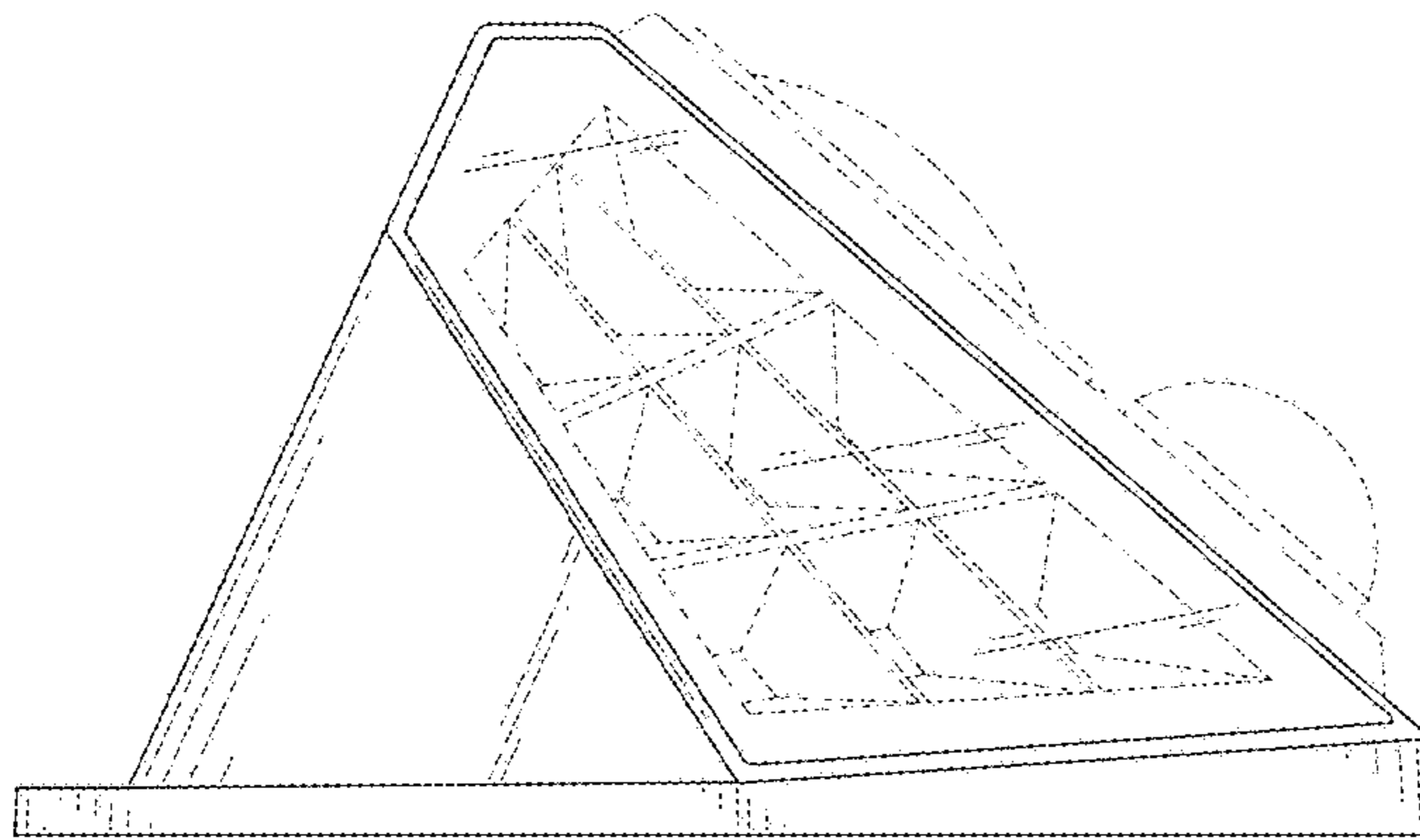


FIG. 5

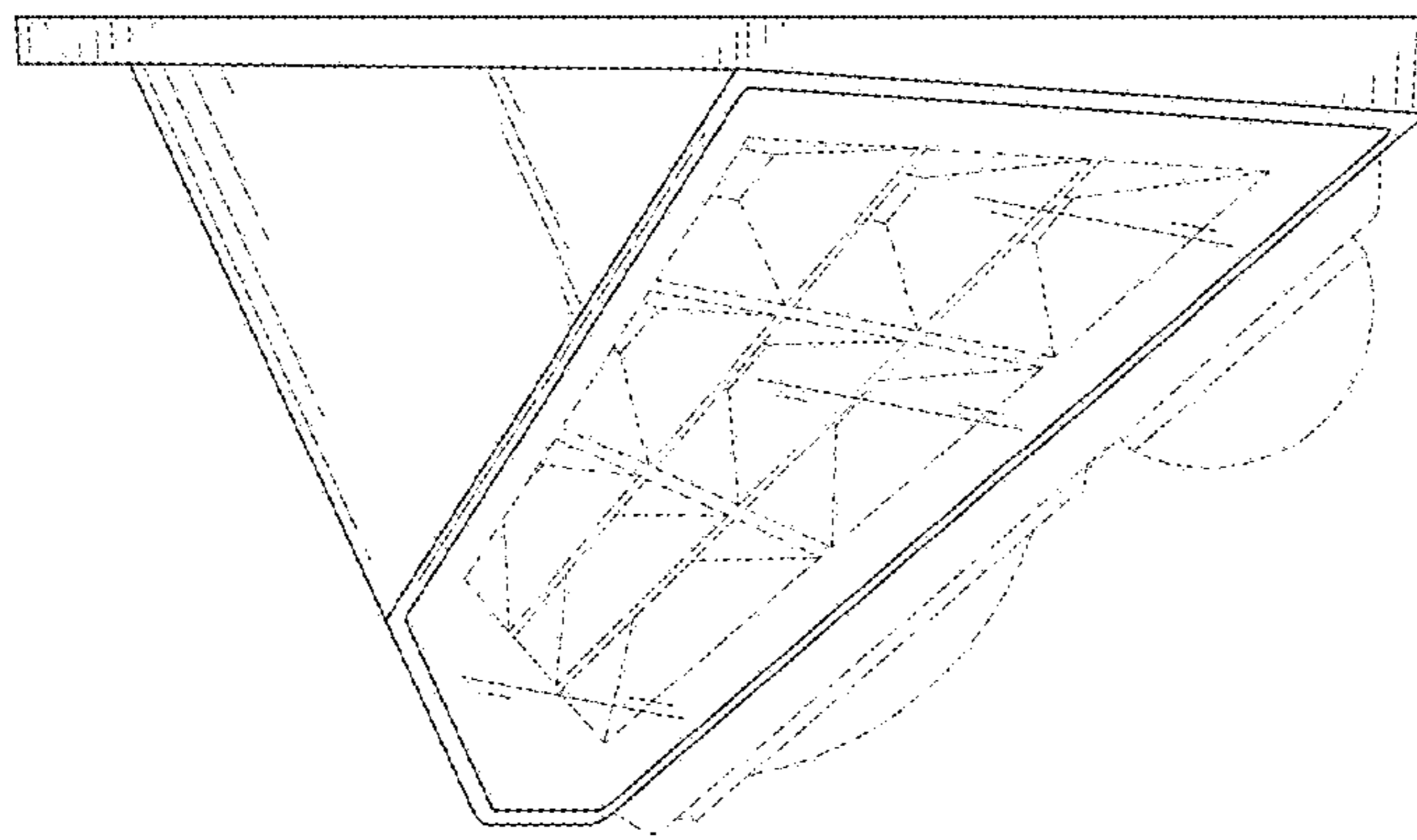


FIG. 6

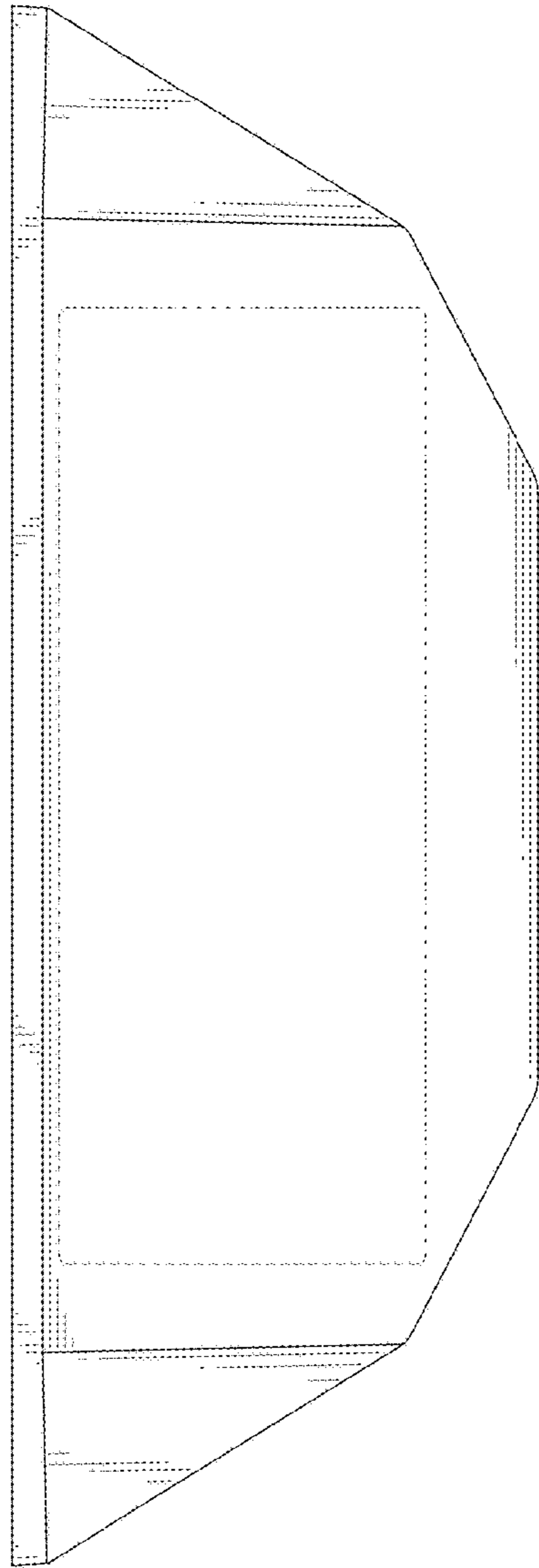


FIG. 7



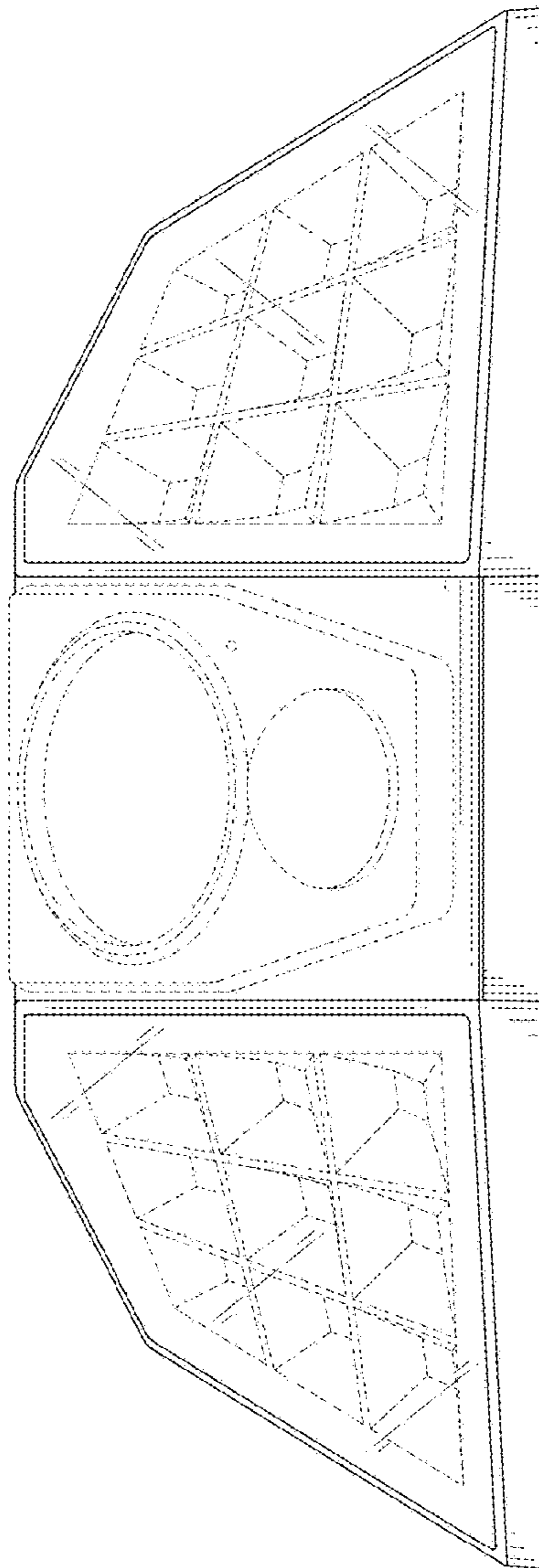


FIG. 8