

US00D844211S

(12) **United States Design Patent**
Straus et al.

(10) **Patent No.:** **US D844,211 S**

(45) **Date of Patent:** **** Mar. 26, 2019**

(54) **EMBEDDED LIGHTING WORKSPACE
TERMINAL UNIT**

(71) Applicants: **Steven A. Straus**, San Francisco, CA
(US); **David E. Benson**, Redmond, OR
(US)

(72) Inventors: **Steven A. Straus**, San Francisco, CA
(US); **David E. Benson**, Redmond, OR
(US)

(73) Assignees: **GLUMAC, INC.**, Portland, OR (US);
BASX SOLUTIONS, LLC, Redmond,
OR (US)

(**) Term: **15 Years**

(21) Appl. No.: **29/593,459**

(22) Filed: **Feb. 8, 2017**

(51) **LOC (11) Cl.** **26-05**

(52) **U.S. Cl.**
USPC **D26/74**

(58) **Field of Classification Search**
USPC D26/74, 72, 75, 76, 77, 78, 85, 88, 89,
D26/118, 138, 141; 362/364, 365, 373,
362/145, 146, 147, 148, 150, 153, 153.1,
362/294, 296.01, 296.07, 296.08
See application file for complete search history.

(56) **References Cited**

U.S. PATENT DOCUMENTS

D522,165 S * 5/2006 Hubbell D26/120
D544,128 S * 6/2007 Carro D26/63
D663,881 S * 7/2012 Janssen D26/74

D695,442 S * 12/2013 Speier D26/74
D713,585 S * 9/2014 Van Lierde D26/66
D715,476 S * 10/2014 Tien D26/74
D720,488 S * 12/2014 Toyohisa D26/74
D729,969 S * 5/2015 Boyer D26/74
D735,924 S * 8/2015 Boyer D26/89
D744,689 S * 12/2015 Maxik D26/74
2011/0097986 A1 4/2011 Cursetjee

OTHER PUBLICATIONS

Huntair; "Cleansuite® Operating Room Ceiling System"; Nortek
Air Solutions; May 2016; www.nortekair.com; 8 pages.

* cited by examiner

Primary Examiner — Angela J Lee

(74) *Attorney, Agent, or Firm* — Schwabe, Williamson &
Wyatt, P.C.

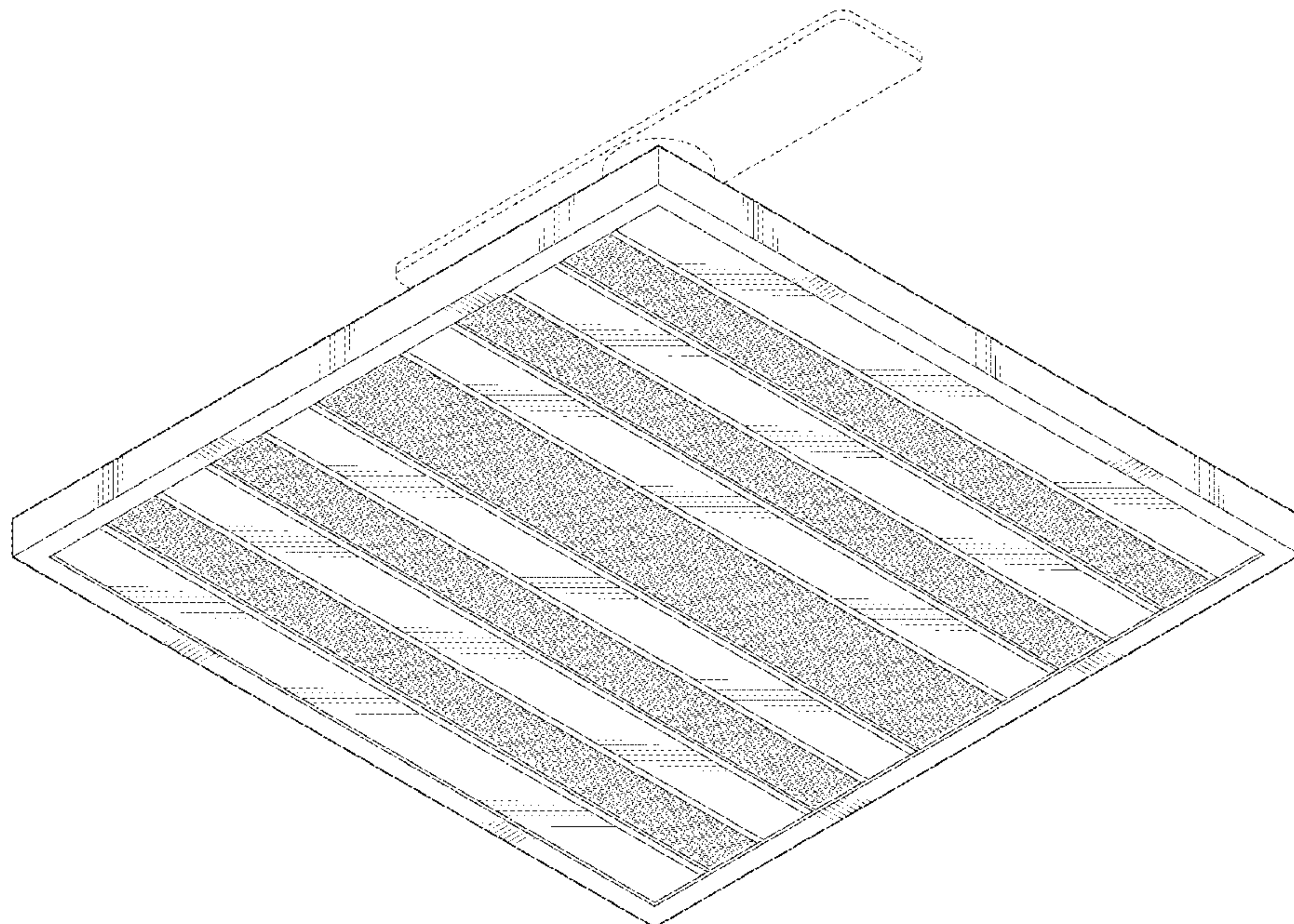
(57) **CLAIM**

The ornamental design for an embedded lighting workspace
terminal unit, as shown and described.

DESCRIPTION

FIG. 1 is a bottom isometric view of an embedded lighting
workspace terminal unit showing our new design.
FIG. 2 is a top isometric view thereof.
FIG. 3 is a front elevation view thereof.
FIG. 4 is a rear elevation view thereof.
FIG. 5 is a left elevation view thereof.
FIG. 6 is a right elevation view thereof.
FIG. 7 is a bottom plan view thereof; and,
FIG. 8 is a top plan view thereof.
The broken lines depicted in FIGS. 1-6 and 8 form no part
of the claimed design.

1 Claim, 6 Drawing Sheets



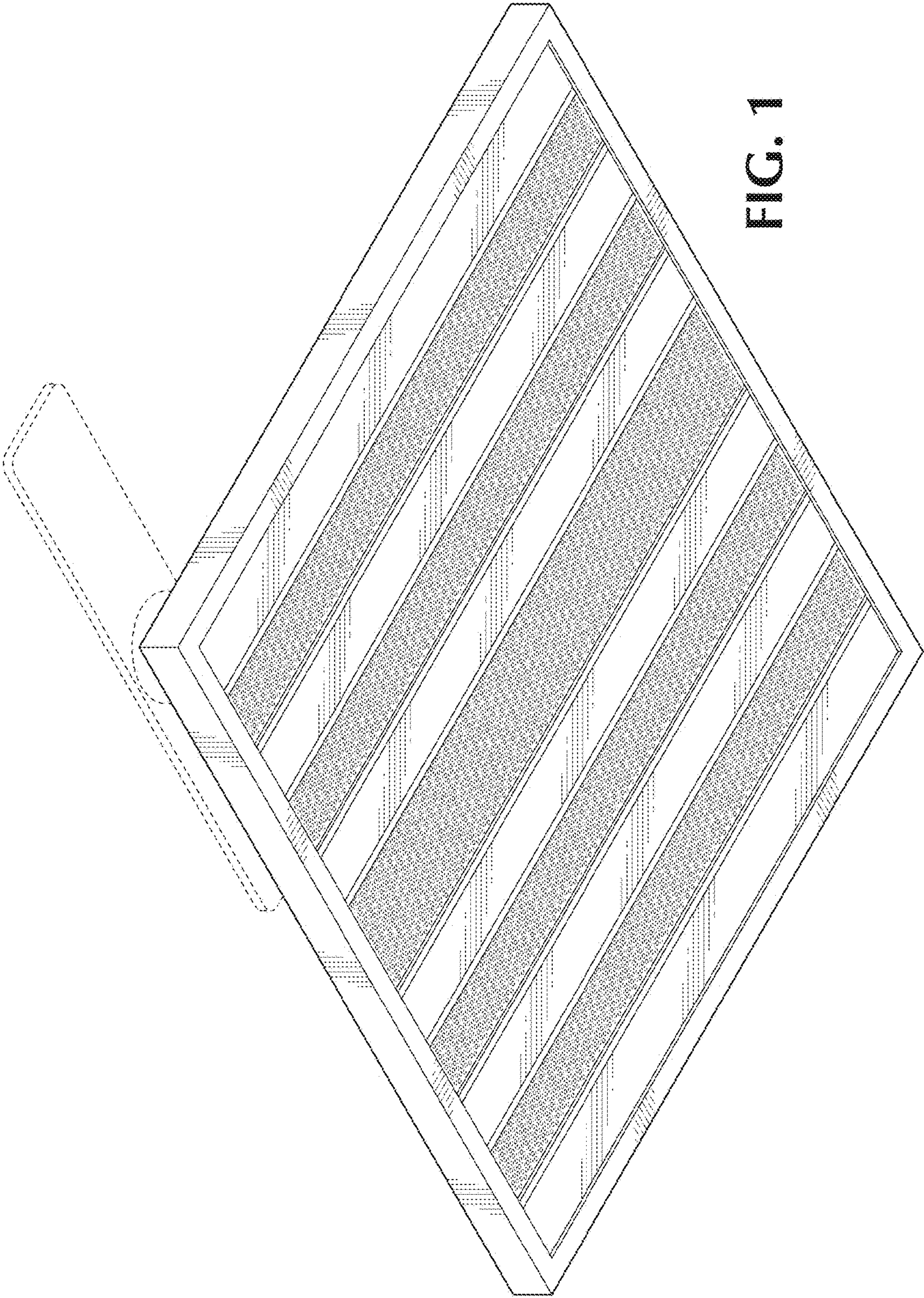


FIG. 1

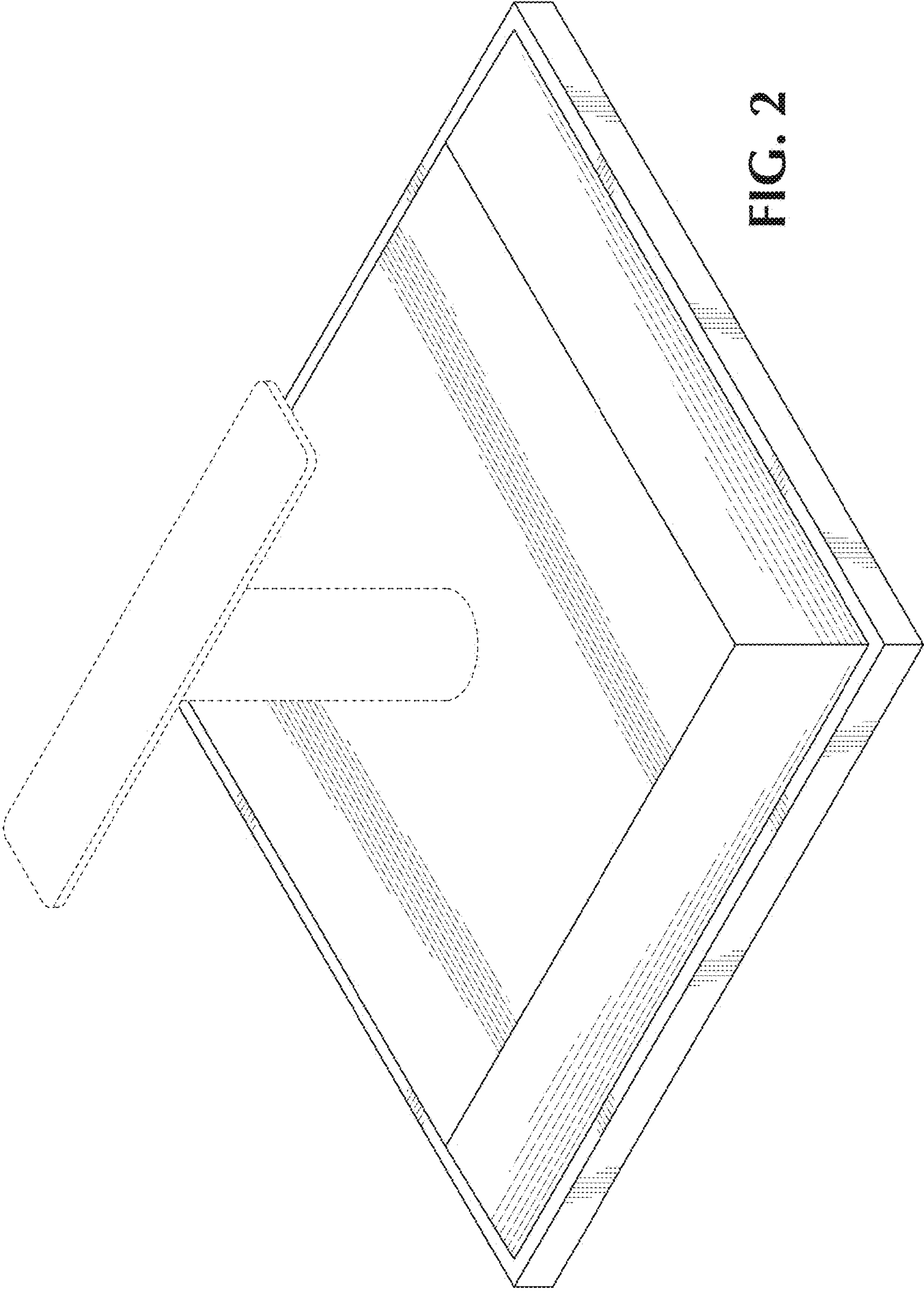


FIG. 2

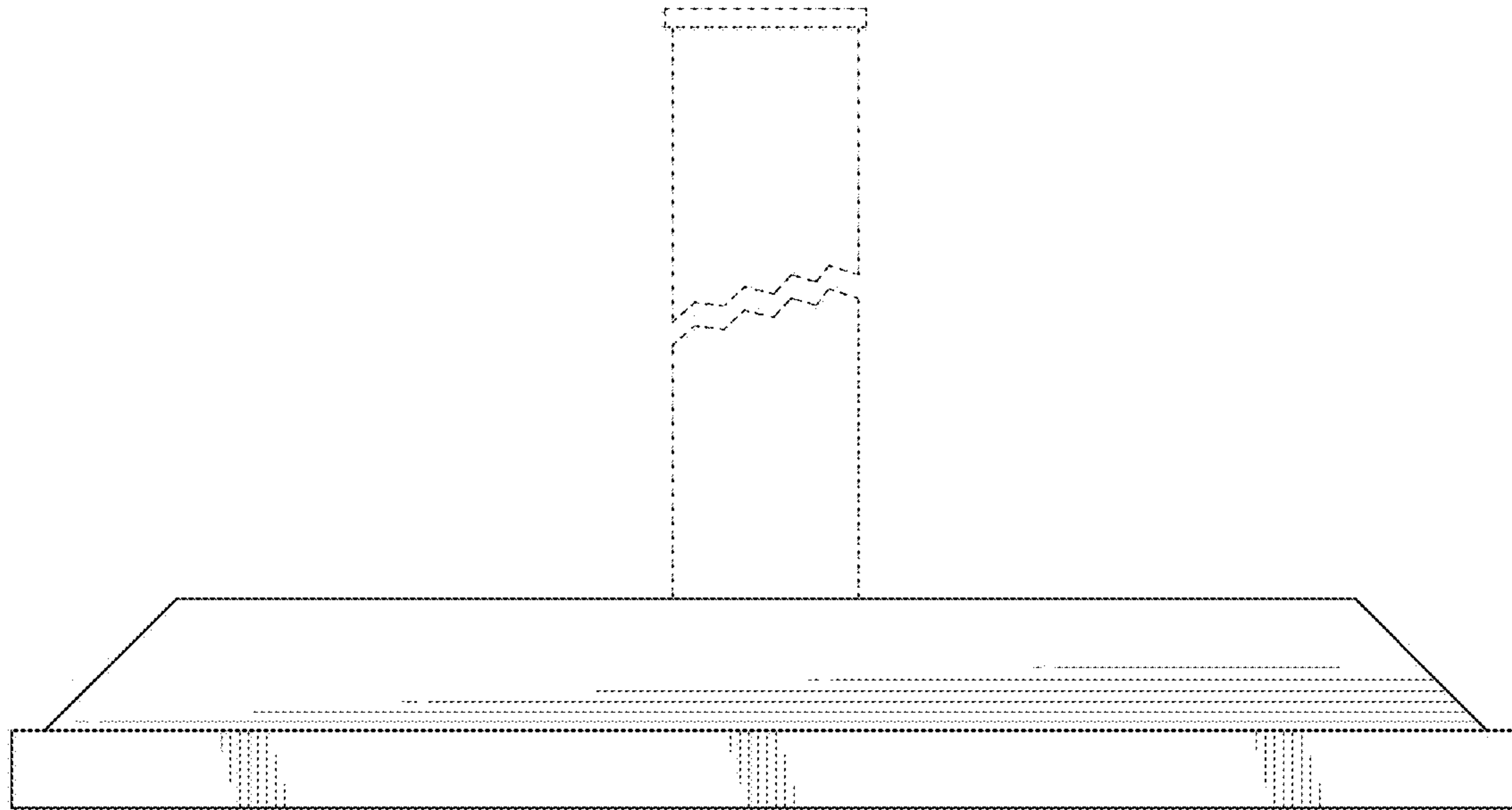


FIG. 3

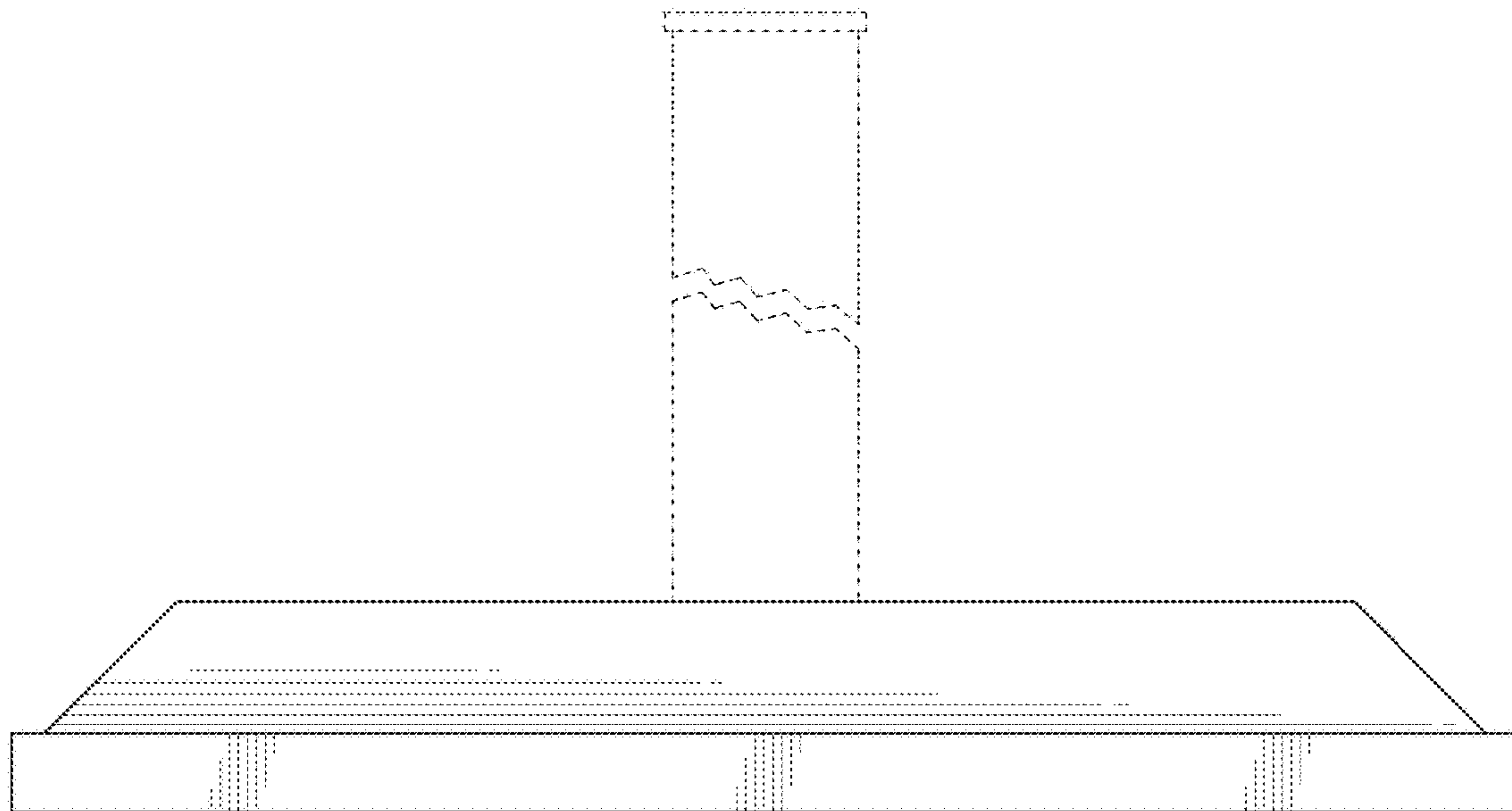


FIG. 4

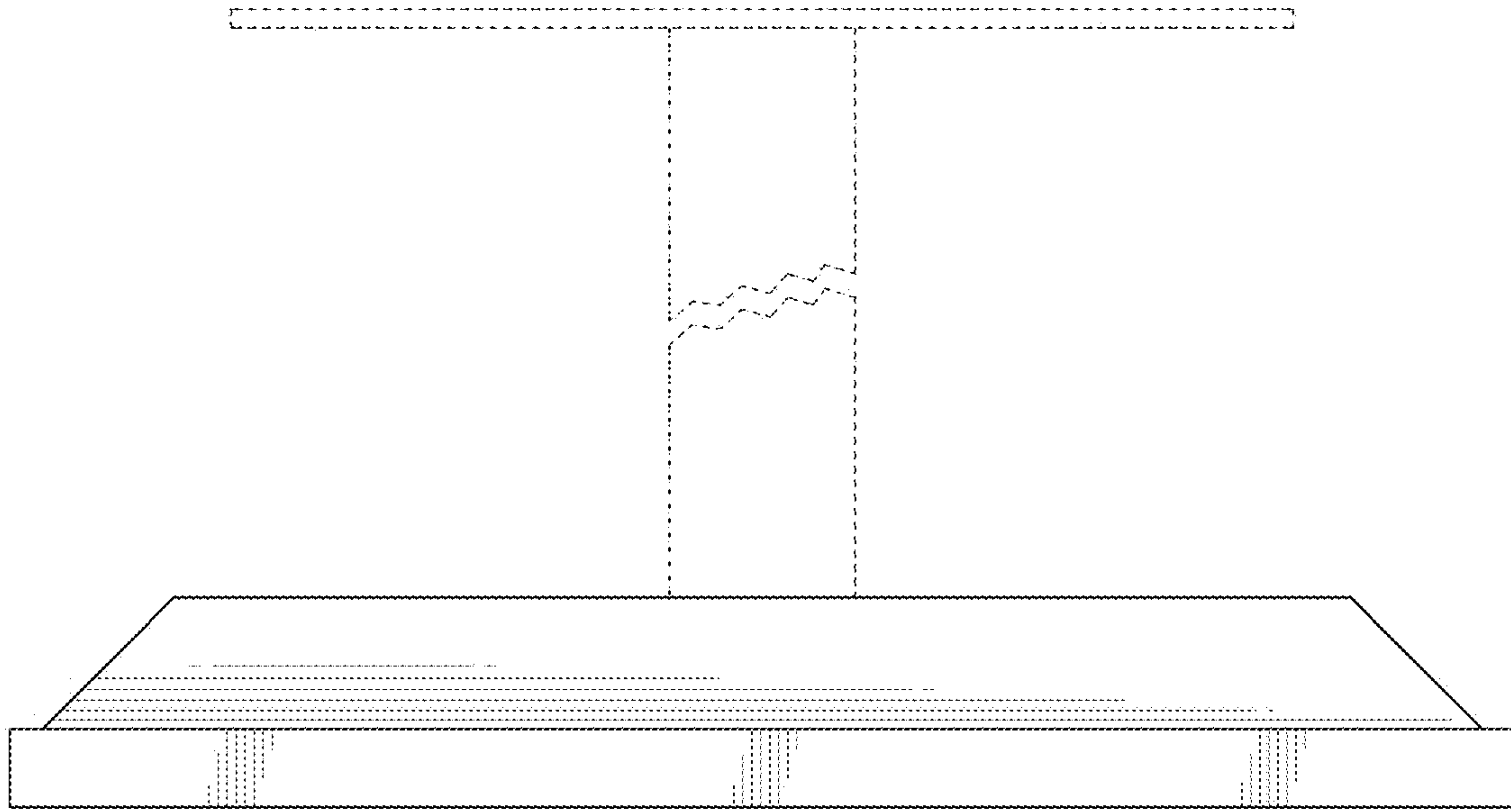


FIG. 5

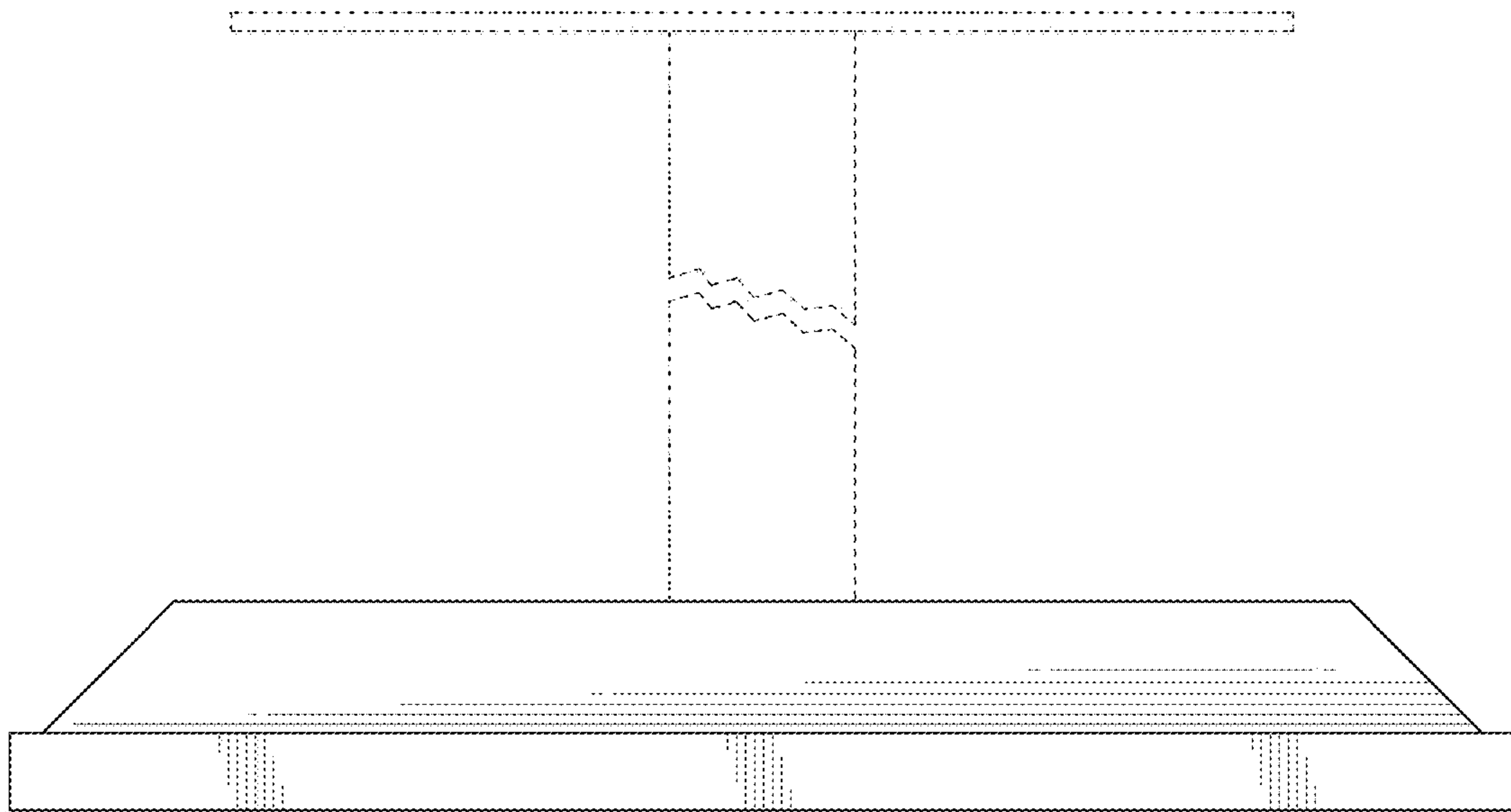


FIG. 6

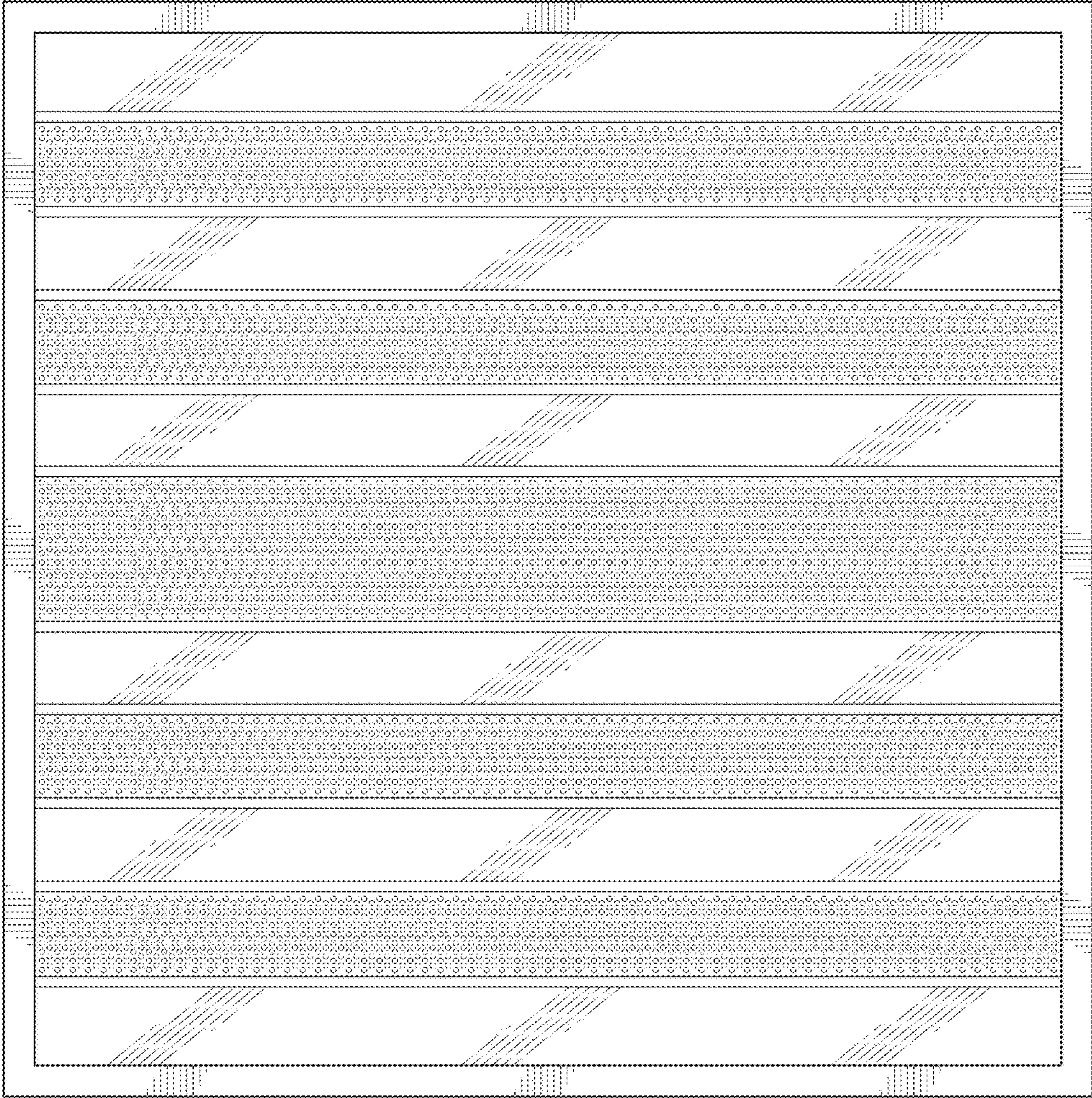


FIG. 7

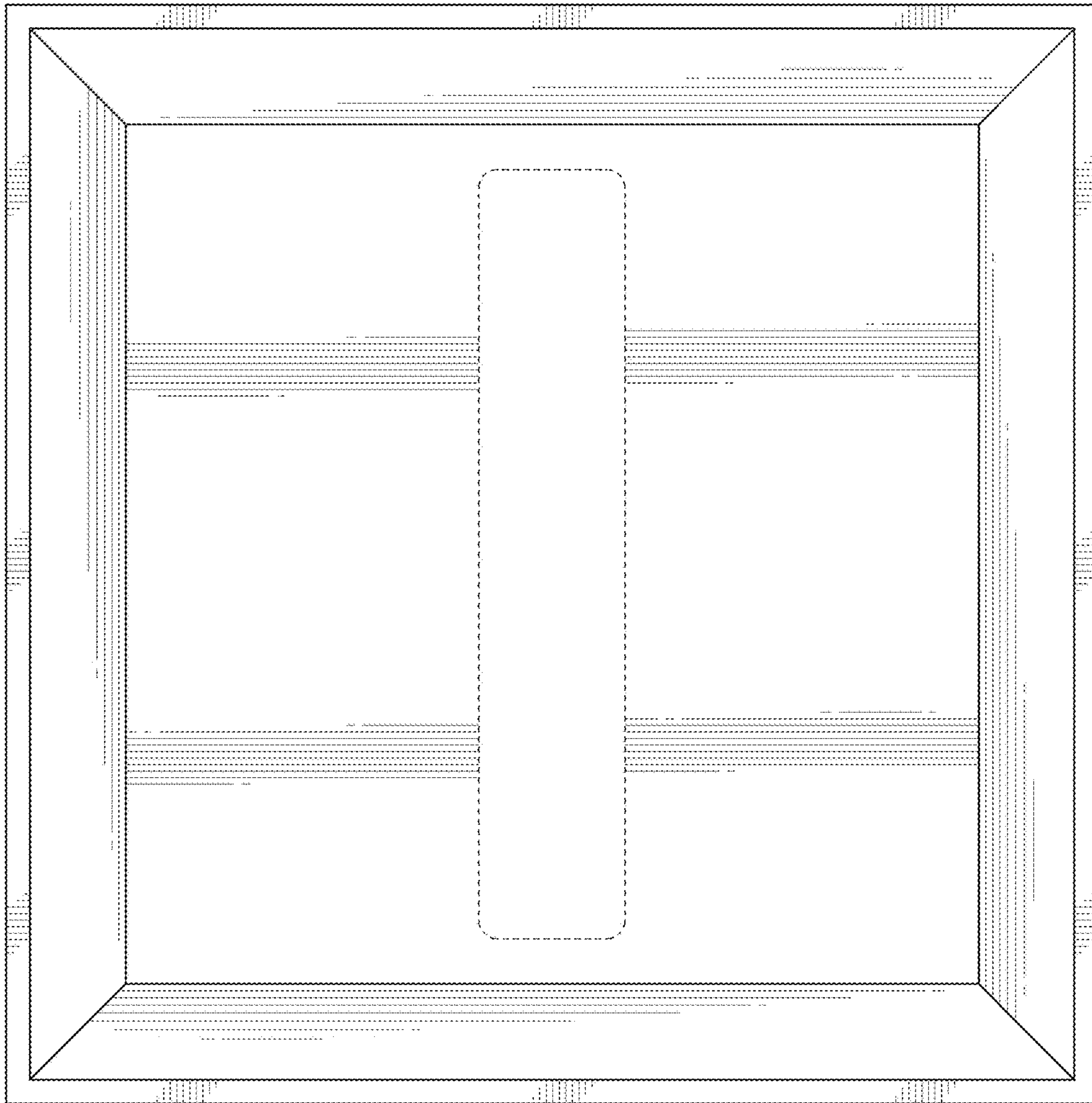


FIG. 8