

US00D844209S

(12) **United States Design Patent** (10) **Patent No.:** **US D844,209 S**
Subramanian et al. (45) **Date of Patent:** **** Mar. 26, 2019**

(54) **LIGHTING UNIT**

(71) Applicant: **Eaton Protection Systems IP GmbH & Co. KG**, Schönefeld (DE)

(72) Inventors: **Parthiban Subramanian**, Soest (DE);
Jens Burmeister, Eberbach (DE)

(73) Assignee: **Eaton Protection Systems IP GmbH & Co. KG**, Schönefeld (DE)

(**) Term: **15 Years**

(21) Appl. No.: **29/612,017**

(22) Filed: **Jul. 27, 2017**

(30) **Foreign Application Priority Data**

Jan. 27, 2017 (EM) 003718527-0001
Jan. 27, 2017 (EM) 003718527-0002
Jan. 27, 2017 (EM) 003718527-0003
Jan. 27, 2017 (EM) 003718527-0004

(51) **LOC (11) Cl.** **26-03**

(52) **U.S. Cl.**
USPC **D26/63**

(58) **Field of Classification Search**
USPC D26/1, 24, 61, 63, 65, 85, 92, 138
CPC F21V 21/14; F21V 15/01; F21V 14/02;
F21V 21/30; F21V 21/00; F21V 14/00;
F21S 8/00; F21S 8/003; F21S 8/043;
F21Y 2105/001; F04B 39/042

See application file for complete search history.

(56) **References Cited**

U.S. PATENT DOCUMENTS

D799,729 S * 10/2017 Zhong D26/63
D819,857 S * 6/2018 Kotovsky D26/63
D821,013 S * 6/2018 Mizobe D26/63

* cited by examiner

Primary Examiner — Brian N. Vinson

(74) *Attorney, Agent, or Firm* — Stinson Leonard Street
LLP

(57) **CLAIM**

The ornamental design for lighting unit, as shown and described.

DESCRIPTION

FIG. 1 is a front perspective of a lighting unit;
FIG. 2 is a rear perspective of the lighting unit of FIG. 1;
FIG. 3 is a rear view of the lighting unit of FIG. 1;
FIG. 4 is a front view of the lighting unit of FIG. 1;
FIG. 5 is a top plan view of the lighting unit of FIG. 1; and,
FIG. 6 is a right side view of the lighting unit of FIG. 1, the
left side view being a mirror image thereof.
The drawings are executed in grayscale.

1 Claim, 6 Drawing Sheets

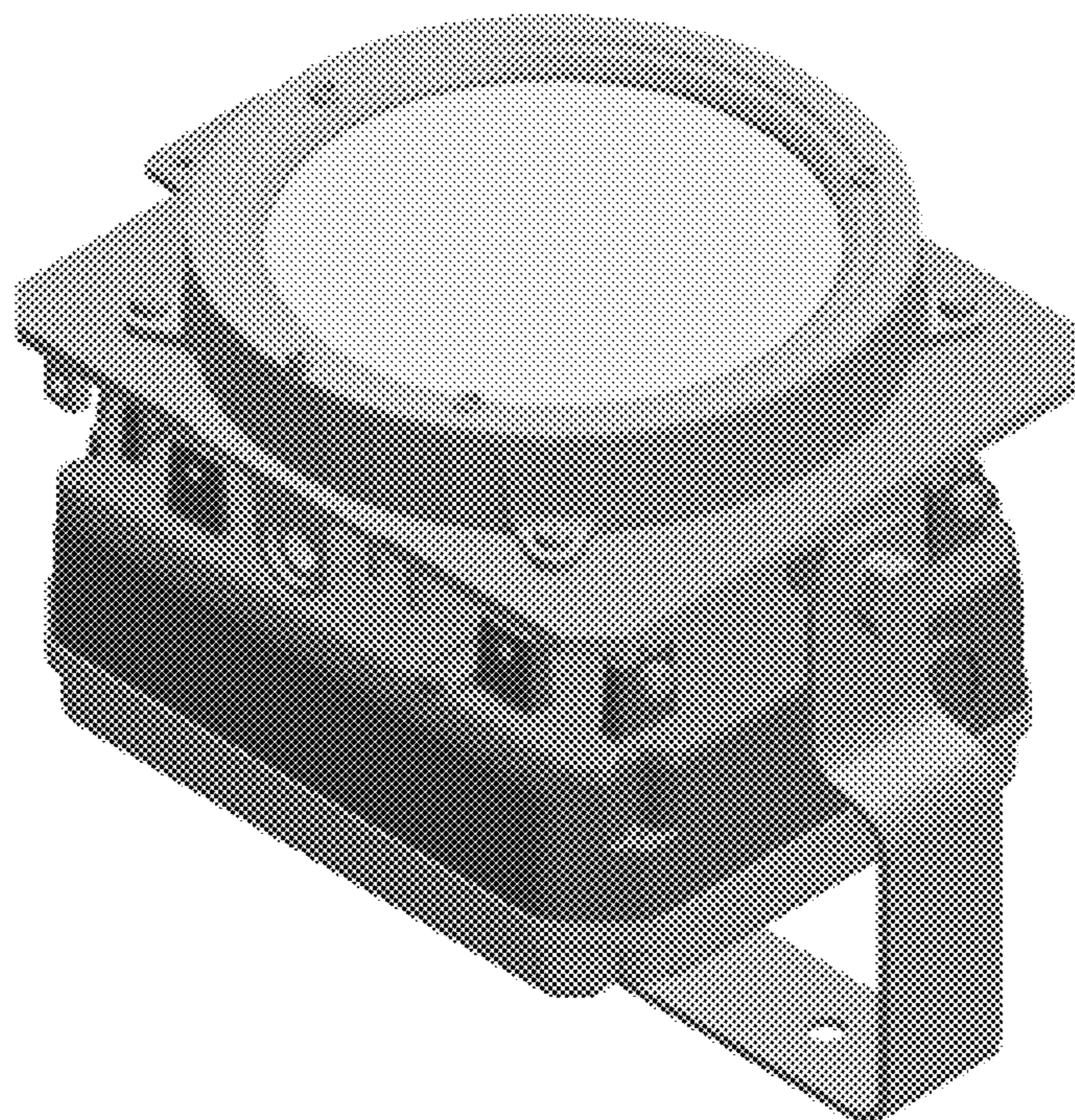


FIG. 1

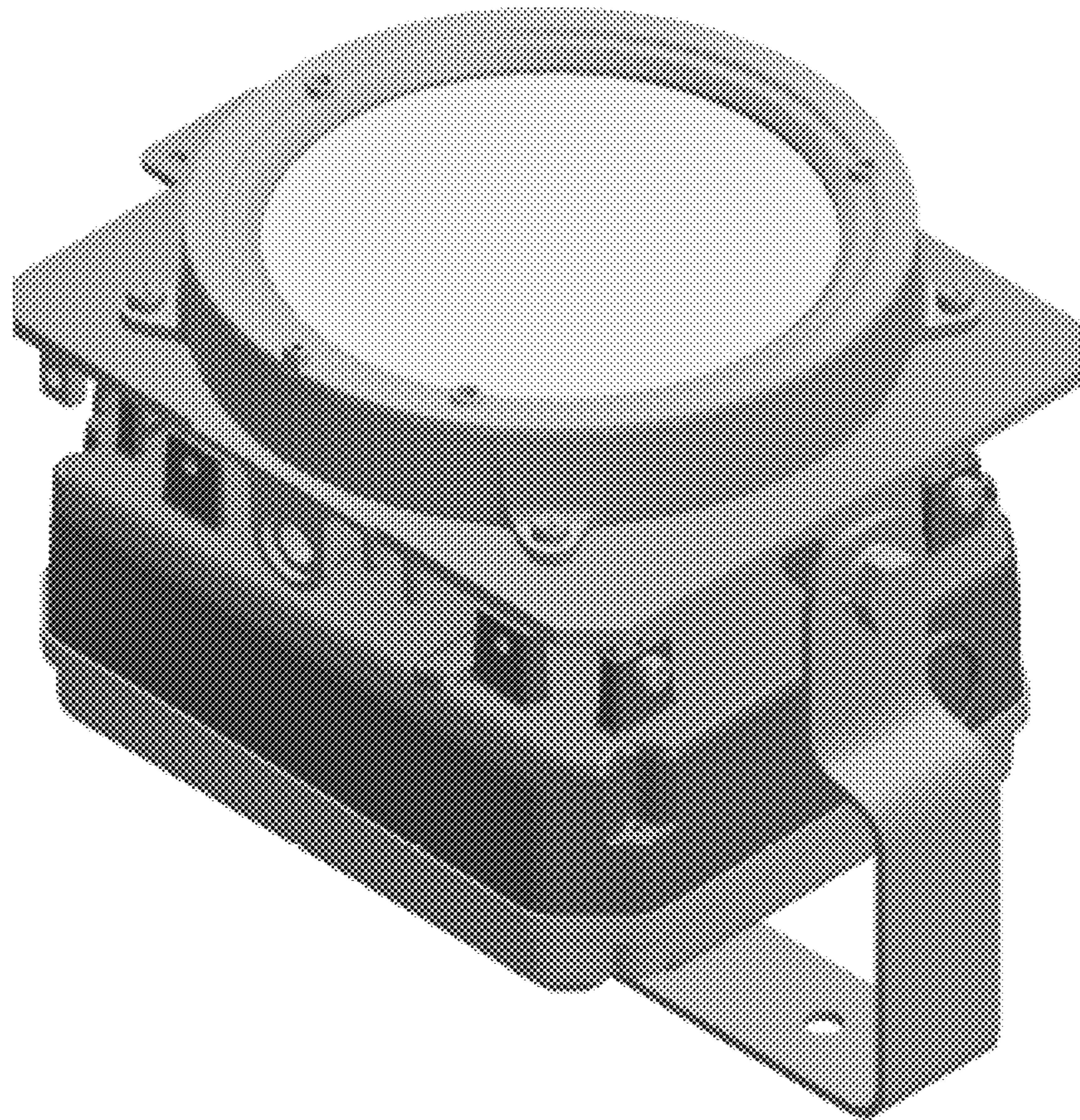


FIG. 2

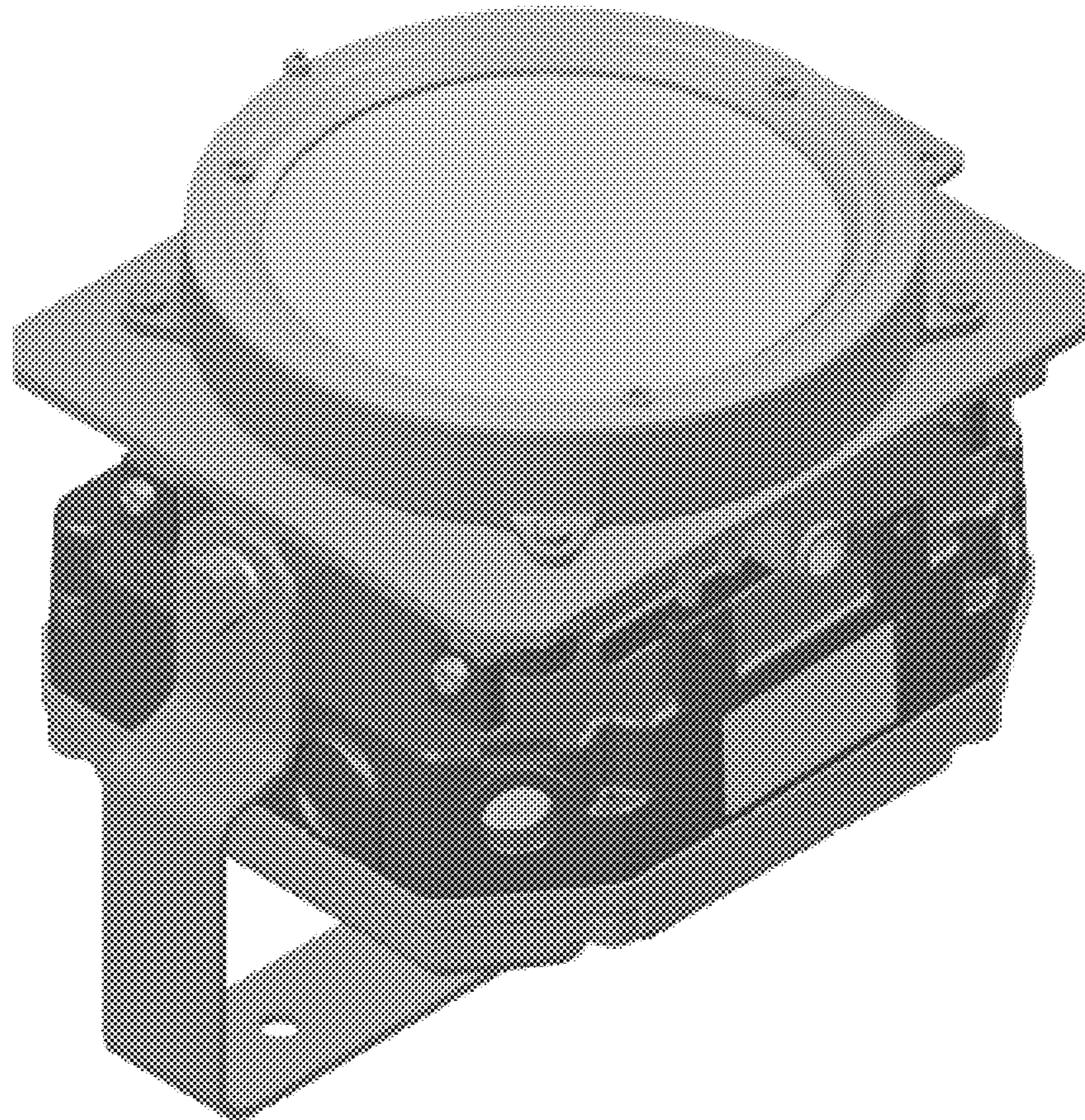


FIG. 3

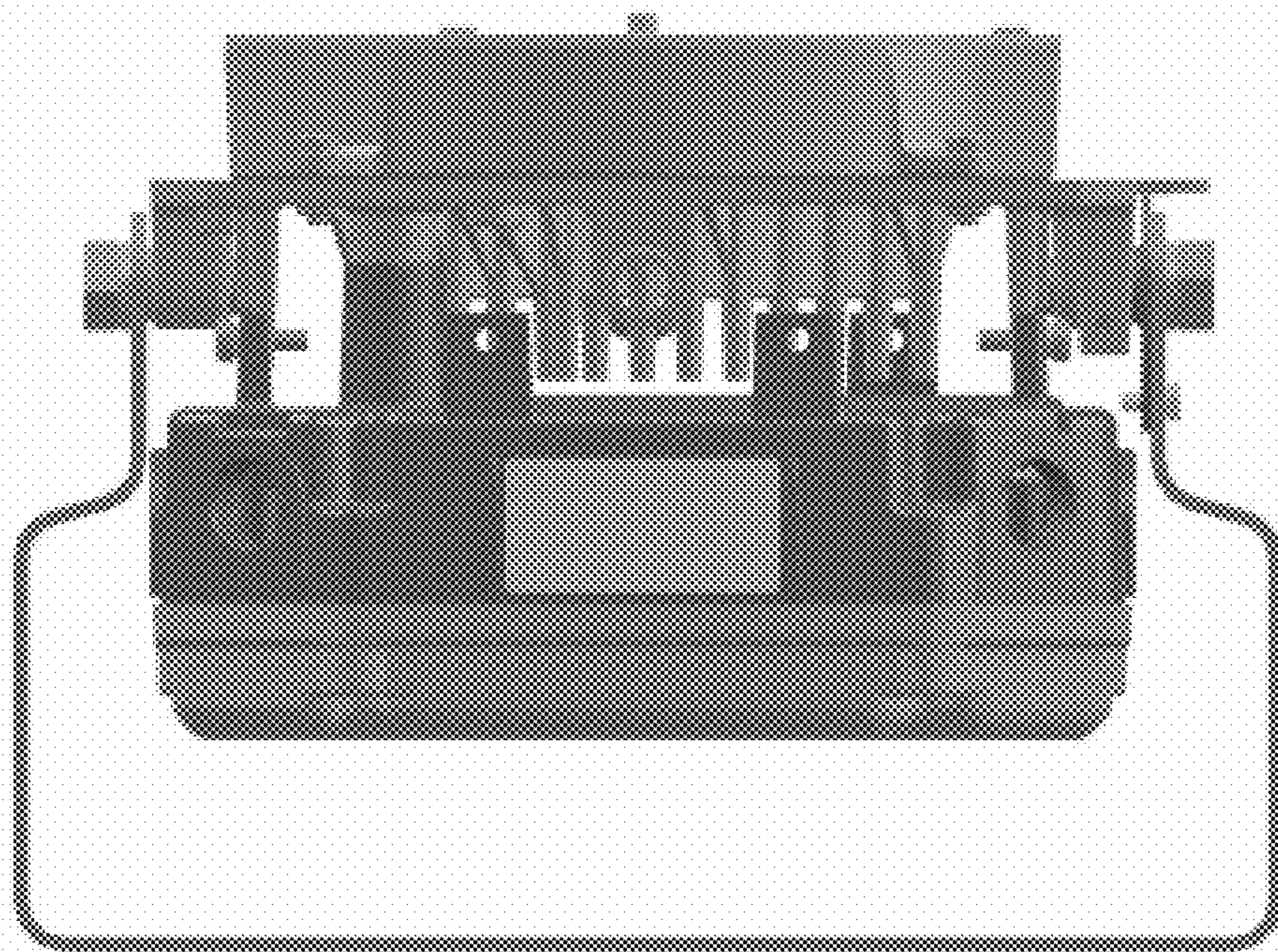


FIG. 4

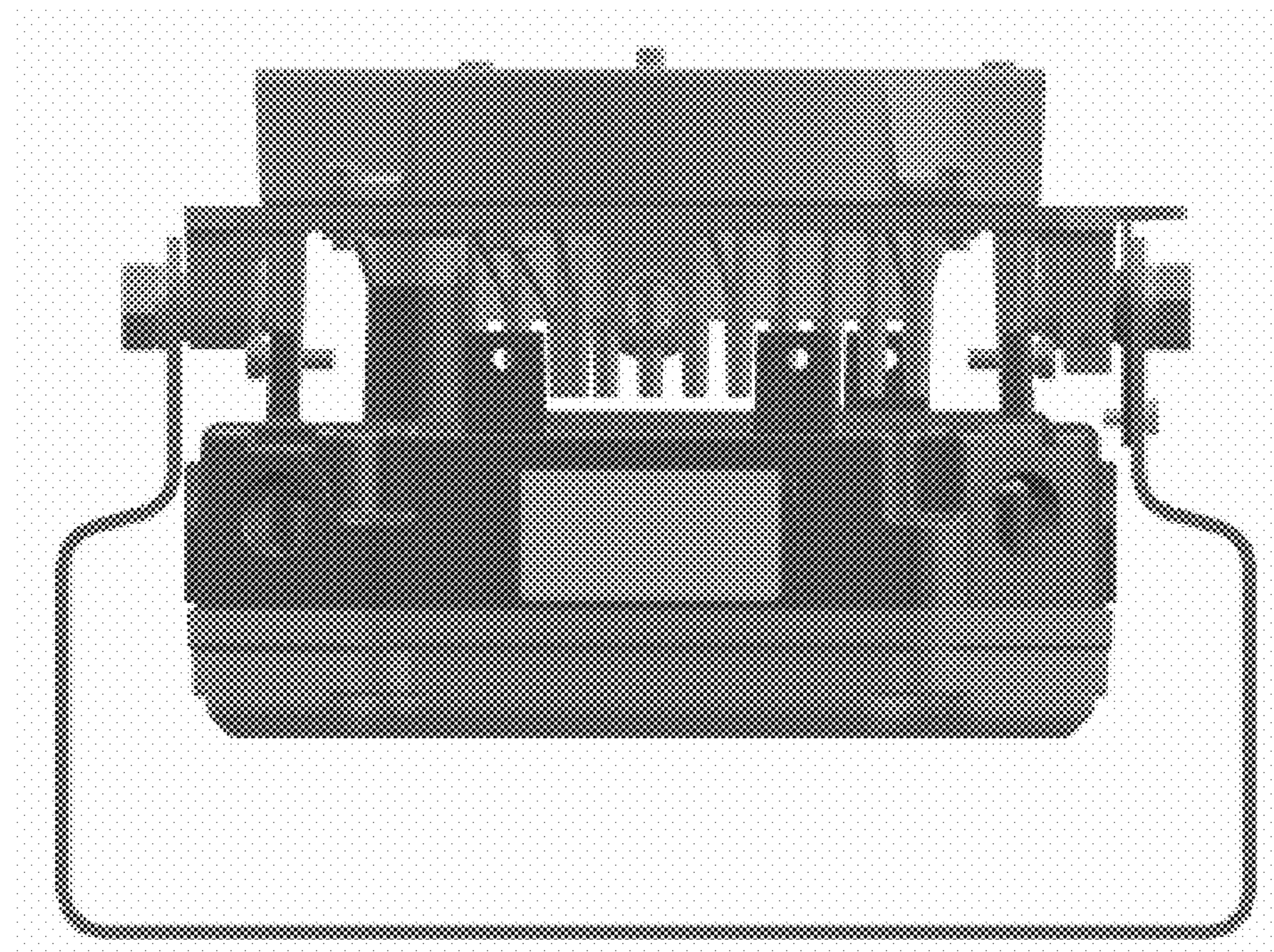


FIG. 5

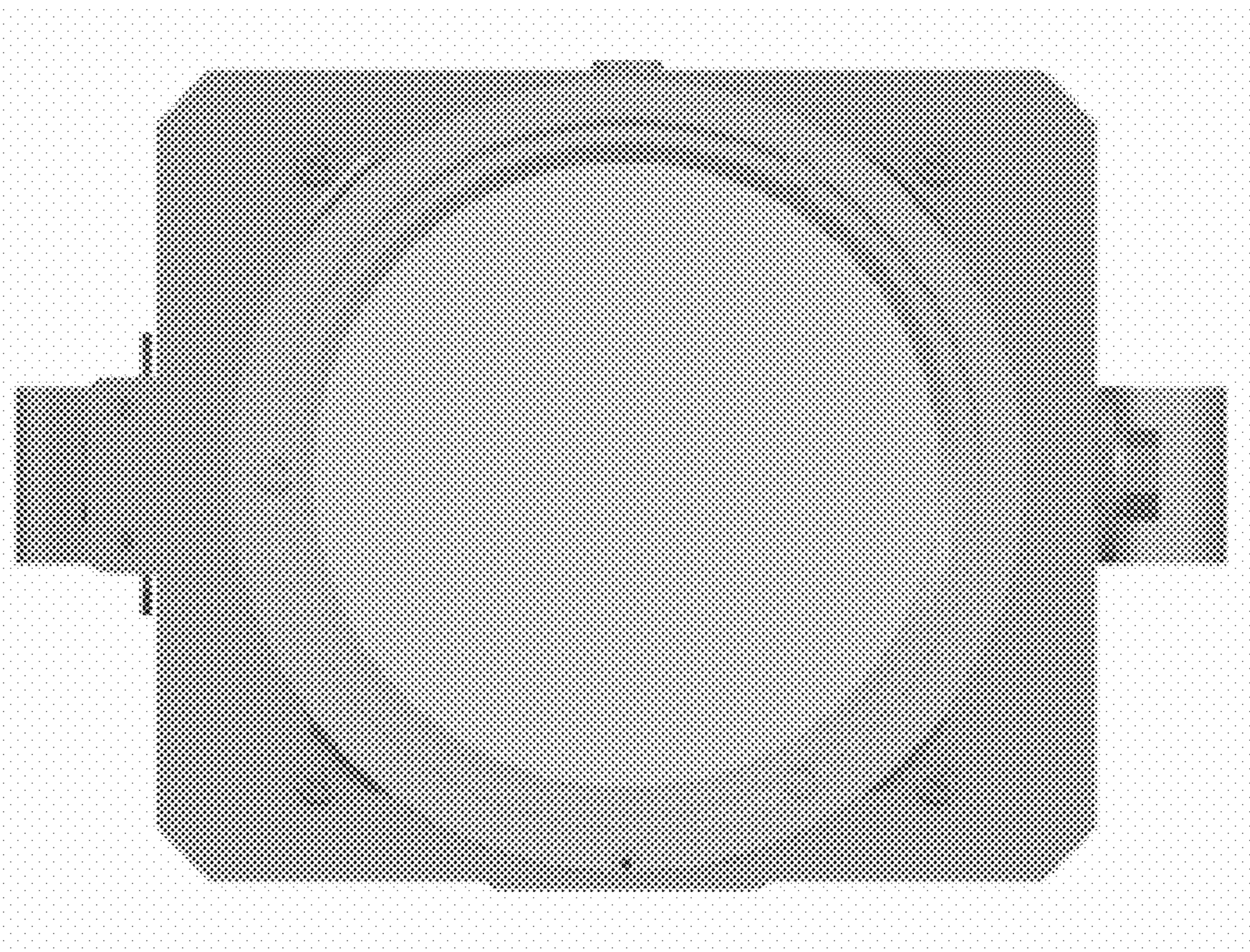


FIG. 6

