



US00D844208S

(12) **United States Design Patent**
You

(10) **Patent No.:** **US D844,208 S**
(45) **Date of Patent:** **** Mar. 26, 2019**

(54) **FOLDABLE WORK LIGHT**

(71) Applicant: **Junqiang You**, Zhejiang (CN)

(72) Inventor: **Junqiang You**, Zhejiang (CN)

(**) Term: **15 Years**

(21) Appl. No.: **29/603,450**

(22) Filed: **May 10, 2017**

(30) **Foreign Application Priority Data**

Dec. 30, 2016 (CN) 2016 3 0649480

(51) **LOC (11) Cl.** **26-03**

(52) **U.S. Cl.**
USPC **D26/63**

(58) **Field of Classification Search**
USPC D26/1, 24, 61, 63, 65, 85, 92
CPC F21V 21/14; F21V 15/01; F21V 14/02;
F21V 21/30; F21V 21/00; F21V 14/00;
F21S 8/00; F21S 8/003; F21S 8/043;
F21Y 2105/001

See application file for complete search history.

(56) **References Cited**

U.S. PATENT DOCUMENTS

D679,845 S * 4/2013 Huang D26/63
D736,442 S * 8/2015 Kovacic D26/63

D779,097 S * 2/2017 Xu D26/63
D780,969 S * 3/2017 Zhu D26/63
D796,718 S * 9/2017 Zhou D26/63

* cited by examiner

Primary Examiner — Brian N. Vinson

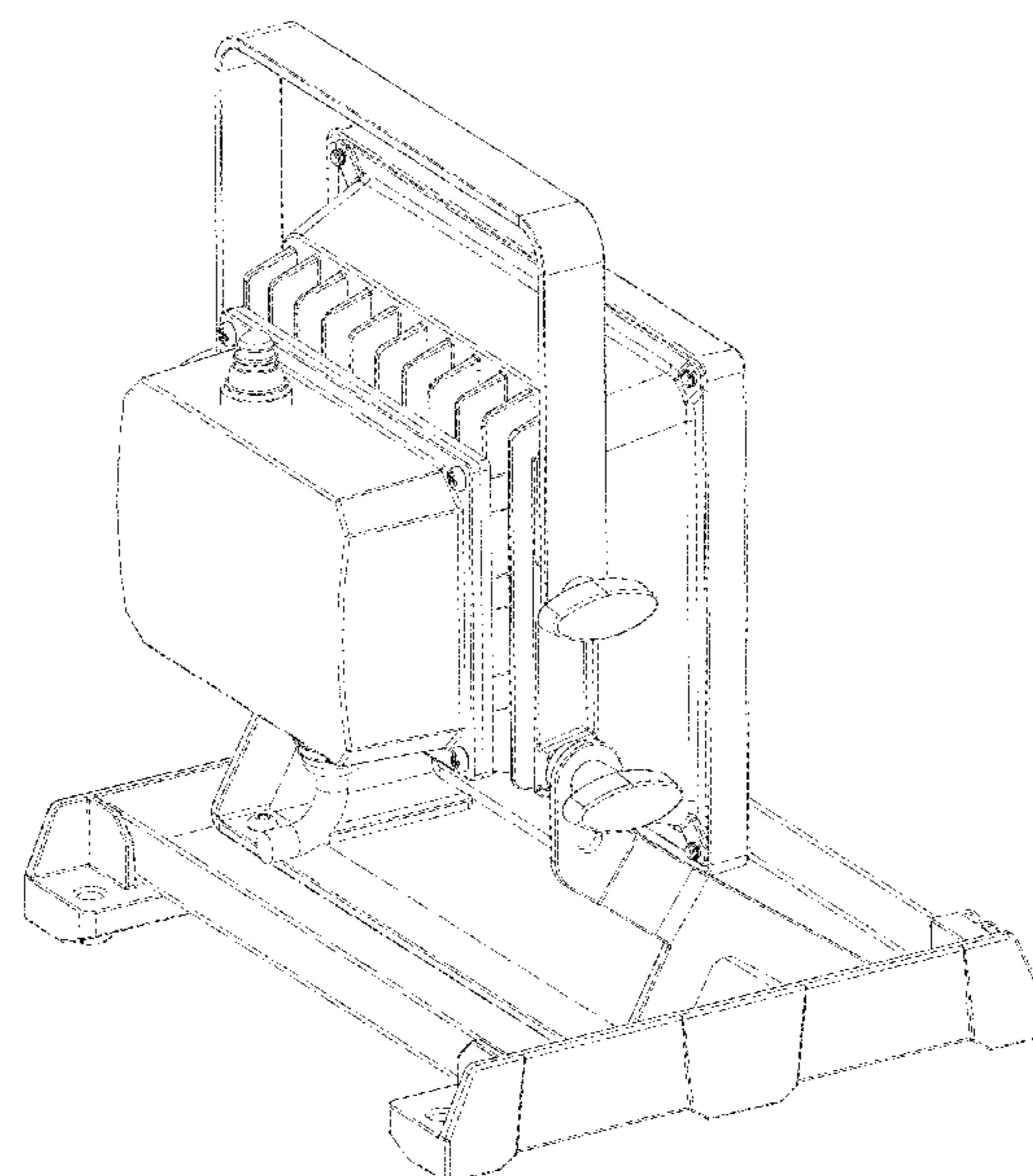
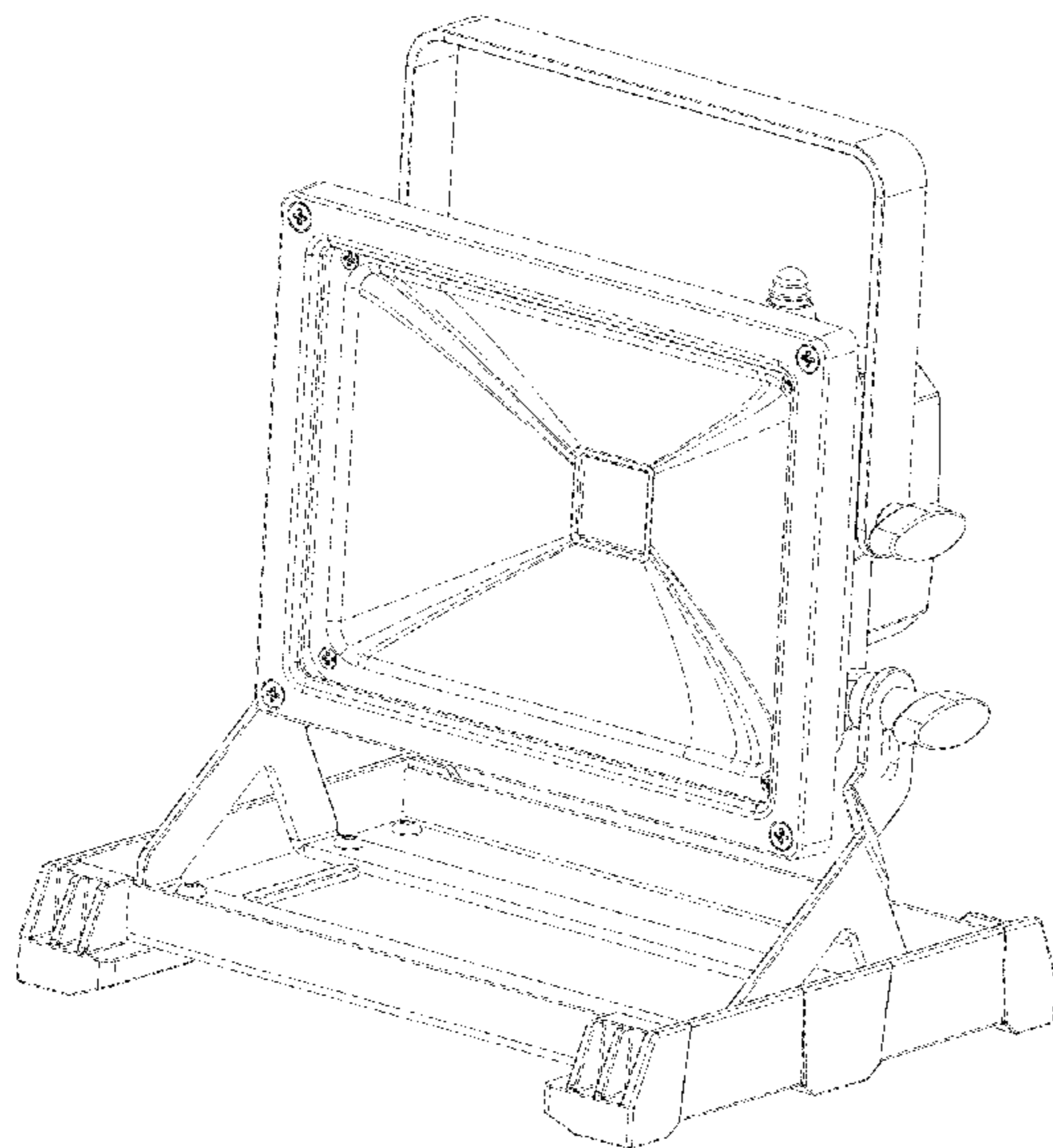
(57) **CLAIM**

The ornamental design for a foldable work light, as shown.

DESCRIPTION

FIG. 1 is a front elevational view of a foldable work light showing my new design;
FIG. 2 is a rear elevational view thereof;
FIG. 3 is a left side view thereof;
FIG. 4 is a right side view thereof;
FIG. 5 is a top plan view thereof;
FIG. 6 is a bottom plan view thereof;
FIG. 7 is a perspective view thereof;
FIG. 8 is another perspective view thereof;
FIG. 9 is a front elevational view in opened state;
FIG. 10 is a rear elevational view in opened state;
FIG. 11 is a left side view in opened state;
FIG. 12 is a right side view in opened state;
FIG. 13 is a top plan view in opened state;
FIG. 14 is a bottom plan view in opened state;
FIG. 15 is a perspective view in opened state; and,
FIG. 16 is another perspective view in opened state.

1 Claim, 14 Drawing Sheets



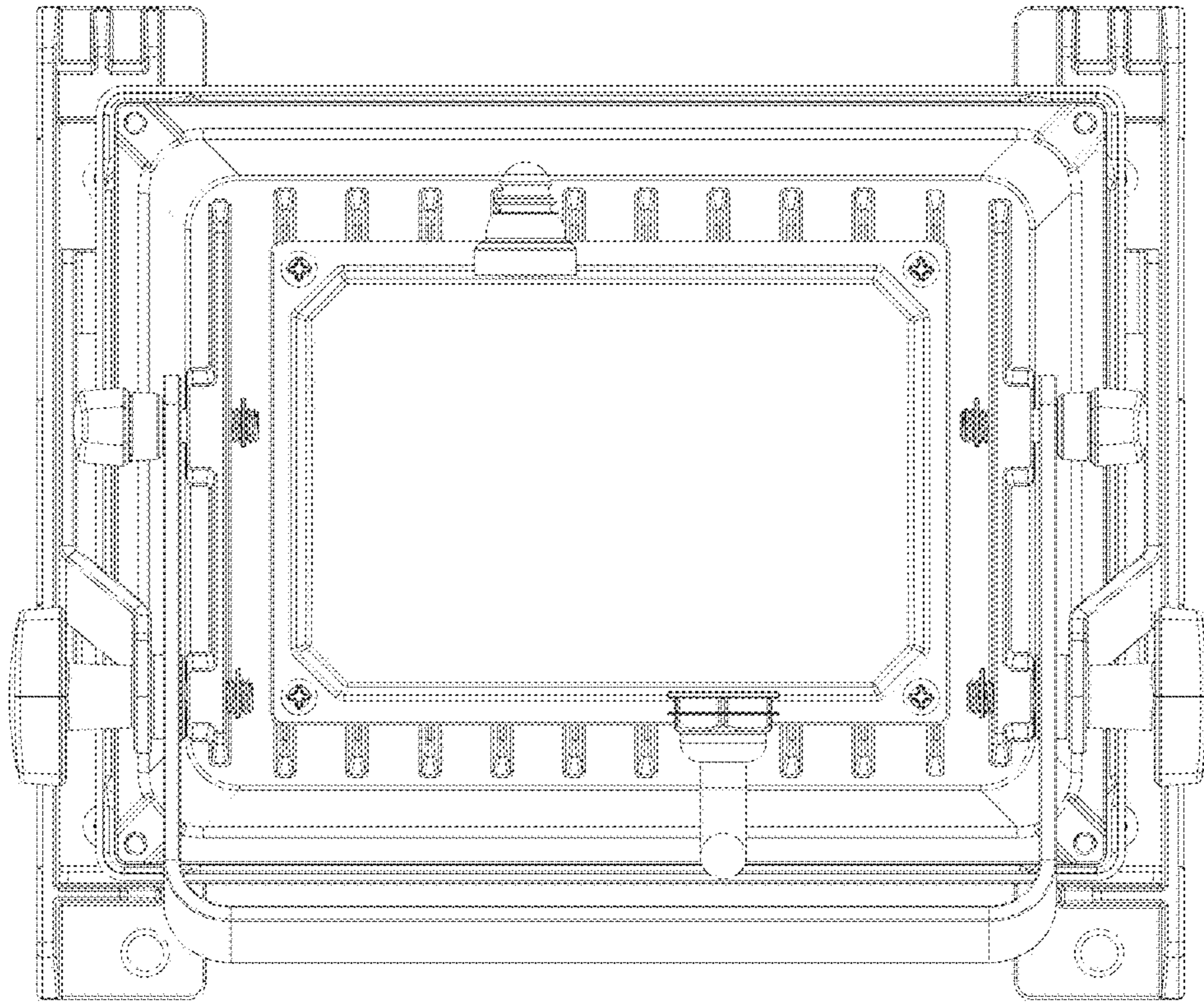


FIG. 1

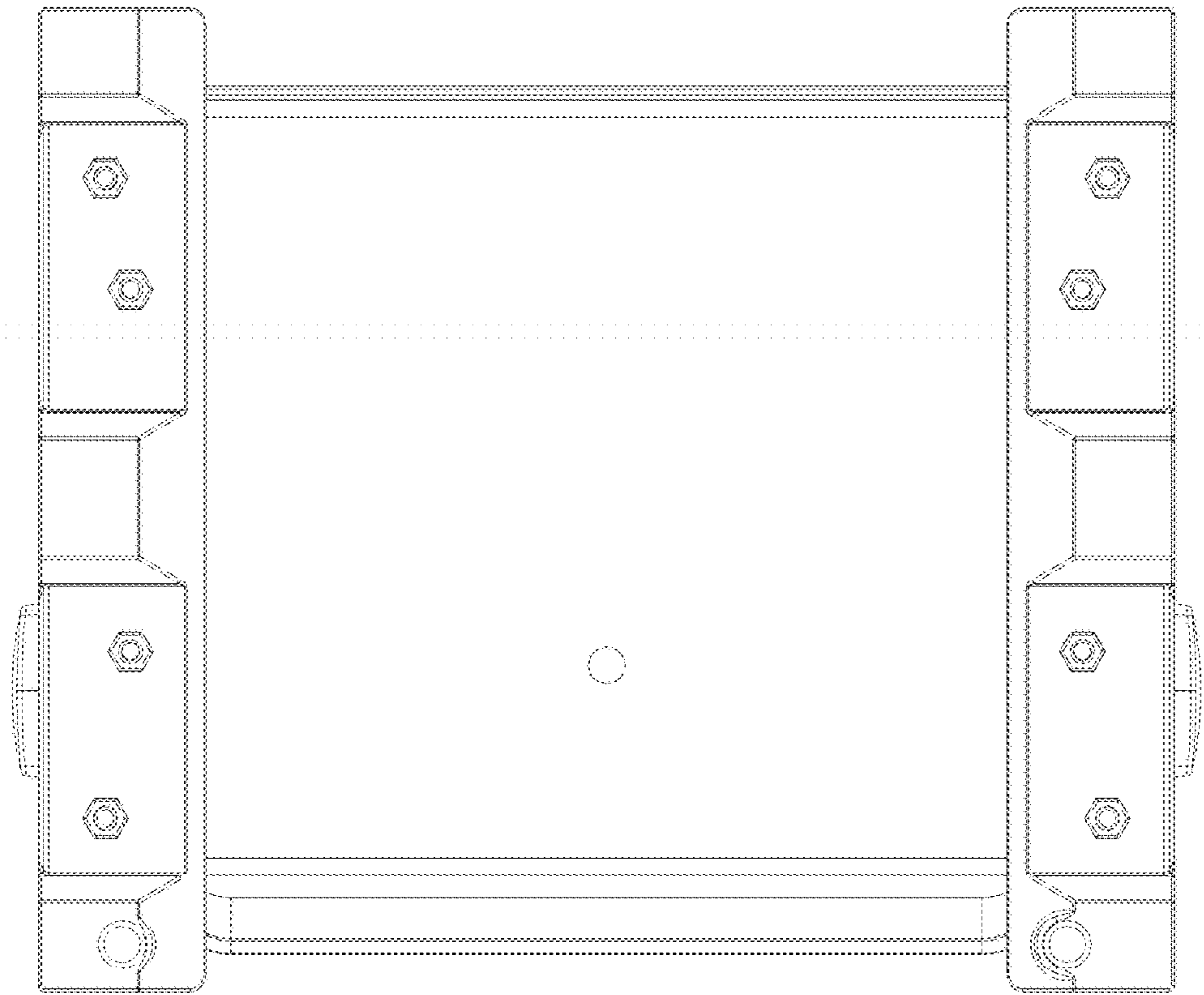


FIG. 2

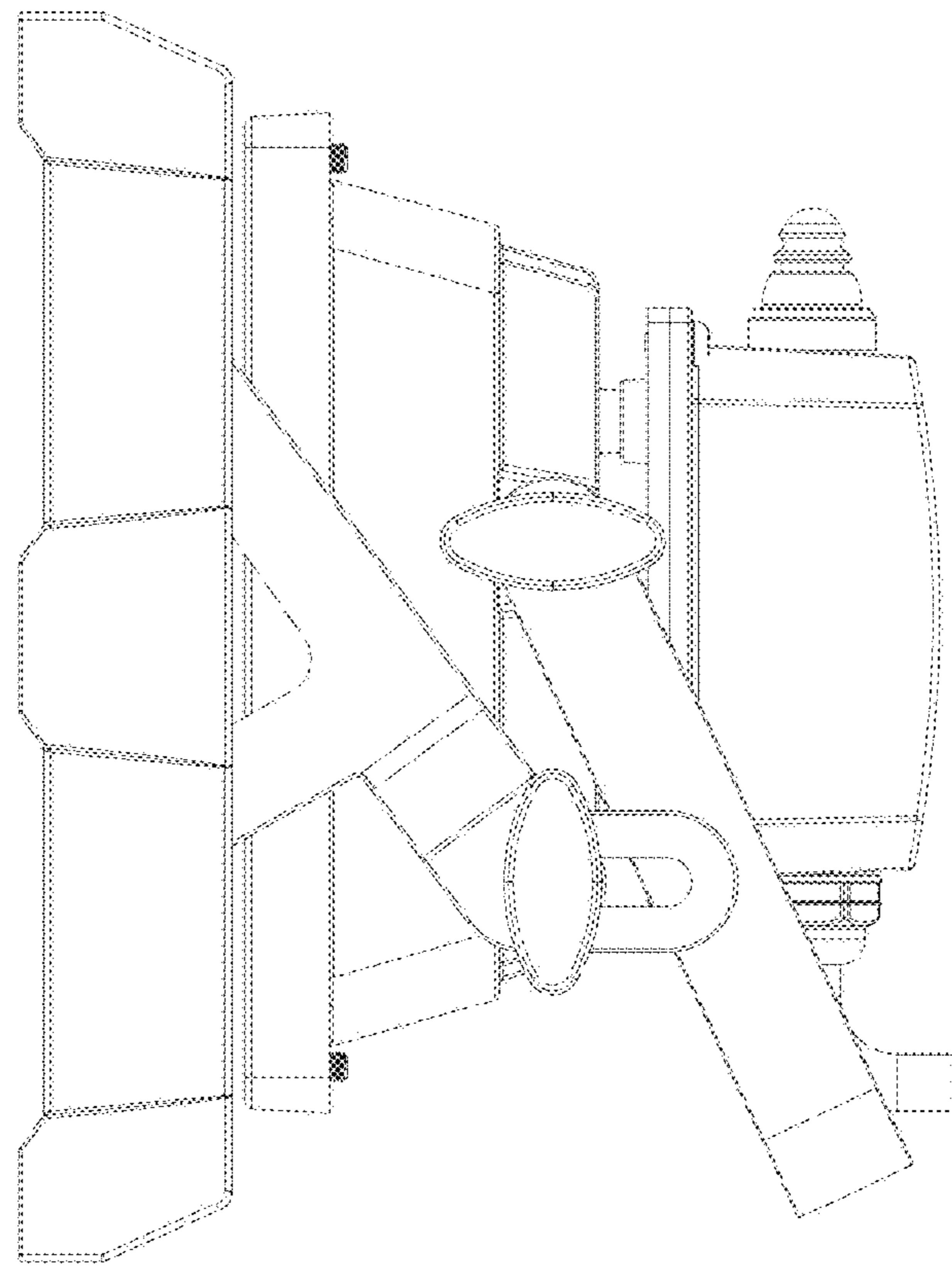


FIG. 3

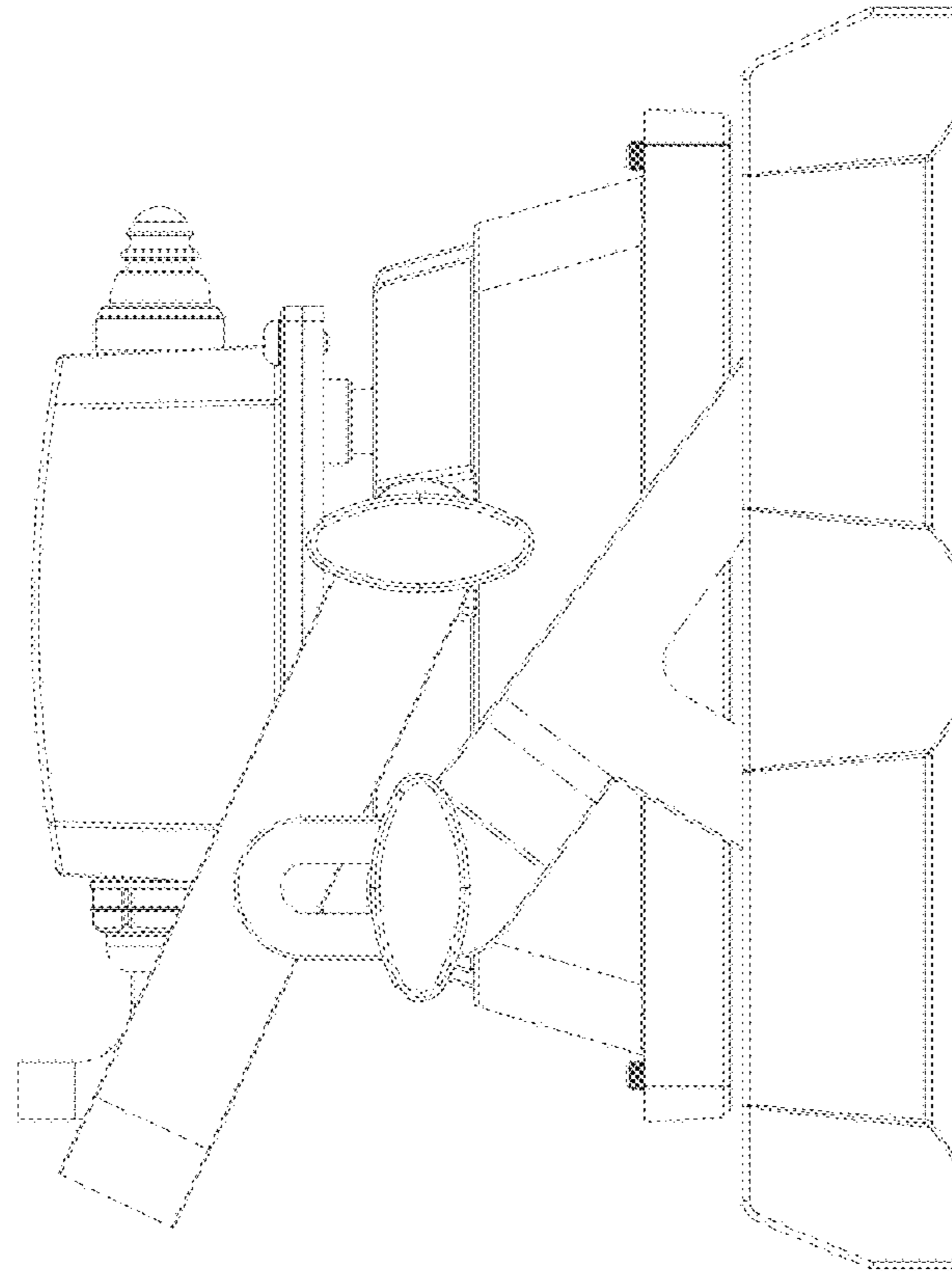


FIG. 4

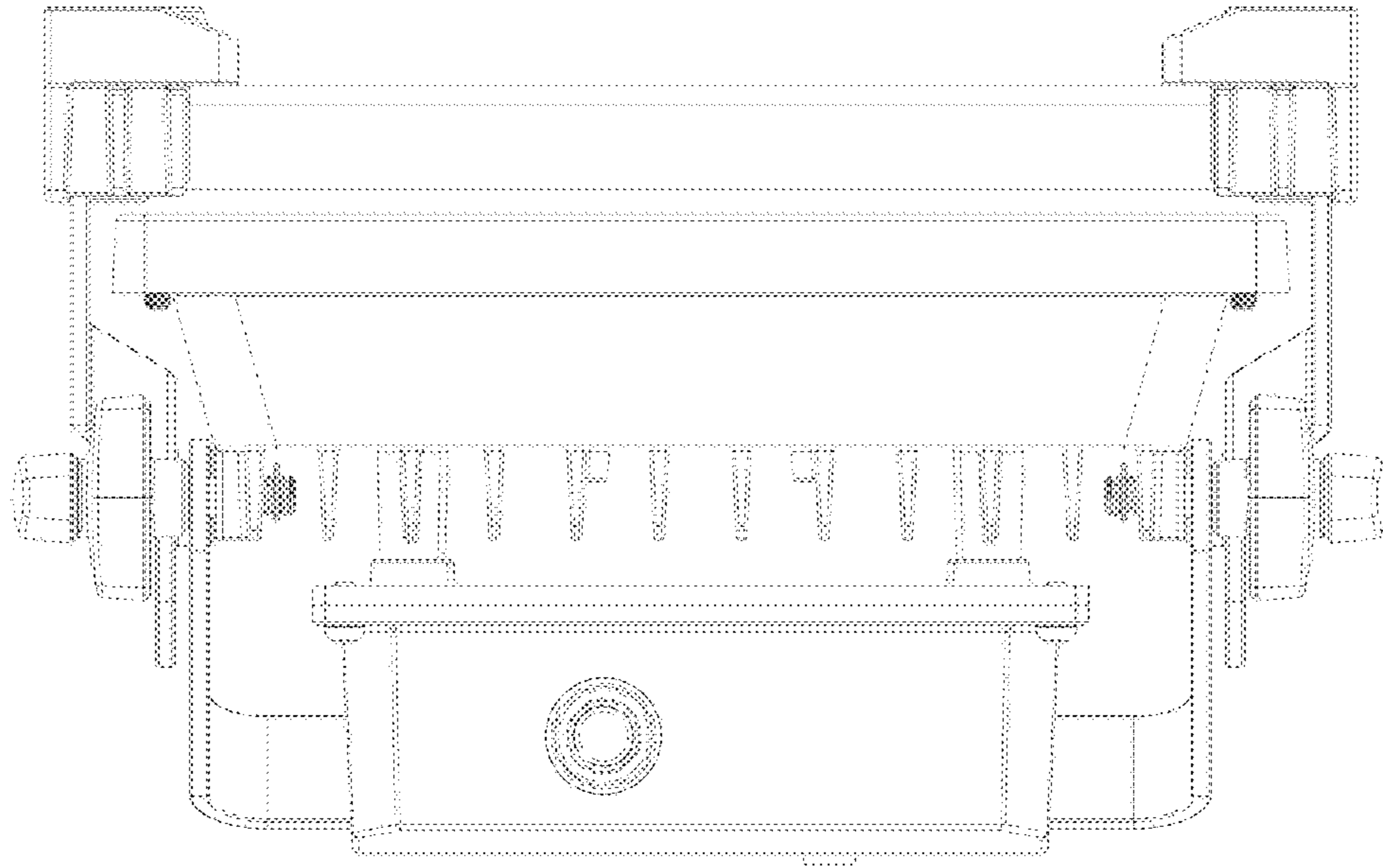


FIG. 5

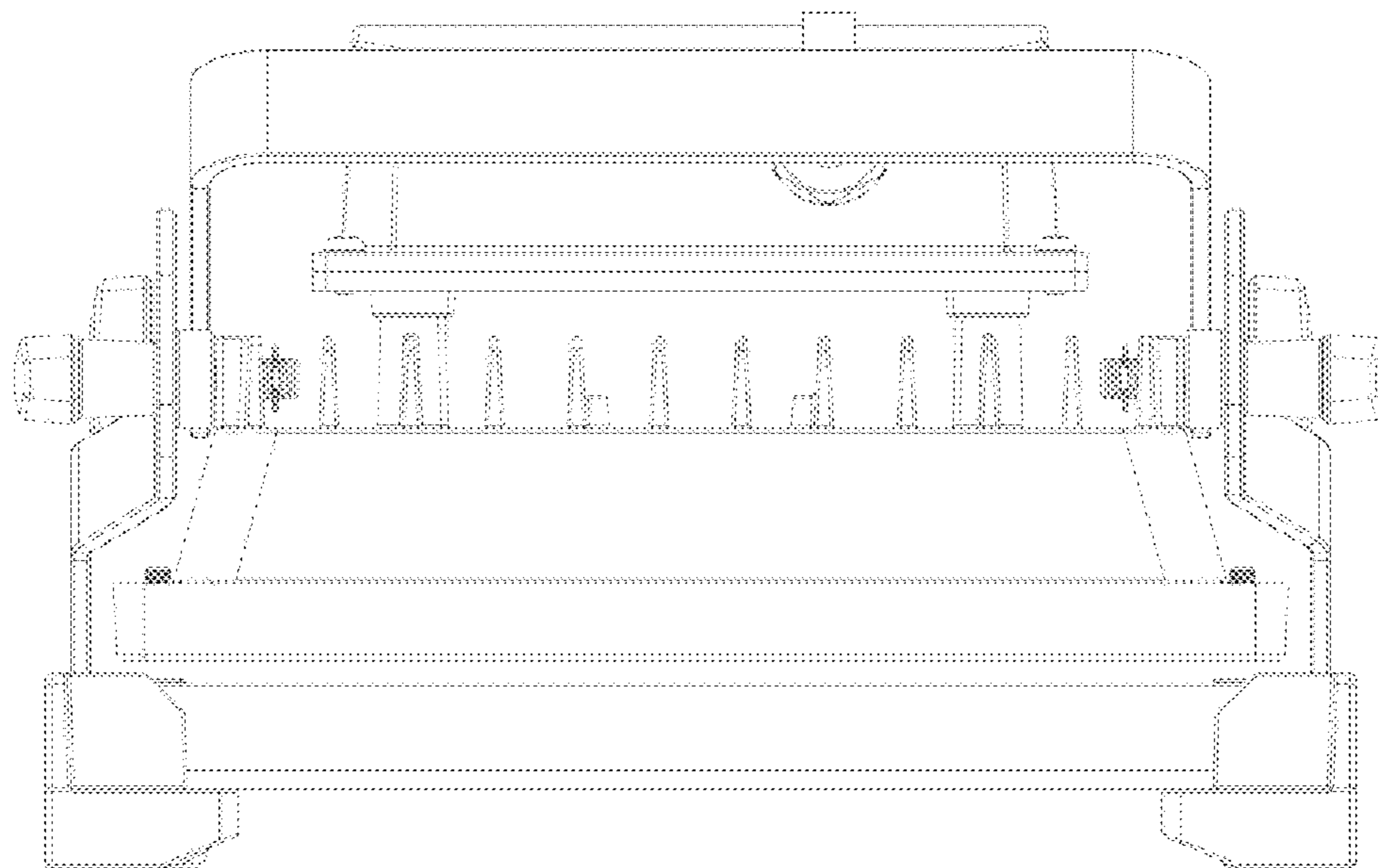


FIG. 6

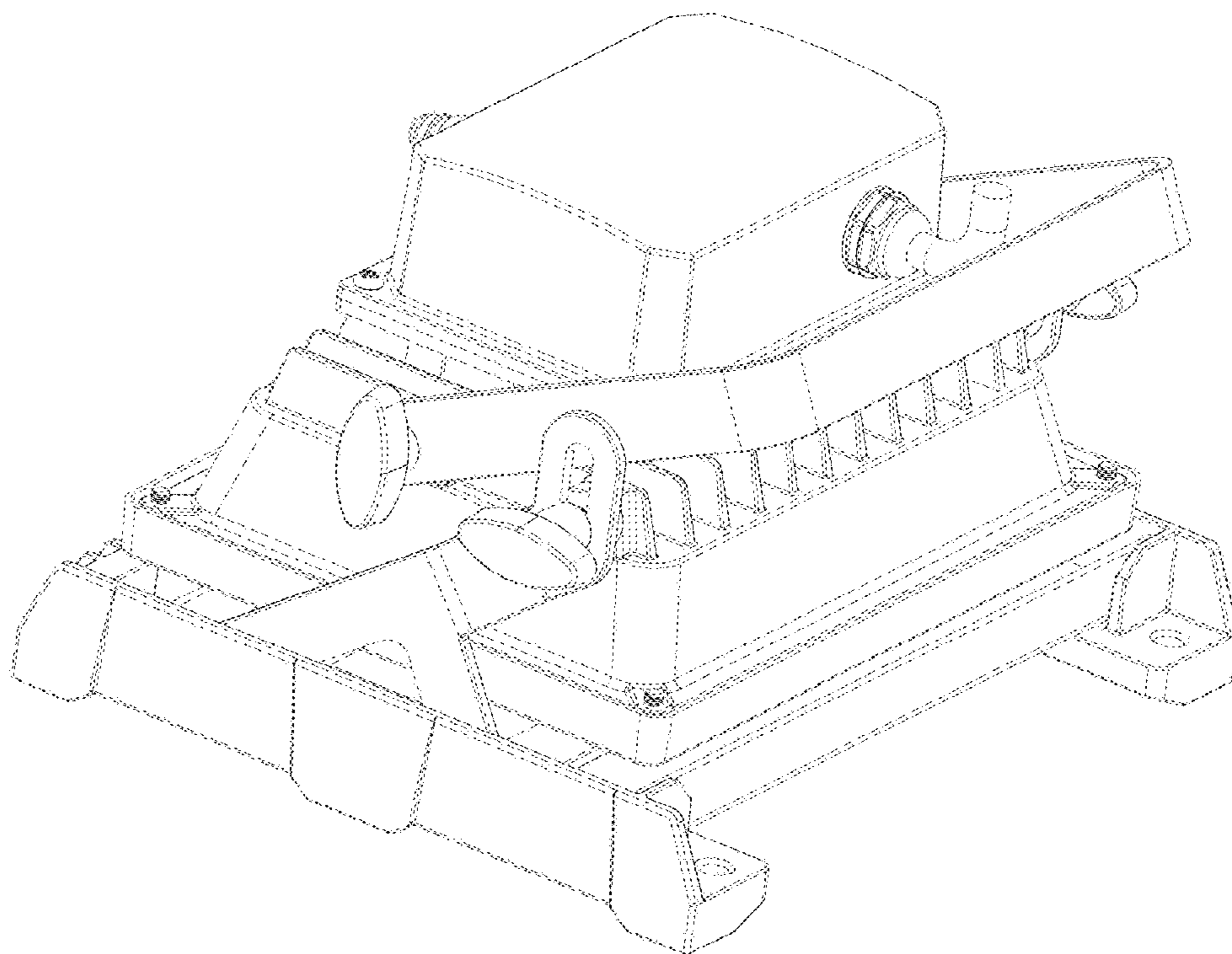


FIG. 7

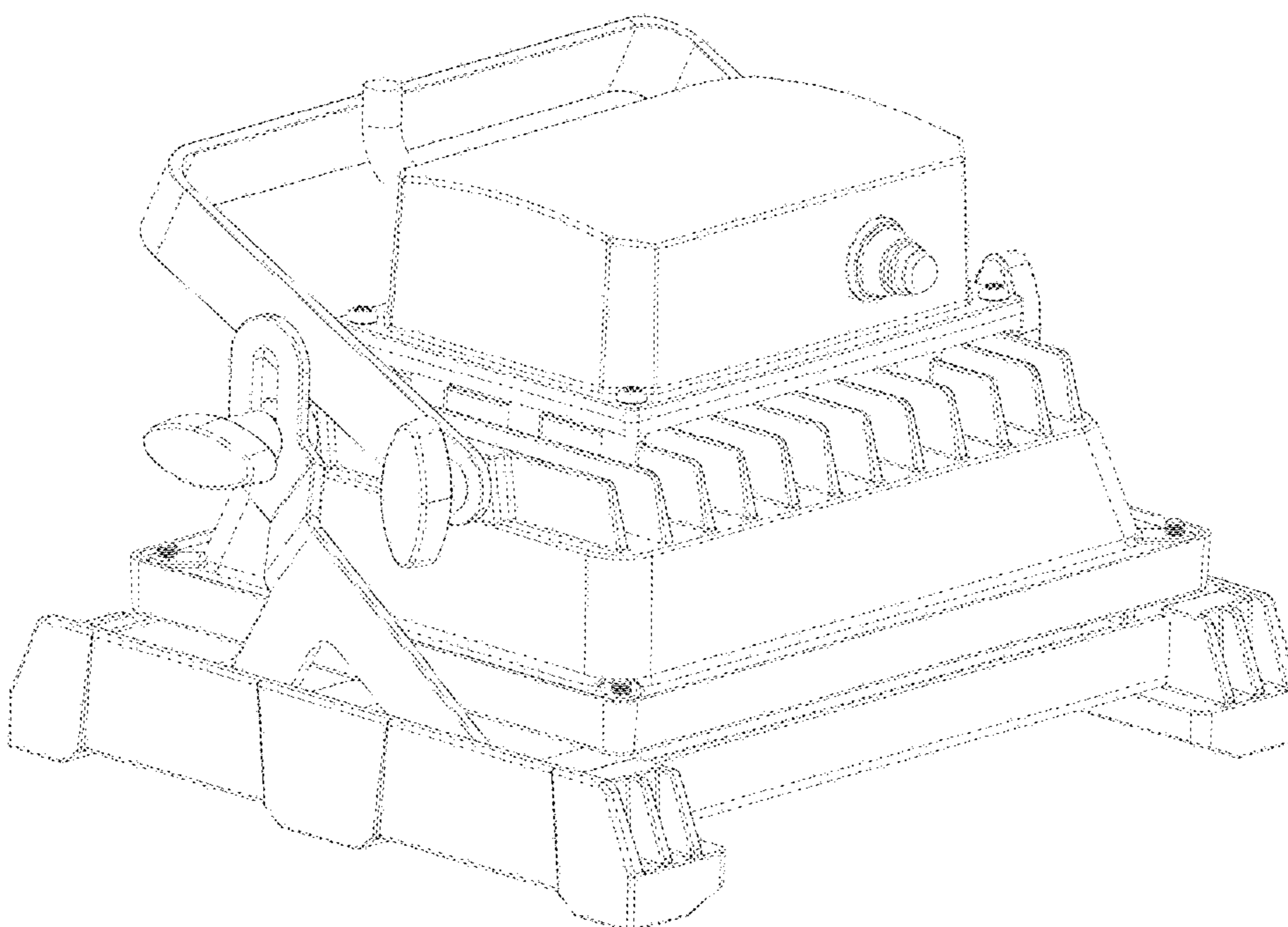


FIG. 8

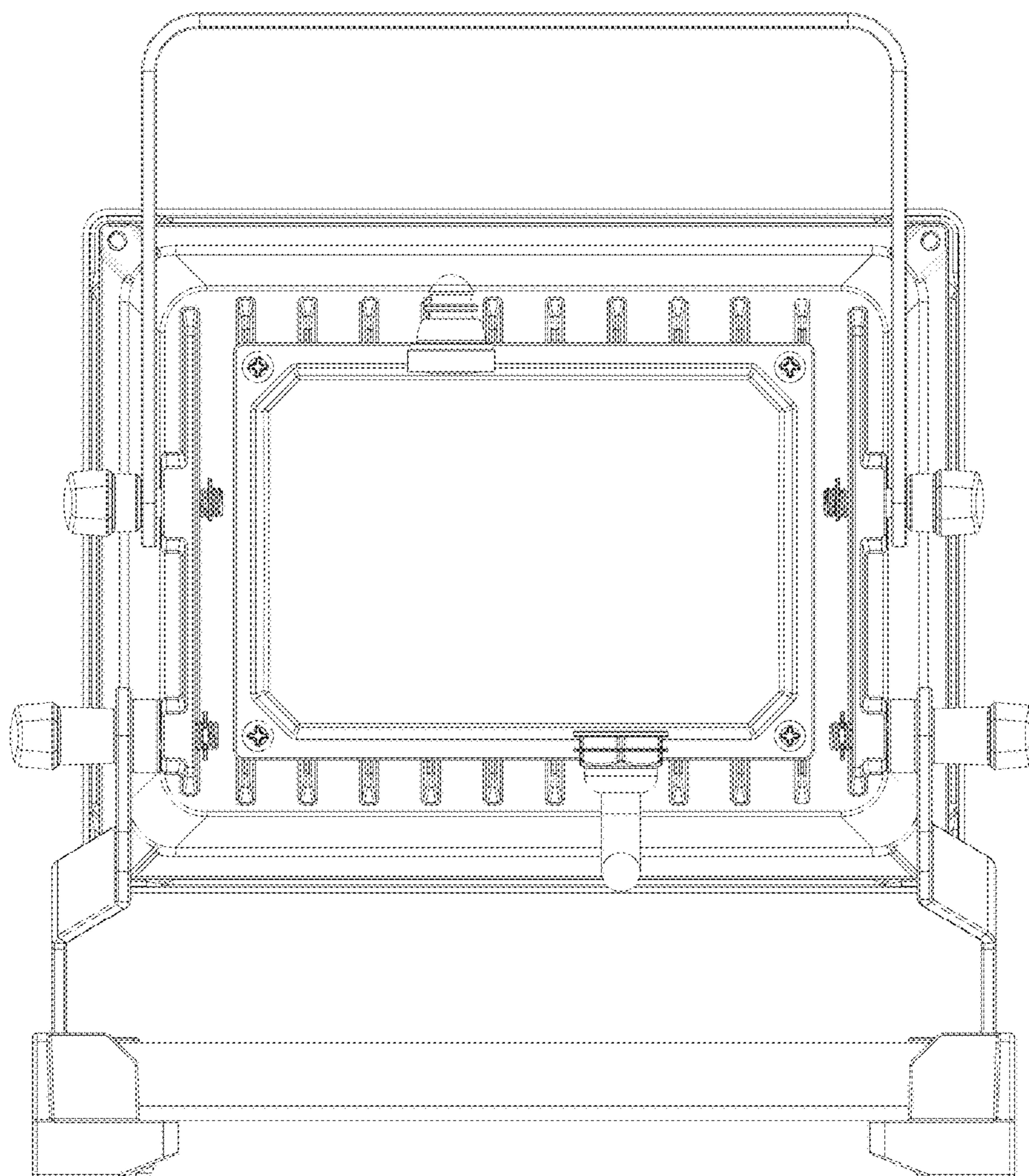


FIG. 9

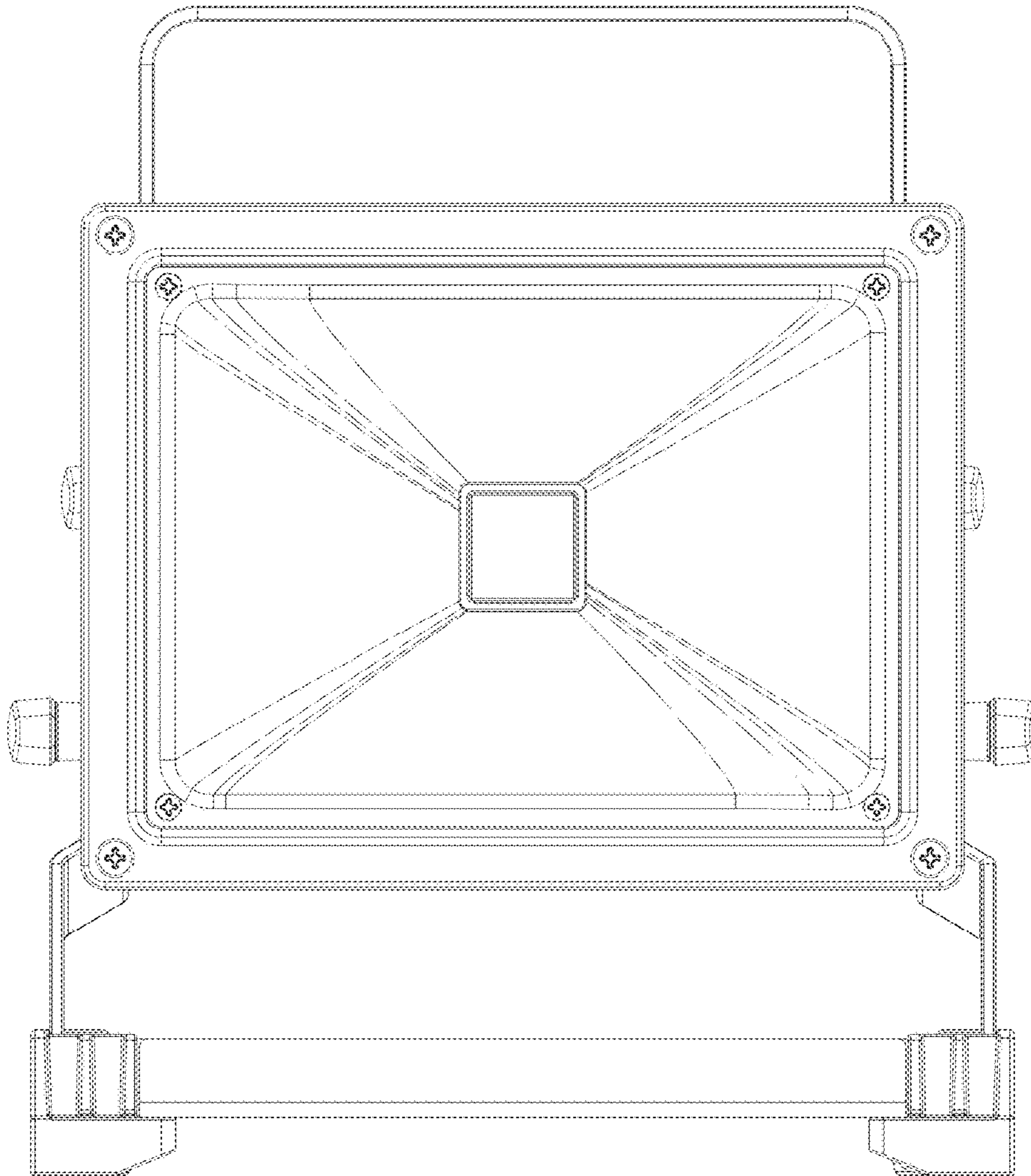


FIG. 10

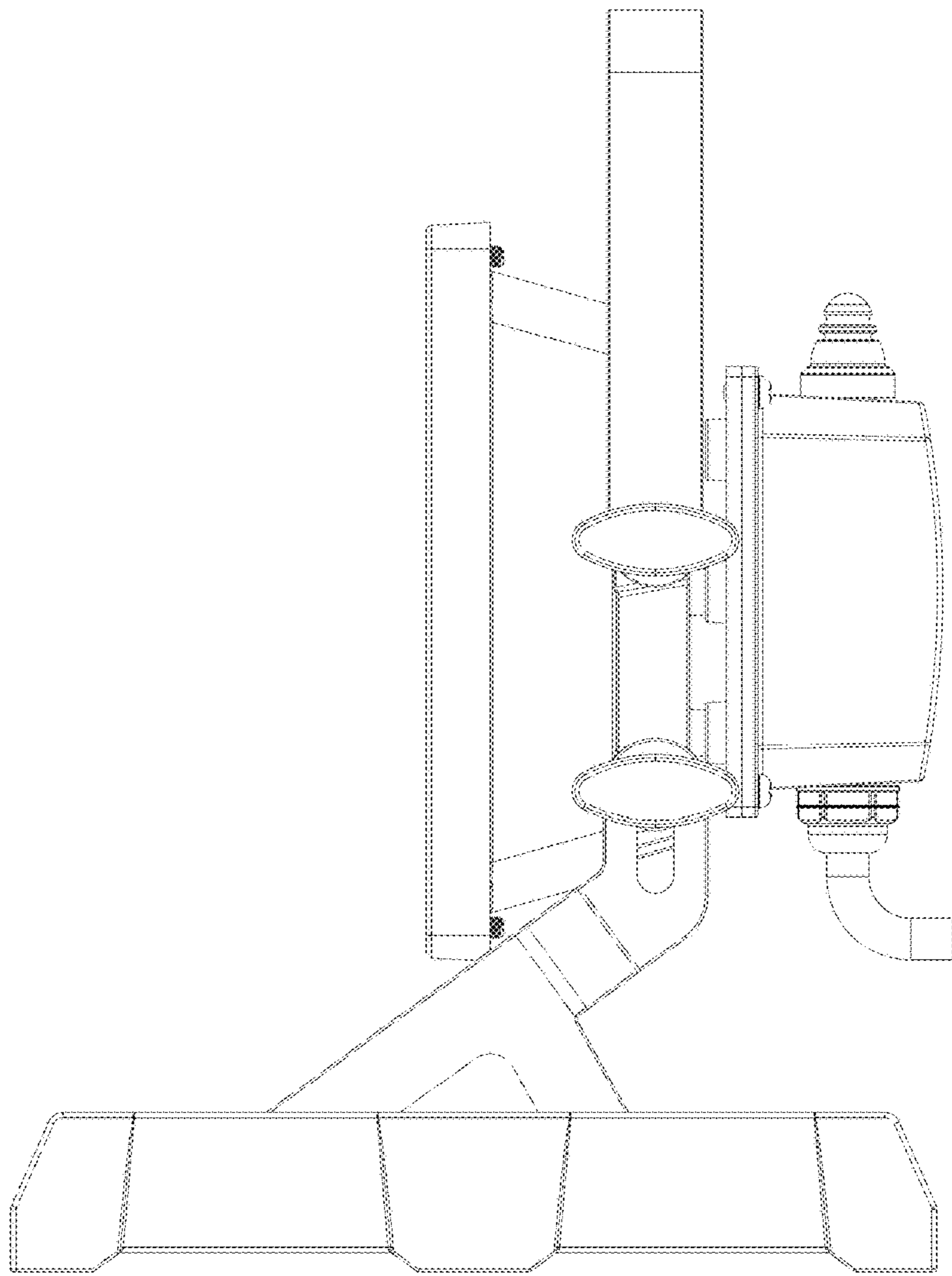


FIG. 11

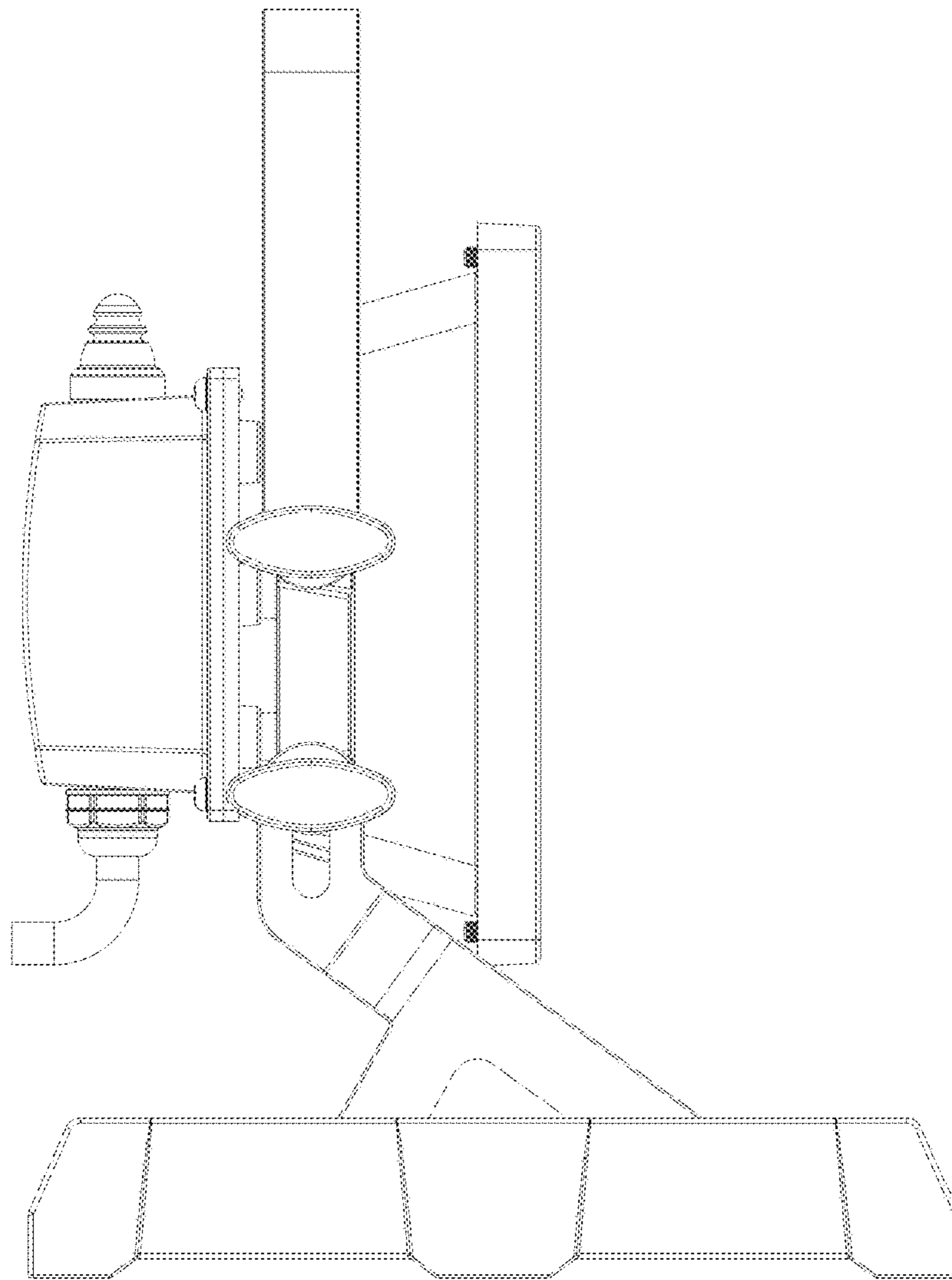


FIG. 12

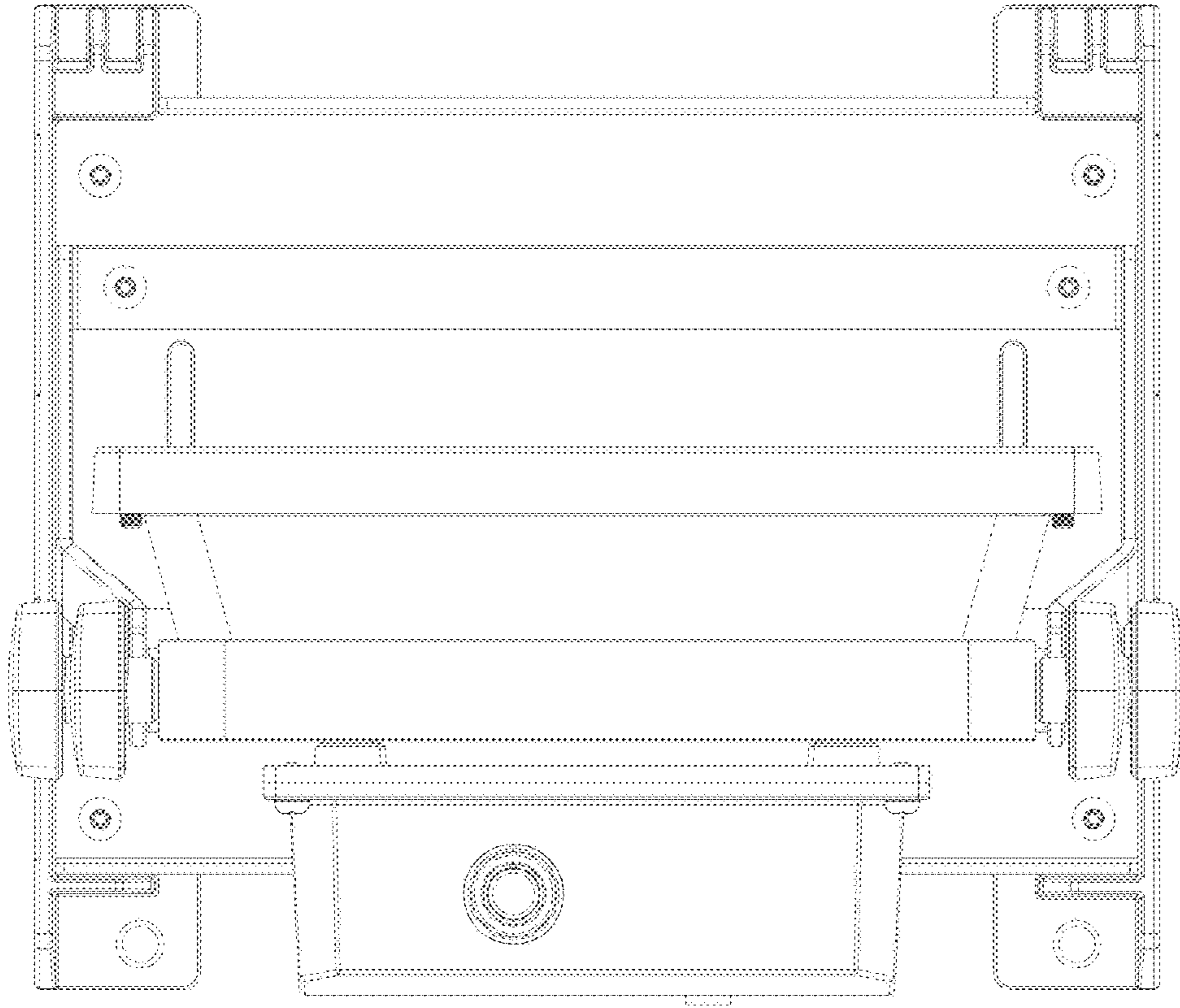


FIG. 13

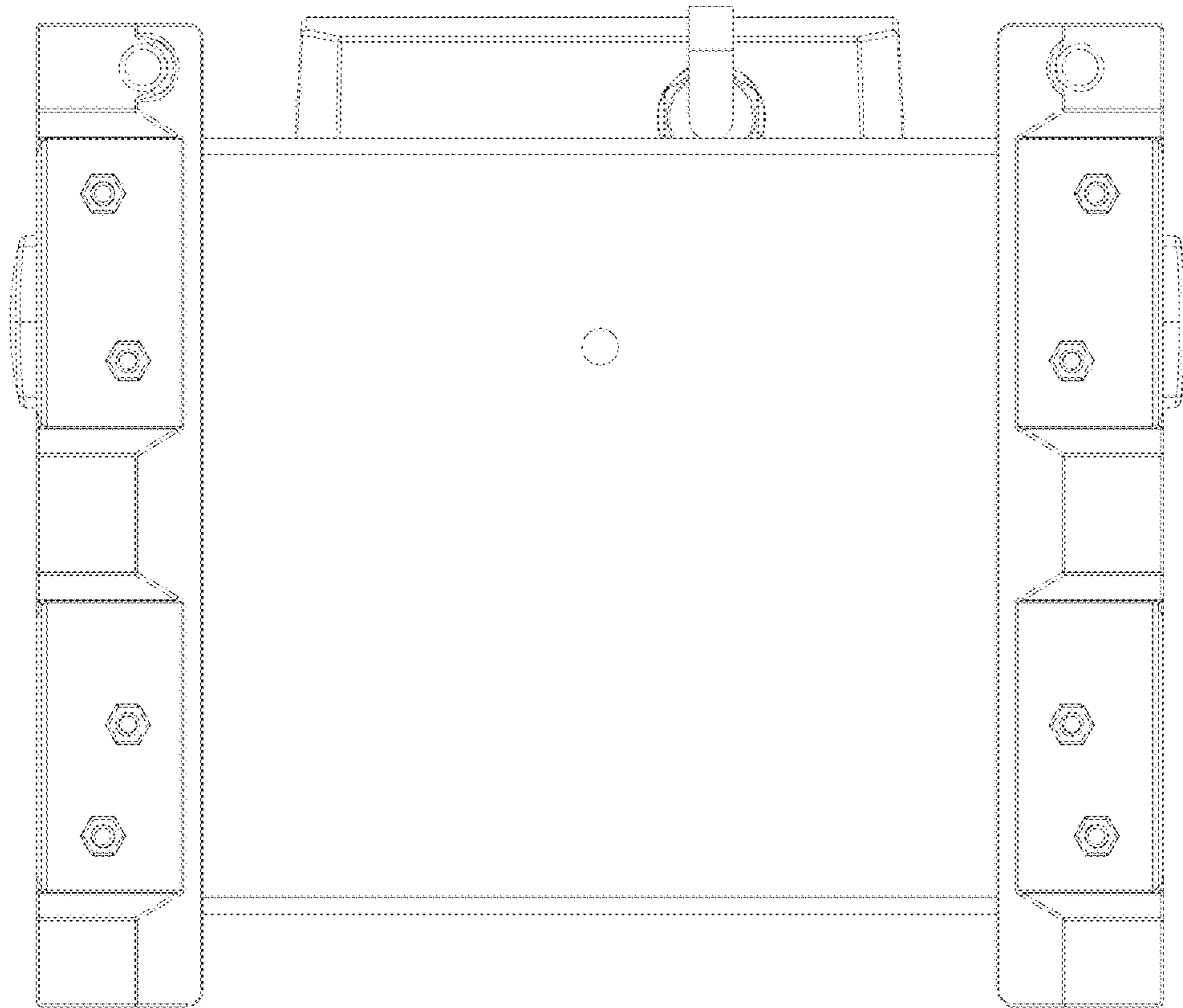


FIG. 14

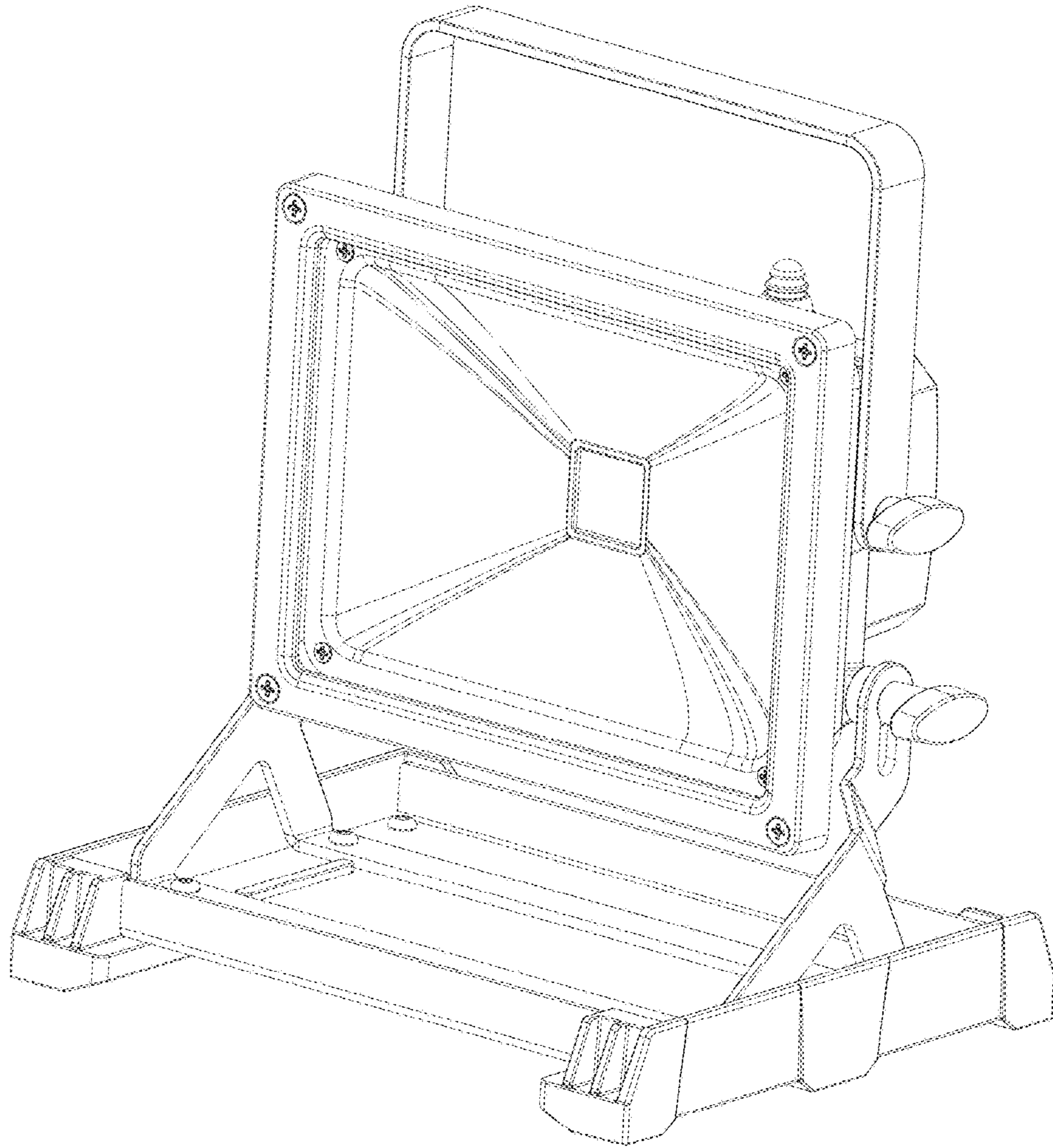


FIG. 15

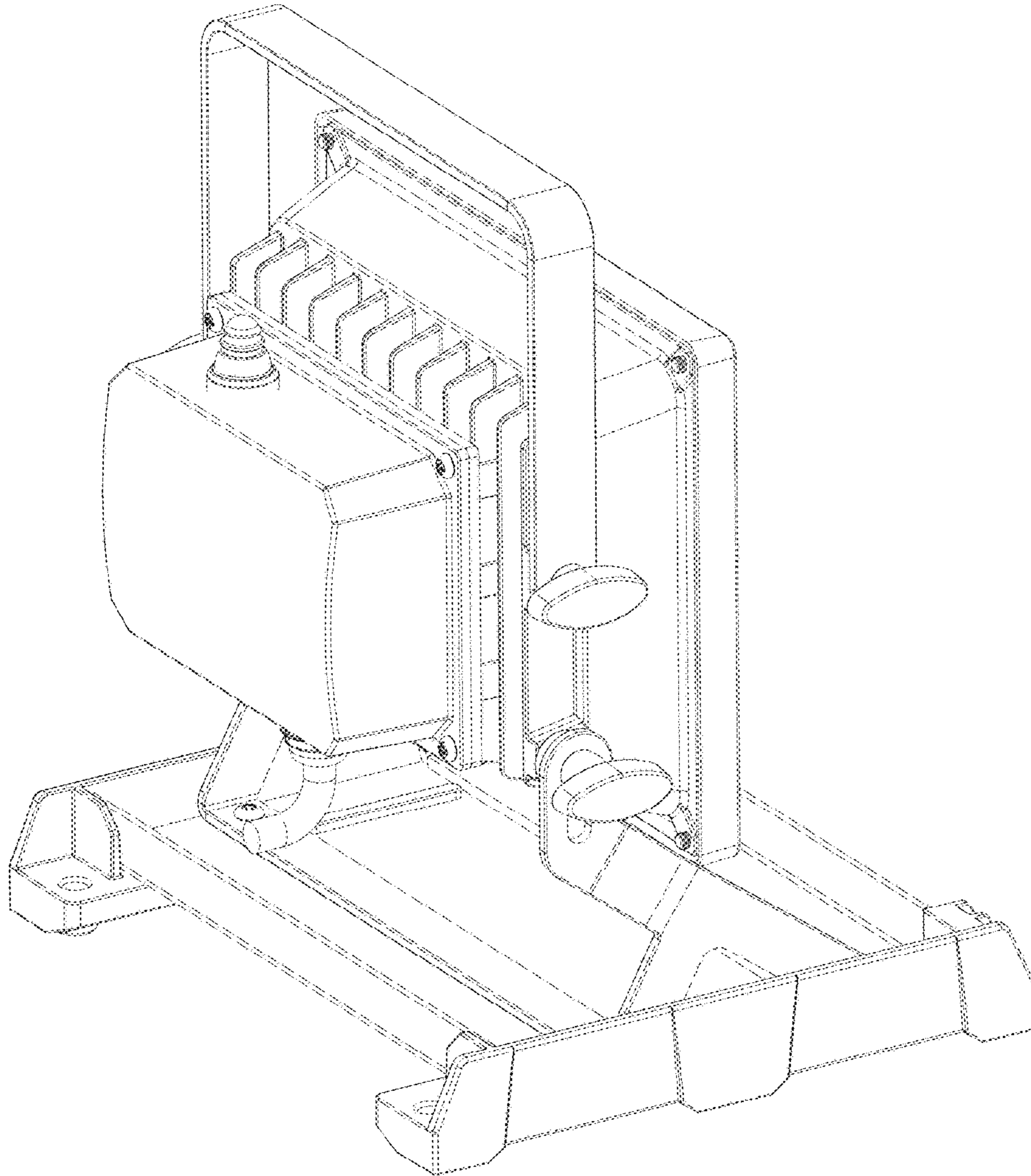


FIG. 16