

US00D844207S

(12) **United States Design Patent**
Zhang

(10) **Patent No.:** **US D844,207 S**

(45) **Date of Patent:** **** Mar. 26, 2019**

(54) **WORK LIGHT**

(71) Applicant: **Jian Feng Zhang**, Jianou (CN)

(72) Inventor: **Jian Feng Zhang**, Jianou (CN)

(73) Assignee: **Shanghai AnKe Metal Tools Co., Ltd.**,
Shanghai (CN)

(**) Term: **15 Years**

(21) Appl. No.: **29/602,950**

(22) Filed: **May 5, 2017**

(30) **Foreign Application Priority Data**

Nov. 8, 2016 (CN) 2016 3 0541319

(51) **LOC (11) Cl.** **26-03**

(52) **U.S. Cl.**
USPC **D26/63**

(58) **Field of Classification Search**

USPC D26/1, 24, 61, 63, 65, 85, 92

CPC F21V 21/14; F21V 15/01; F21V 14/02;

F21V 21/30; F21V 21/00; F21V 14/00;

F21S 8/00; F21S 8/003; F21S 8/043;

F21Y 2105/001

See application file for complete search history.

(56) **References Cited**

U.S. PATENT DOCUMENTS

D625,870 S *	10/2010	Feigenbaum	D26/63
D695,435 S *	12/2013	Pedersen	D26/63
D702,387 S *	4/2014	Pedersen	D26/63
D736,982 S *	8/2015	Yasuji Fletcher	D26/63
D761,473 S *	7/2016	Zhang	D26/63
D762,902 S *	8/2016	Ke	D26/63
D797,339 S *	9/2017	Wang	D26/63
D803,449 S *	11/2017	Xu	D26/63
D808,560 S *	1/2018	Devappa	D26/63

* cited by examiner

Primary Examiner — Brian N. Vinson

(57) **CLAIM**

The ornamental design for a work light, as shown and described.

DESCRIPTION

FIG. 1 is a perspective view of a work light showing my new design;

FIG. 2 is a rear elevational view thereof;

FIG. 3 is a top elevational view thereof;

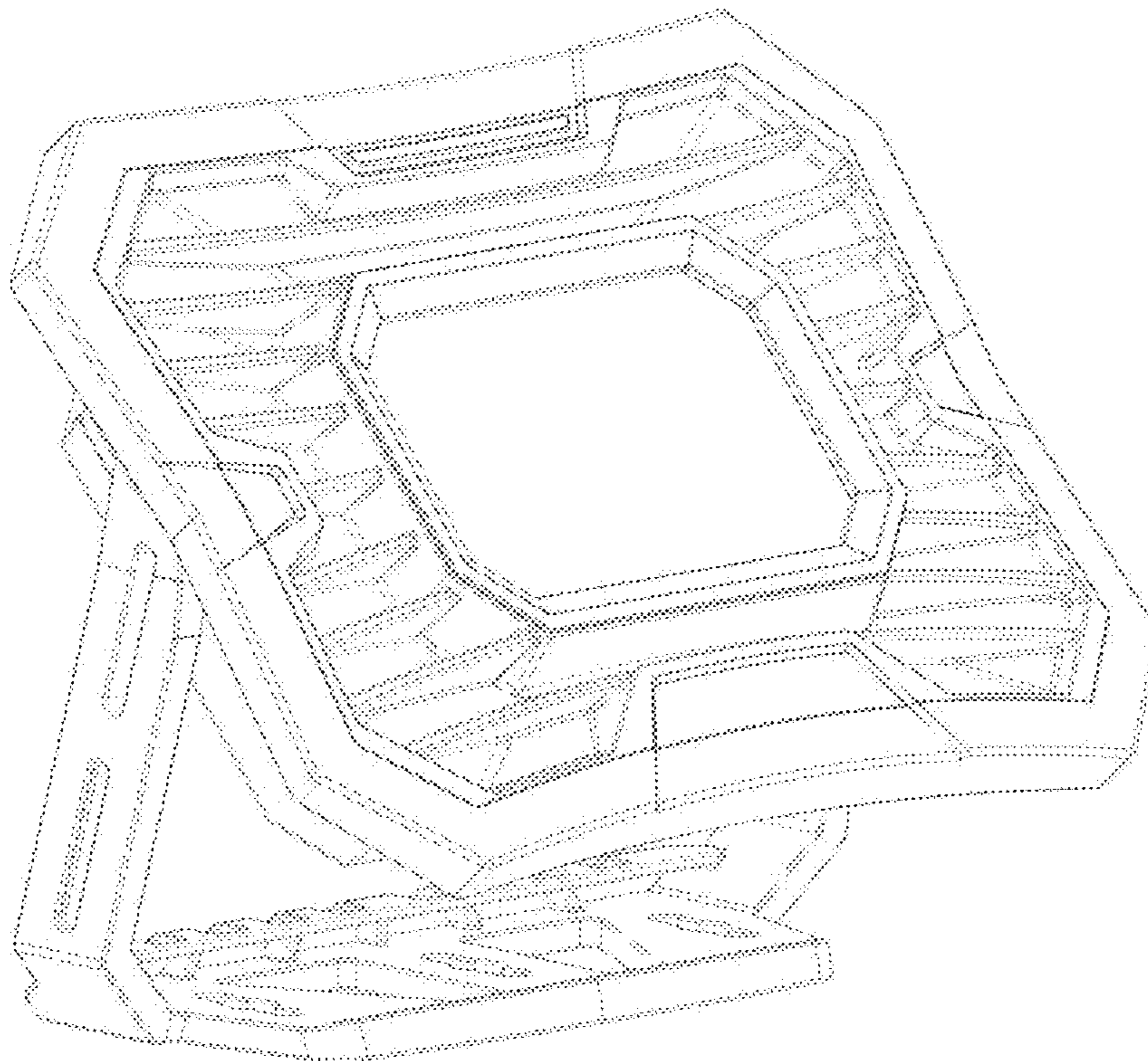
FIG. 4 is a left side elevational view thereof;

FIG. 5 is a right side elevational view thereof;

FIG. 6 is a front plan view thereof; and,

FIG. 7 is a bottom plan view thereof.

1 Claim, 7 Drawing Sheets



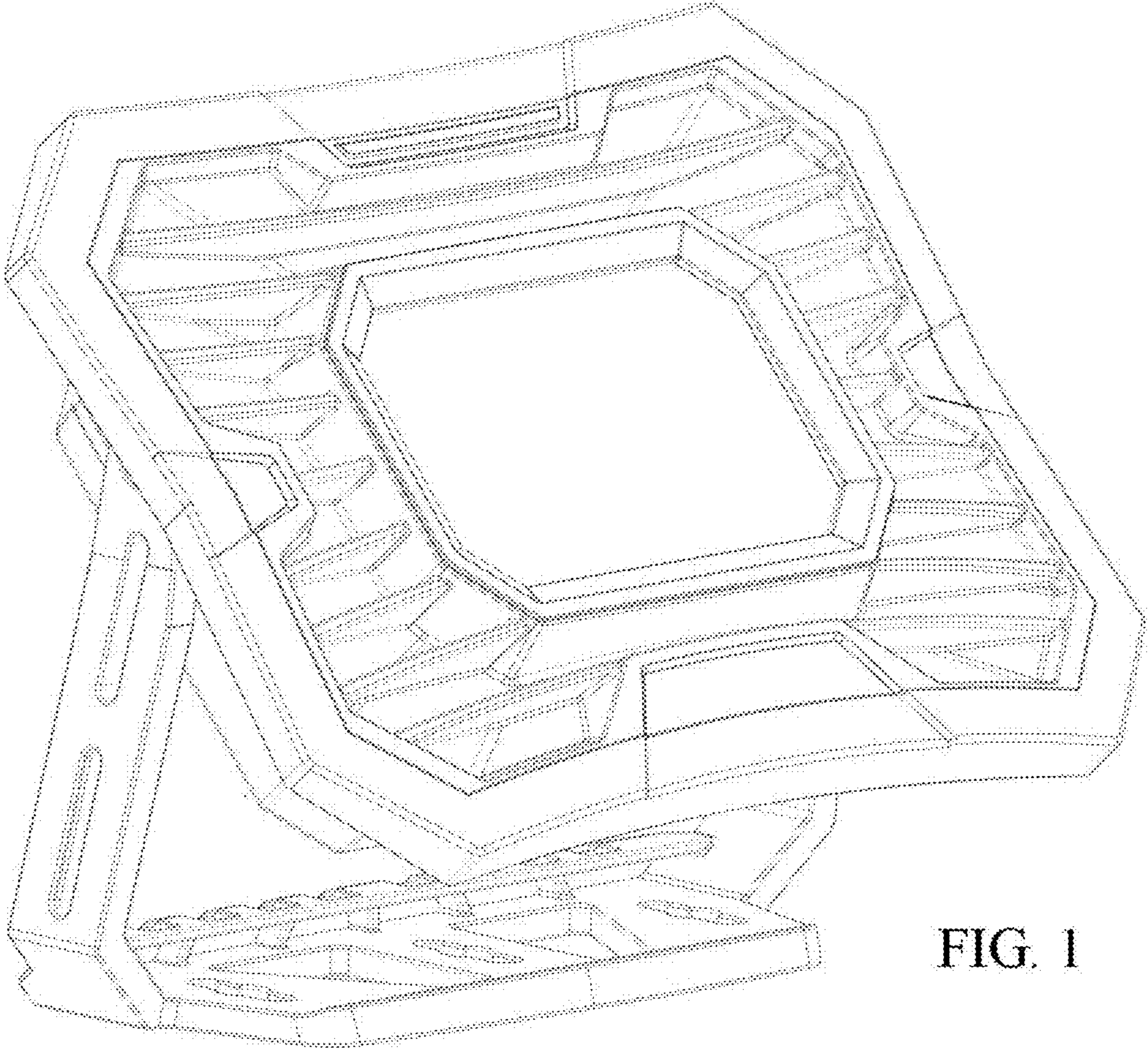


FIG. 1

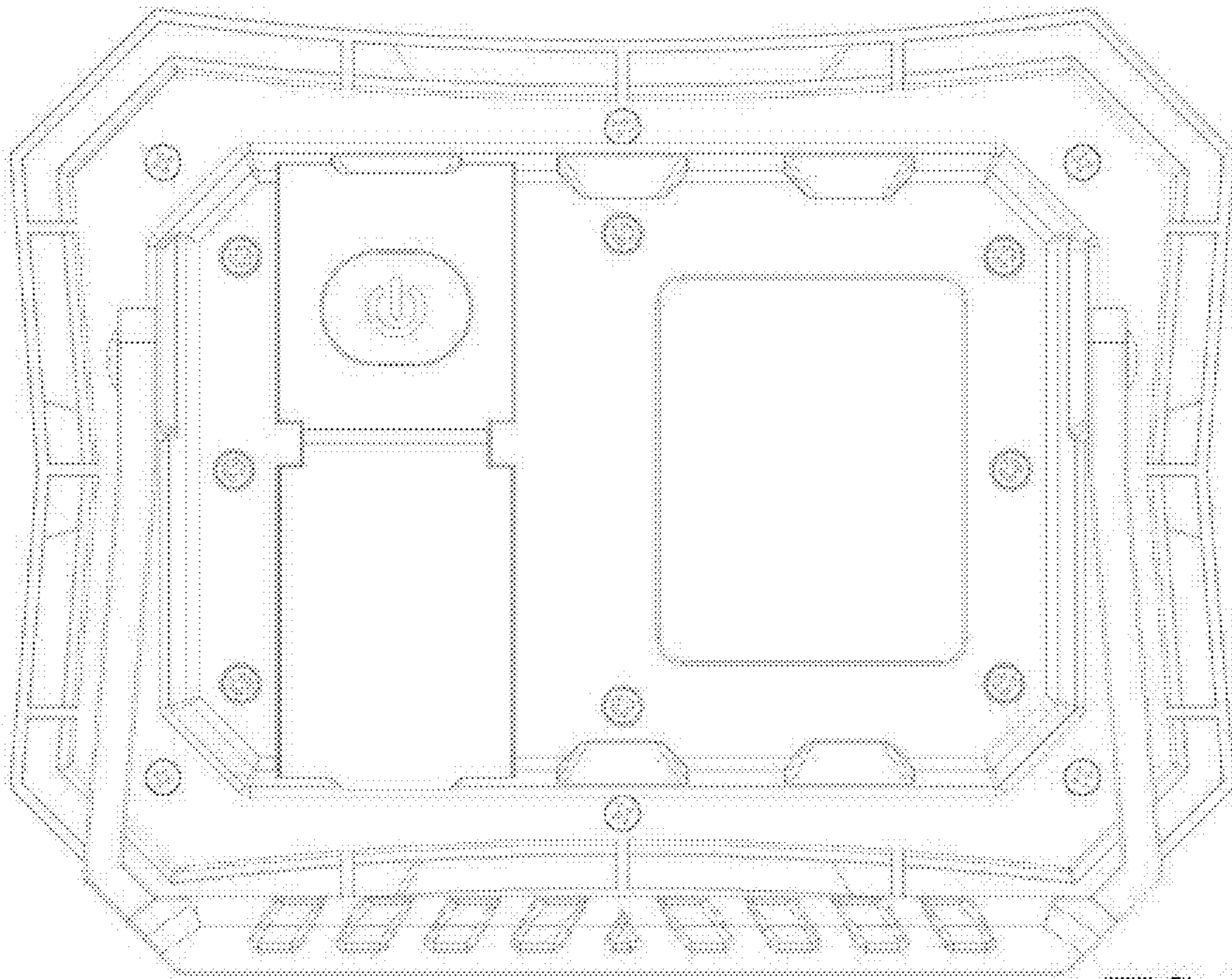


FIG. 2

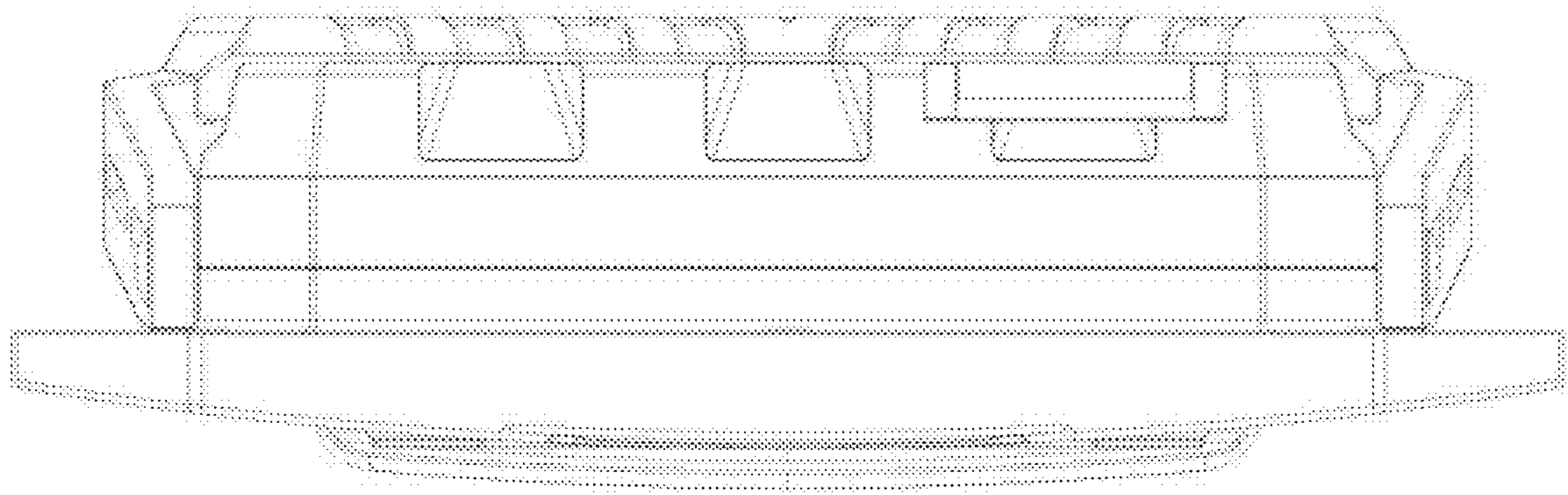


FIG. 3

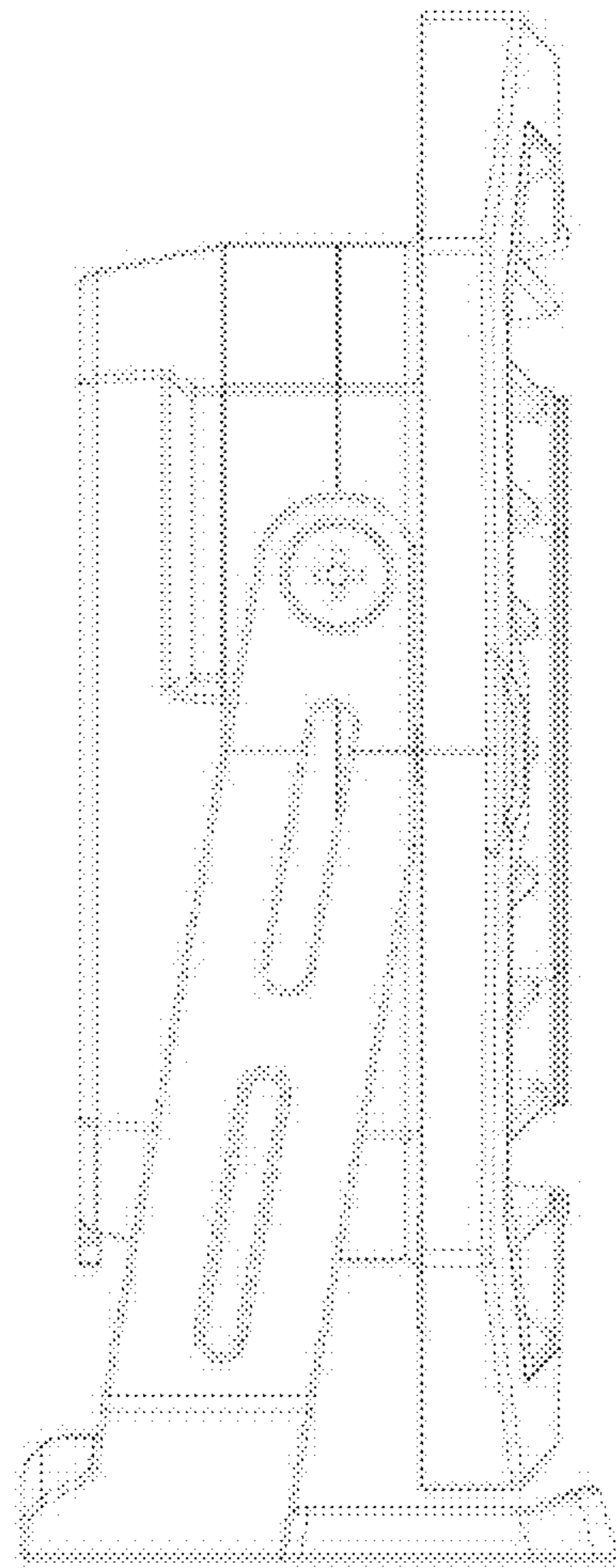


FIG. 4

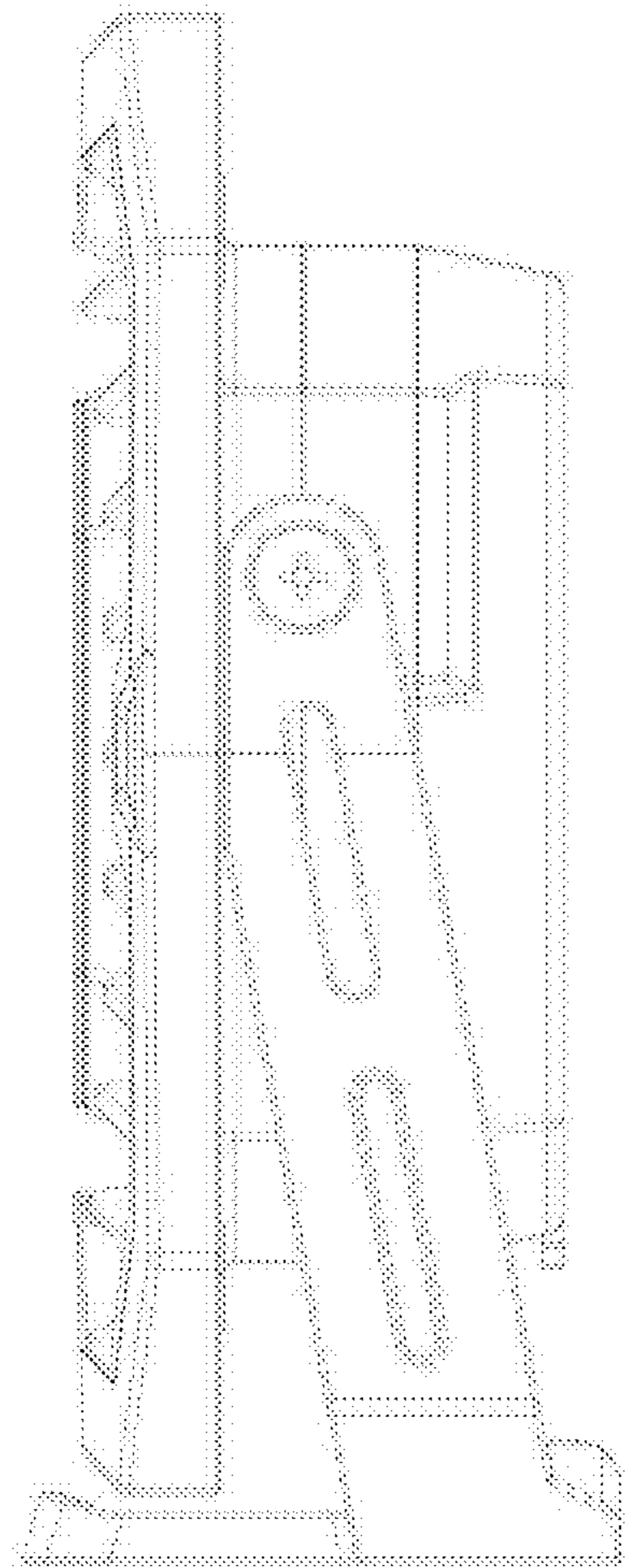


FIG. 5

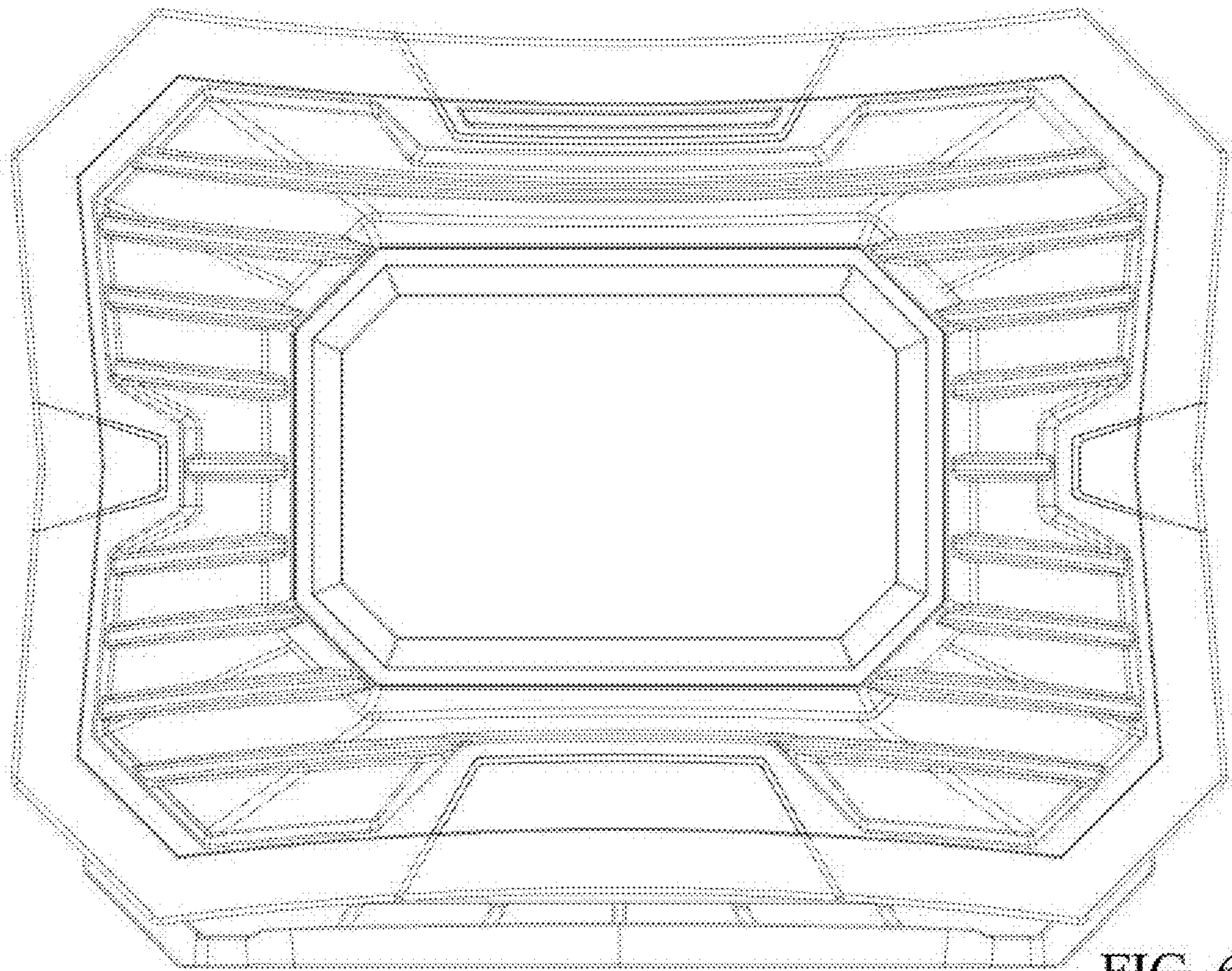


FIG. 6

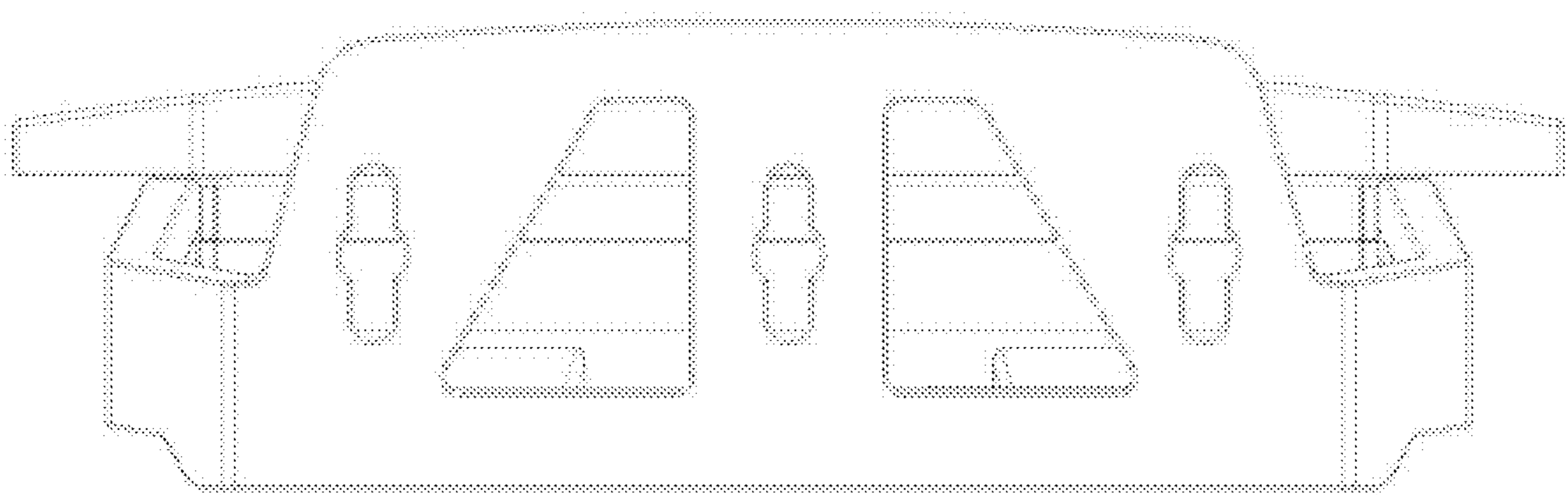


FIG. 7