



US00D844205S

(12) **United States Design Patent**
Finch

(10) **Patent No.:** **US D844,205 S**

(45) **Date of Patent:** **** Mar. 26, 2019**

(54) **AUDIO AND ILLUMINATION DEVICE**

(71) Applicant: **Brightz, Ltd.**, Ottawa Lake, MI (US)

(72) Inventor: **Ronald Finch**, Ottawa Lake, MI (US)

(73) Assignee: **Brightz, Ltd.**, Ottawa Lake, MI (US)

(**) Term: **15 Years**

(21) Appl. No.: **29/614,710**

(22) Filed: **Aug. 22, 2017**

(51) **LOC (11) Cl.** **26-05**

(52) **U.S. Cl.**
USPC **D26/52; D14/204**

(58) **Field of Classification Search**
USPC D26/37-51; D14/214, 204
CPC F21L 2003/00; F21L 4/00; F21L 4/005;
F21L 4/02; F21L 4/025; F21L 4/027;
F21L 4/04; F21L 4/08; F21L 2005/00;
F21L 7/00; F21L 11/00; F21L 13/00;
F21L 13/04; F21L 13/08; F21L 14/02;
F21L 17/00; F21L 19/00; F21L 25/00
See application file for complete search history.

(56) **References Cited**

U.S. PATENT DOCUMENTS

D186,919 S * 12/1959 Brown D10/114.1
D407,512 S * 3/1999 Yuen D26/41
D429,832 S * 8/2000 Poon D26/40
D525,740 S * 7/2006 Parker D26/104
D608,036 S * 1/2010 Lee D26/40
D617,480 S * 6/2010 DeBrunner D26/40
D634,870 S * 3/2011 Shen D14/204

D646,412 S * 10/2011 Taiga D26/41
D711,572 S * 8/2014 Kwon D26/37
D765,294 S * 8/2016 Li D26/37
D786,829 S * 5/2017 Wang D14/204
D820,815 S * 6/2018 Justis D14/214
D821,350 S * 6/2018 Ke D14/204

* cited by examiner

Primary Examiner — Brandon M Rosati

Assistant Examiner — Carissa C Fitts

(74) *Attorney, Agent, or Firm* — Kegler, Brown, Hill & Ritter Co., LPA; Lorraine Hernandez

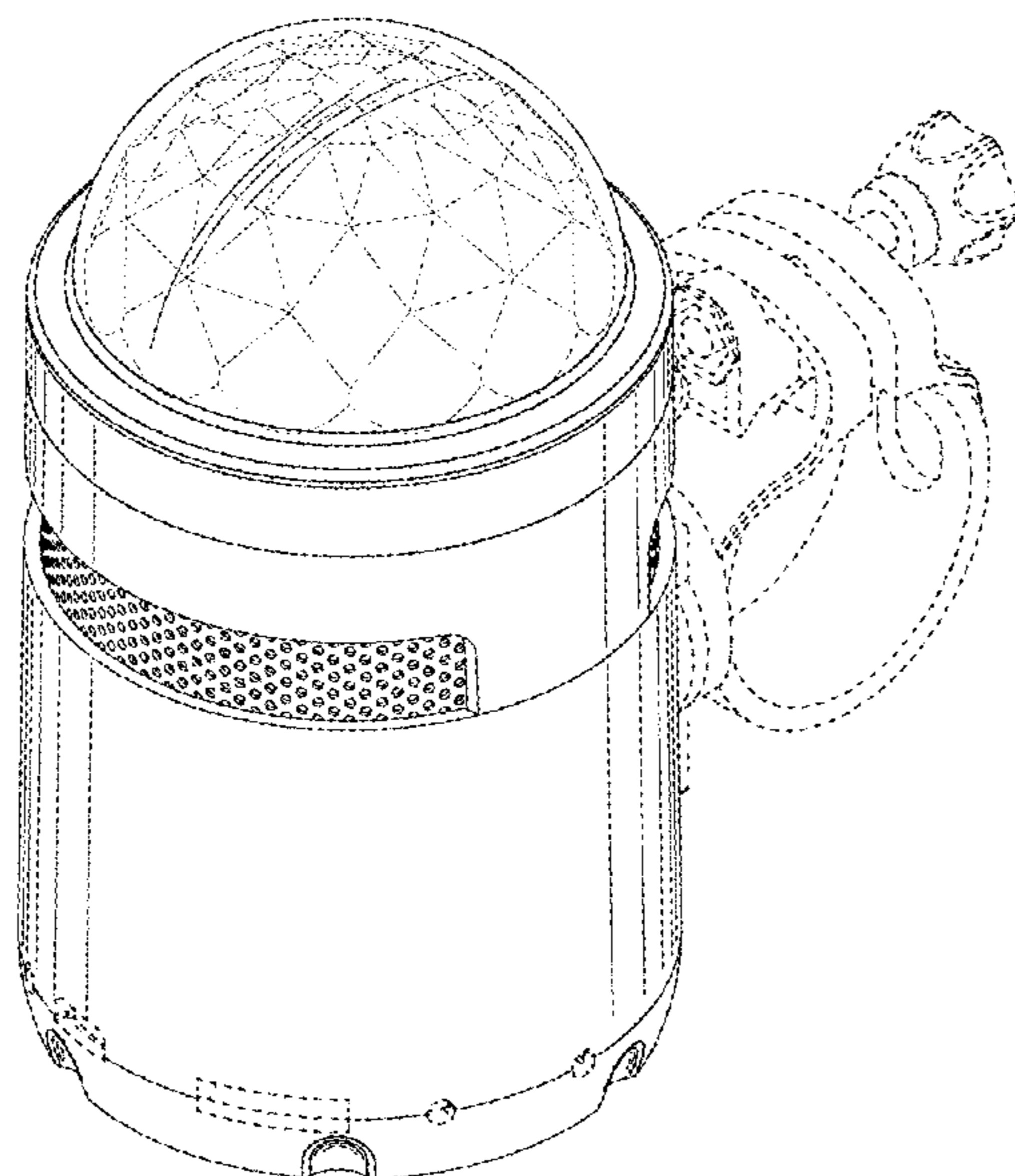
(57) **CLAIM**

The ornamental design for an audio and illumination device, substantially as shown and described.

DESCRIPTION

FIG. 1 is an isometric view of an ornamental audio and illumination device;
FIG. 2 is a front view of an ornamental audio and illumination device;
FIG. 3 is a back view of an ornamental audio and illumination device;
FIG. 4 is a side view of an ornamental audio and illumination device;
FIG. 5 is a side view of an ornamental audio and illumination device;
FIG. 6 is a top view of an ornamental audio and illumination device; and,
FIG. 7 is a bottom view of an ornamental audio and illumination device.

1 Claim, 7 Drawing Sheets



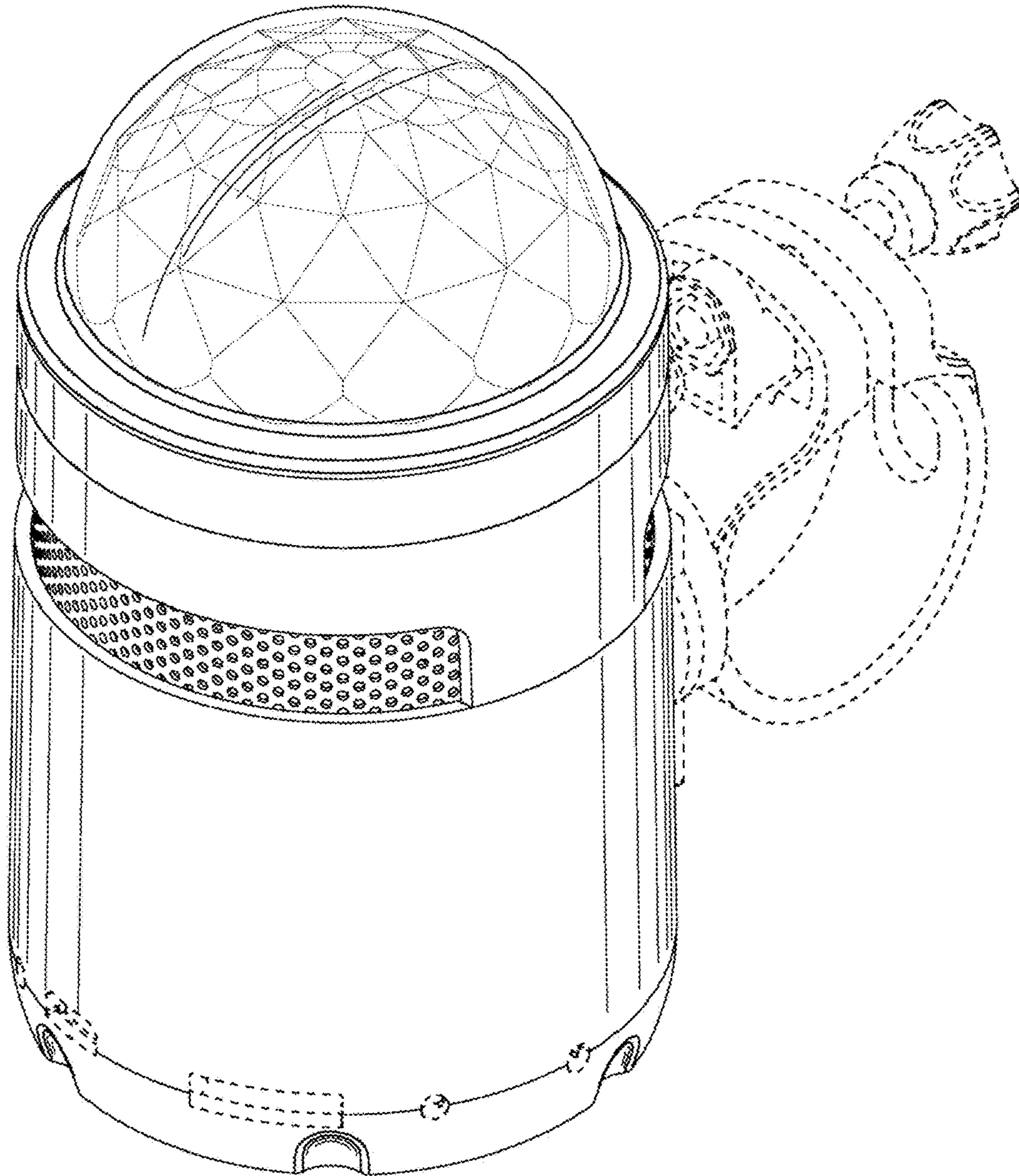


FIG. 1

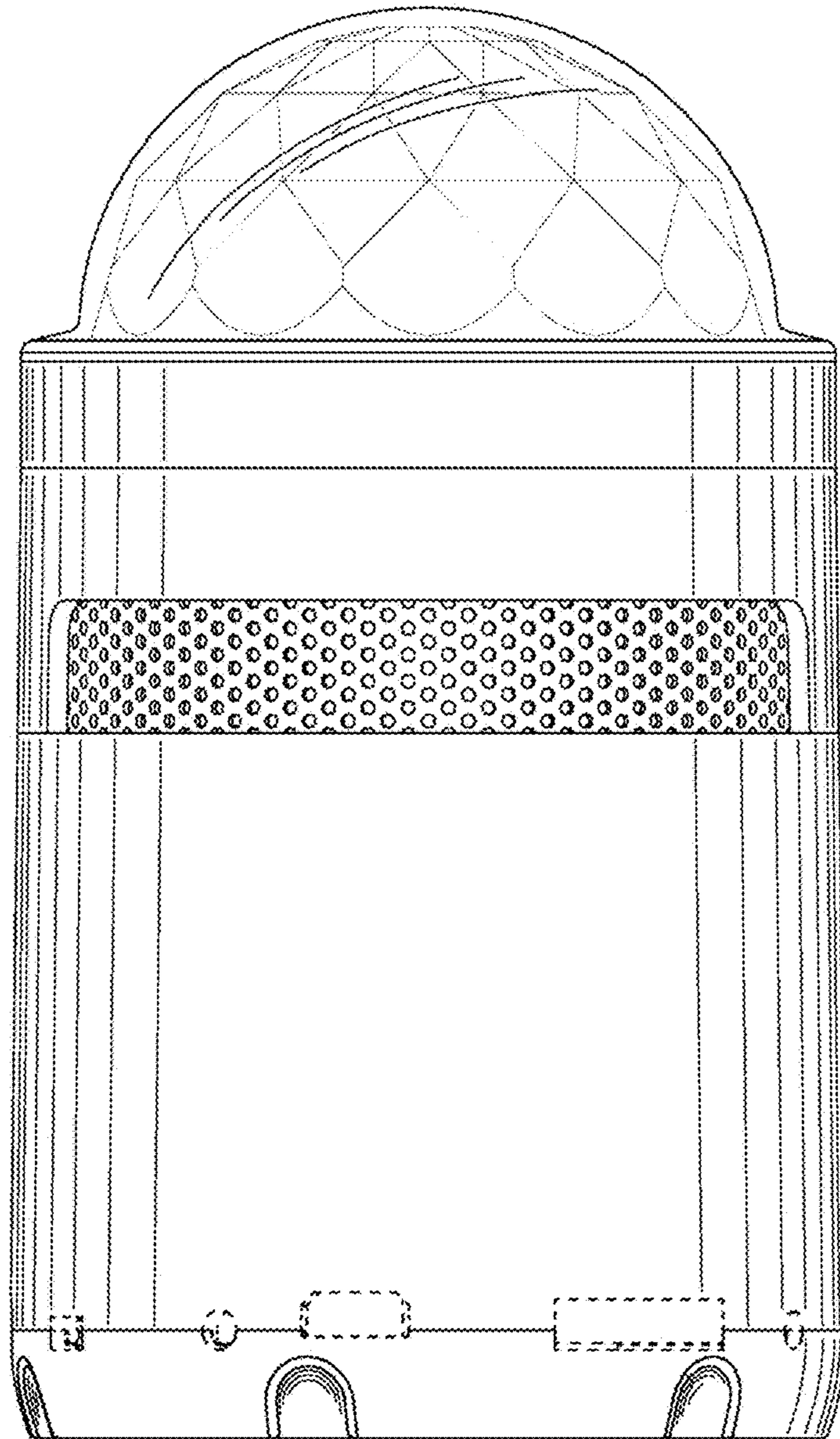


FIG. 2

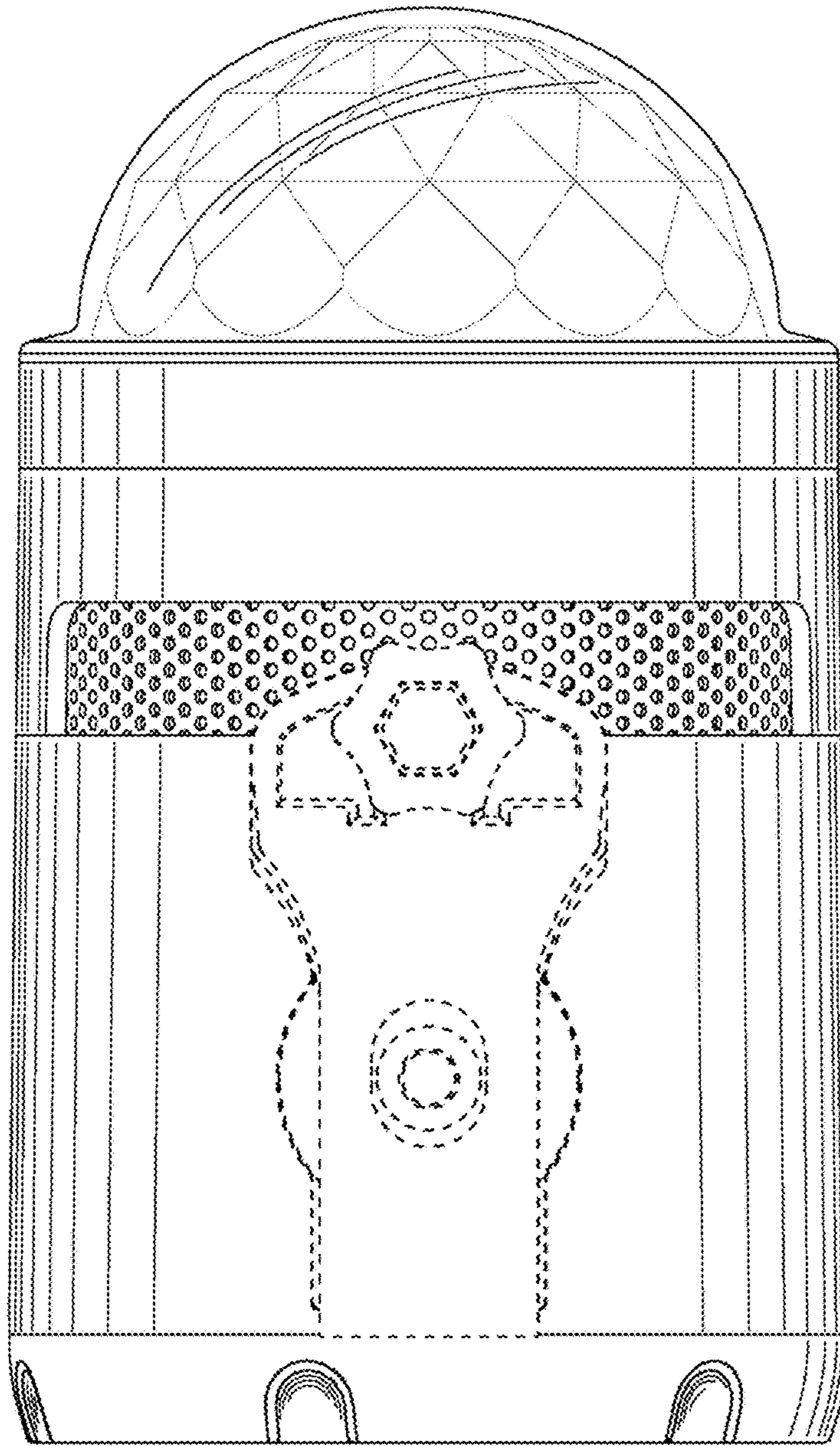


FIG. 3

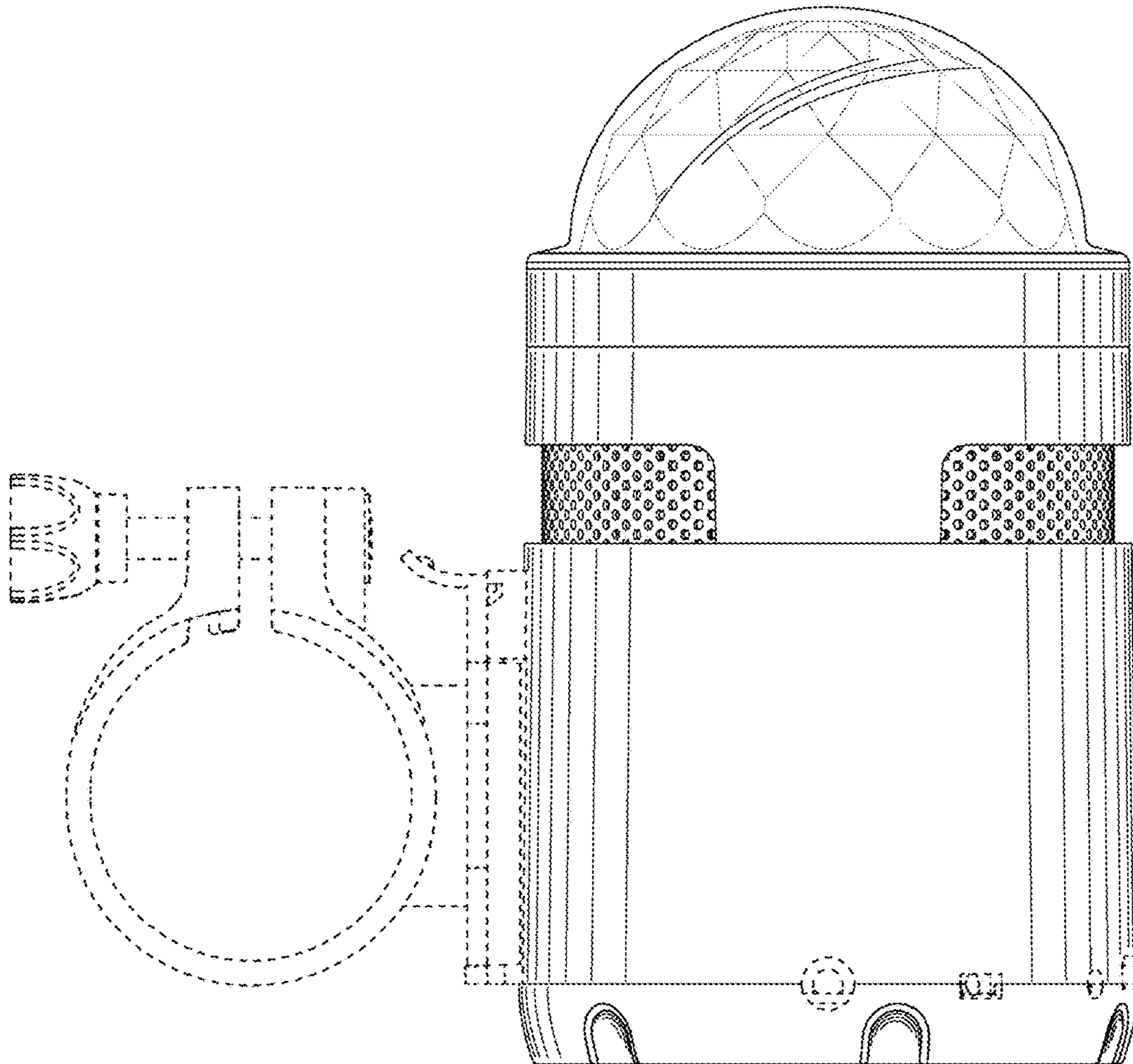


FIG. 4

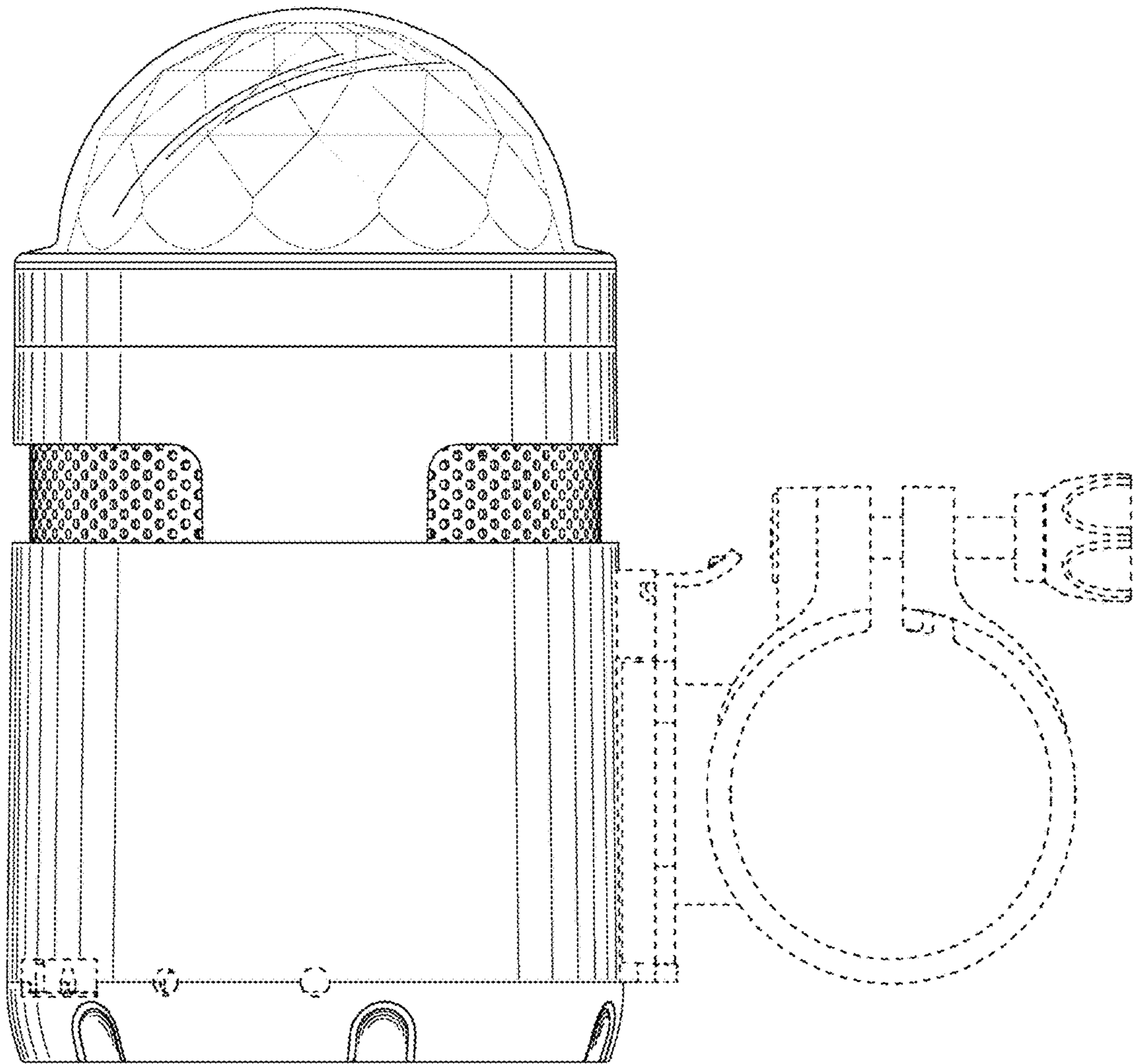


FIG. 5

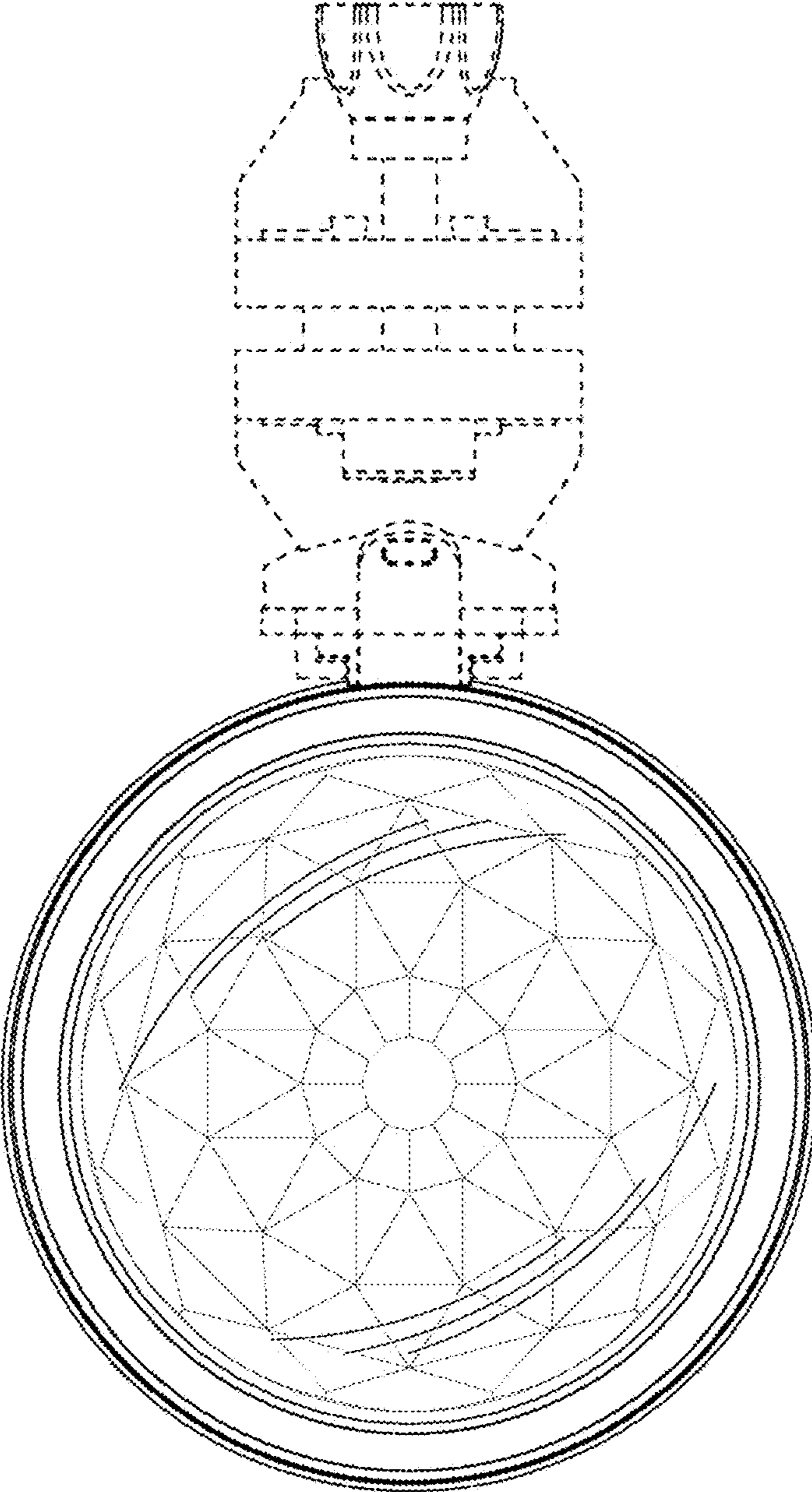


FIG. 6

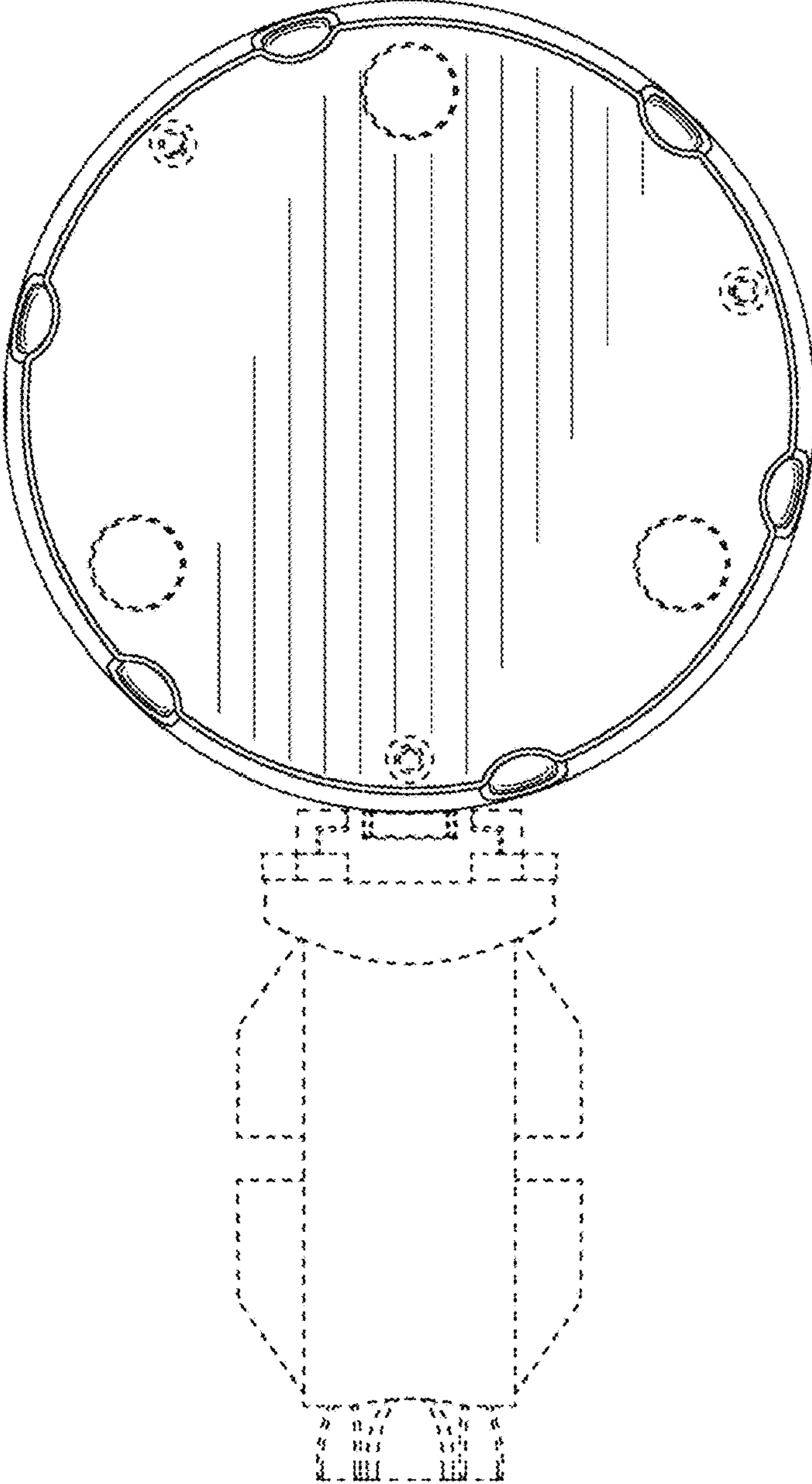


FIG. 7