

US00D844201S

(12) **United States Design Patent**
Khubani

(10) **Patent No.:** **US D844,201 S**

(45) **Date of Patent:** **** Mar. 26, 2019**

(54) **LIGHTING APPARATUS**

(71) Applicant: **DaVinci II CSJ, LLC**, Fairfield, NJ
(US)

(72) Inventor: **Ajit Khubani**, Saddle River, NJ (US)

(73) Assignee: **DaVinci II CSJ, LLC**, Fairfield, NJ
(US)

(**) Term: **15 Years**

(21) Appl. No.: **29/617,372**

(22) Filed: **Sep. 13, 2017**

(51) **LOC (11) Cl.** **26-02**

(52) **U.S. Cl.**
USPC **D26/40**

(58) **Field of Classification Search**
USPC D26/37-51
CPC F21L 2003/00; F21L 4/00; F21L 4/005;
F21L 4/02; F21L 4/025; F21L 4/027;
F21L 4/04; F21L 4/08; F21L 2005/00;
F21L 7/00; F21L 11/00; F21L 13/00;
F21L 13/04; F21L 13/08; F21L 14/02;
F21L 17/00; F21L 19/00; F21L 25/00
See application file for complete search history.

(56) **References Cited**

U.S. PATENT DOCUMENTS

5,003,441	A	3/1991	Crowe et al.	
5,758,949	A	6/1998	Van Deursen	
6,030,094	A	2/2000	Sedovic et al.	
D529,647	S *	10/2006	Shiu	D26/40
D535,419	S *	1/2007	Shiu	D26/40
D537,967	S *	3/2007	Lo	D26/40

D537,968	S *	3/2007	Shiu	D26/40
D570,510	S *	6/2008	DeBrunner	D26/40
D638,152	S *	5/2011	Leung	D26/40
D650,104	S *	12/2011	Brands	D26/41
D658,324	S *	4/2012	Reimann	D26/40
D707,378	S *	6/2014	Shiu	D26/41
8,939,601	B1	1/2015	Lee	
D774,228	S *	12/2016	Workman	D26/41
D809,687	S *	2/2018	Krantz	D26/40
D809,688	S *	2/2018	Christensen	D26/41
D810,979	S *	2/2018	Krantz	D26/41

* cited by examiner

Primary Examiner — Lakiya G Rogers

Assistant Examiner — Carissa C Fitts

(74) *Attorney, Agent, or Firm* — Cooper & Dunham, LLP

(57) **CLAIM**

The ornamental design for a lighting apparatus, as shown and described.

DESCRIPTION

FIG. 1 is a front perspective view of a lighting apparatus in accordance with the present design;
FIG. 2 is a front view thereof;
FIG. 3 is a back view thereof;
FIG. 4 is a left side view thereof;
FIG. 5 is a right side view thereof;
FIG. 6 is a top view thereof;
FIG. 7 is a bottom view thereof; and,
FIG. 8 is a front perspective thereof.

The broken lines represent unclaimed portions of the claimed design and are included for illustrative purposes only and form no part of the claimed design. The shading represents contour of the claimed design.

1 Claim, 5 Drawing Sheets

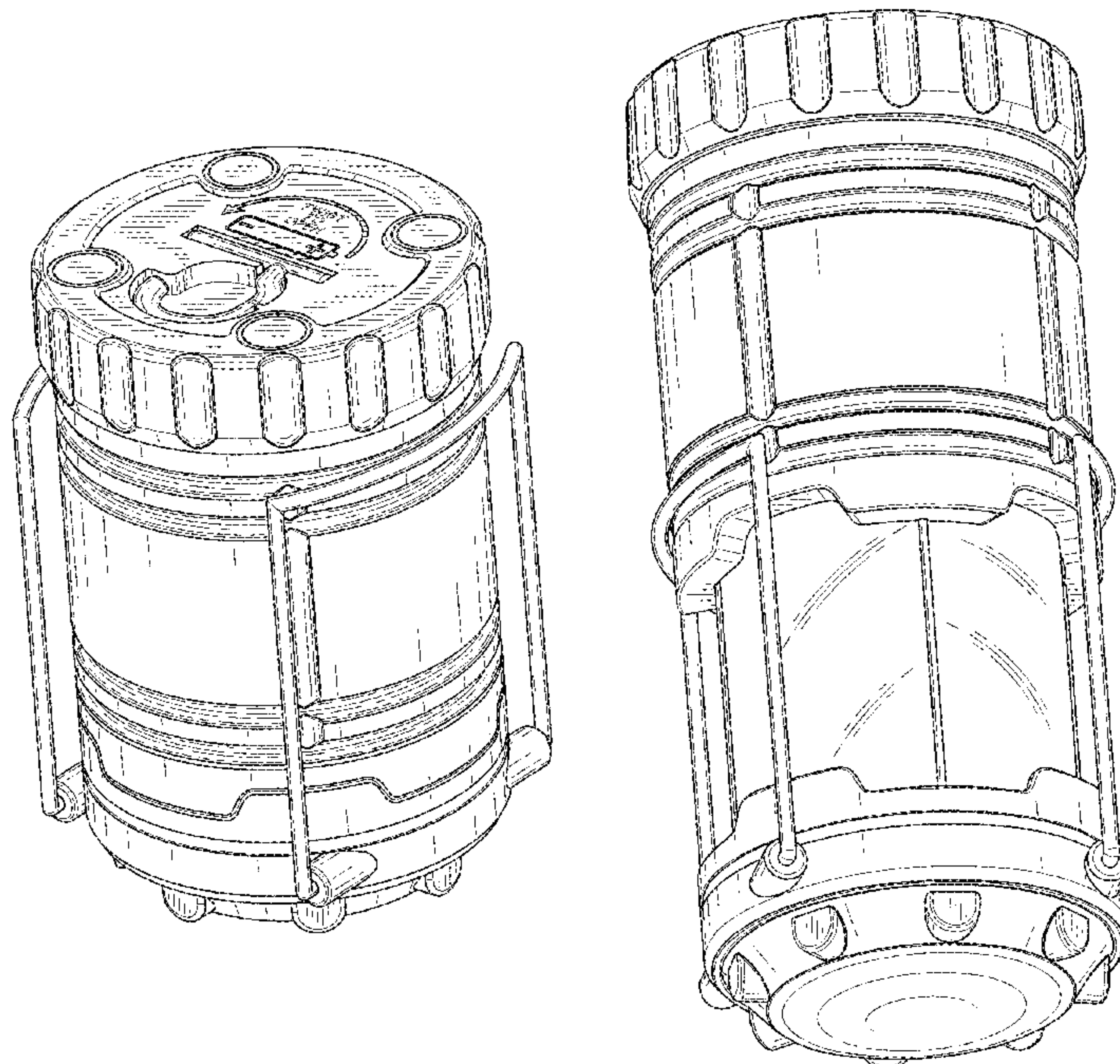


FIG. 1

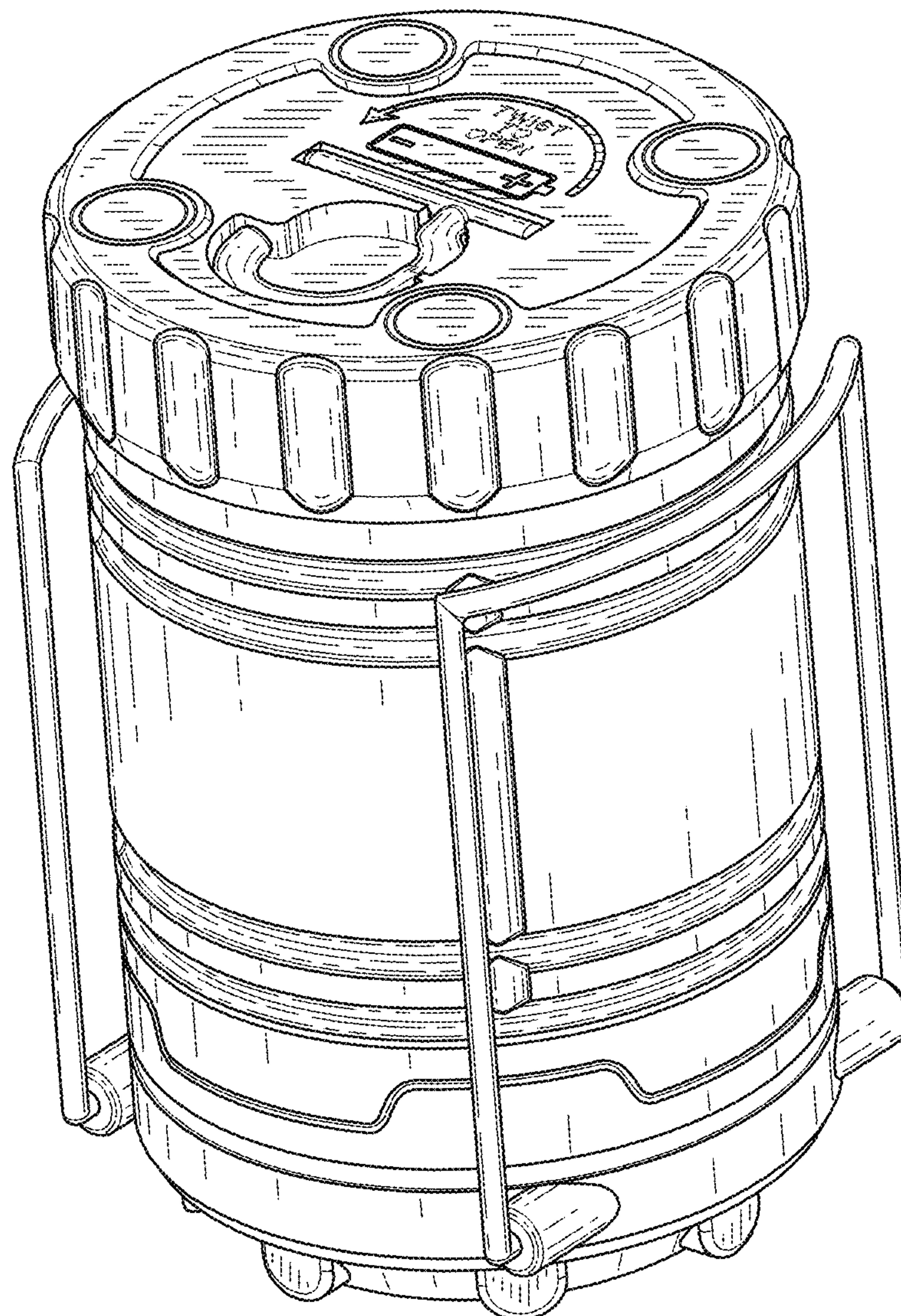


FIG. 3

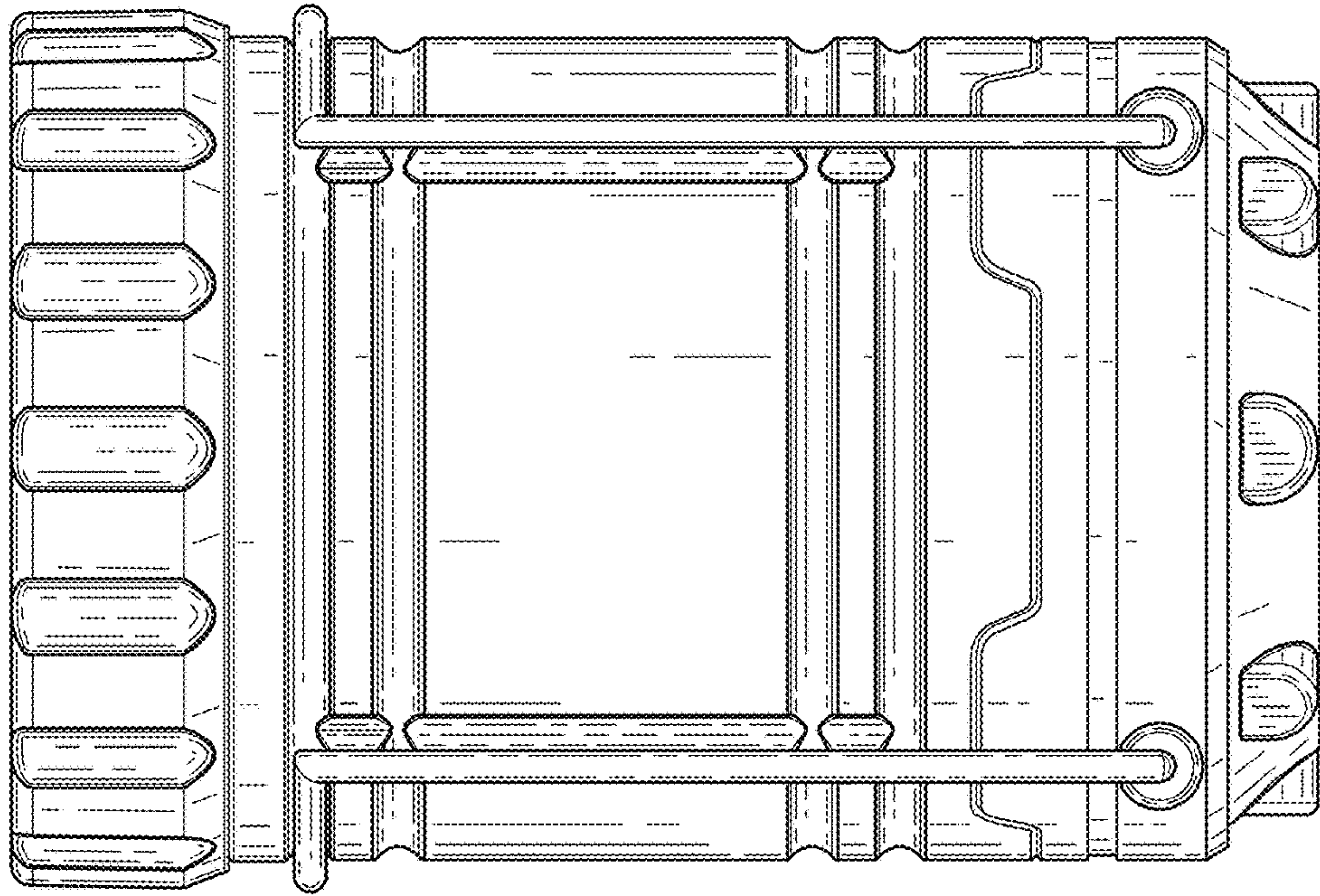


FIG. 2

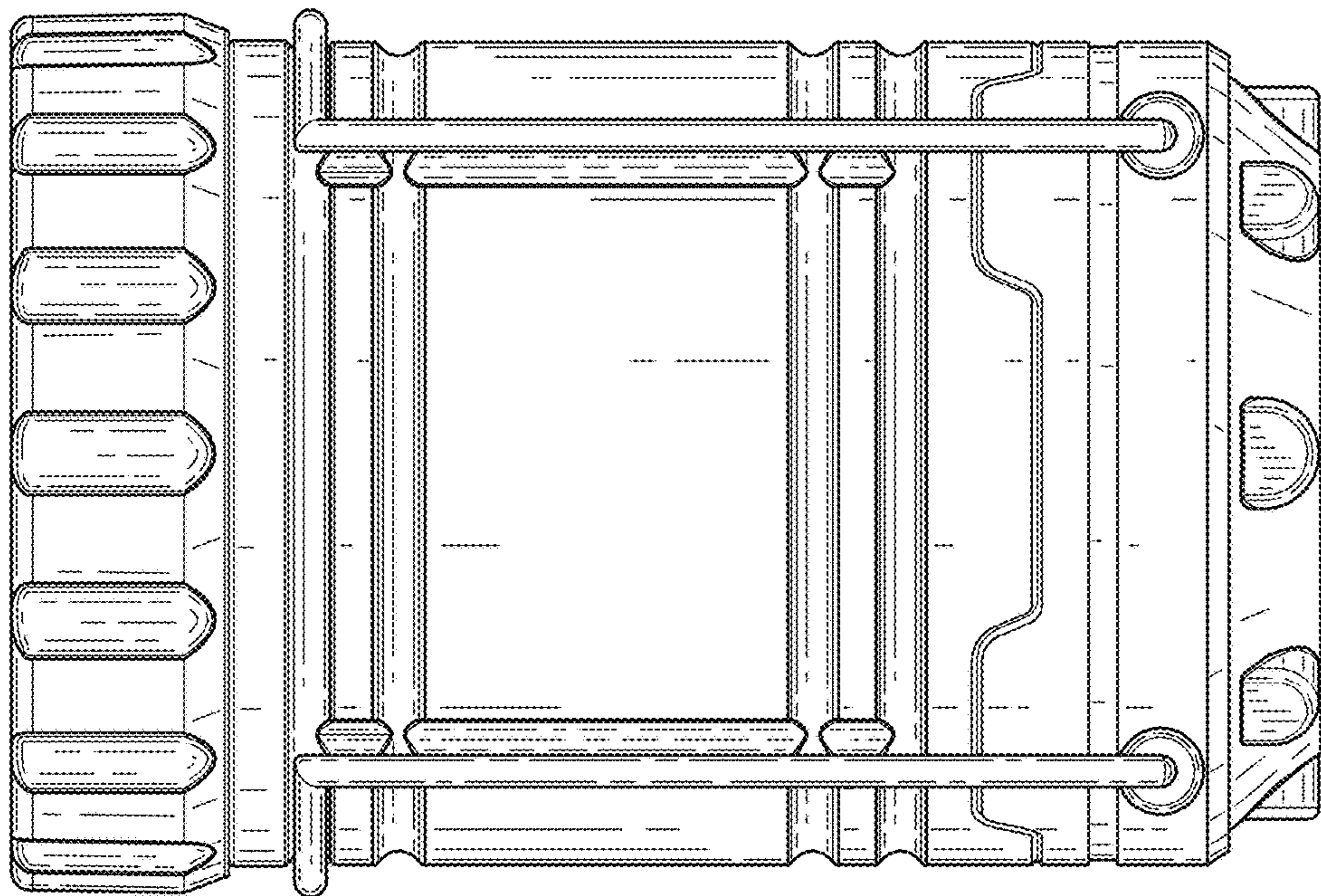


FIG. 5

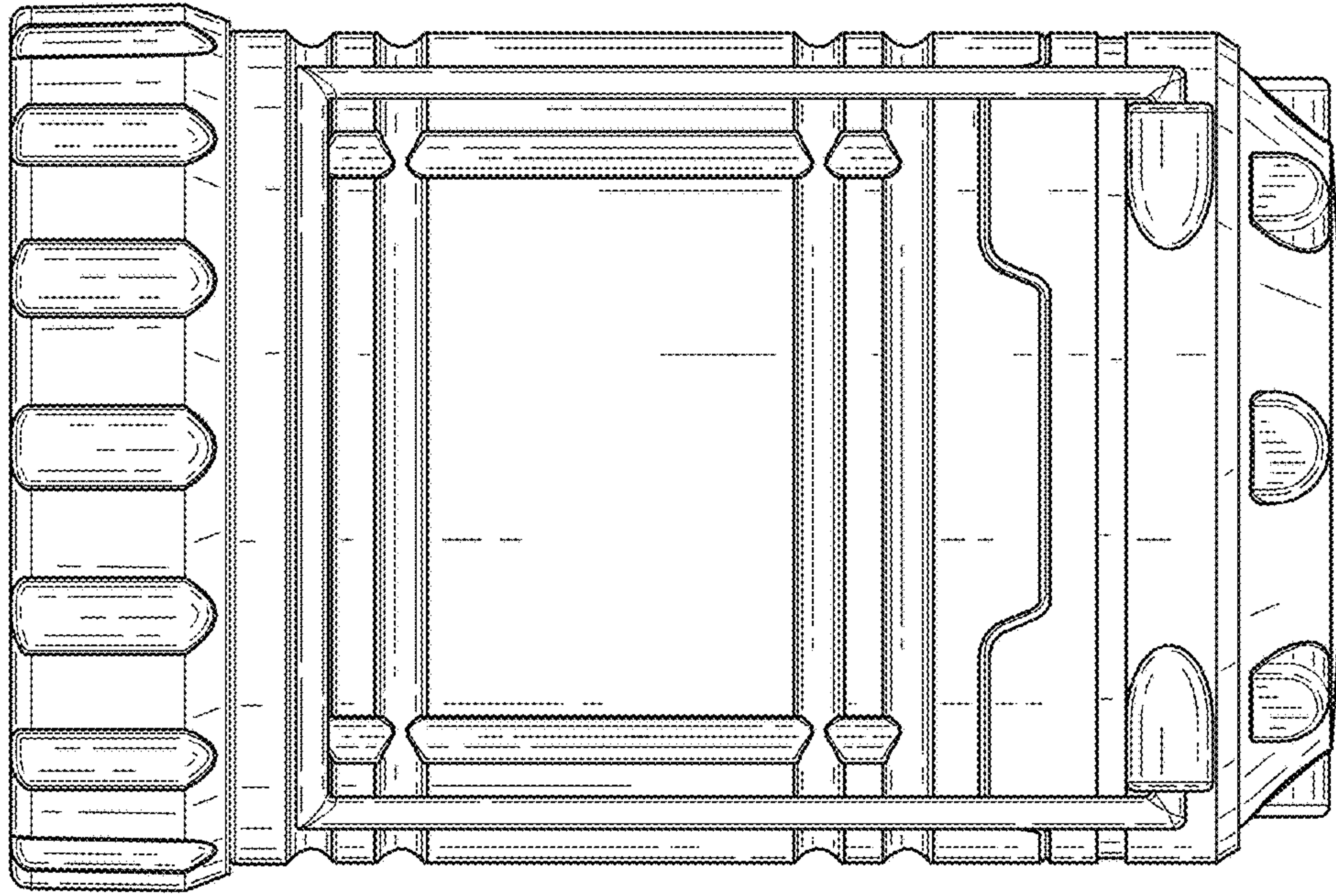


FIG. 4

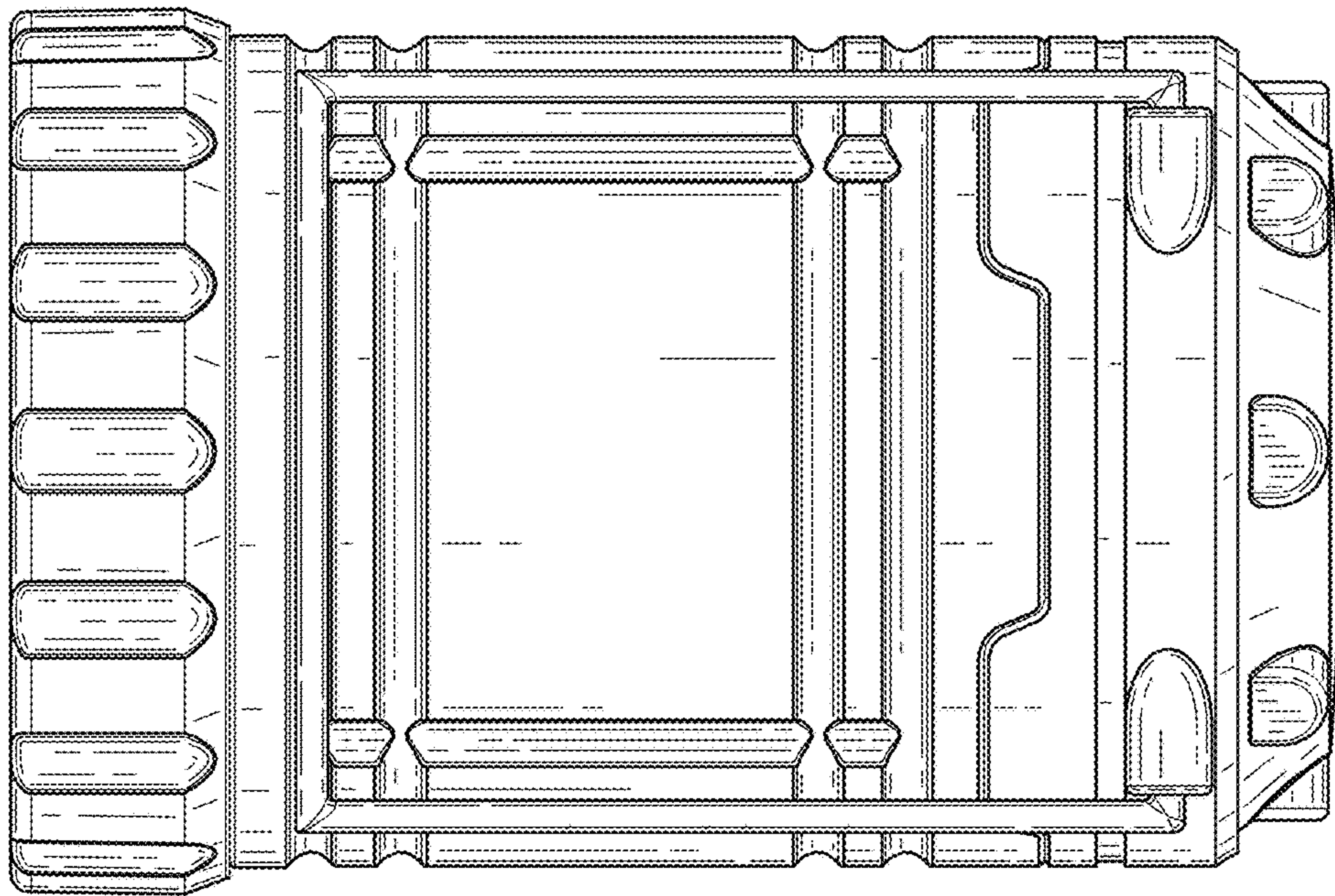


FIG. 6

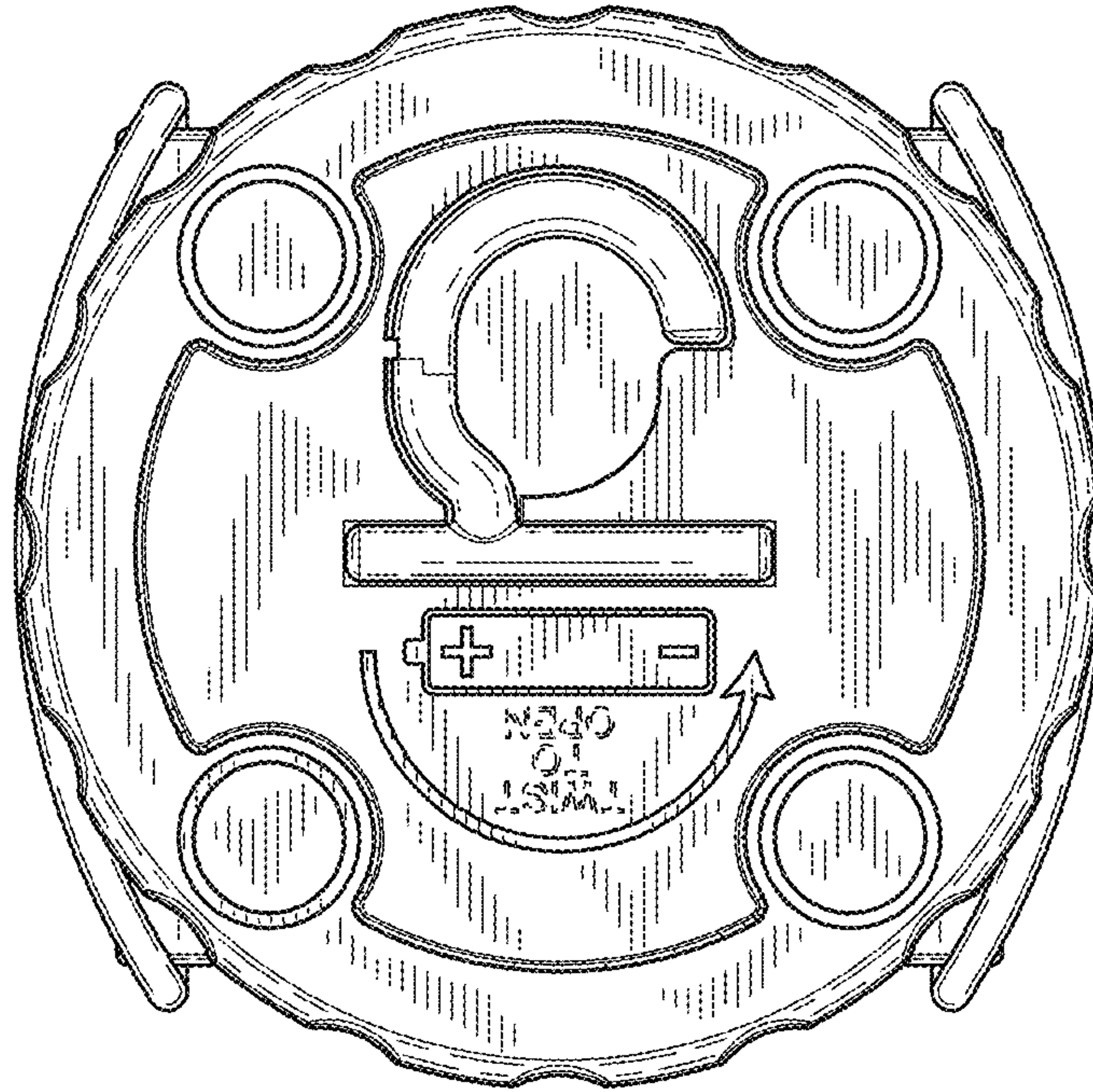


FIG. 7

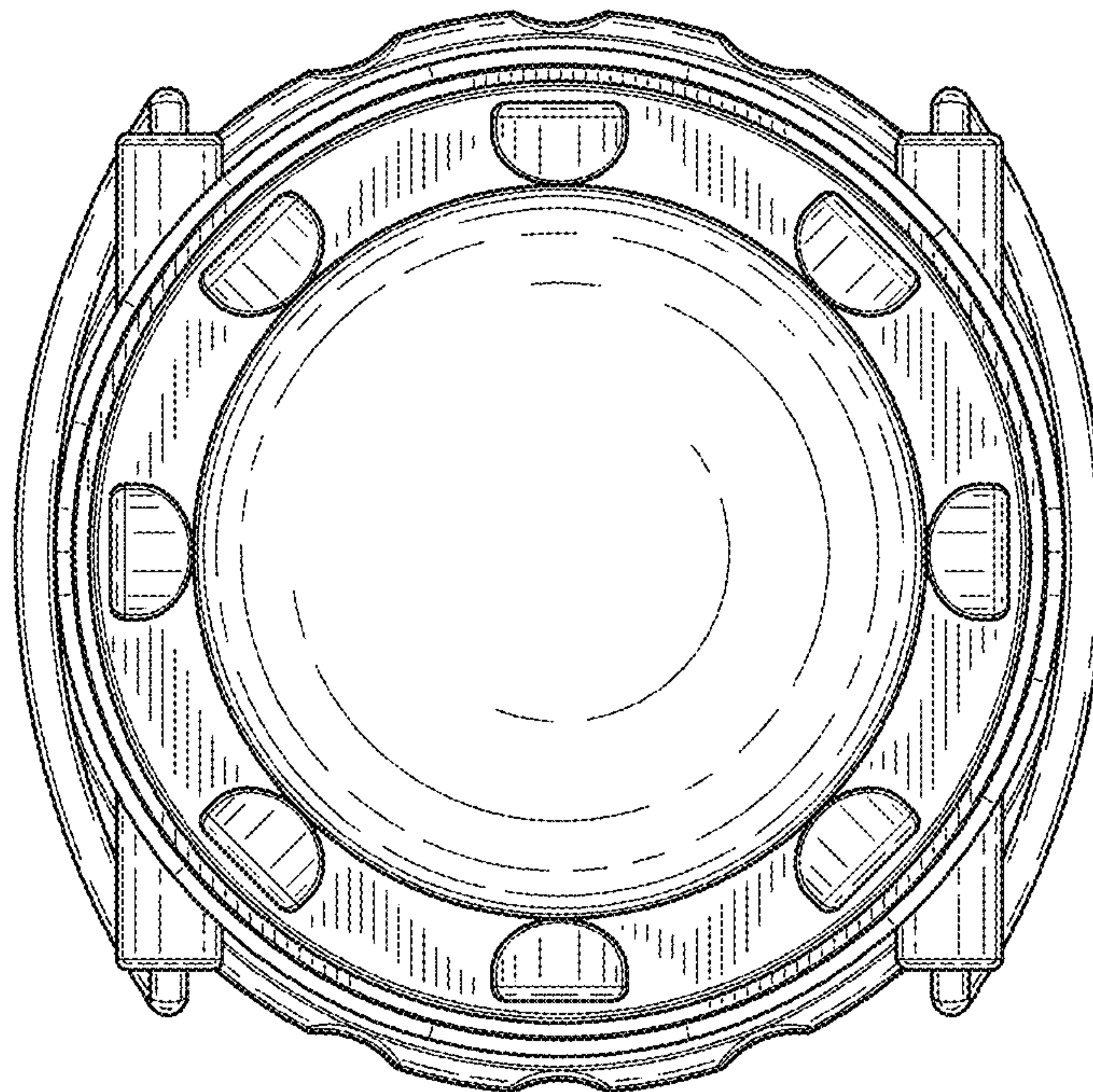


FIG. 8

