



US00D844199S

(12) **United States Design Patent**
Lin

(10) **Patent No.:** **US D844,199 S**
(45) **Date of Patent:** **** Mar. 26, 2019**

- (54) **AUTOMOBILE HEADLIGHT**
- (71) Applicant: **Chi-Chung Lin**, Hsinchu (TW)
- (72) Inventor: **Chi-Chung Lin**, Hsinchu (TW)
- (**) Term: **15 Years**
- (21) Appl. No.: **29/634,964**
- (22) Filed: **Jan. 25, 2018**
- (51) **LOC (11) Cl.** **26-06**
- (52) **U.S. Cl.**
USPC **D26/28**
- (58) **Field of Classification Search**
USPC D26/28-36
CPC B60Q 9/13; B60Q 9/135; B60Q 9/1375;
F21S 48/00; F21S 48/10; F21S 48/115;
F21S 48/225; F21S 48/1233; F21S
48/1266; F21S 48/1388; F21S 48/2268;
F21V 21/04
See application file for complete search history.

- D642,711 S * 8/2011 Schneider D26/28
- D676,163 S * 2/2013 Tanaka D26/28
- D767,180 S * 9/2016 Lai D26/28

* cited by examiner

Primary Examiner — Marcus A Jackson
(74) *Attorney, Agent, or Firm* — Alexander Chen, Esq.;
Inhouse Co. Law Firm

(56) **References Cited**
U.S. PATENT DOCUMENTS

- D504,734 S * 5/2005 Weng D26/28
- D593,231 S * 5/2009 Koman D26/28

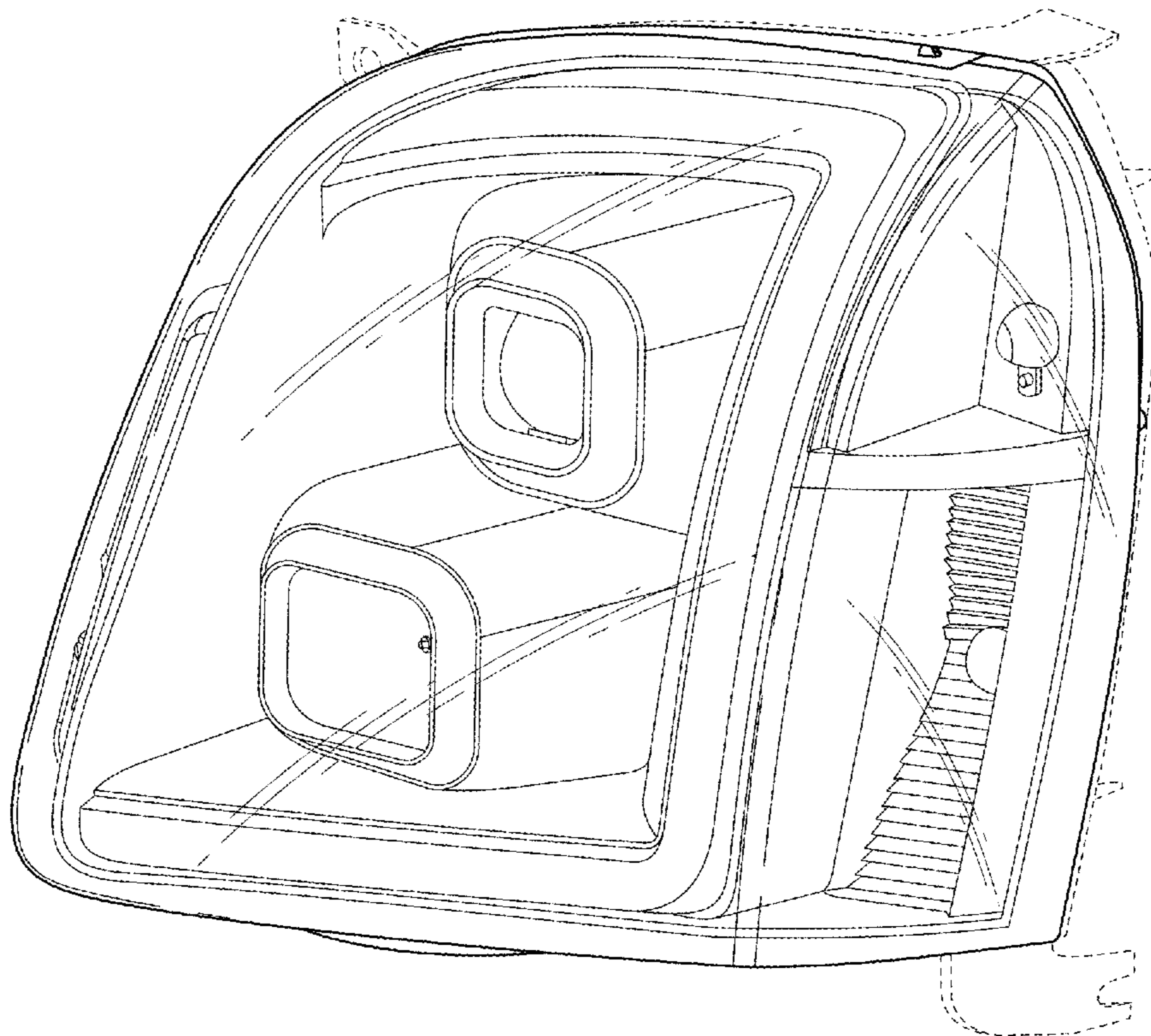
(57) **CLAIM**

The ornamental design for an automobile headlight, as shown and described.

DESCRIPTION

FIG. 1 is a perspective view of an automobile headlight; FIG. 2 is a front view thereof; FIG. 3 is a left side view thereof; and, FIG. 4 is a top side view thereof. The broken lines are included to show environmental structure and form no part of the claimed design. The drawings and descriptions represent the left side embodiment. The claim is also for a mirror image right side embodiment.

1 Claim, 4 Drawing Sheets



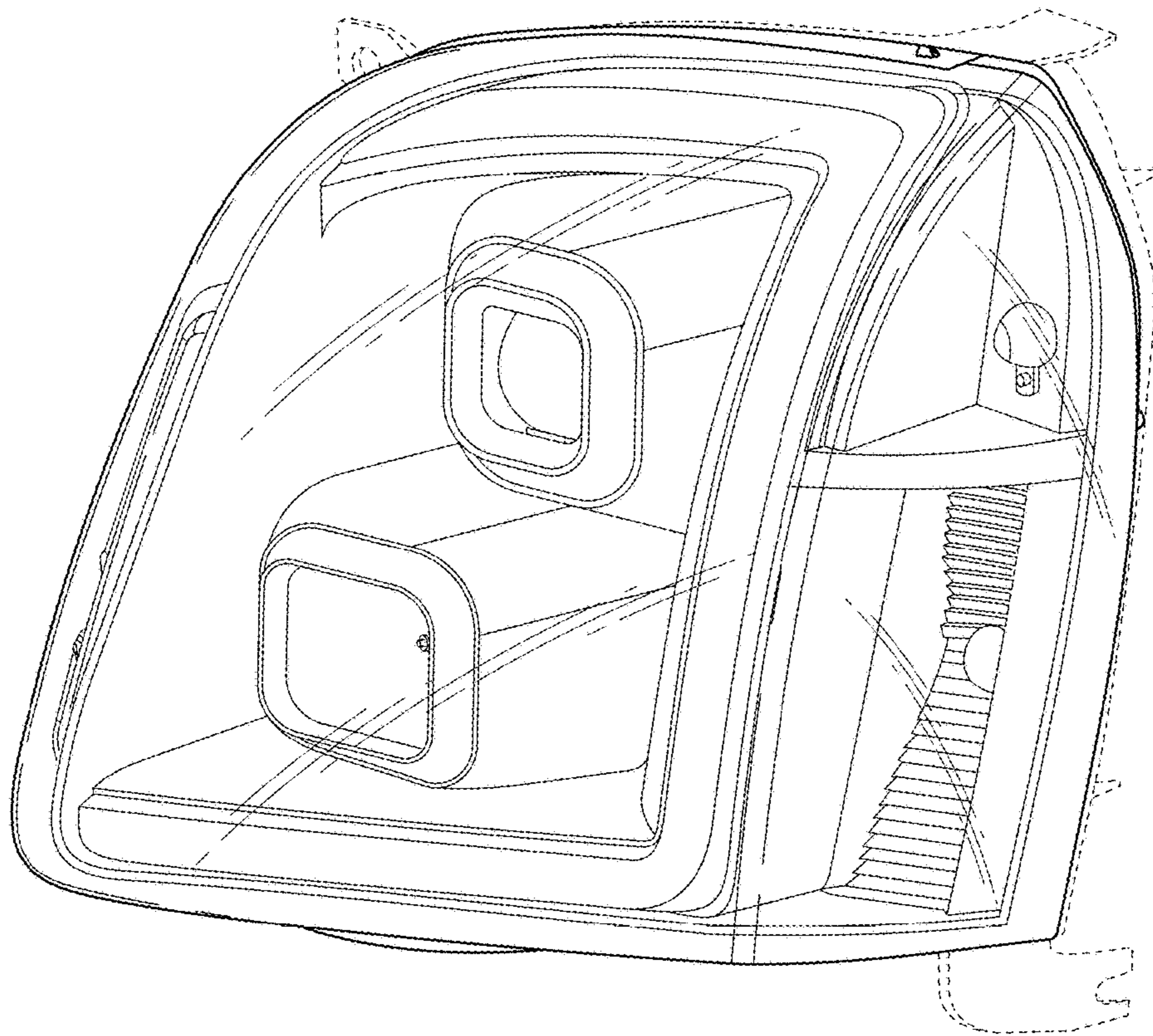


FIG. 1

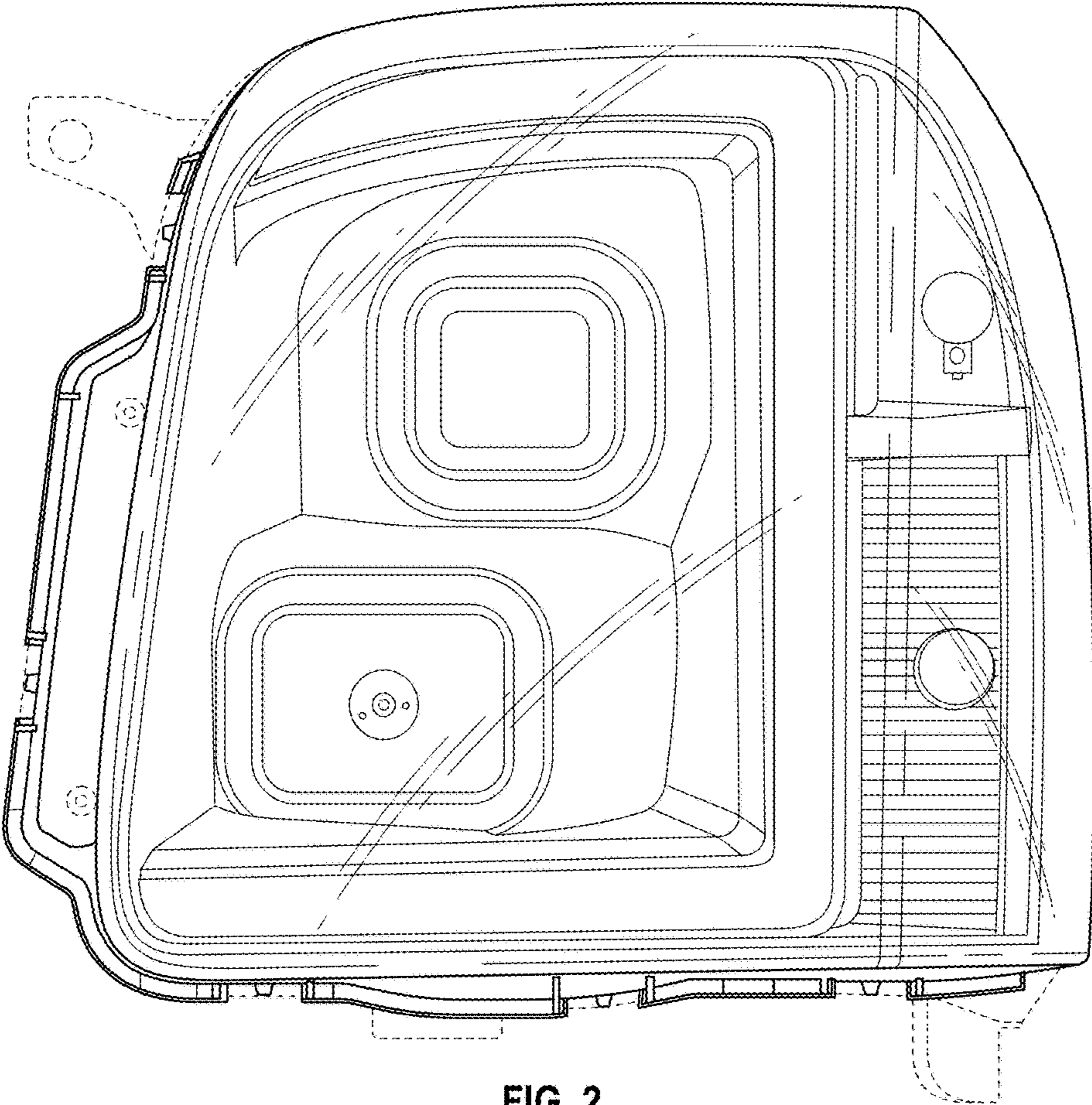


FIG. 2

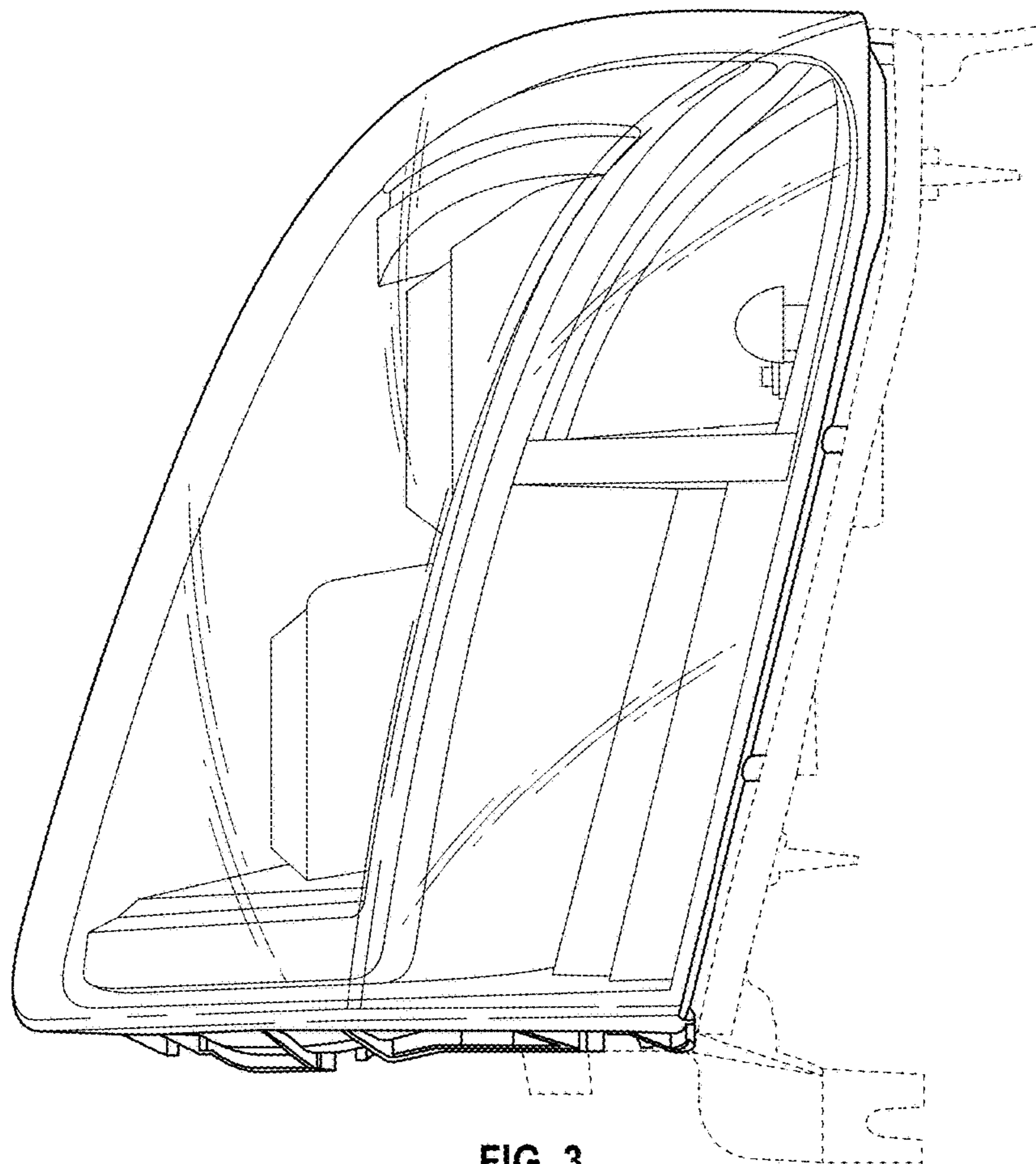


FIG. 3

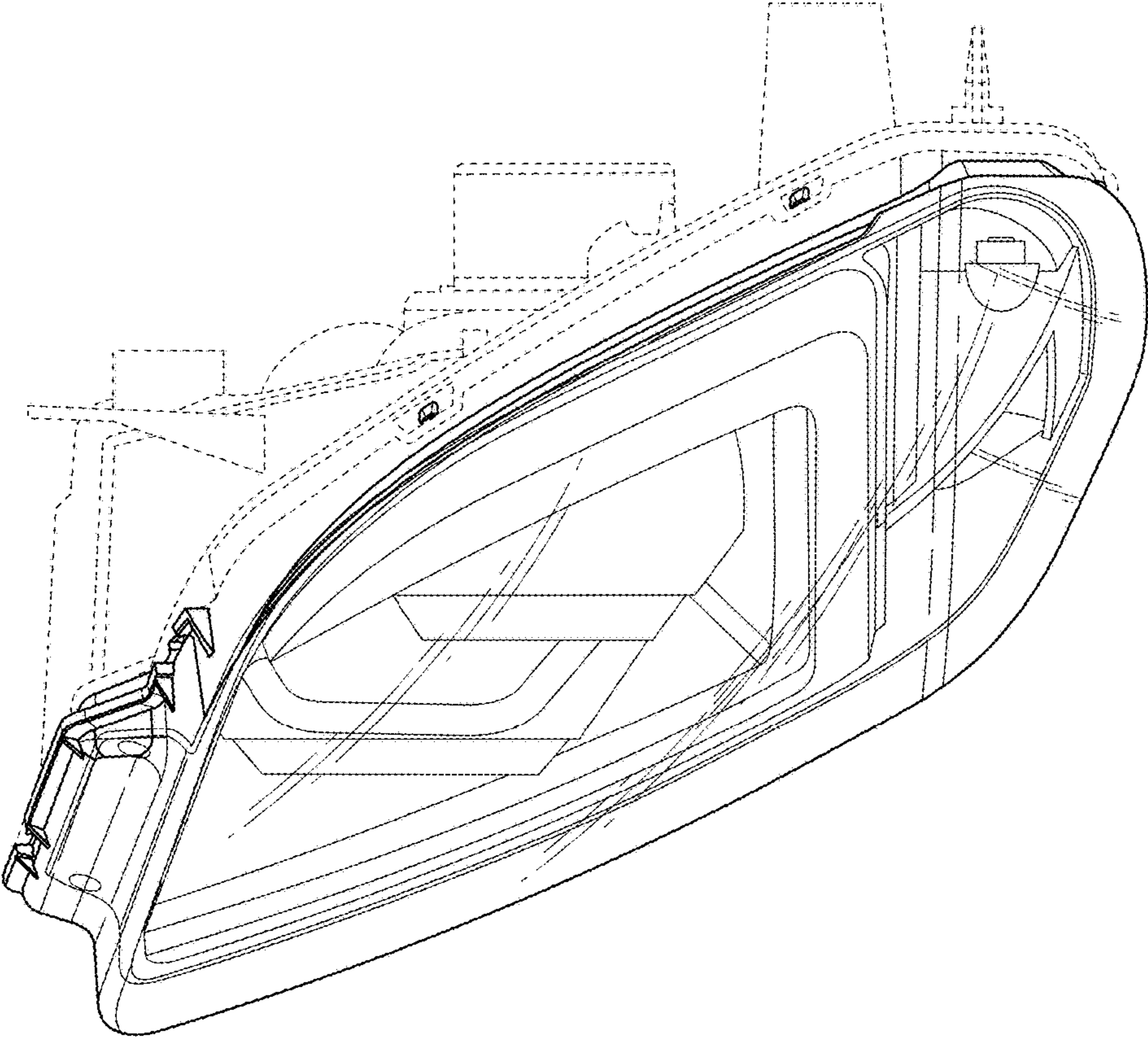


FIG. 4