



US00D844197S

(12) **United States Design Patent**  
**Tang et al.**

(10) **Patent No.:** **US D844,197 S**

(45) **Date of Patent:** **\*\* Mar. 26, 2019**

(54) **BICYCLE LIGHT**

(71) Applicant: **NINGBO HI-TECH BEIGAO  
PRECISION MANUFACTURE CO.,  
LTD.**, Ningbo, Zhejiang (CN)

(72) Inventors: **Hui Jun Tang**, Hunan (CN); **Can Zhu**,  
Hunan (CN)

(73) Assignee: **Ningbo Hi-Tech Beigao Precision  
Manufacture Co., Ltd** (CN)

(\*\*) Term: **15 Years**

(21) Appl. No.: **29/634,689**

(22) Filed: **Jan. 24, 2018**

(51) **LOC (11) Cl.** ..... **26-06**

(52) **U.S. Cl.**  
USPC ..... **D26/28; D26/60**

(58) **Field of Classification Search**  
USPC ..... D26/28-36, 60-63  
CPC .... B62J 6/001; B62J 6/02; B60Q 9/13; B60Q  
9/135; B60Q 9/1375; F21S 48/00; F21S  
48/10; F21S 48/115; F21S 48/225; F21S  
48/1233; F21S 48/1266; F21S 48/1388;  
F21S 48/2268; F21V 21/04

See application file for complete search history.

(56) **References Cited**

U.S. PATENT DOCUMENTS

D574,986 S *	8/2008	Kumthampinij .....	D26/60
D678,562 S *	3/2013	Chan .....	D26/28
D716,986 S *	11/2014	Ng .....	D26/60
D757,311 S *	5/2016	Nagano .....	D26/28
D800,361 S *	10/2017	Robertson .....	D26/28

\* cited by examiner

*Primary Examiner* — Marcus A Jackson

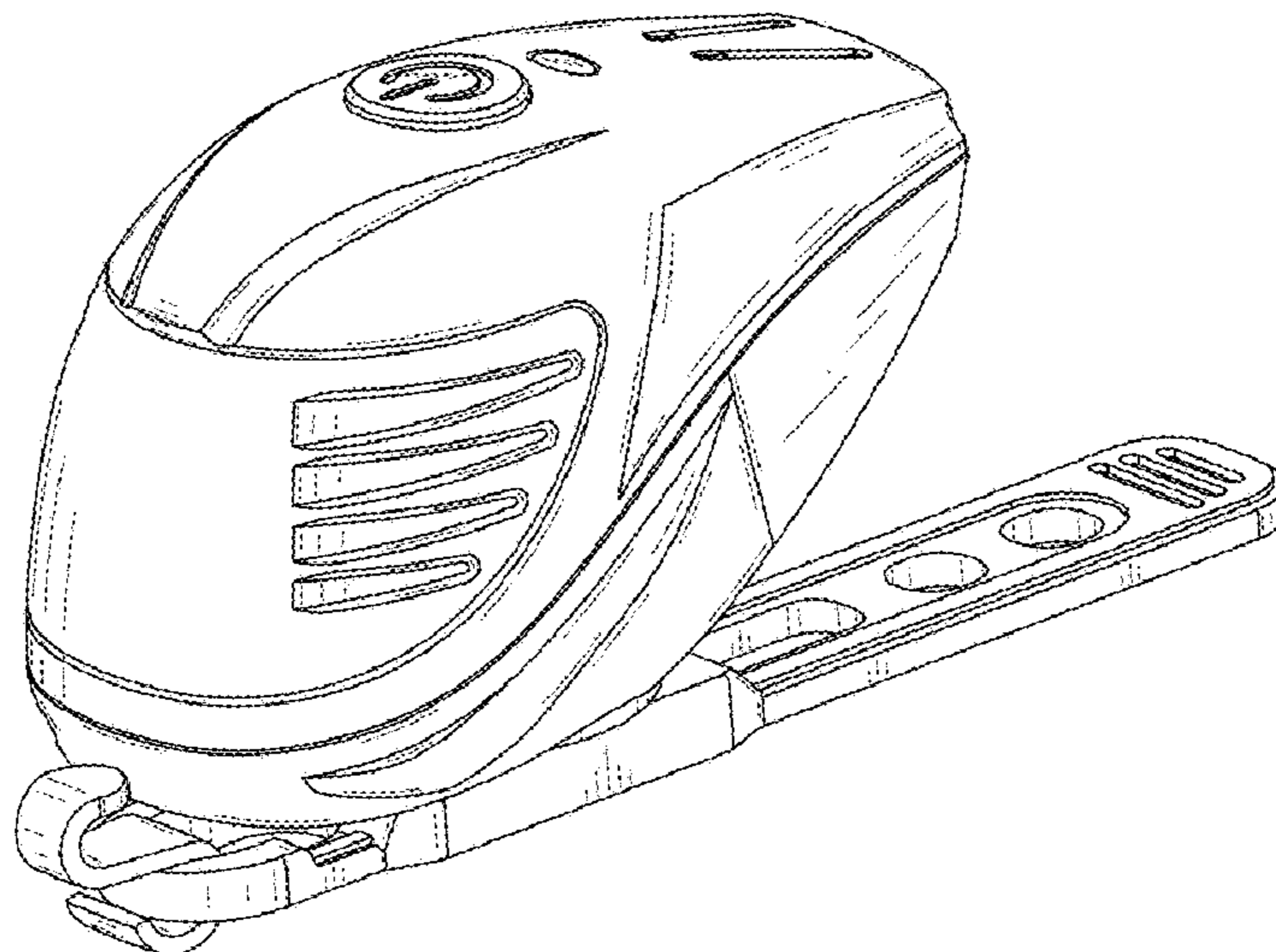
(57) **CLAIM**

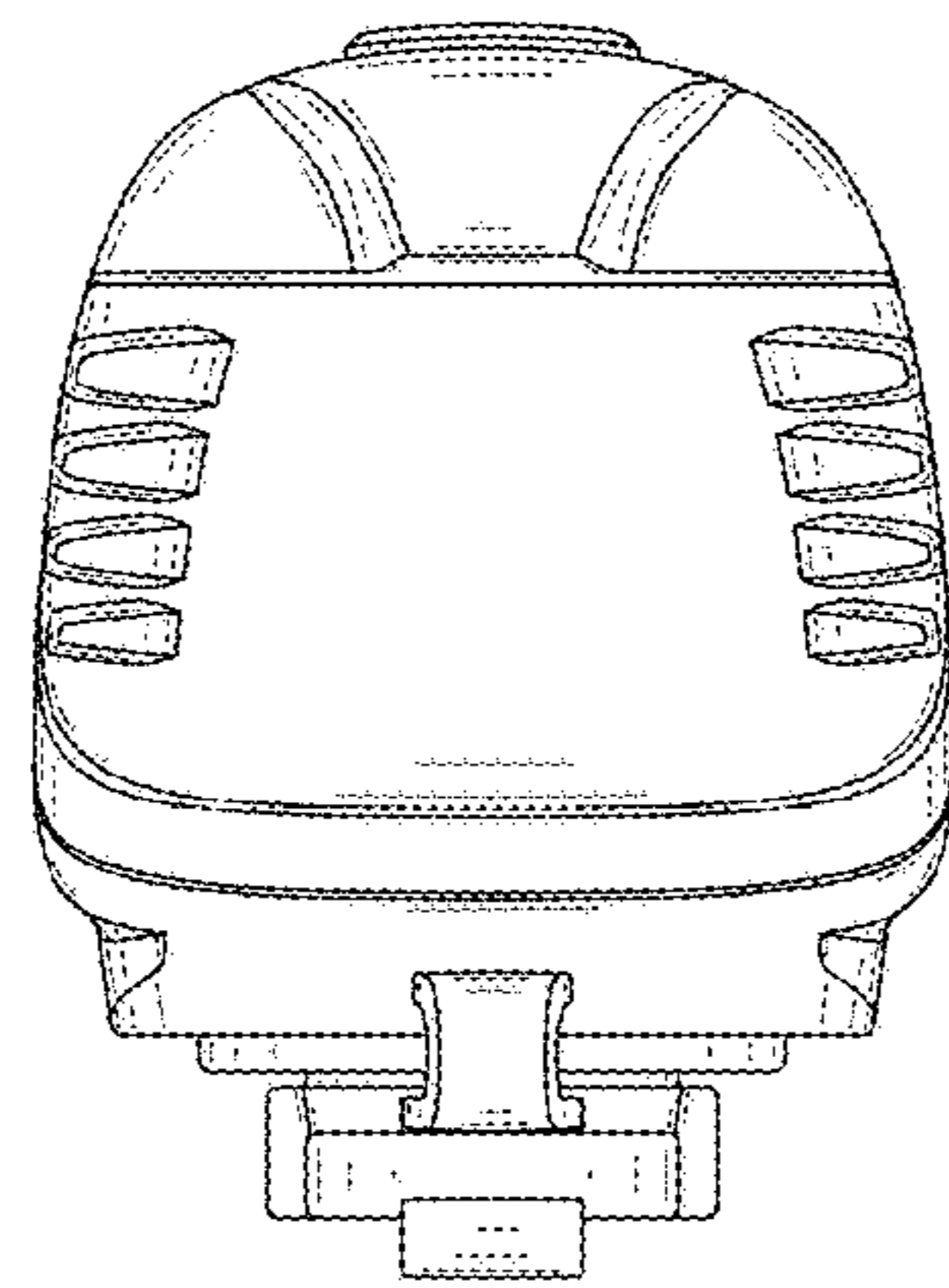
The ornamental design for bicycle light, as shown and described.

**DESCRIPTION**

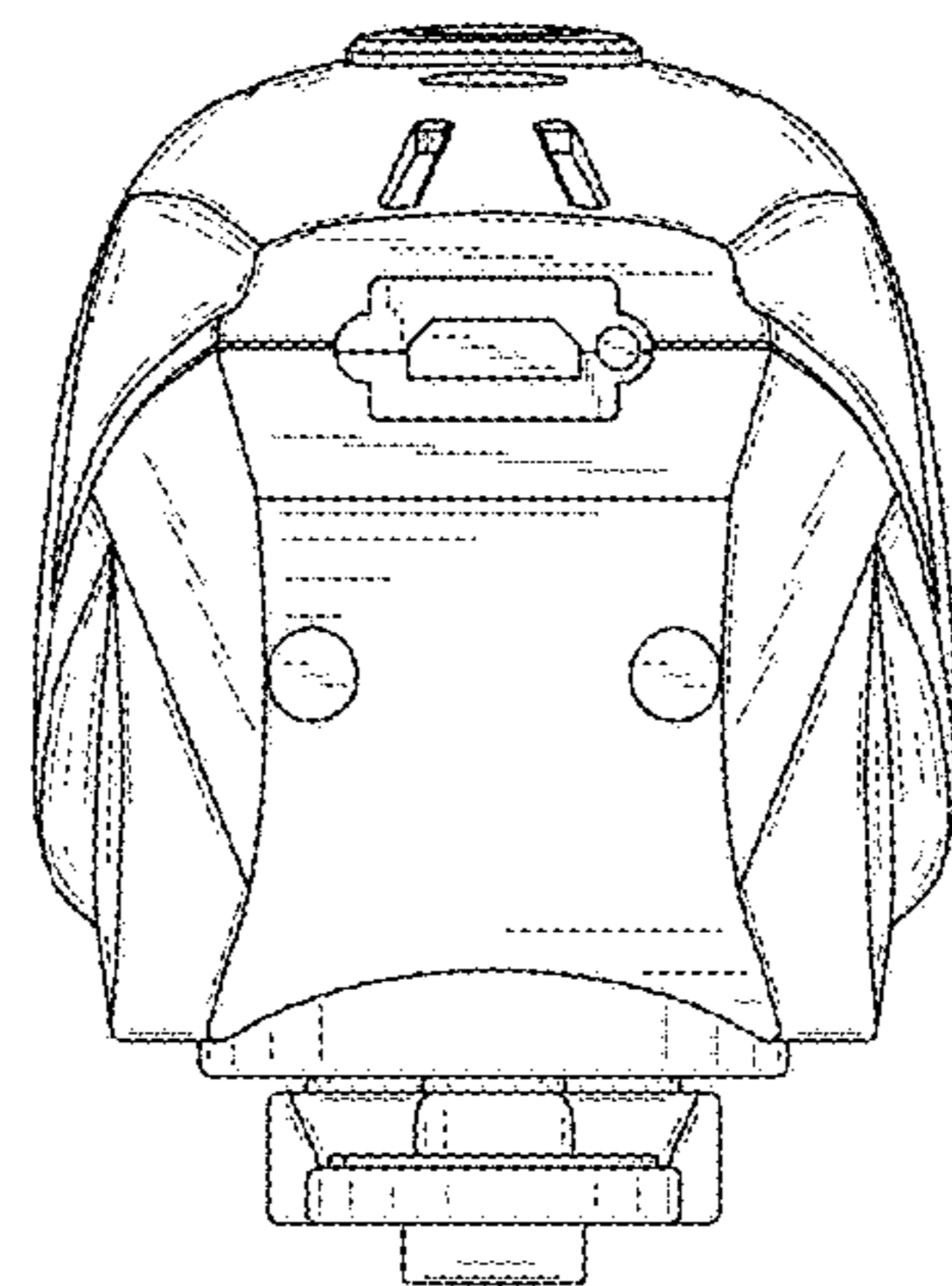
FIG. 1 is a front view of the draw-bar box showing our new design;  
FIG. 2 is a back view thereof;  
FIG. 3 is a left side view thereof;  
FIG. 4 is a right side view thereof;  
FIG. 5 is a top view thereof;  
FIG. 6 is a bottom view thereof;  
FIG. 7 is a perspective view thereof; and,  
FIG. 8 is another perspective view thereof.

**1 Claim, 5 Drawing Sheets**

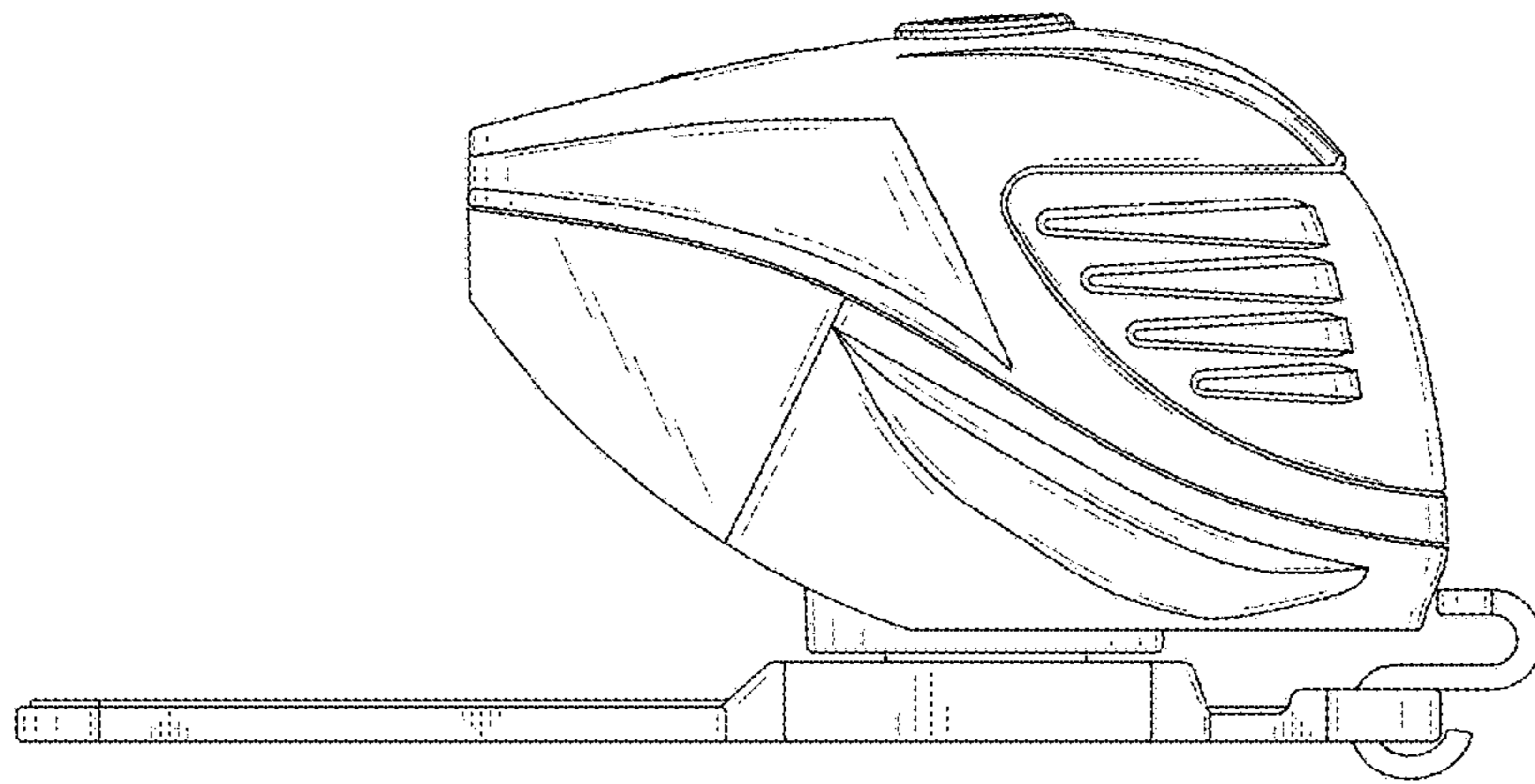




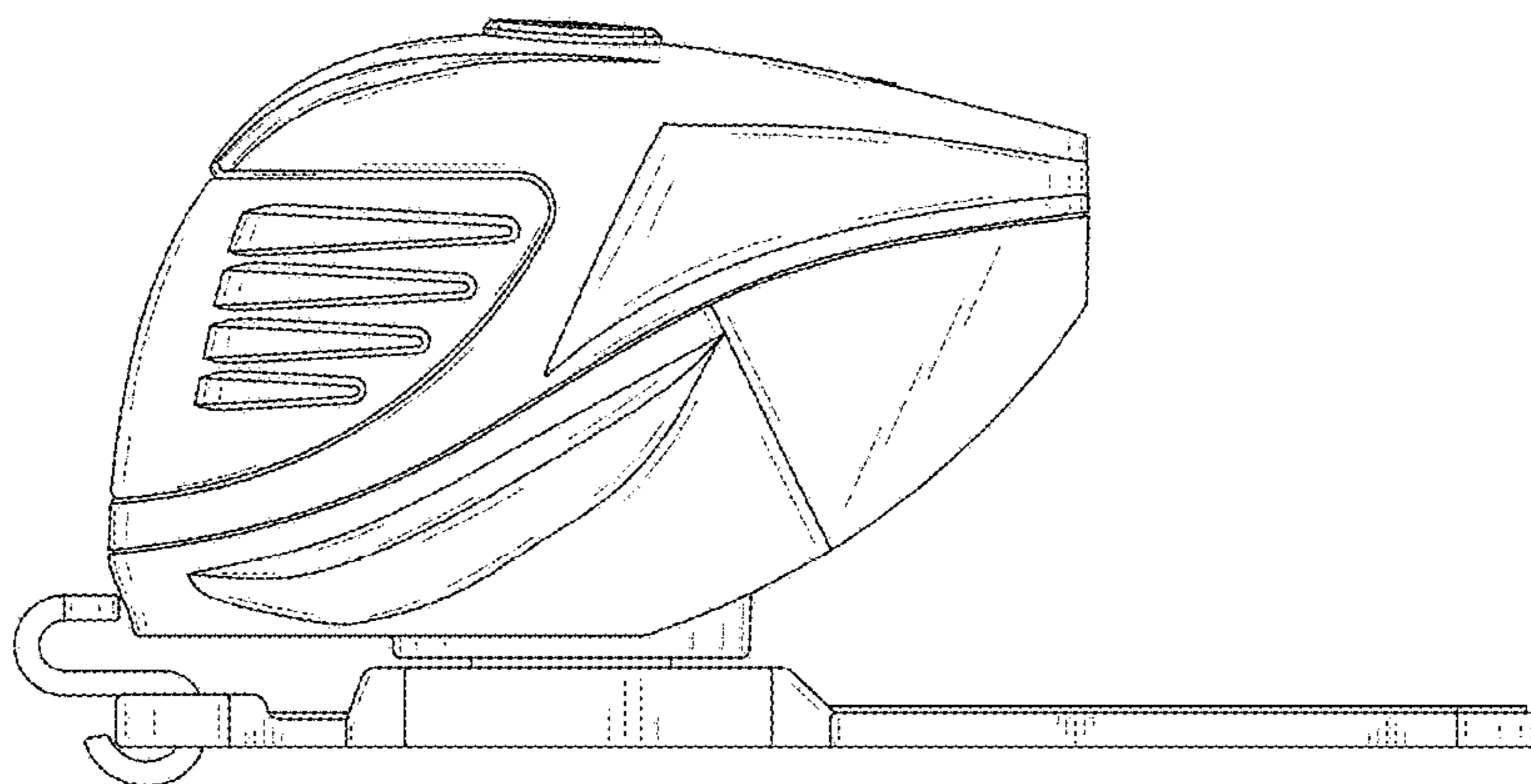
*Fig.1*



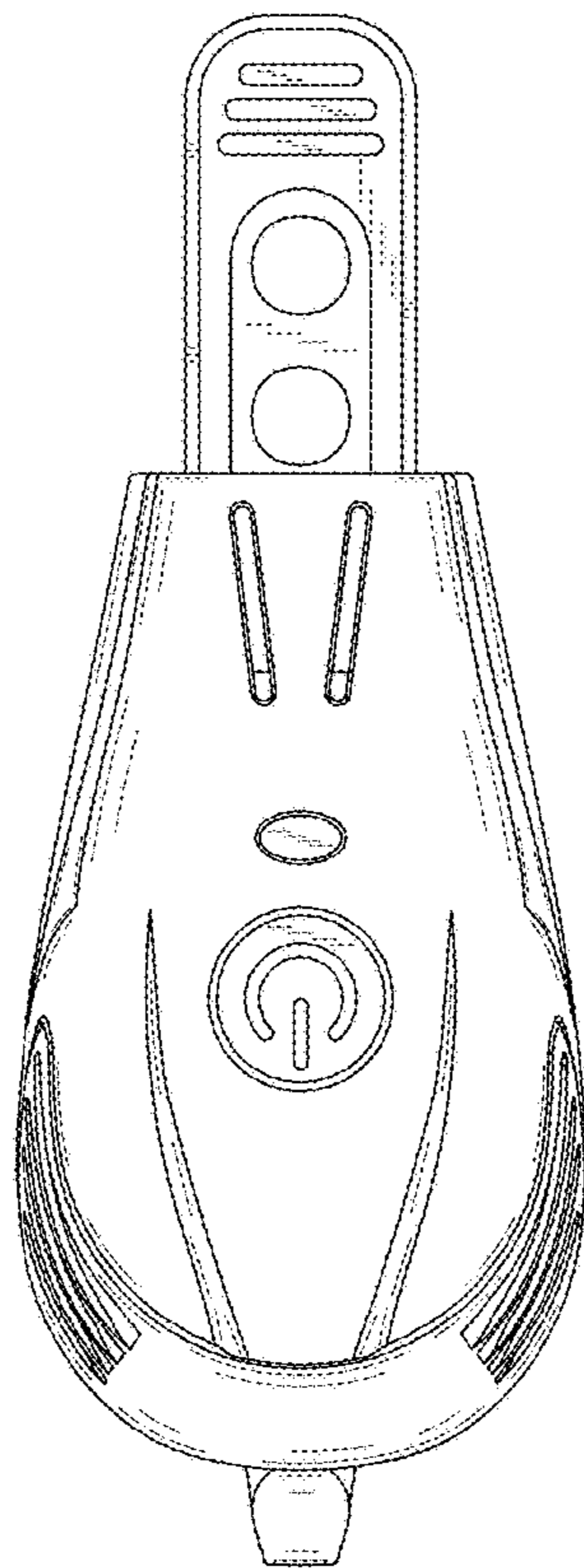
*Fig.2*



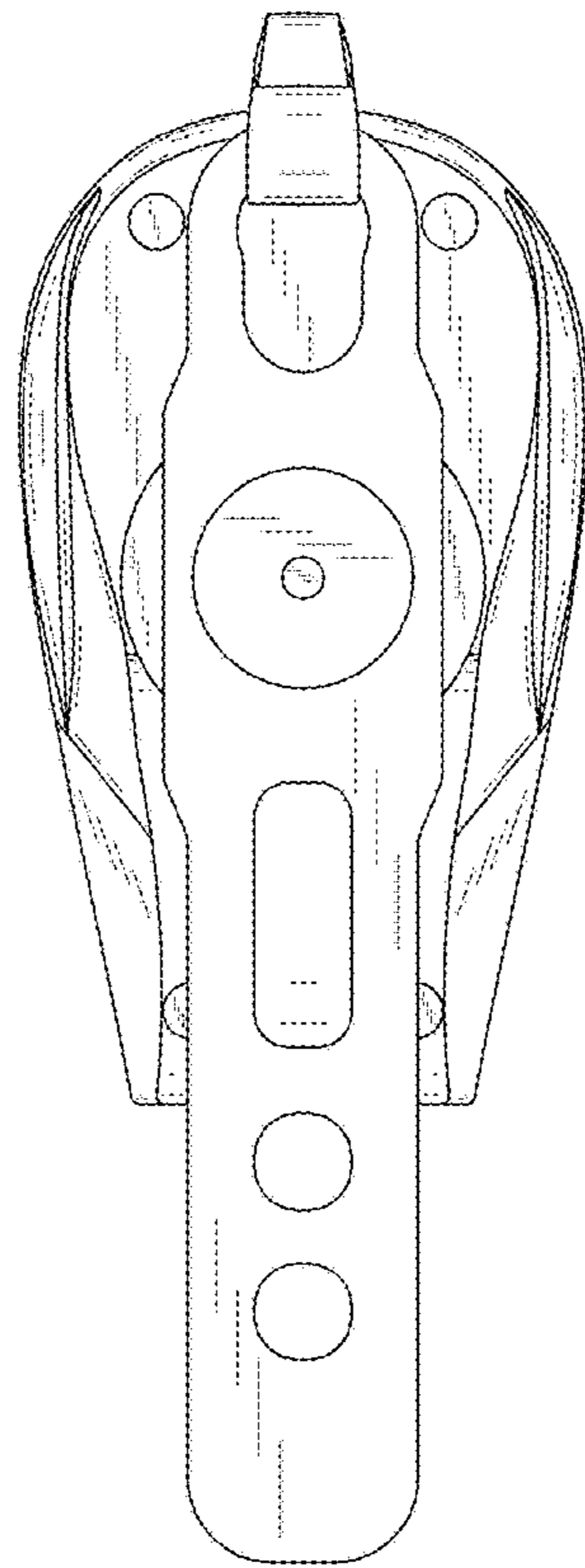
*Fig.3*



*Fig.4*



*Fig.5*



*Fig.6*



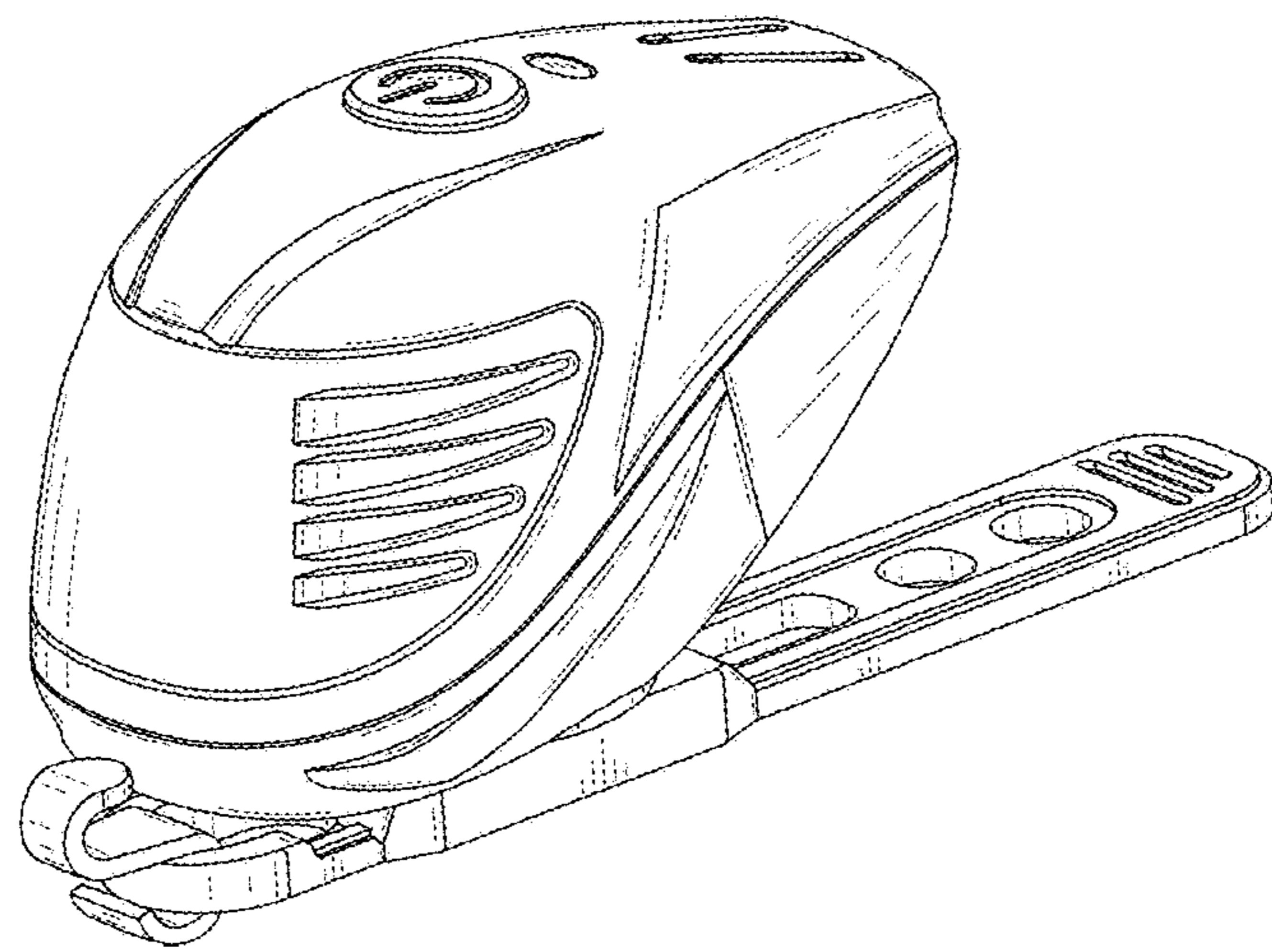


Fig.7

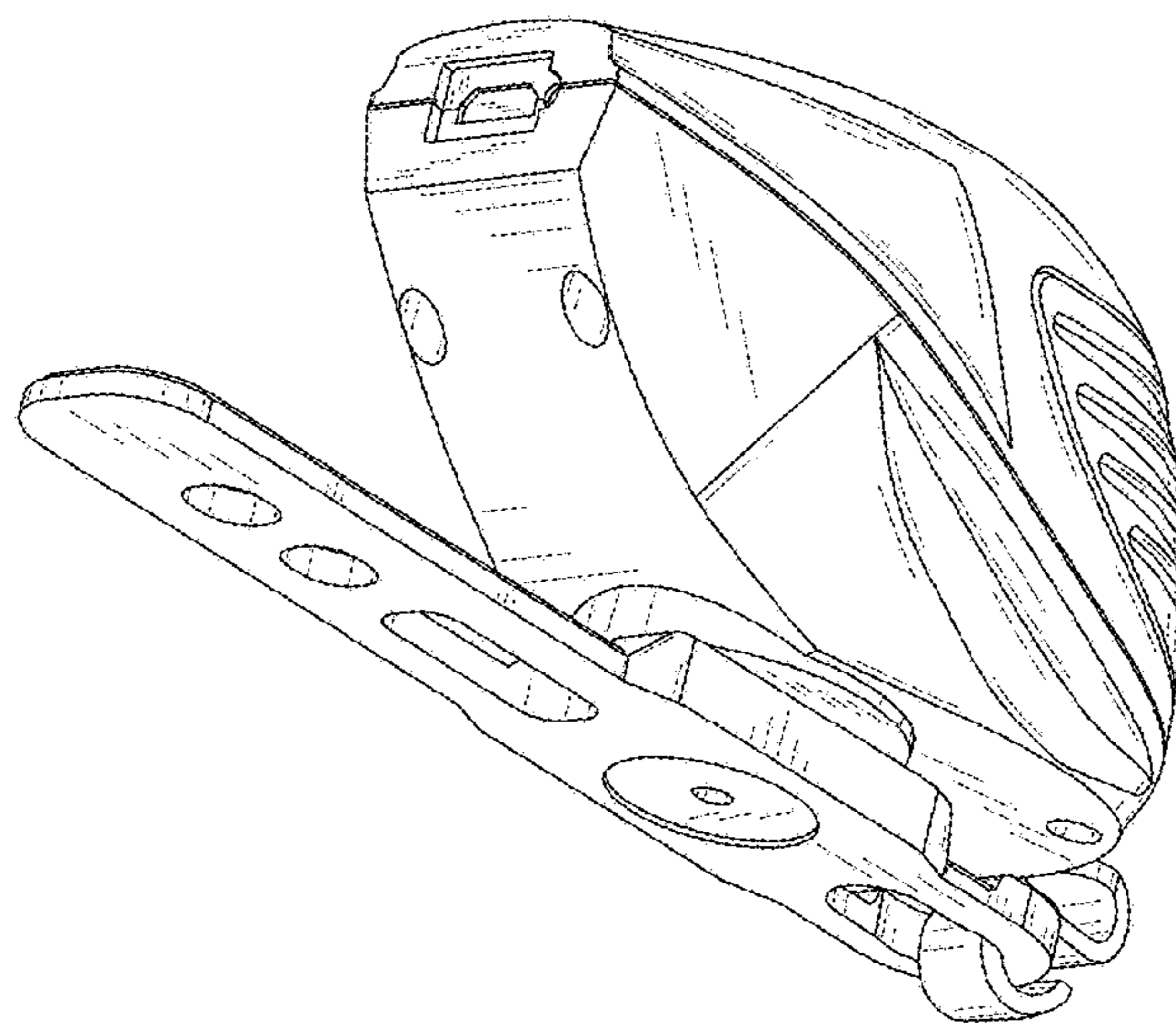


Fig.8