



US00D844194S

(12) **United States Design Patent**  
**Lin**

(10) **Patent No.:** **US D844,194 S**

(45) **Date of Patent:** **\*\* Mar. 26, 2019**

(54) **VEHICLE HEADLIGHT**

(71) Applicant: **KUEN HWA TRAFFIC INDUSTRIAL CO., LTD.**, Tainan (TW)

(72) Inventor: **Chung-I Lin**, Hsinchu (TW)

(73) Assignee: **Kuen Hwa Traffic Industrial Co., Ltd.**, Tainan (TW)

(\*\*) Term: **15 Years**

(21) Appl. No.: **29/622,013**

(22) Filed: **Oct. 13, 2017**

(51) **LOC (11) Cl.** ..... **26-07**

(52) **U.S. Cl.**  
USPC ..... **D26/28**

(58) **Field of Classification Search**  
USPC ..... D26/28, 29, 30, 31, 32, 33, 34, 35, 36;  
362/459-468, 475-478, 485-487  
CPC ..... F21S 48/00; F21S 48/10; F21S 48/115;  
F21S 48/225; F21S 48/1233; F21S 48/1266; F21S 48/1388; F21S 48/2268;  
F21V 21/04  
See application file for complete search history.

(56) **References Cited**

**U.S. PATENT DOCUMENTS**

D549,857 S \* 8/2007 Lin ..... D26/28  
D674,941 S \* 1/2013 Lai ..... D26/28

D718,893 S \* 12/2014 Lai ..... D26/28  
D760,413 S \* 6/2016 Shim ..... D26/28  
D761,463 S \* 7/2016 Lai ..... D26/28  
D761,981 S \* 7/2016 Tsutamori ..... D26/28  
D776,841 S \* 1/2017 Kozub ..... D26/28  
D787,719 S \* 5/2017 Lai ..... D26/28  
D797,332 S \* 9/2017 Lin ..... D26/28  
D802,185 S \* 11/2017 Lin ..... D26/28  
D802,812 S \* 11/2017 Lai ..... D26/28  
D809,682 S \* 2/2018 Lin ..... D26/28  
D820,487 S \* 6/2018 Lai ..... D26/28

\* cited by examiner

*Primary Examiner* — Angela J Lee

(74) *Attorney, Agent, or Firm* — Rosenberg, Klein & Lee

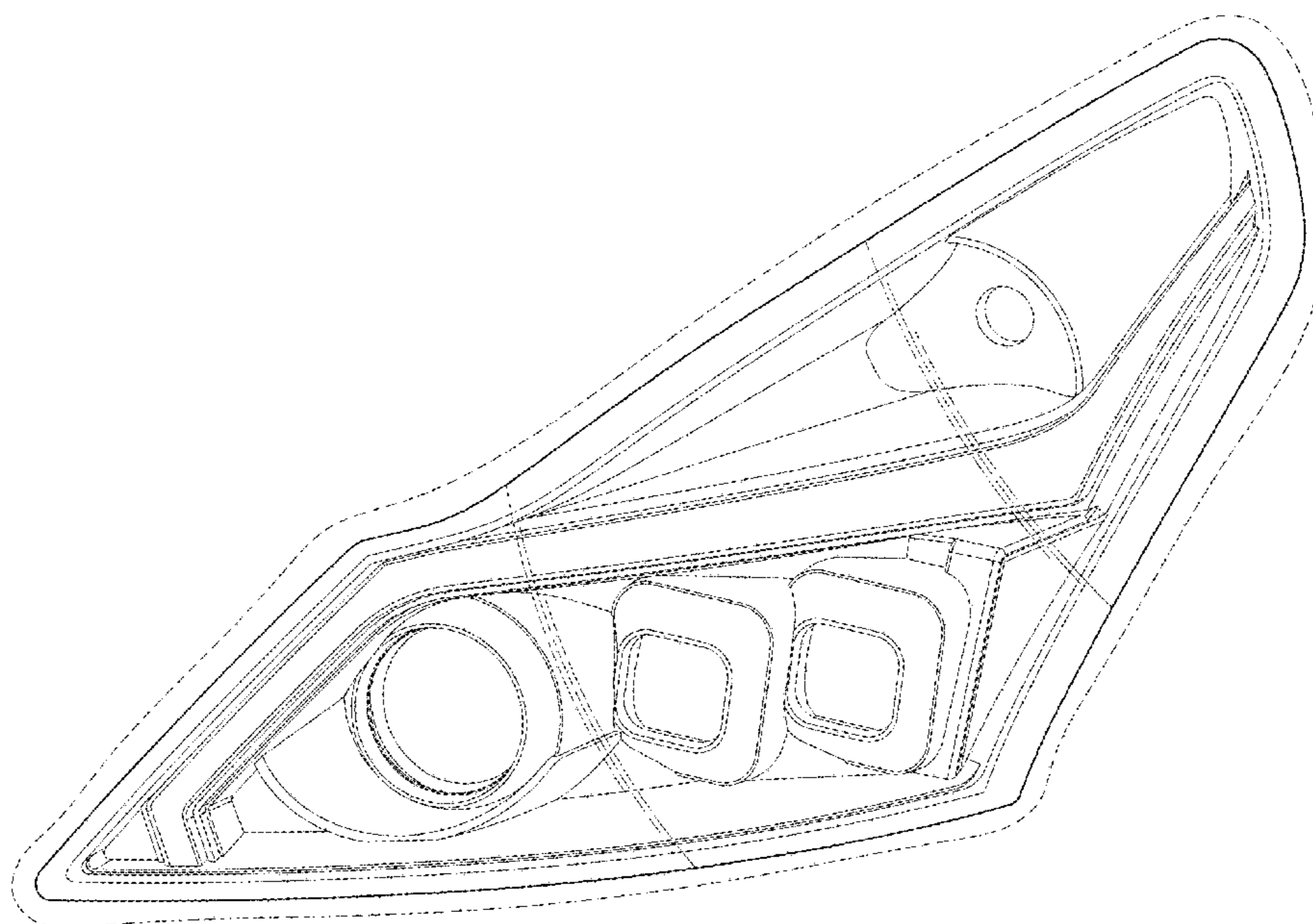
(57) **CLAIM**

The ornamental design for a vehicle headlight, as shown and described.

**DESCRIPTION**

FIG. 1 is a perspective view of a vehicle headlight showing my present design;  
FIG. 2 is a front view thereof;  
FIG. 3 is a right view thereof;  
FIG. 4 is a top plan view thereof; and,  
FIG. 5 is another perspective view thereof.  
The broken lines in the drawings illustrate portions of the vehicle headlight and form no part of the claimed design.

**1 Claim, 5 Drawing Sheets**



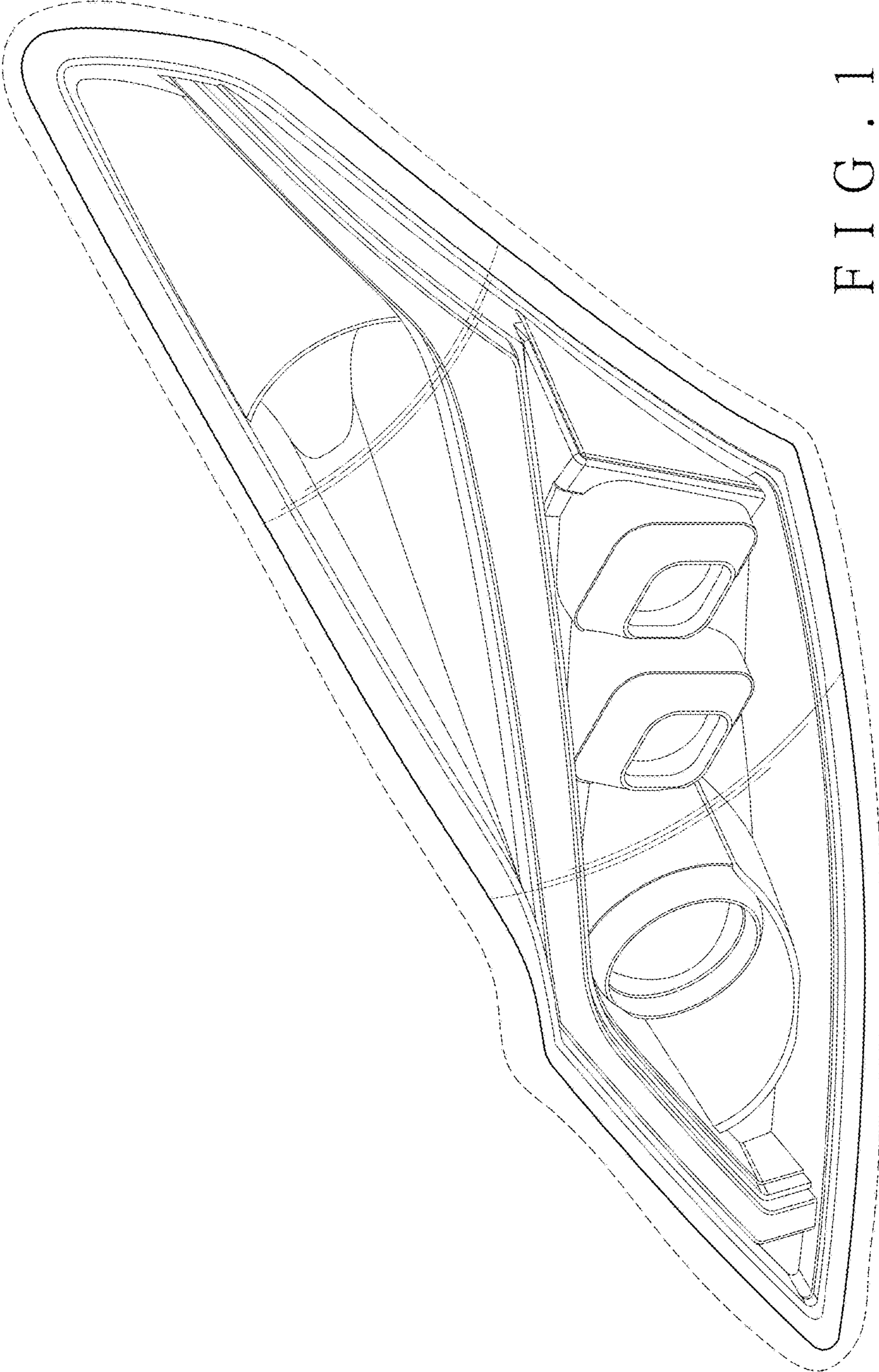


FIG. 1

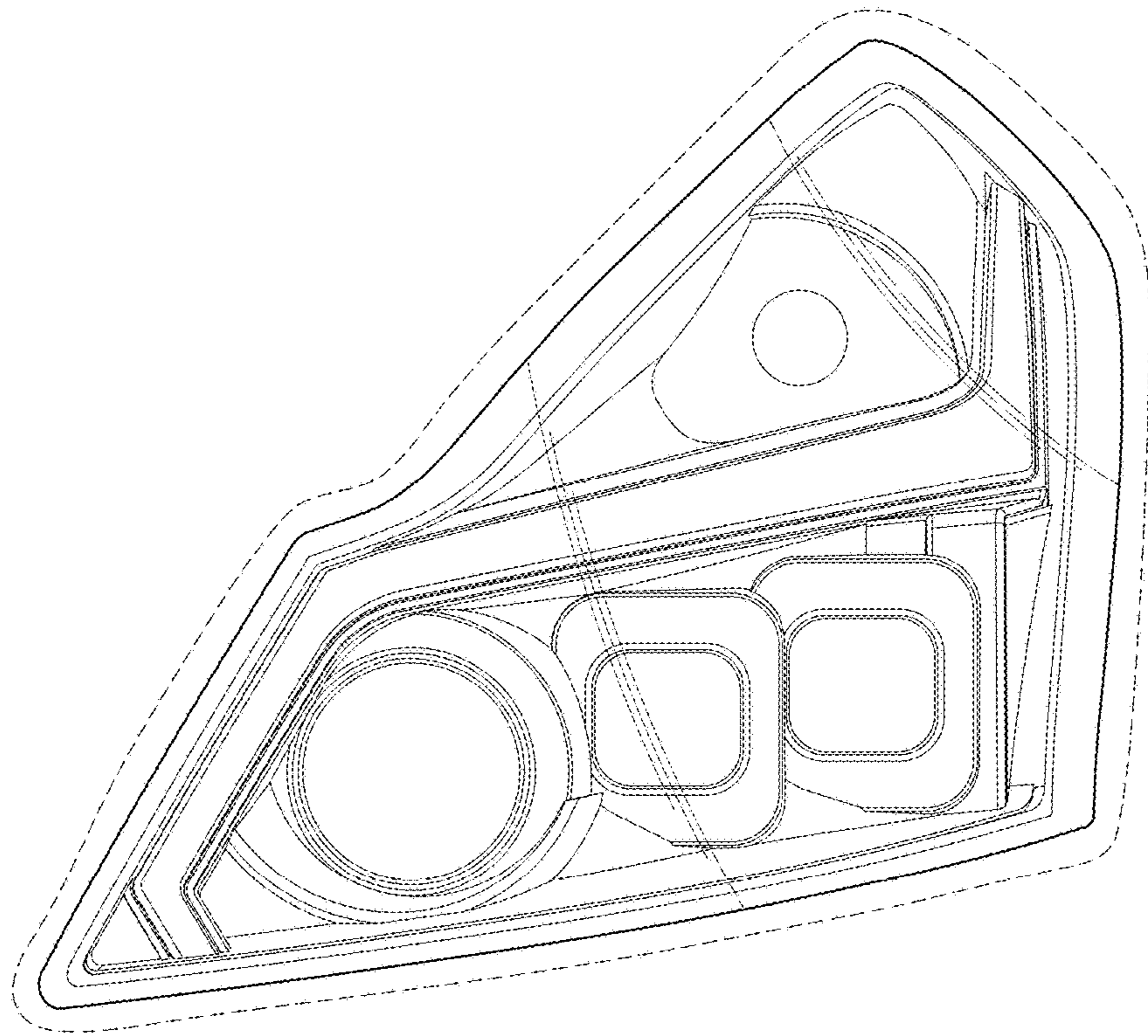


FIG. 2



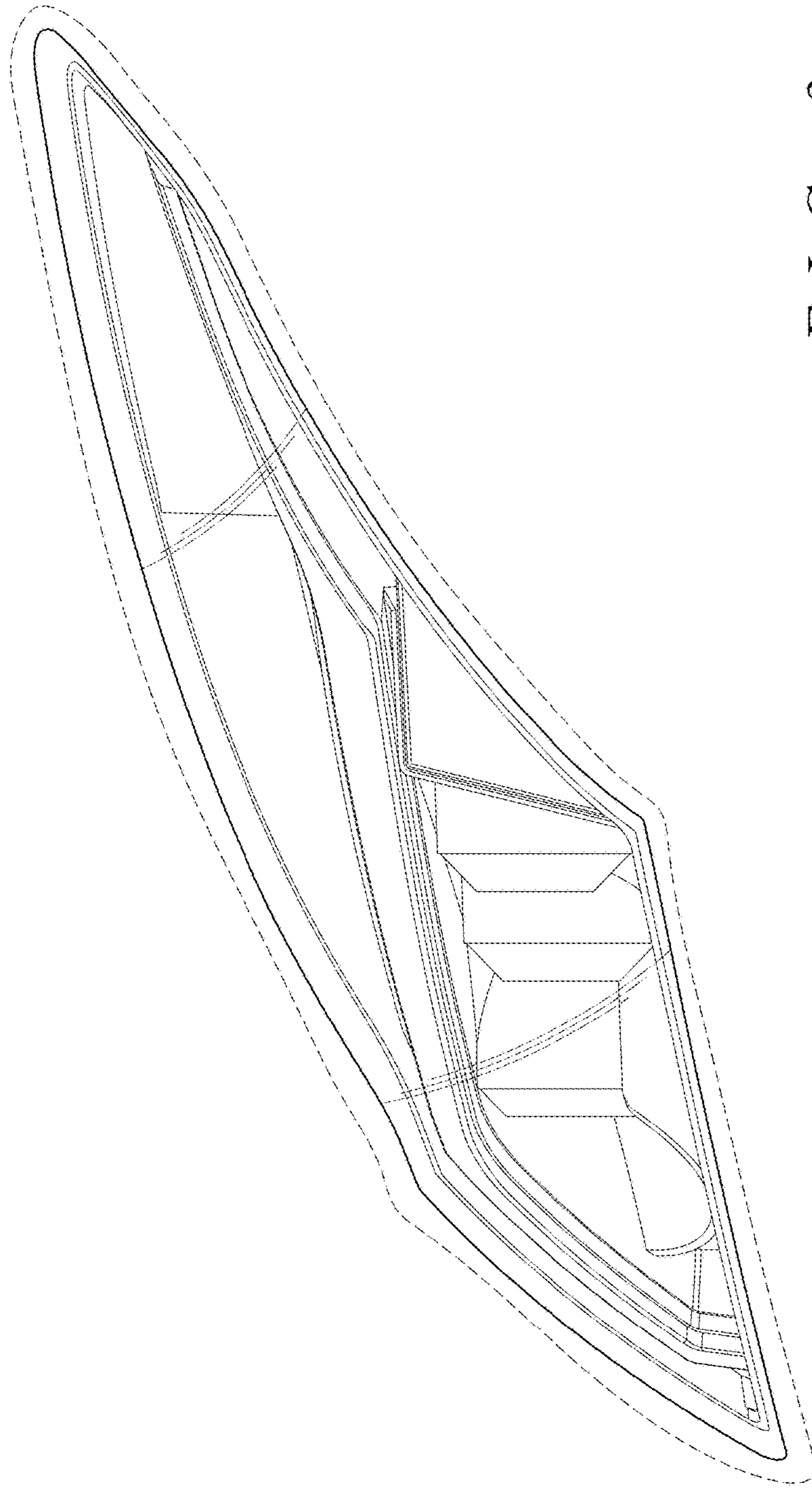


FIG. 3

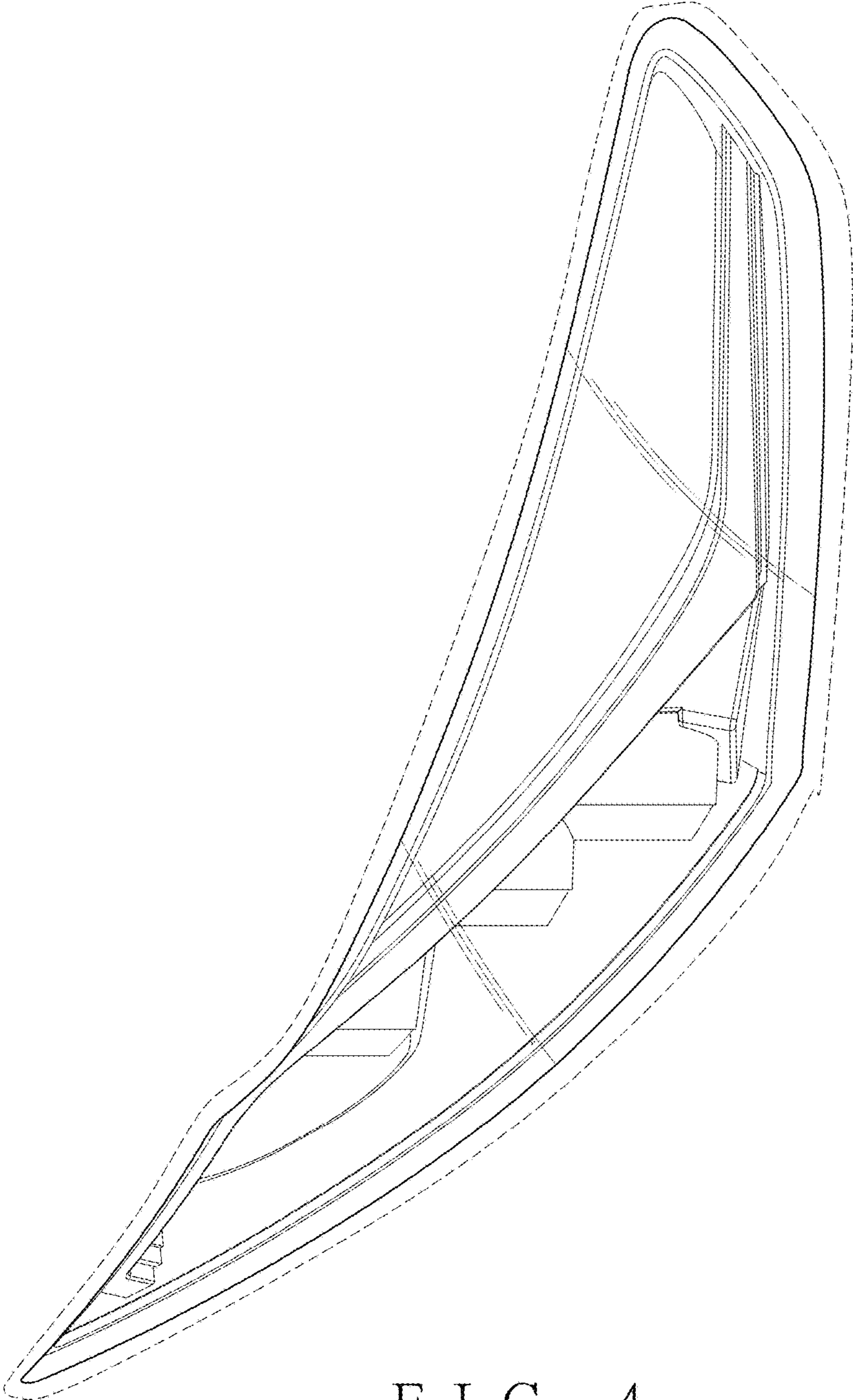


FIG. 4

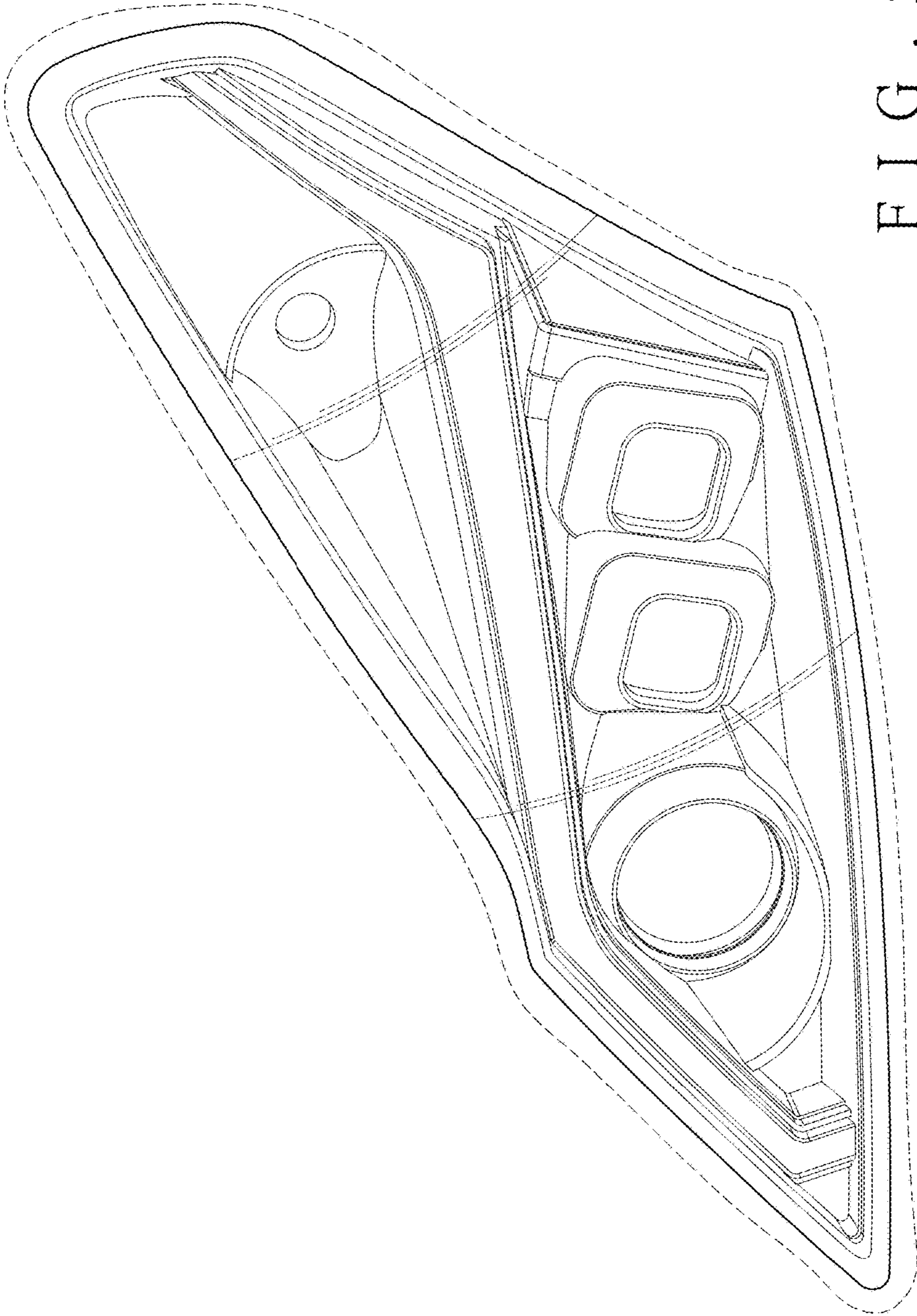


FIG. 5