



US00D844193S

(12) **United States Design Patent** (10) **Patent No.:** **US D844,193 S**  
**Zhang et al.** (45) **Date of Patent:** **\*\* Mar. 26, 2019**

(54) **REAR COMBINATION LAMP FOR AN AUTOMOBILE**

D805,665 S \* 12/2017 Tsai ..... D26/28  
D806,291 S \* 12/2017 Platto ..... D26/28  
D806,918 S \* 1/2018 Koizumi ..... D26/28

(Continued)

(71) Applicant: **Nissan Motor Co., Ltd.**, Yokohama, Kanagawa (JP)

*Primary Examiner* — Angela J Lee

(72) Inventors: **Xiao Kang Zhang**, Beijing (CN); **Yu Chia Hsu**, Kanagawa (JP)

(57) **CLAIM**

The ornamental design for a rear combination lamp for an automobile, as shown and described.

(73) Assignee: **Nissan Motor Co., Ltd.**, Yokohama (JP)

**DESCRIPTION**

(\*\*) Term: **15 Years**

FIG. 1 is a front elevational view of a rear combination lamp for an automobile in accordance with a first embodiment of our new design;

(21) Appl. No.: **29/607,039**

FIG. 2 is a rear elevational view thereof;

(22) Filed: **Jun. 9, 2017**

FIG. 3 is a top plan view thereof;

(30) **Foreign Application Priority Data**

Dec. 12, 2016 (JP) ..... 2016-026862

FIG. 4 is a bottom plan view thereof;

(51) **LOC (11) Cl.** ..... **26-07**

FIG. 5 is a left side elevational view thereof;

(52) **U.S. Cl.**  
USPC ..... **D26/28**

FIG. 6 is a right side elevational view thereof; and,

(58) **Field of Classification Search**  
USPC ..... D26/28, 29, 30, 31, 32, 33, 34, 35, 36;  
362/459-468, 475-478, 485-487  
CPC ..... F21S 48/00; F21S 48/10; F21S 48/115;  
F21S 48/225; F21S 48/1233; F21S  
48/1266; F21S 48/1388; F21S 48/2268;  
F21V 21/04

FIG. 7 is a front side perspective view thereof.

See application file for complete search history.

The rear combination lamp is configured to be mounted to an automobile. The mounting structure and support structure of the rear combination lamp, shown in broken lines in FIGS. 1 to 7, form no part of the claimed design since the mounting structure and support structure are hidden when the rear combination lamp is mounted to the automobile.

(56) **References Cited**

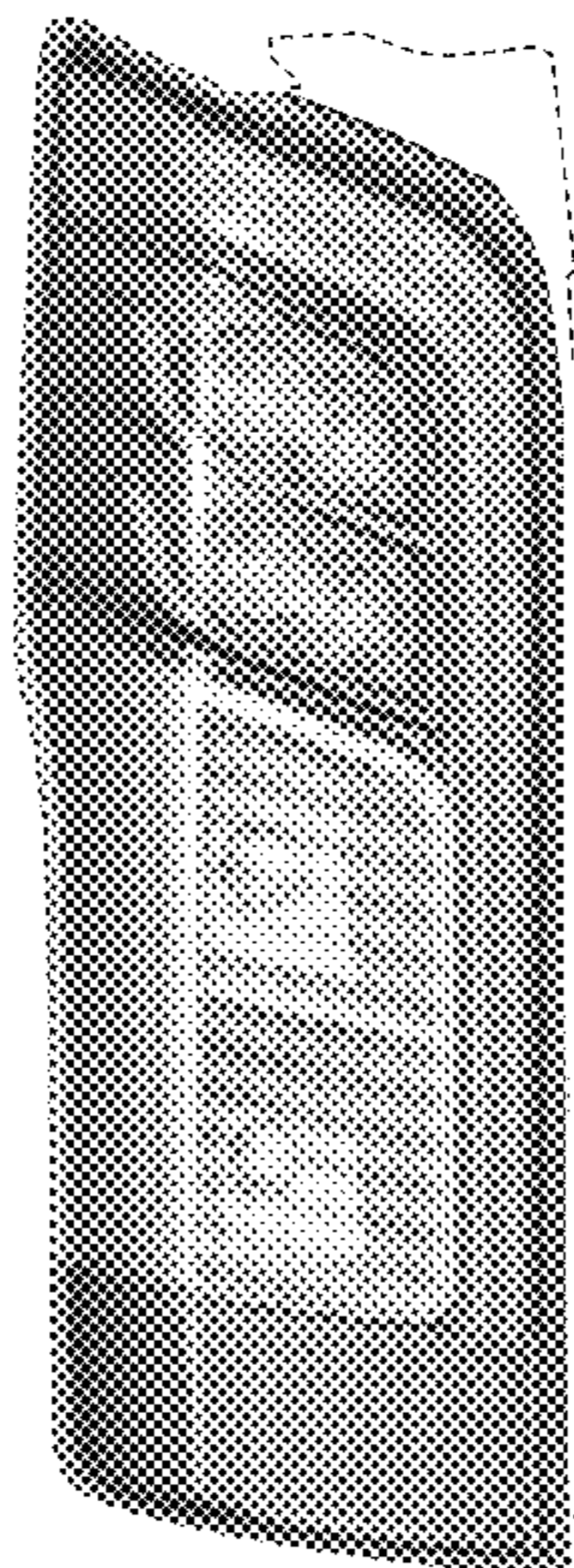
**U.S. PATENT DOCUMENTS**

D611,175 S \* 3/2010 Elliott ..... D26/28  
D621,534 S \* 8/2010 Woolley ..... D26/28  
D792,624 S \* 7/2017 Lai ..... D26/28  
D797,971 S \* 9/2017 Mainville ..... D26/28  
D801,561 S \* 10/2017 Kang ..... D26/28

In addition, the appearance of the rear side structures of the rear combination lamp as shown in broken lines in FIGS. 2 to 6 is for purpose of illustrating the boundaries of the exterior surface of the rear combination lamp, and forms no part of the claimed design. The rear combination lamp has a front lens that is transparent such that features behind the lens are at least partially visible as illustrated.

A second embodiment of our new design is identical to the first embodiment except that it is a mirror image. The second embodiment of our new design includes the mirror image of the rear combination lamp for an automobile as shown in FIGS. 1 to 7.

**1 Claim, 7 Drawing Sheets**



(56)

**References Cited**

U.S. PATENT DOCUMENTS

D812,276 S *	3/2018	Lin	.....	D26/28
D816,247 S *	4/2018	Wu	.....	D26/28
D822,235 S *	7/2018	Lin	.....	D26/28
D822,239 S *	7/2018	Lin	.....	D26/28
D823,497 S *	7/2018	Kim	.....	D26/28

\* cited by examiner

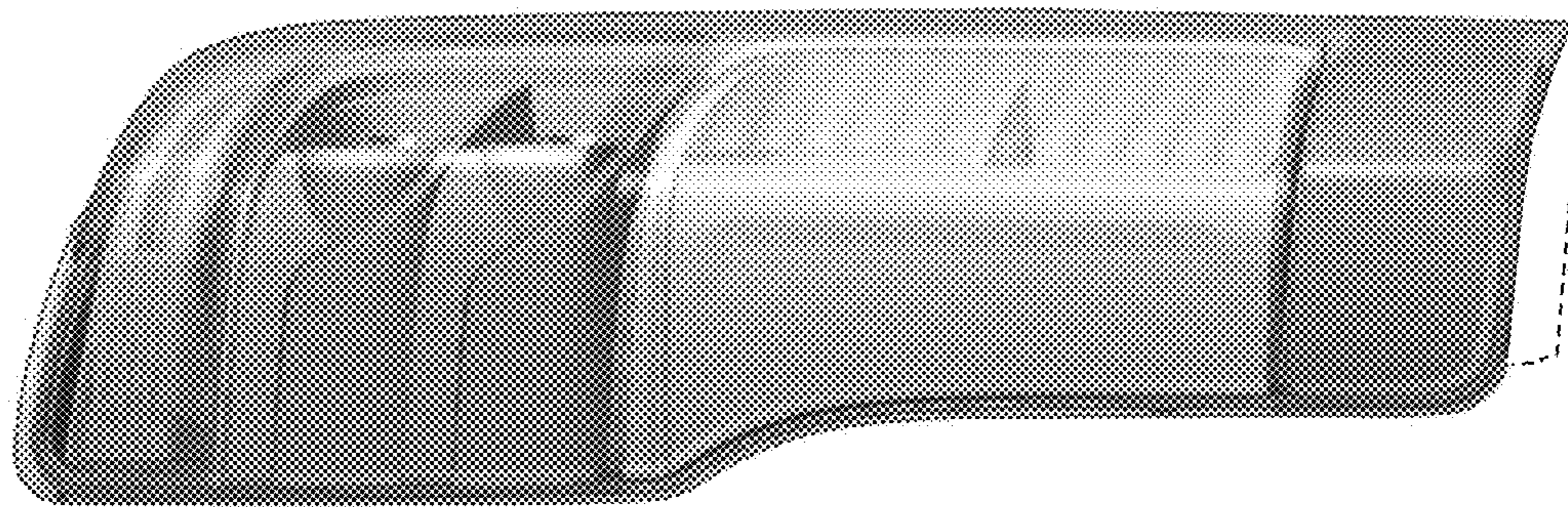


FIG. 1

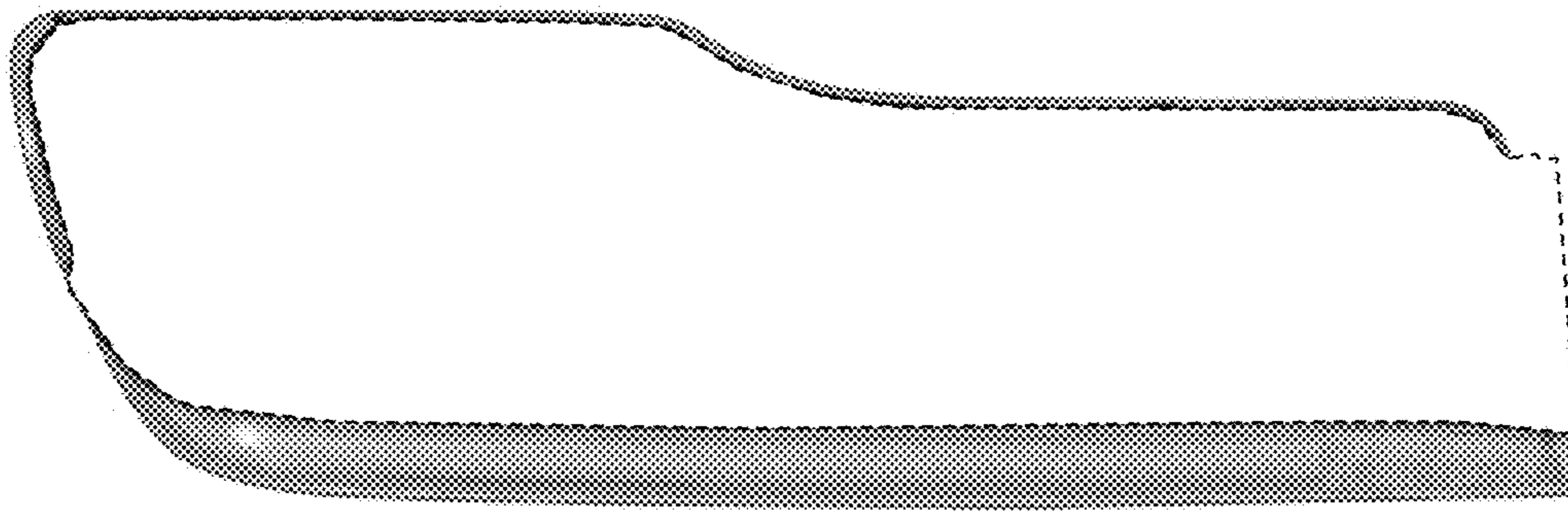


FIG. 2

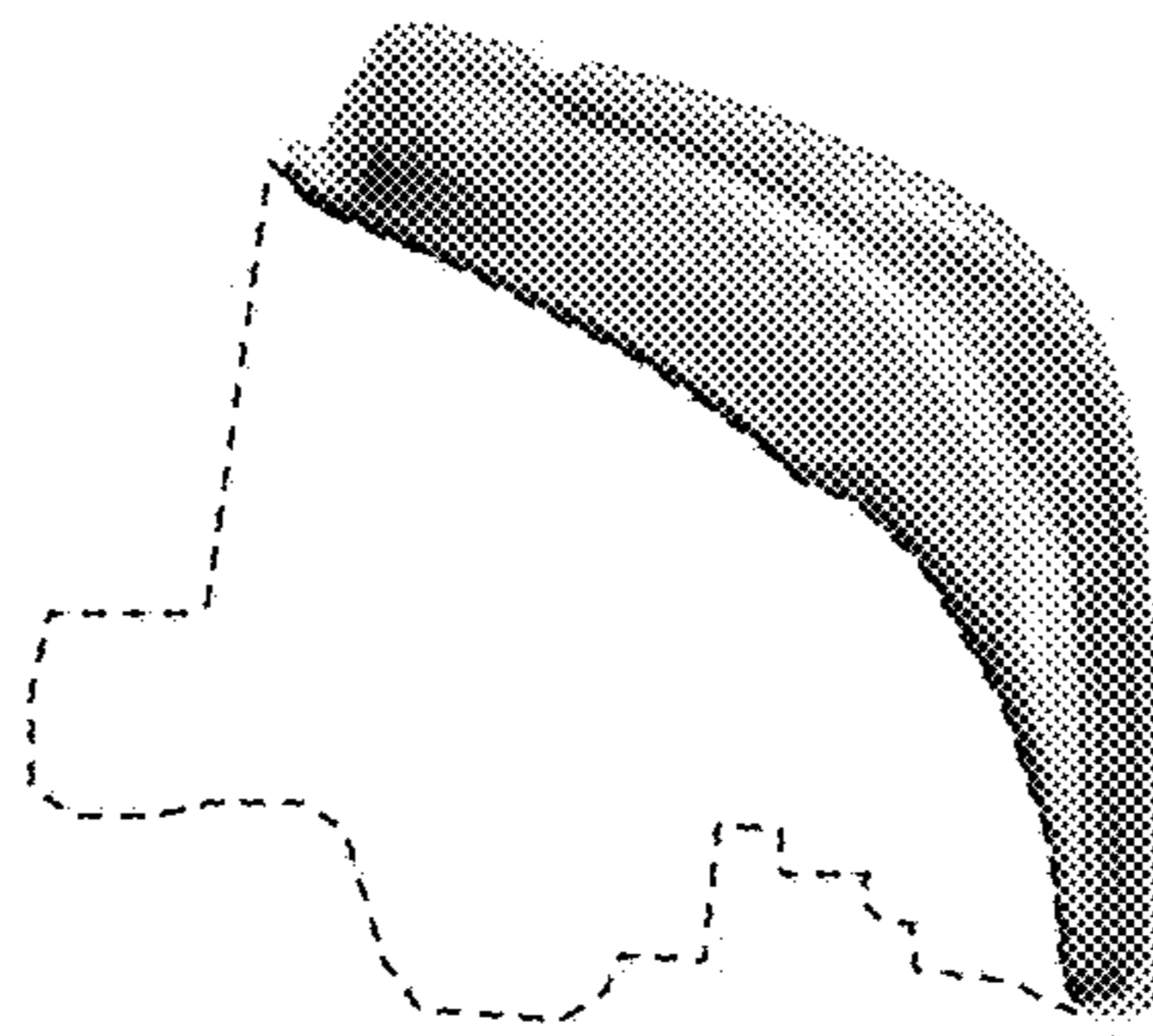


FIG. 3

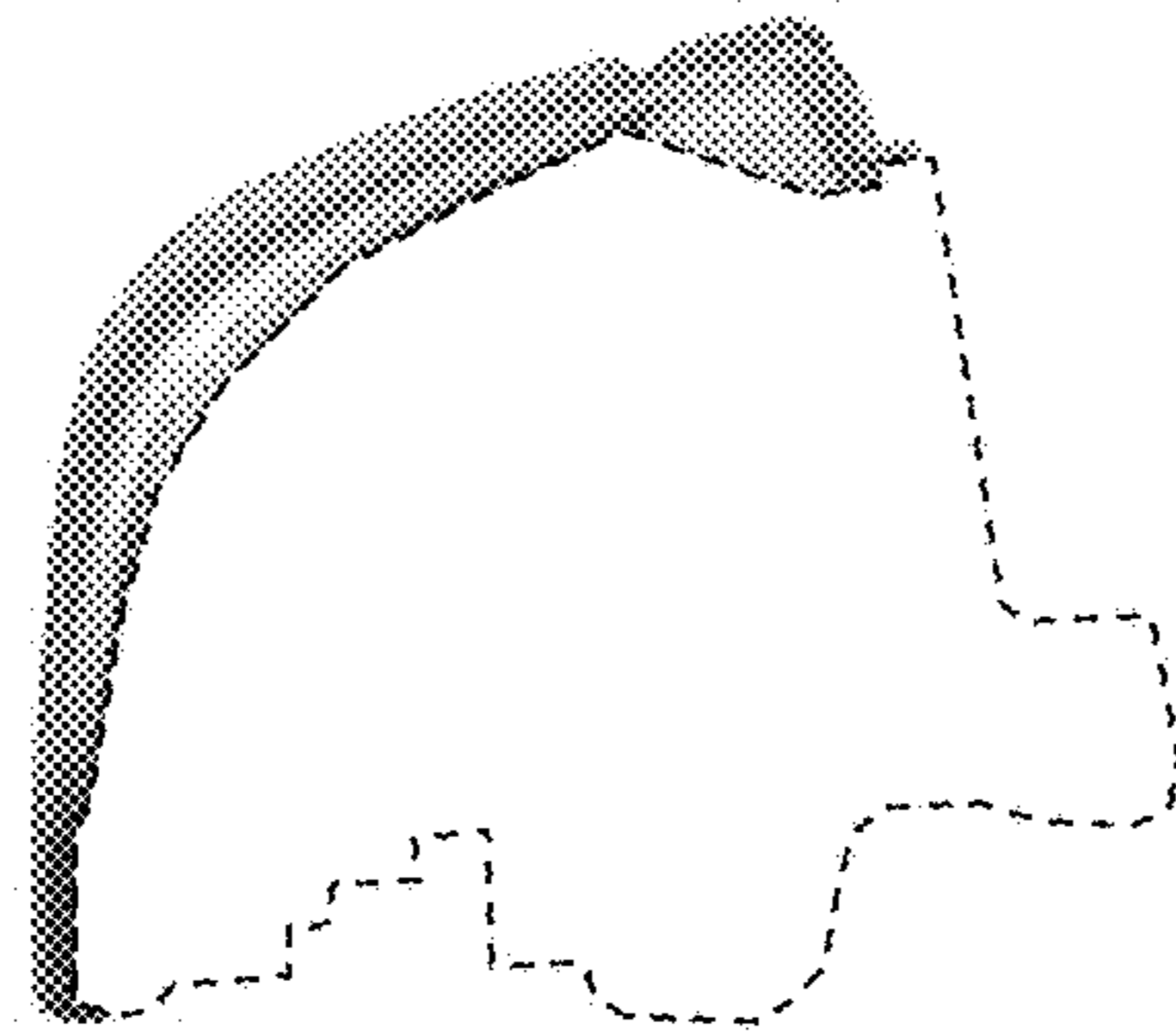


FIG. 4

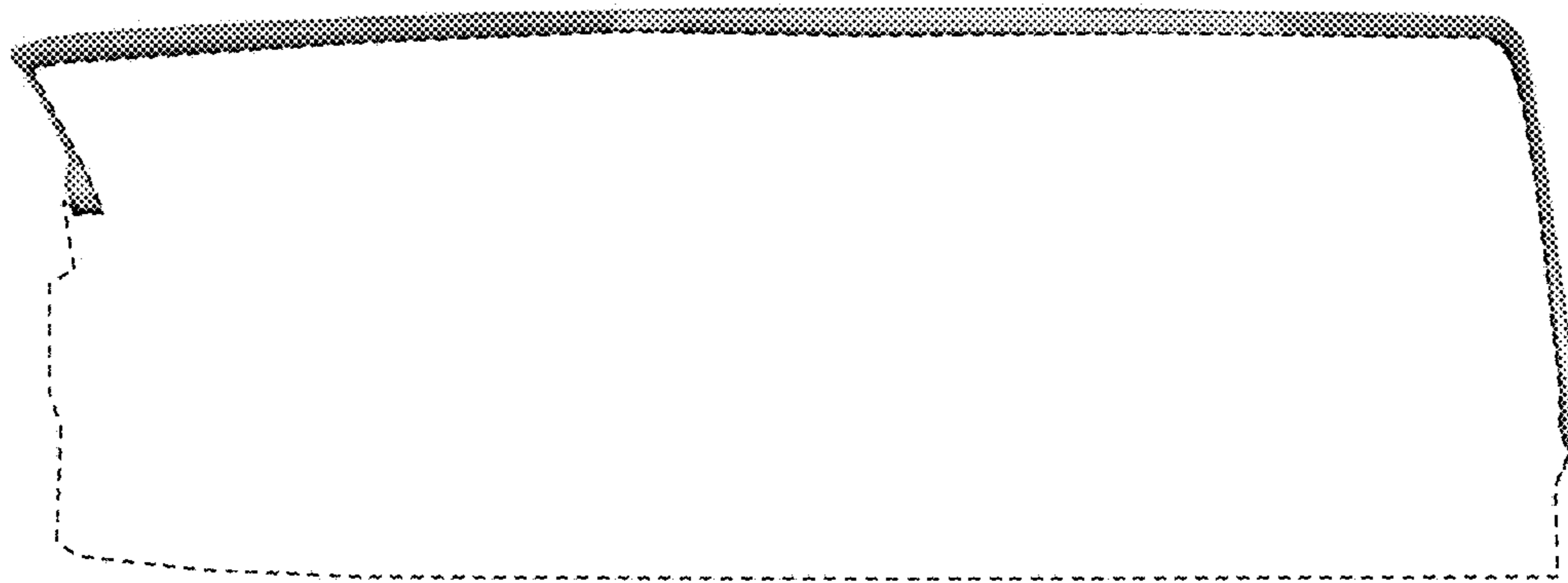


FIG. 5

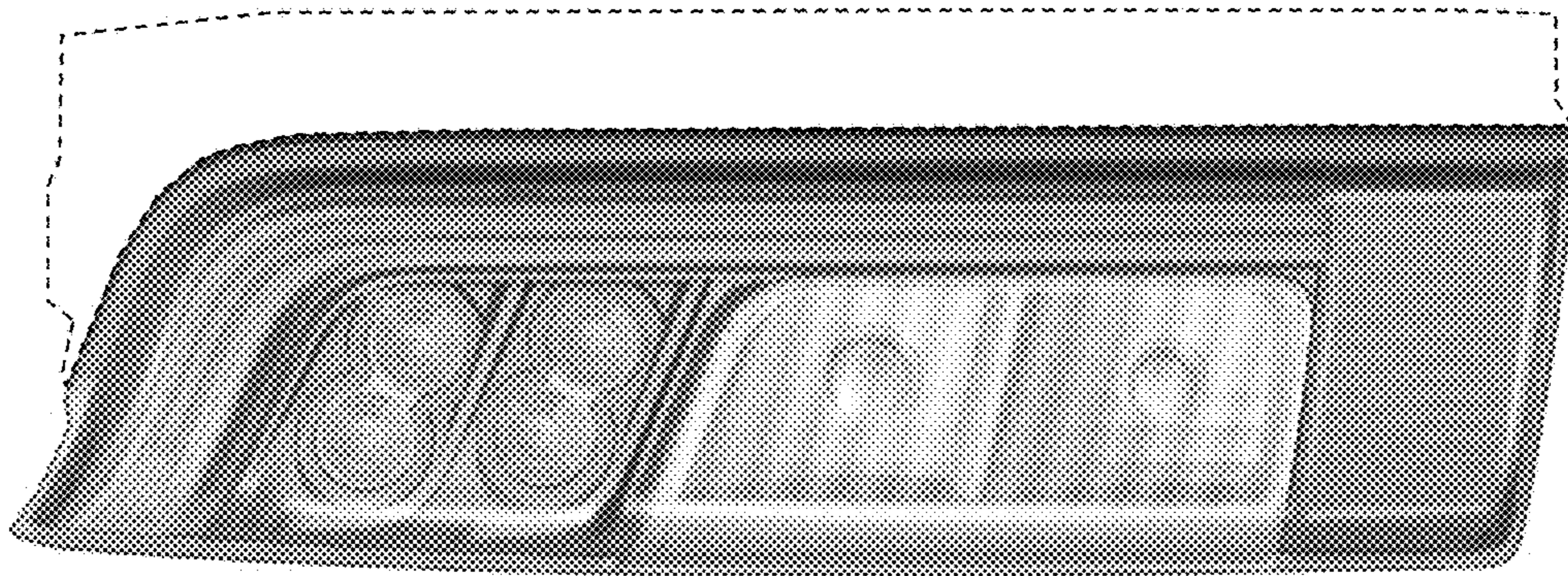


FIG. 6



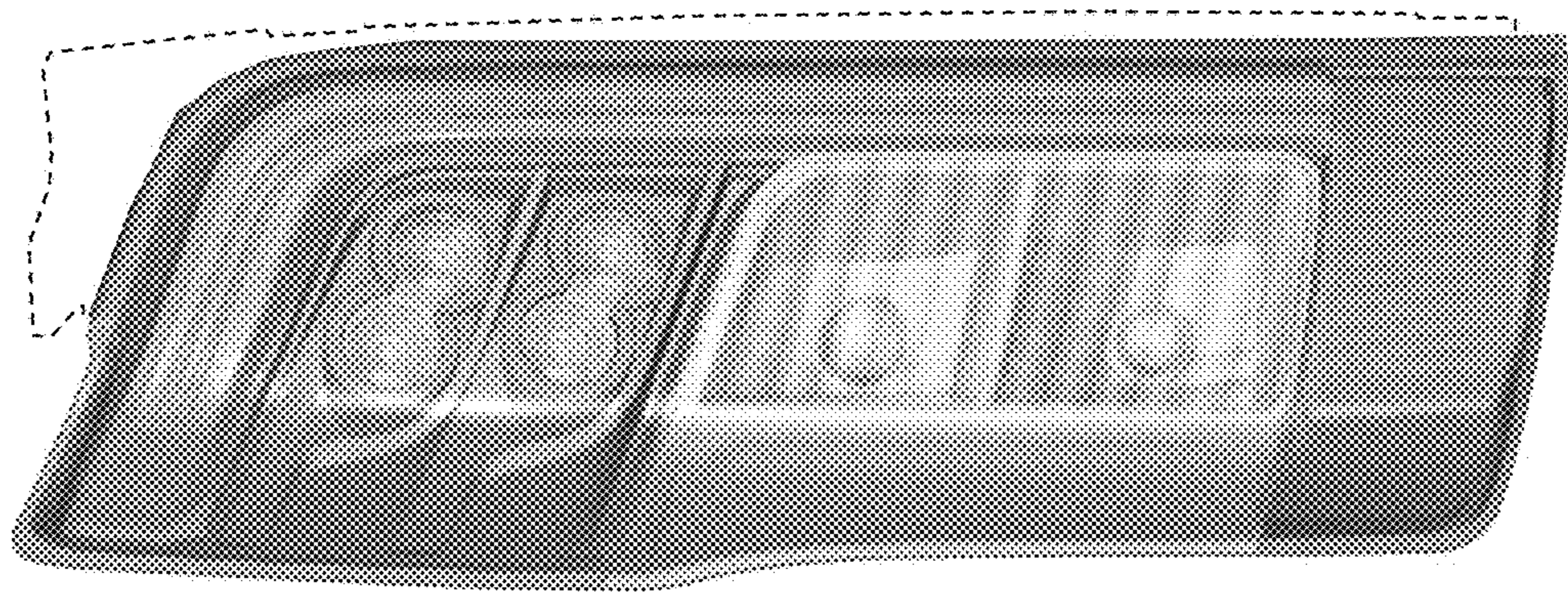


FIG. 7