



US00D844188S

(12) **United States Design Patent**
Nordmann

(10) **Patent No.:** **US D844,188 S**

(45) **Date of Patent:** **** Mar. 26, 2019**

(54) **HEADLIGHT FOR A VEHICLE**
(71) Applicant: **Bayerische Motoren Werke**
Aktiengesellschaft, Munich (DE)

D676,166 S * 2/2013 Lai D26/28
D677,813 S * 3/2013 Hanaoka D26/28
D686,356 S 7/2013 Morgenstern
(Continued)

(72) Inventor: **Christoph Nordmann, Munich (DE)**

FOREIGN PATENT DOCUMENTS

(73) Assignee: **Bayerische Motoren Werke**
Aktiengesellschaft, Munich (DE)

EM 002250126-0001 8/2013
WO DM/076561 2/2012
(Continued)

(**) Term: **15 Years**

Primary Examiner — Philip S Hyder
Assistant Examiner — Cary M Robinson

(21) Appl. No.: **29/605,301**

(74) *Attorney, Agent, or Firm* — Crowell & Moring LLP

(22) Filed: **May 25, 2017**

(57) **CLAIM**

(30) **Foreign Application Priority Data**

The ornamental design for a headlight for a vehicle, as shown and described.

Nov. 30, 2016 (DE) 40 2016 101 441

DESCRIPTION

(51) **LOC (11) Cl.** **26-06**

(52) **U.S. Cl.**

USPC **D26/28**

(58) **Field of Classification Search**

USPC D12/86, 90–92, 114, 163, 169, 171–173,
D12/181, 190, 196, 197, 199, 400;
D26/28–36

CPC ... B62J 6/02; B62J 6/00; B60Q 3/0279; F21S
48/00; F21S 48/10; F21S 48/115; F21S
48/225; F21S 48/1233; F21S 48/1266;
F21S 48/1388; F21S 48/2268; F21V
21/04

See application file for complete search history.

This application contains subject matter related to the following co-pending U.S. design patent applications:

Application Ser. No. 29/579,113, filed Sep. 28, 2016 and entitled “Headlight for a Vehicle”;

Application Ser. No. 29/594,698, filed Feb. 22, 2017 and entitled “Headlight for a Vehicle”;

Application Ser. No. 29/605,288, filed herewith and entitled “Vehicle, Toy, and/or Replicas Thereof”;

Application Ser. No. 29/605,298, filed herewith and entitled “Headlight for a Vehicle”; and

Application Ser. No. 29/605,299, filed herewith and entitled “Headlight for a Vehicle”.

FIG. 1 is a front view of a headlight for a vehicle according to the design;

FIG. 2 is a right perspective view thereof;

FIG. 3 is a left perspective view thereof;

FIG. 4 is a right side view thereof;

FIG. 5 is a left side view thereof;

FIG. 6 is a top view thereof;

FIG. 7 is a bottom view thereof; and,

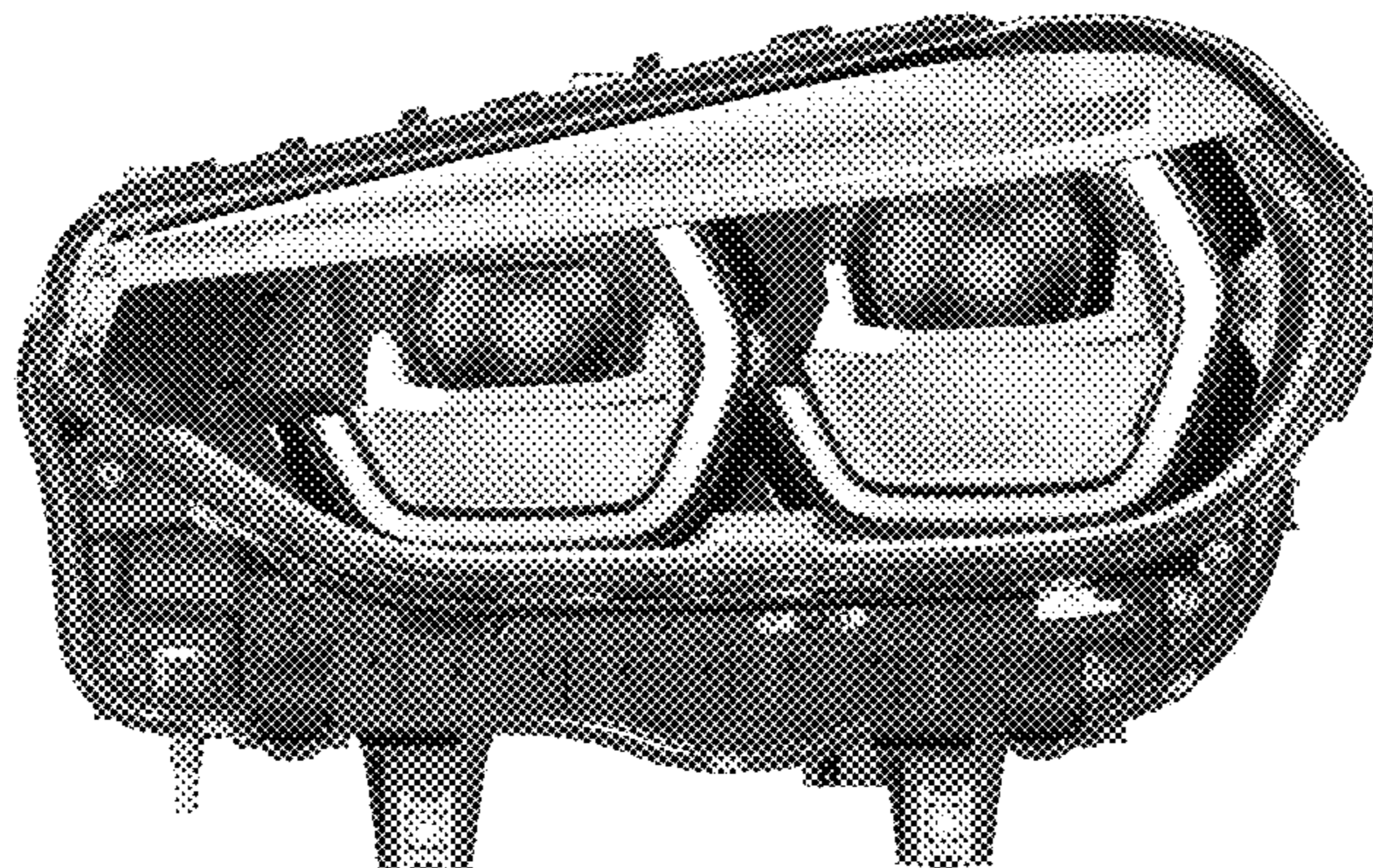
FIG. 8 is a rear view thereof.

(56) **References Cited**

U.S. PATENT DOCUMENTS

D528,231 S * 9/2006 Ikeda D26/28
D529,208 S * 9/2006 Ikeda D26/28
D544,614 S * 6/2007 Markefka D26/28
D545,980 S * 7/2007 Platto D26/28
D658,321 S * 4/2012 Takeda D26/28
D667,153 S 9/2012 Huet
D674,940 S * 1/2013 Lai D26/28

1 Claim, 8 Drawing Sheets



(56)

References Cited

U.S. PATENT DOCUMENTS

D706,471 S * 6/2014 Lai D26/28
 D707,865 S * 6/2014 Yoshida D26/28
 D718,893 S * 12/2014 Lai D26/28
 D720,870 S * 1/2015 Lim D26/28
 D721,450 S * 1/2015 Lai D26/28
 D739,578 S * 9/2015 Han D26/28
 D742,045 S * 10/2015 Futschik D26/28
 D746,495 S * 12/2015 Gorsten Schuenemann .. D26/28
 D747,821 S * 1/2016 Yoshida D26/28
 D761,463 S * 7/2016 Lai D26/28
 D761,986 S * 7/2016 Obatake D26/28
 D762,894 S * 8/2016 Luk
 D765,894 S * 9/2016 Lai D26/28
 D769,477 S * 10/2016 Gunnarson D26/28
 D779,090 S * 2/2017 Giolito D26/28
 9,676,320 B2 * 6/2017 Lyon B60Q 1/0035
 D796,715 S * 9/2017 Lin D26/28
 D797,332 S * 9/2017 Lin D26/28
 D801,564 S * 10/2017 Nakamura D26/28
 D801,567 S * 10/2017 Oh D26/28

D802,181 S * 11/2017 Cartabiano D26/28
 D803,433 S * 11/2017 Yang D26/28
 D806,285 S * 12/2017 Kawakami D26/28
 D806,286 S * 12/2017 Kawakami D26/28
 D828,589 S * 9/2018 Hannemann D26/28
 D828,590 S * 9/2018 Hannemann D26/28
 D829,947 S * 10/2018 Jung D26/28
 D829,948 S * 10/2018 Jung D26/28
 D829,949 S * 10/2018 Jung D26/28
 2014/0192548 A1 * 7/2014 Kracker F21S 48/1159
 362/538

FOREIGN PATENT DOCUMENTS

WO DM/076869 3/2012
 WO DM/078972 2/2013
 WO DM/079708 6/2013
 WO DM/080343 8/2013
 WO DM/088023 4/2016
 WO DM/094975 2/2017
 WO DM/092771 3/2017

* cited by examiner

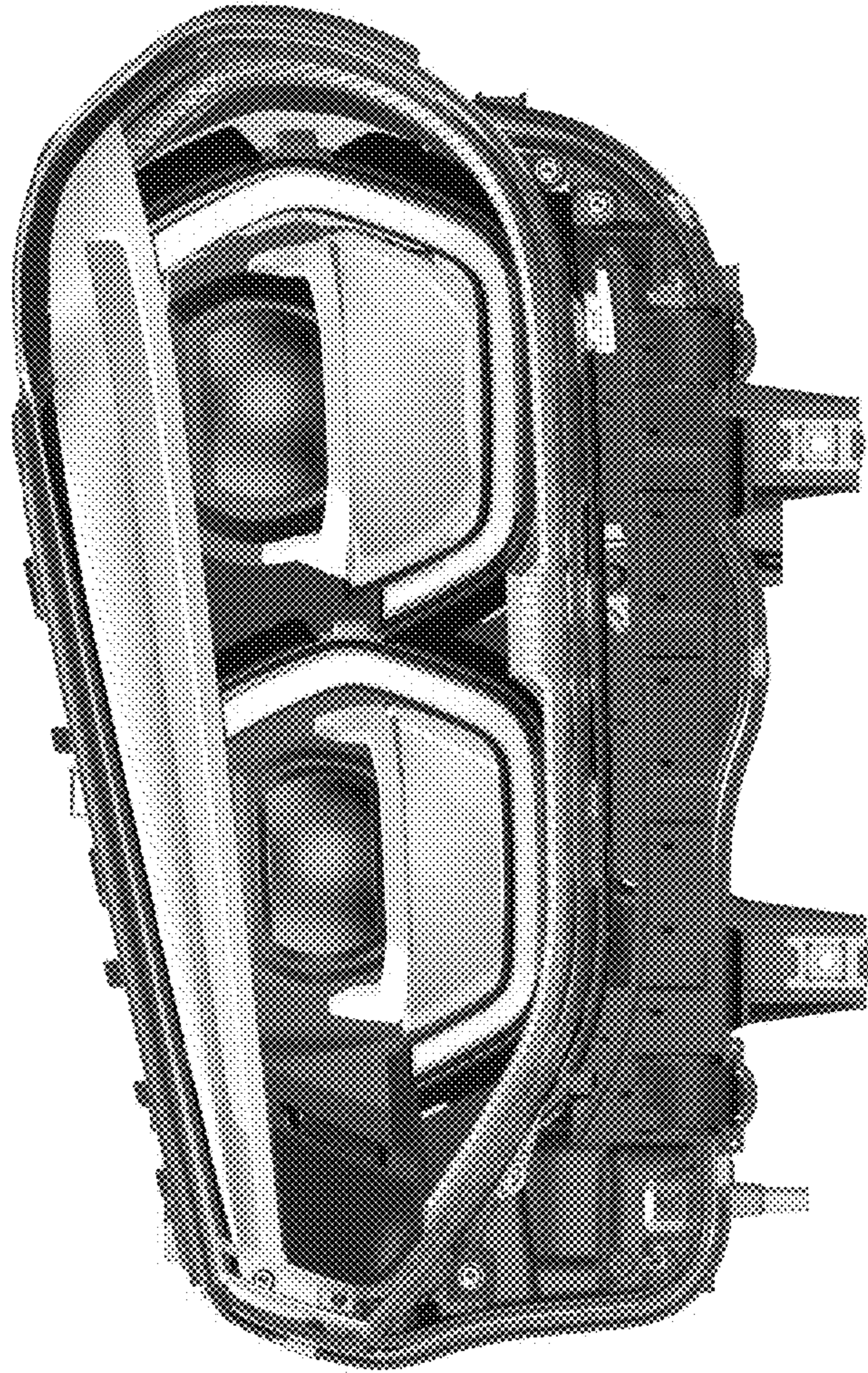


Fig. 1

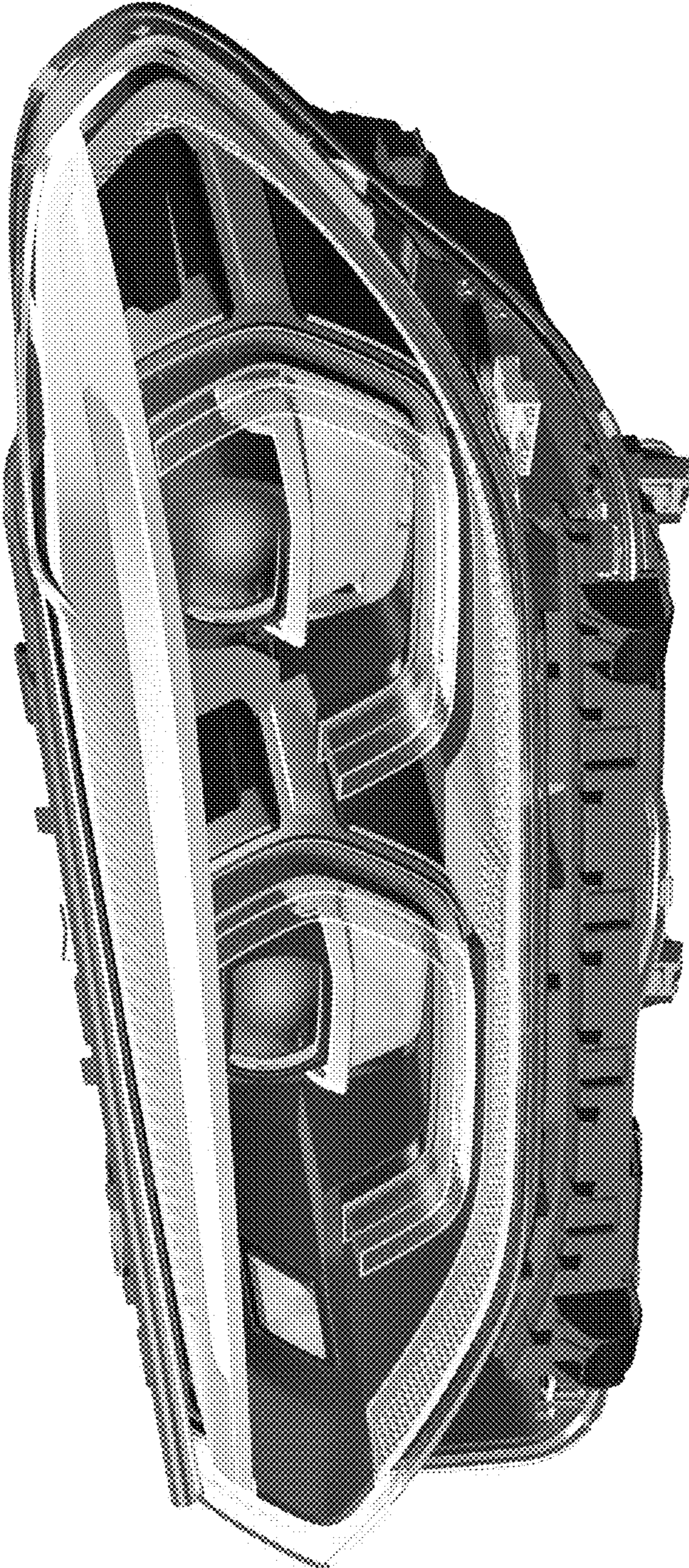


Fig. 2

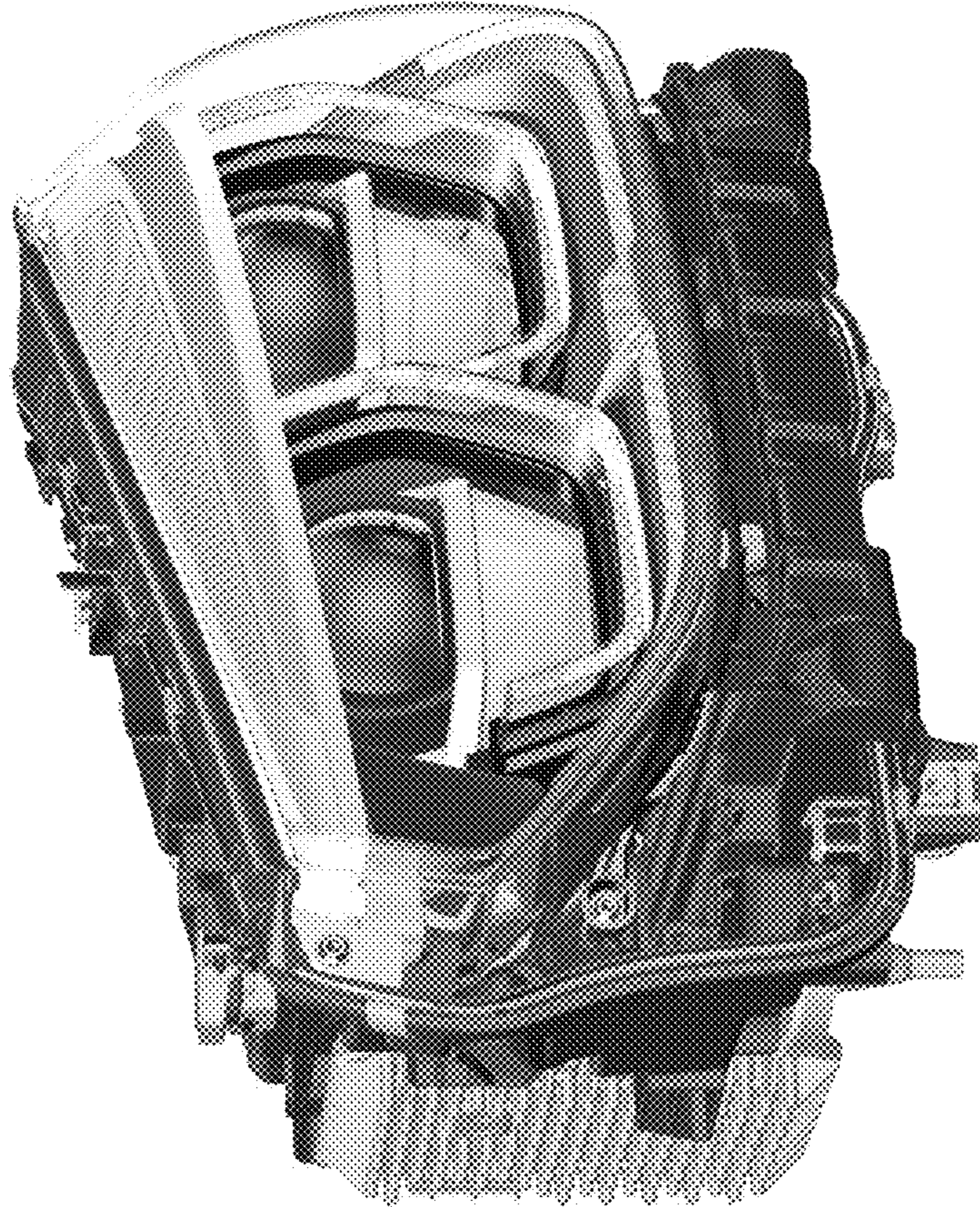


Fig. 3

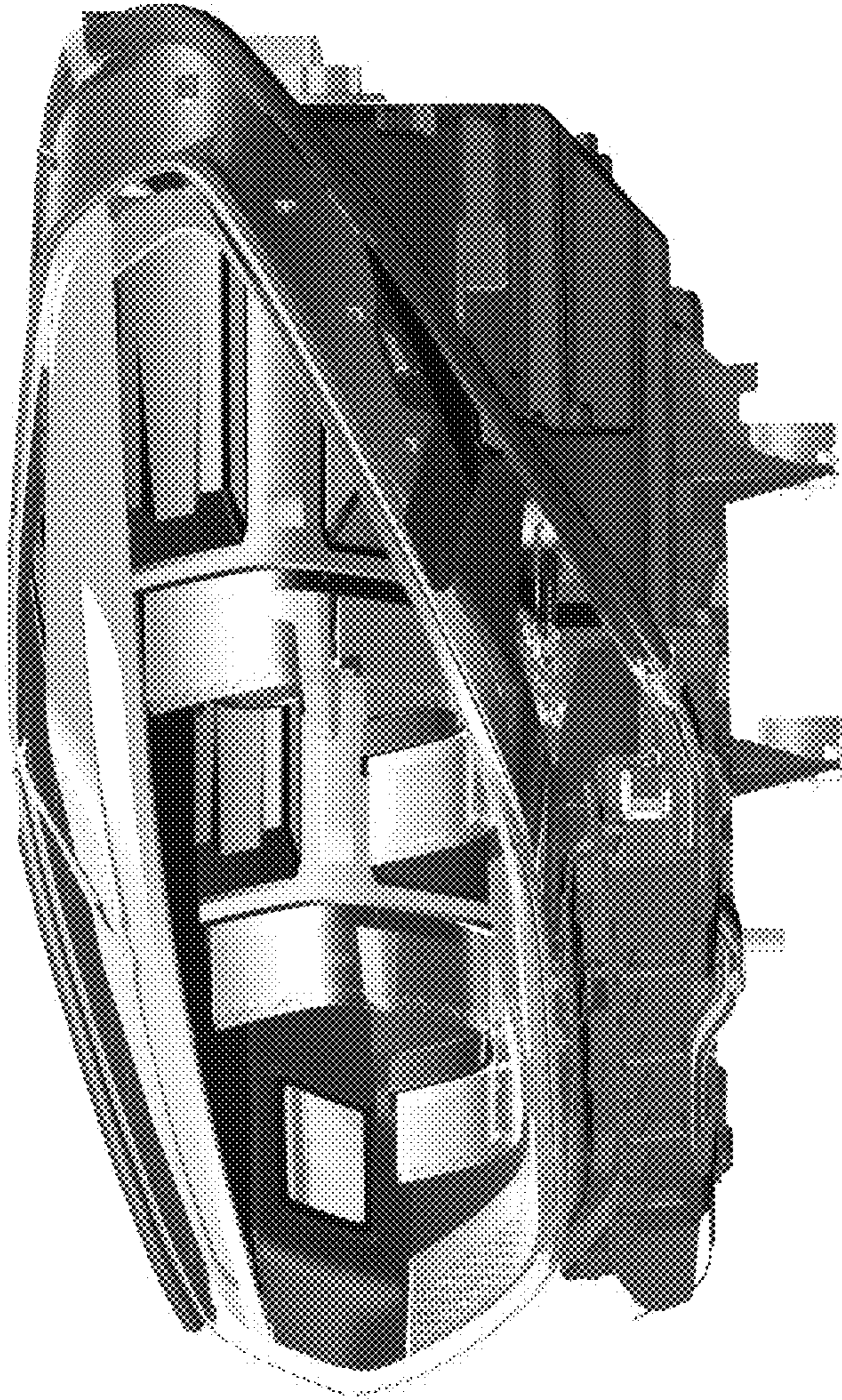


Fig. 4

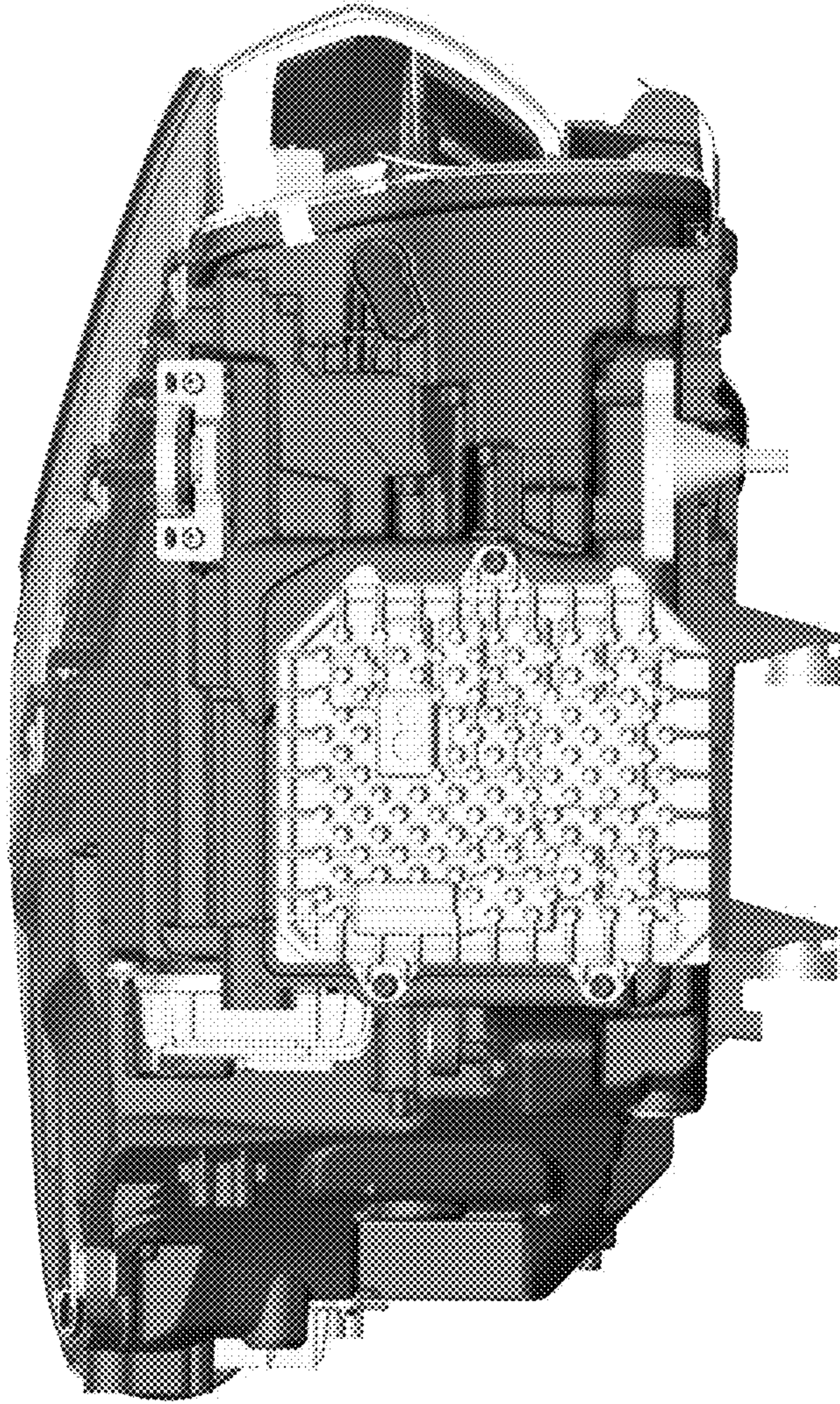


Fig. 5

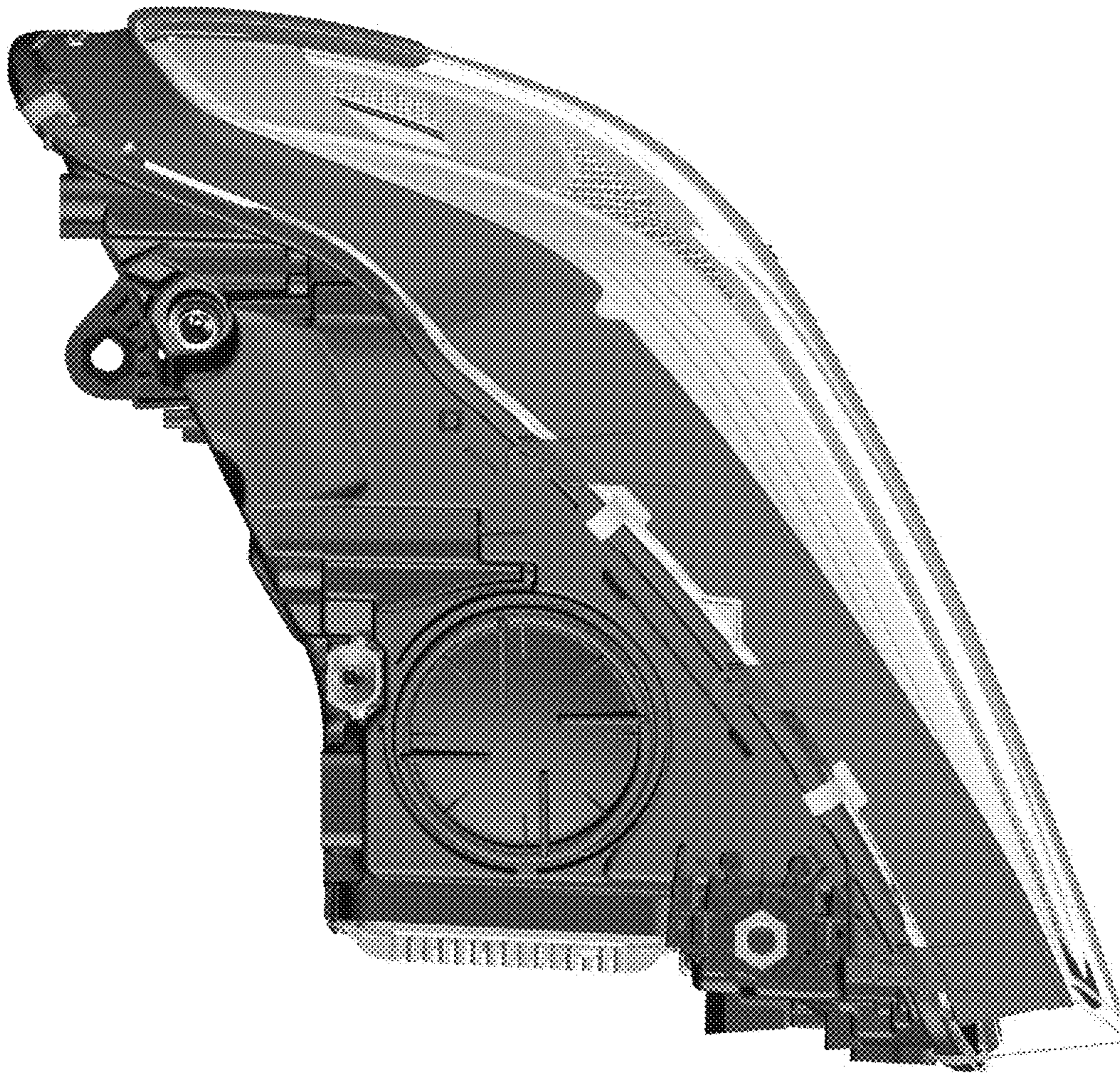


Fig. 6

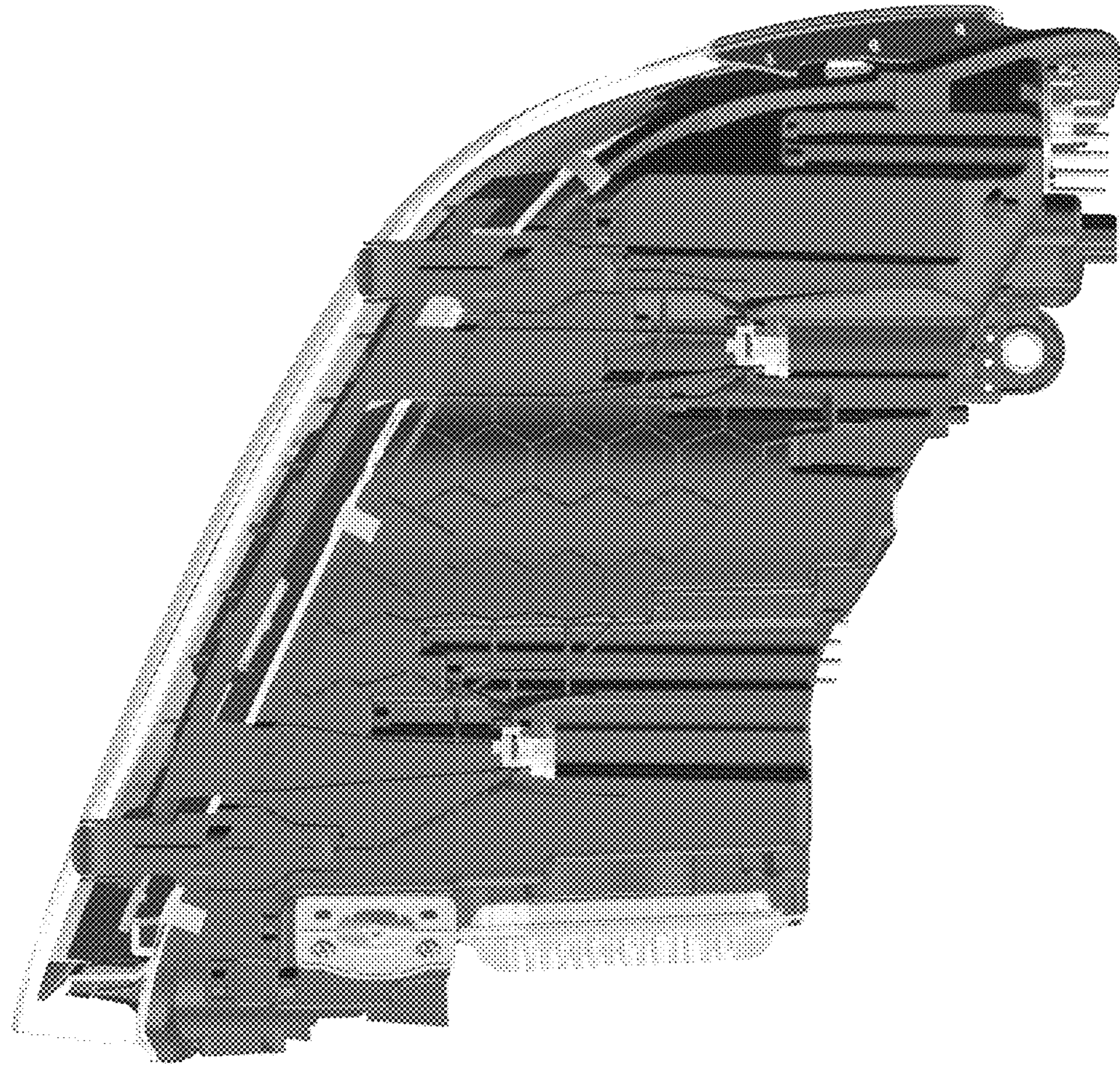


Fig. 7

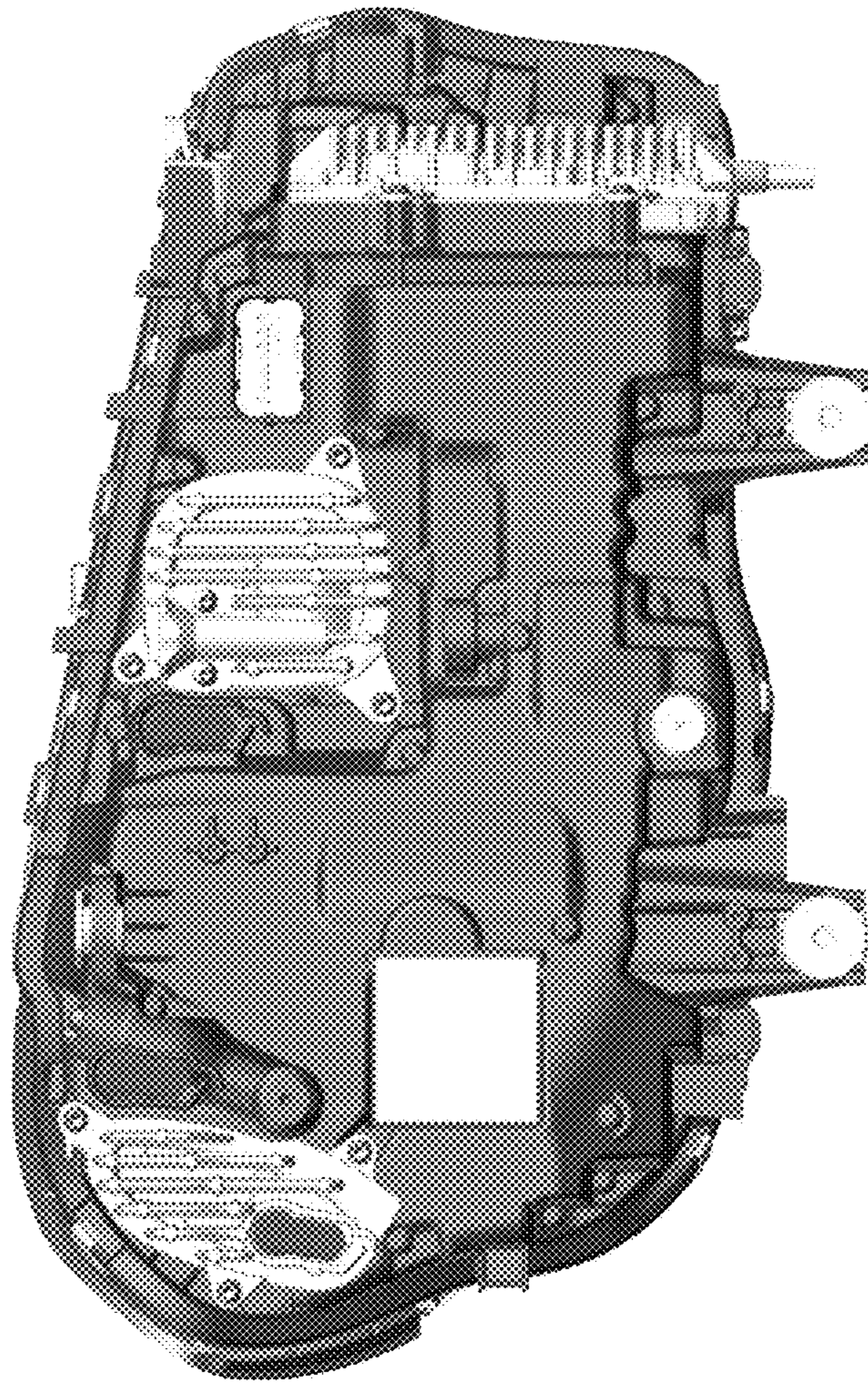


Fig. 8