



US00D844183S

(12) **United States Design Patent**  
**Nakanishi**

(10) **Patent No.:** **US D844,183 S**

(45) **Date of Patent:** **\*\* Mar. 26, 2019**

(54) **LIGHT EMITTING DIODE**

(71) Applicants: **CITIZEN ELECTRONICS CO., LTD.**, Fujiyoshida-shi, Yamanashi (JP); **CITIZEN WATCH CO., LTD.**, Tokyo (JP)

(72) Inventor: **Yasuo Nakanishi**, Yamanashi (JP)

(73) Assignees: **CITIZEN ELECTRONICS CO., LTD.**, Yamanashi (JP); **CITIZEN WATCH CO., LTD.**, Tokyo (JP)

(\*\*) Term: **15 Years**

(21) Appl. No.: **29/594,659**

(22) Filed: **Feb. 21, 2017**

(30) **Foreign Application Priority Data**

Aug. 19, 2016 (JP) ..... 2016-017694  
Aug. 19, 2016 (JP) ..... 2016-017695  
Aug. 19, 2016 (JP) ..... 2016-017700

(51) **LOC (11) Cl.** ..... **26-04**

(52) **U.S. Cl.**  
USPC ..... **D26/1; D13/180**

(58) **Field of Classification Search**  
USPC ..... **D26/1; D13/180**

(Continued)

(56) **References Cited**

**U.S. PATENT DOCUMENTS**

D615,504 S 5/2010 Keller et al.  
D634,863 S \* 3/2011 Leung ..... D26/1  
(Continued)

**FOREIGN PATENT DOCUMENTS**

JP D1460431 1/2013  
KR 30-0604101 7/2011  
KR 30-0703807 8/2013

**OTHER PUBLICATIONS**

OSRAM, Opto Semiconductors, OSRON Black Series (850 nm)—150, Version 1.5, Jan. 29, 2016, SFH 4716S, 13 pgs., including pp. 1 and 5.

(Continued)

*Primary Examiner* — Marcus A Jackson

(74) *Attorney, Agent, or Firm* — Procopio, Cory, Hargreaves & Savitch LLP

(57) **CLAIM**

The ornamental design for a light emitting diode, as shown and described.

**DESCRIPTION**

FIG. 1 is a perspective view 1 of a light emitting diode showing my new design;  
FIG. 2 is a perspective view 2 thereof;  
FIG. 3 is a top plan view thereof;  
FIG. 4 is a bottom plan view thereof;  
FIG. 5 is a front elevational view thereof;  
FIG. 6 is a rear elevational view thereof;  
FIG. 7 is a left side elevational view thereof;  
FIG. 8 is a right side elevational view thereof;  
FIG. 9 is a perspective view of a second embodiment of a light emitting diode showing my new design;  
FIG. 10 is a top plan view thereof;  
FIG. 11 is a bottom plan view thereof;  
FIG. 12 is a front elevational view thereof;  
FIG. 13 is a rear elevational view thereof;  
FIG. 14 is a left side elevational view thereof;  
FIG. 15 is a right side elevational view thereof;  
FIG. 16 is a perspective view 1 of a third embodiment of a light emitting diode showing my new design;  
FIG. 17 is a perspective view 2 thereof;  
FIG. 18 is a top plan view thereof;  
FIG. 19 is a bottom plan view thereof;  
FIG. 20 is a front elevational view thereof;  
FIG. 21 is a rear elevational view thereof;  
FIG. 22 is a left side elevational view thereof; and,

(Continued)

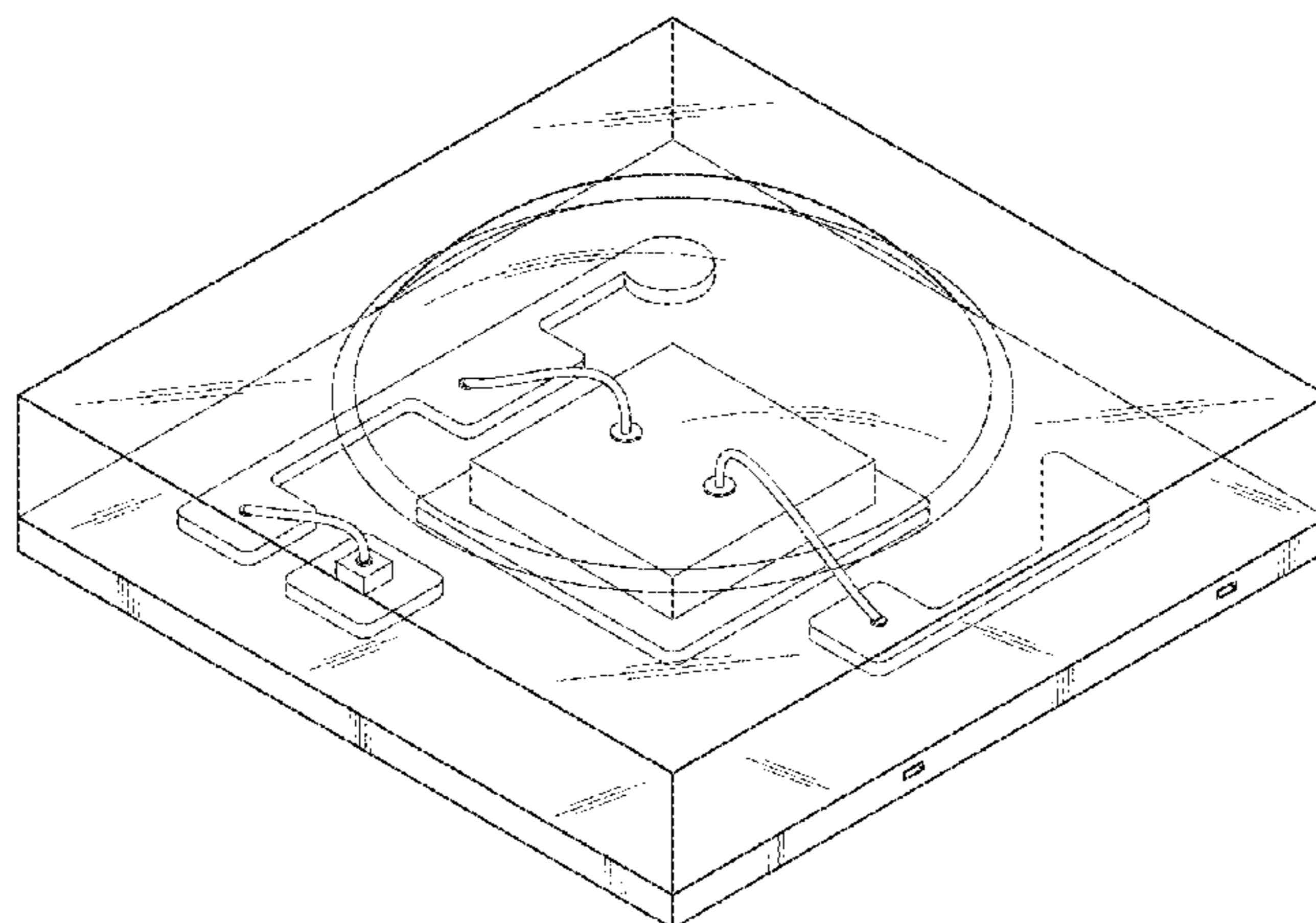


FIG. 23 is a right side elevational view thereof.

**1 Claim, 12 Drawing Sheets**

**(58) Field of Classification Search**

CPC ..... H01L 25/167; H01L 31/02; H01L 33/00;  
H01L 33/04; H01L 33/08; H01L 33/10;  
H01L 33/20; H01L 33/38; H01L 33/42;  
H01L 33/48; H01L 33/62; H01L 33/483;  
H01L 33/486; F21K 9/00; F21K 9/30;  
F21K 9/54; H01R 5/00; H01R 13/46;  
H01R 13/514; H01R 31/048; H01R  
31/02; H01J 5/00; H01J 5/16; H01J  
15/00; H01J 5/48; H01J 5/50; H01J 19/54  
See application file for complete search history.

**(56) References Cited**

**U.S. PATENT DOCUMENTS**

D656,906 S \* 4/2012 Leung ..... D13/180  
D671,661 S \* 11/2012 Leung ..... D26/1

D689,210 S \* 9/2013 Donofrio ..... D13/180  
D691,973 S 10/2013 Donofrio et al.  
D698,741 S 2/2014 Kobayashi et al.  
D709,464 S 7/2014 Abare et al.  
D712,849 S 9/2014 Britt et al.  
D713,804 S 9/2014 Britt et al.  
D741,821 S 10/2015 Song  
D749,051 S 2/2016 Clark et al.  
D753,612 S 4/2016 Hussell et al.

**OTHER PUBLICATIONS**

OSRAM, Opto Semiconductors, OSRON Black Series (940 nm)—  
90, Version 1.5, Jan. 29, 2016, SFH 4725S, 13 pgs., including pp.  
1 and 5.  
JP D1460431 (English language machine translation provided).  
KR 30-0604101 (English language machine translation provided).  
KR 30-0703807 (English language machine translation provided).

\* cited by examiner

FIG. 1

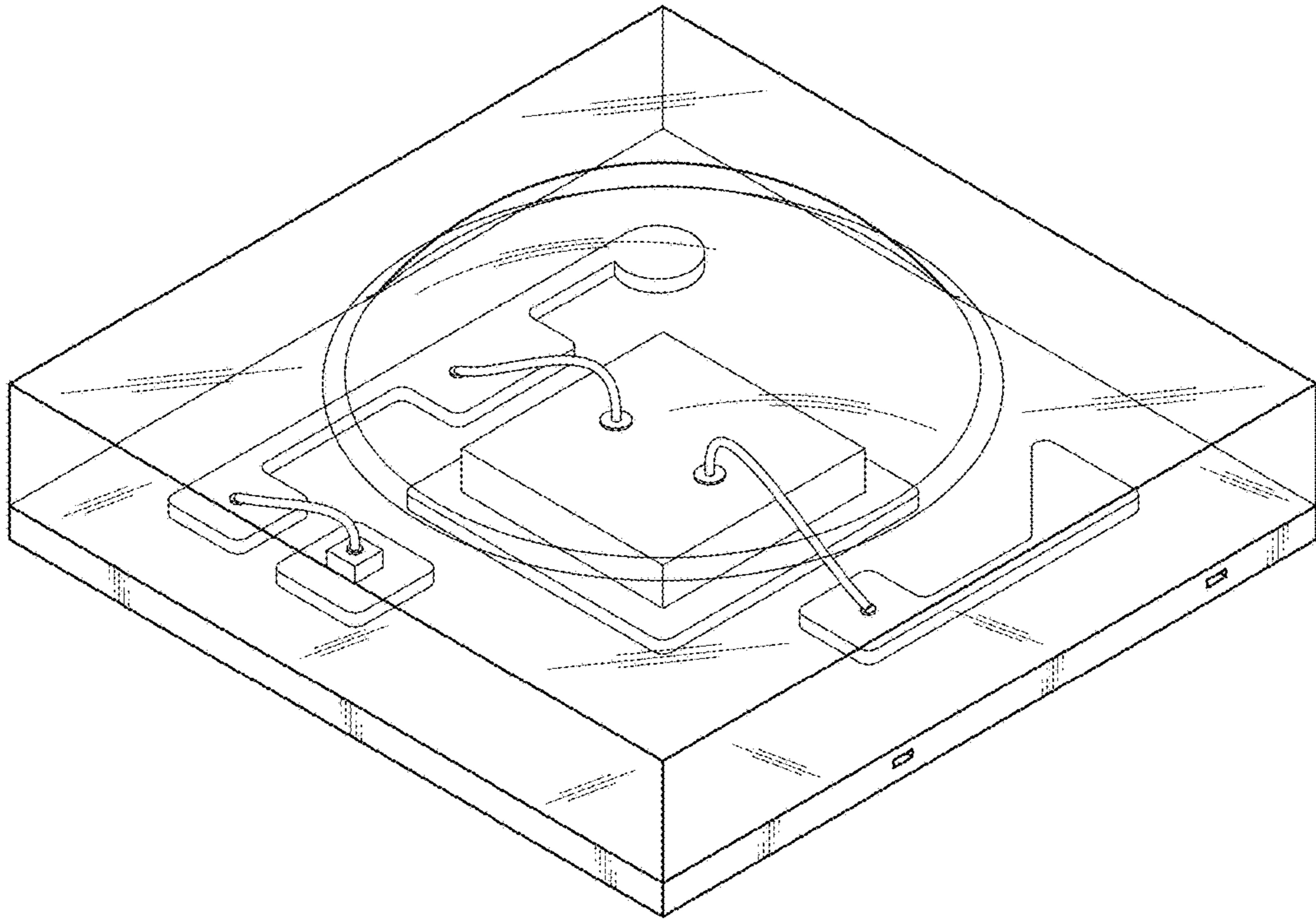


FIG. 2

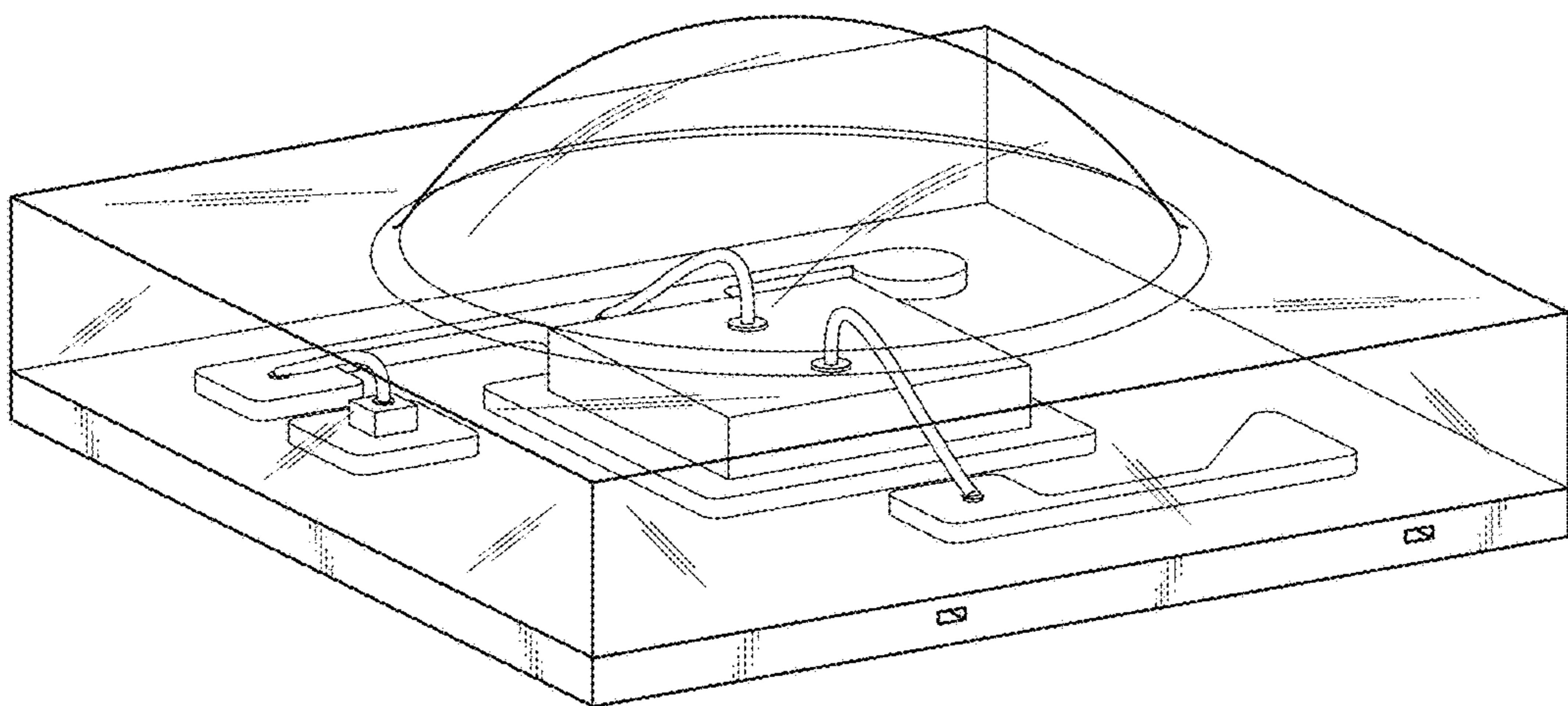


FIG. 3

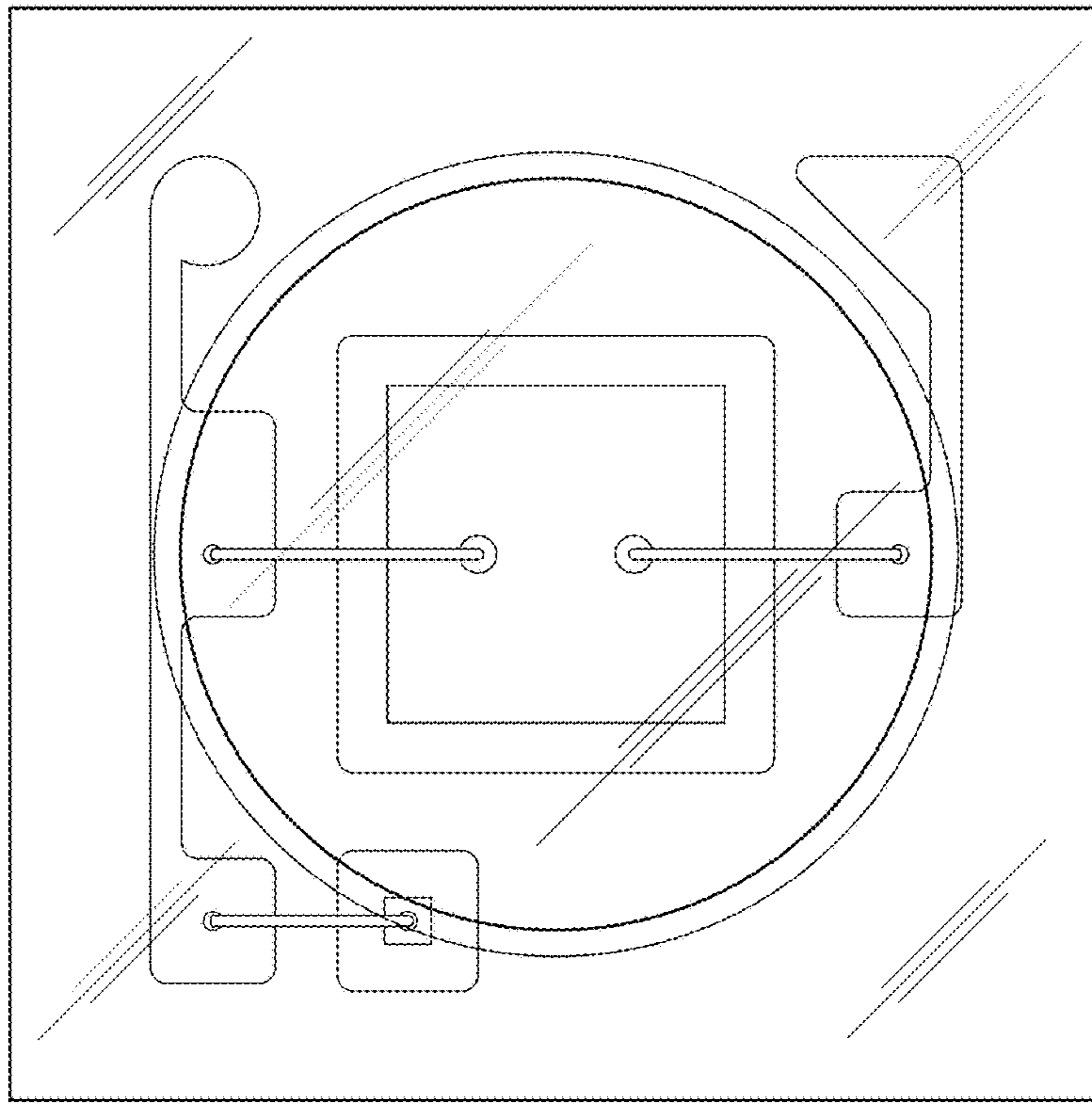


FIG. 4

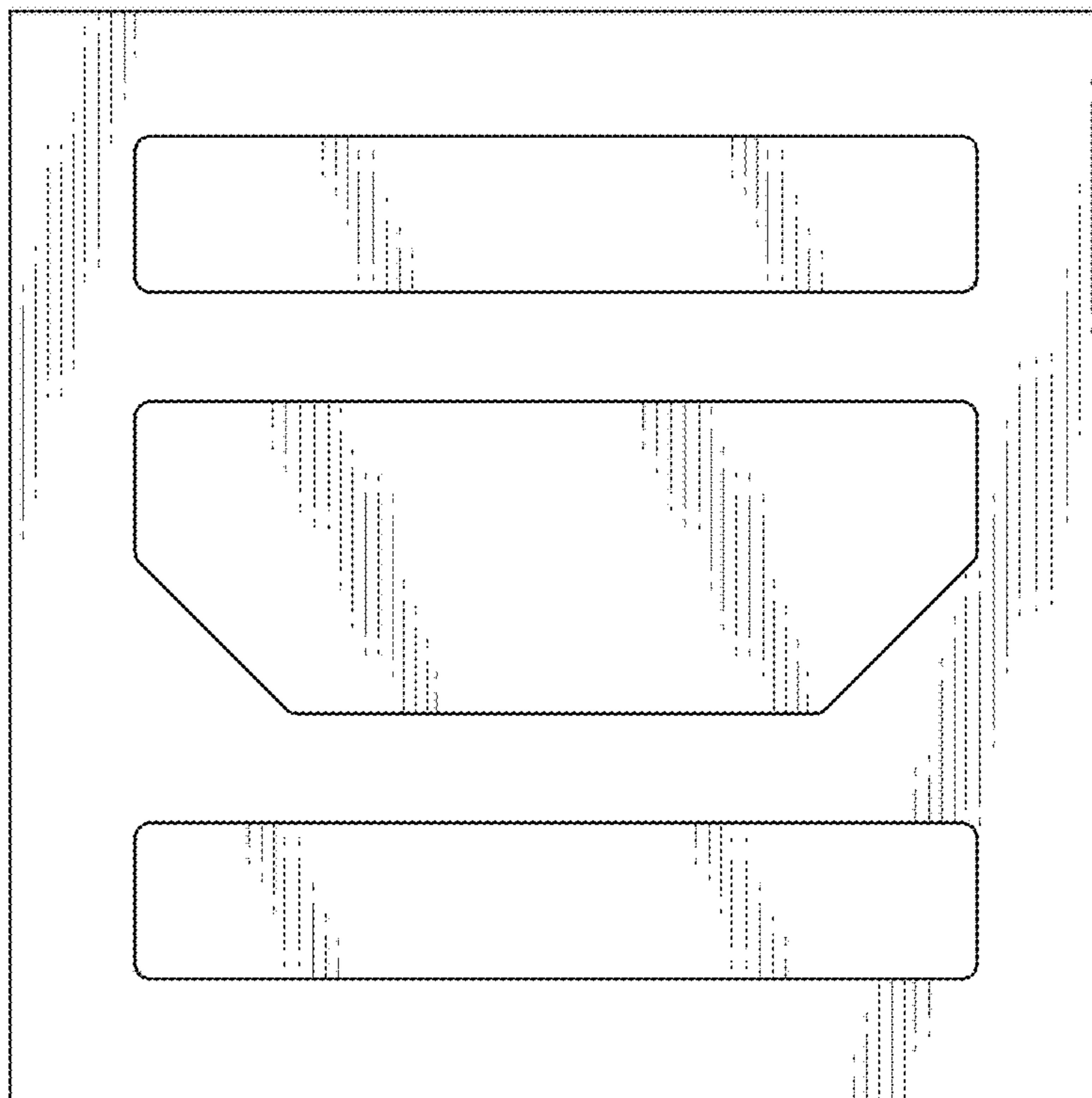


FIG. 5

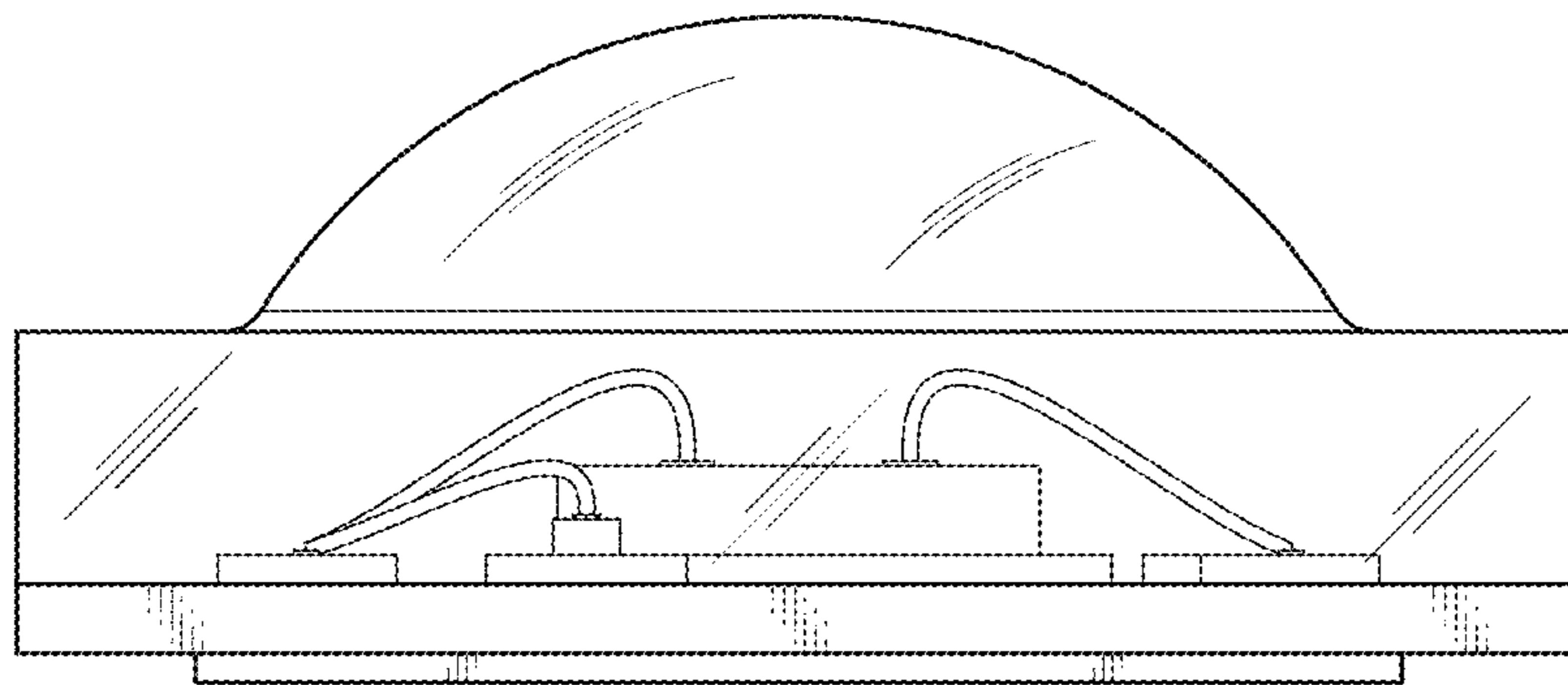


FIG. 6

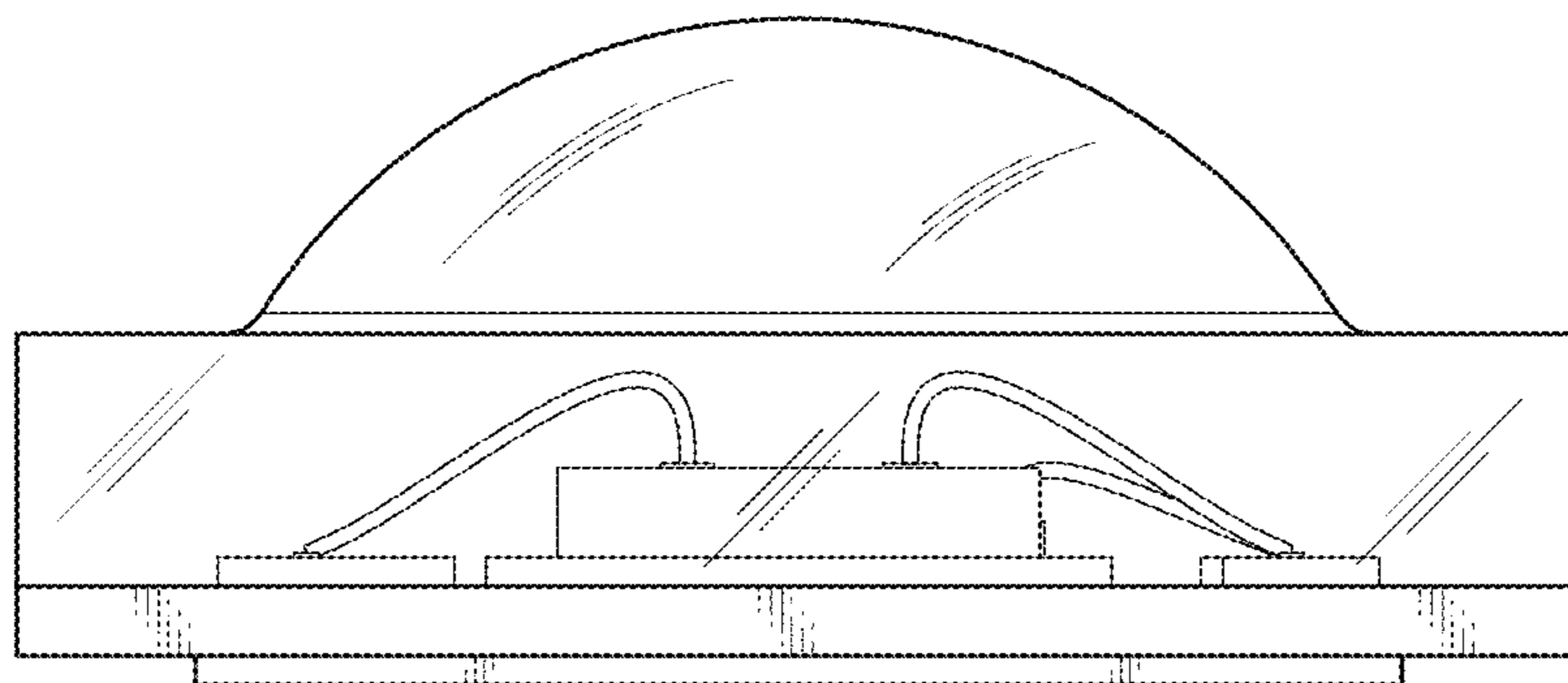


FIG. 7

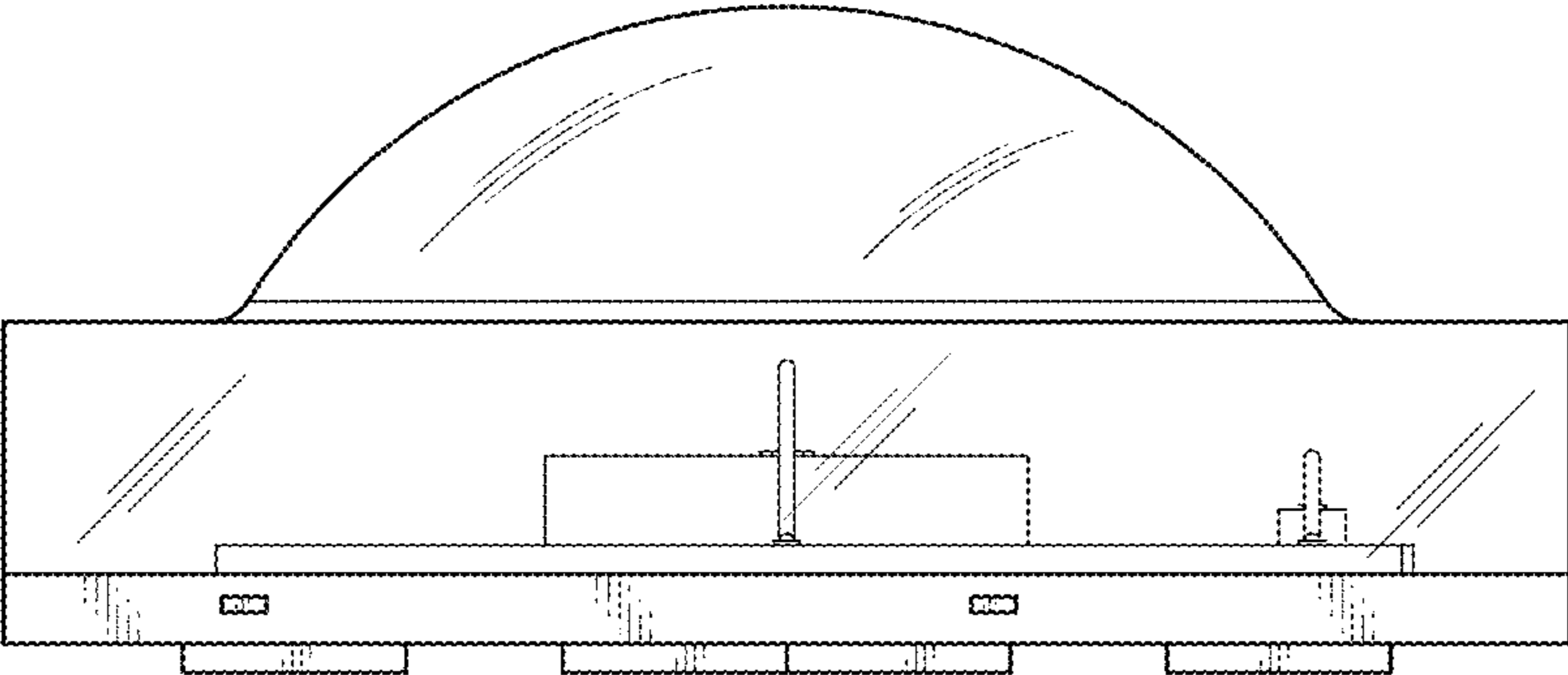


FIG. 8

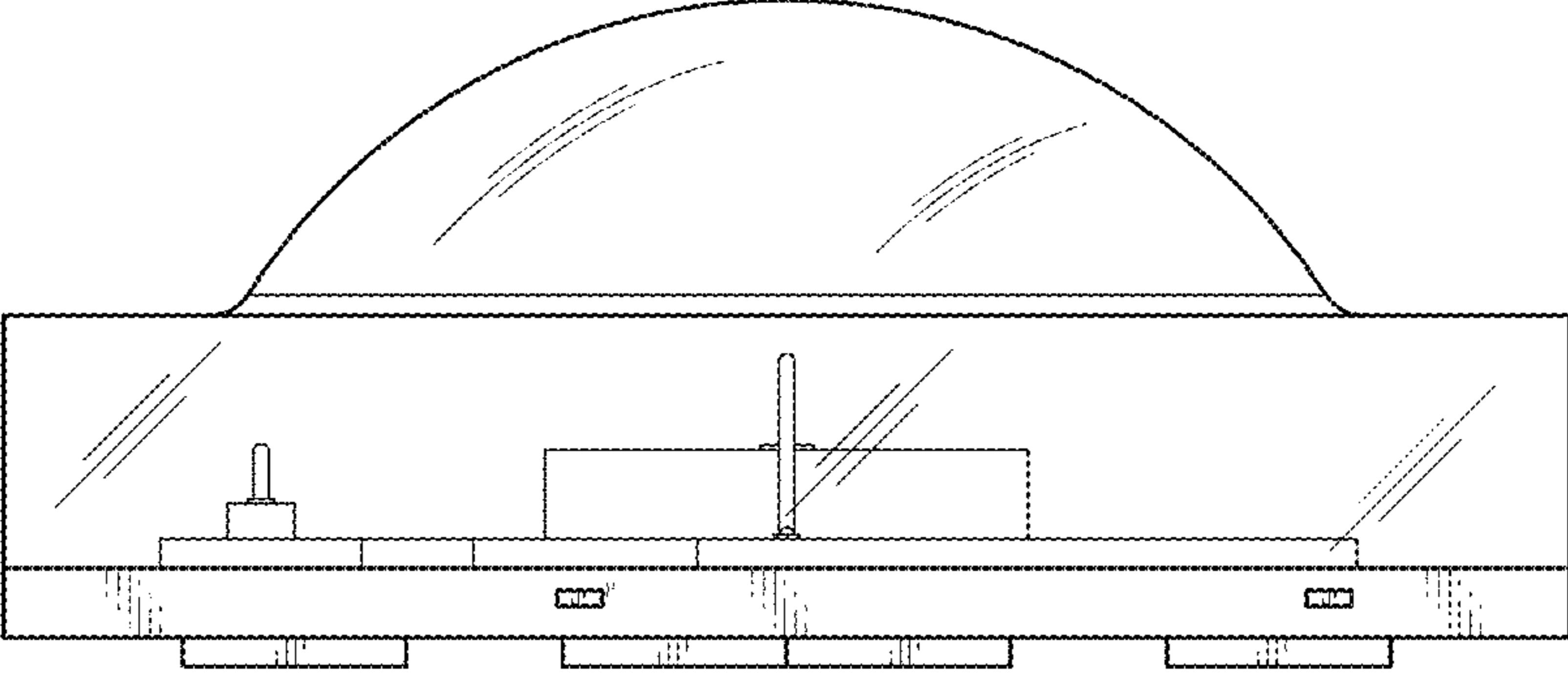


FIG. 9

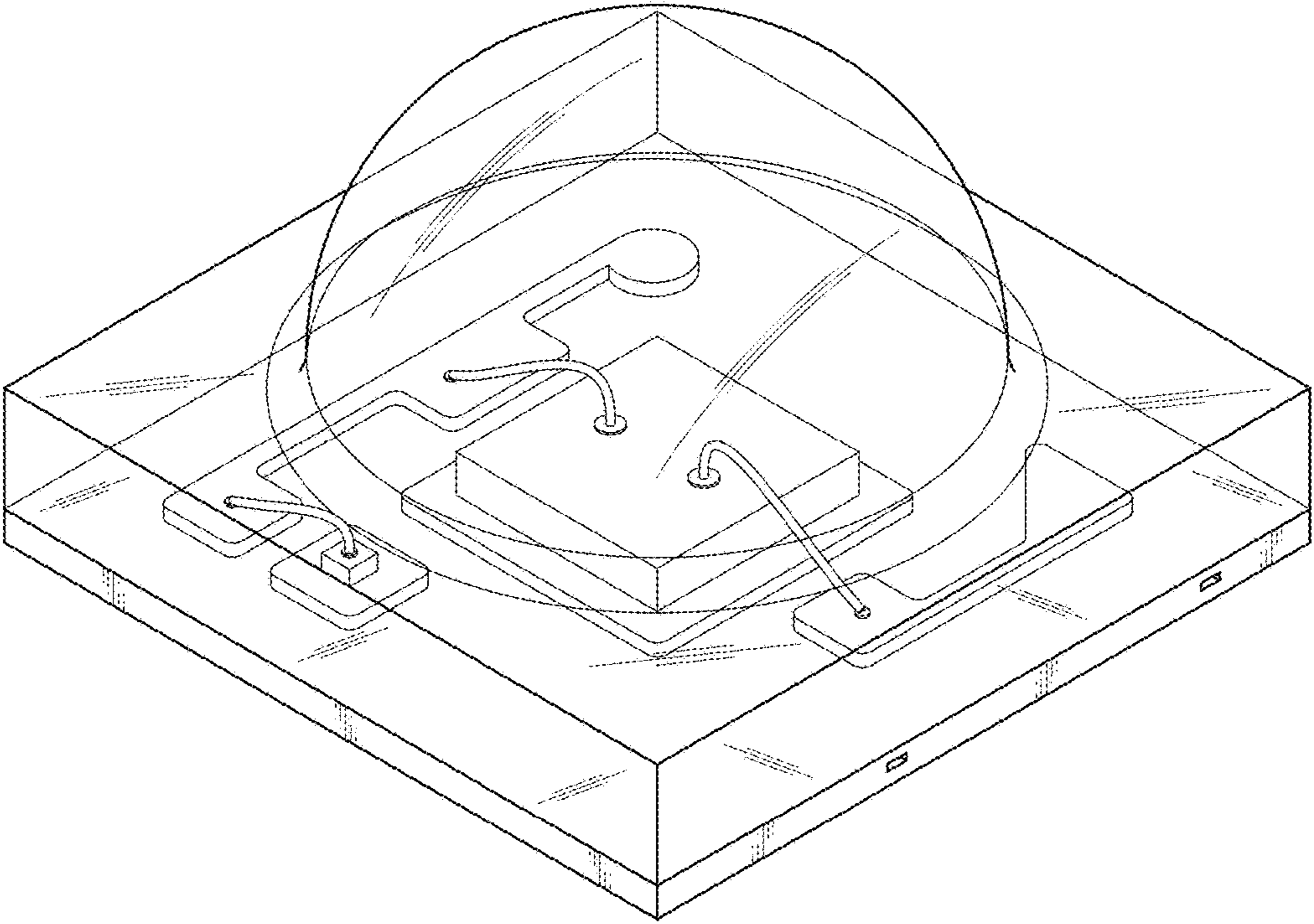


FIG. 10

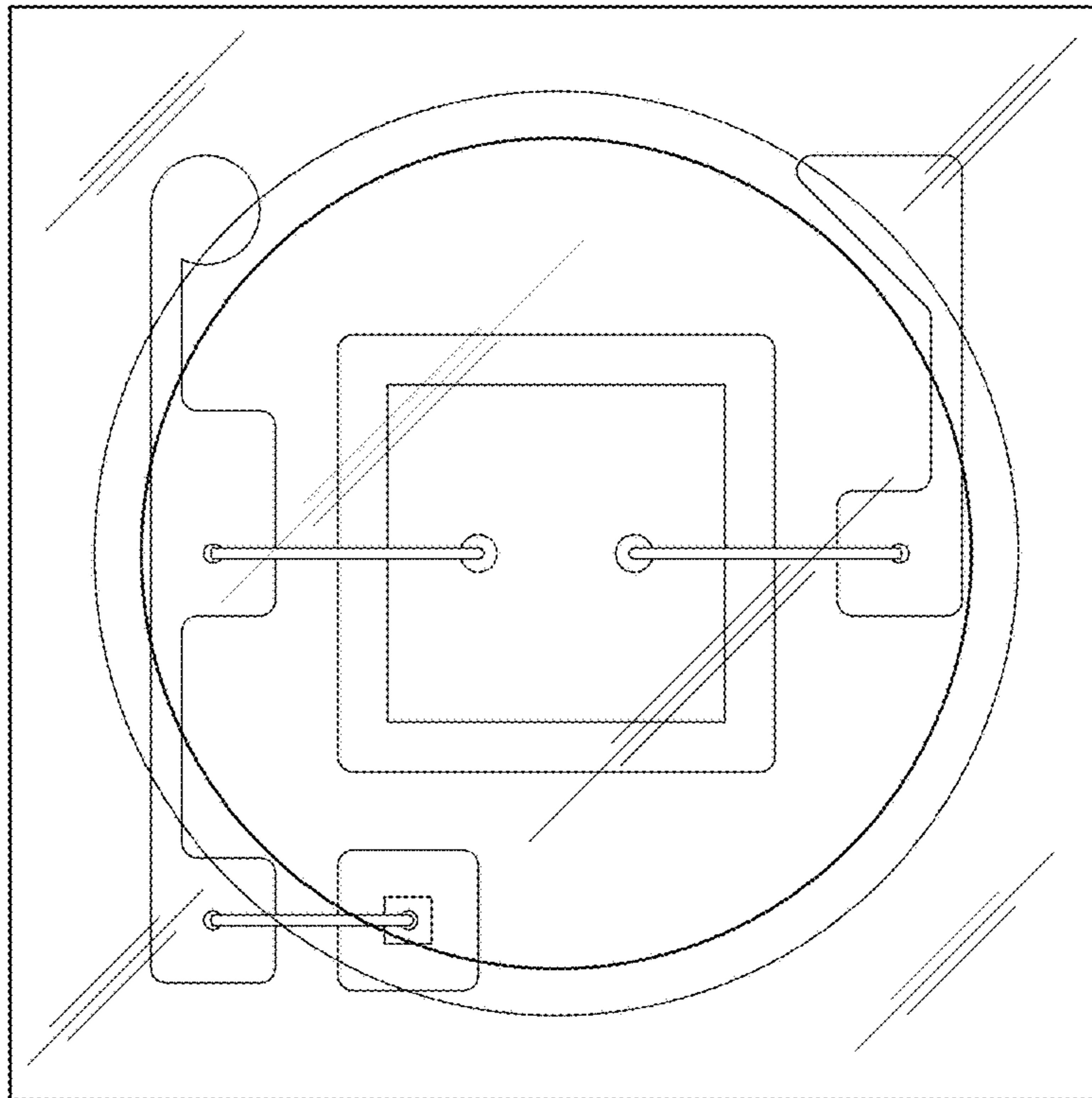


FIG. 11

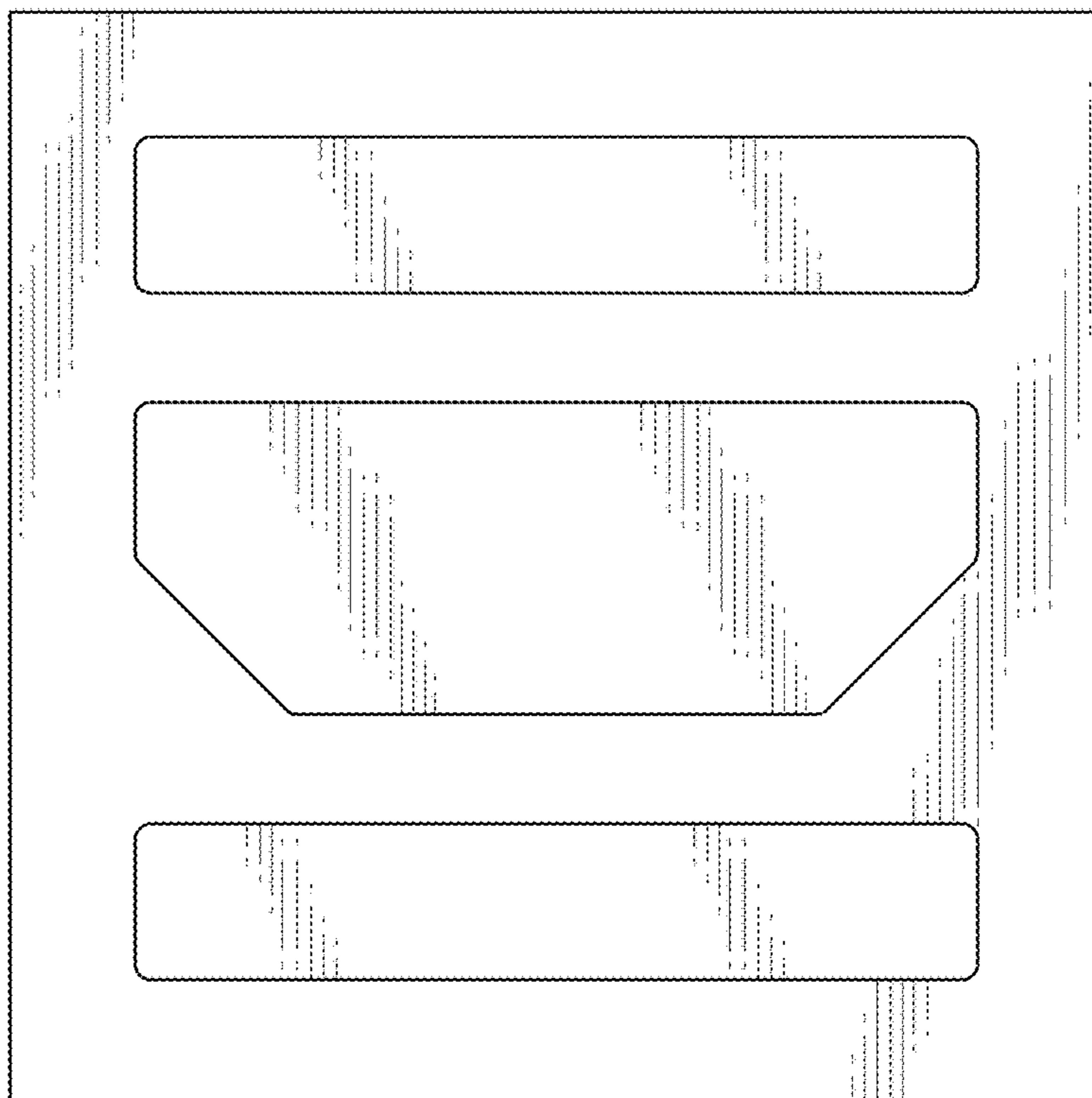




FIG. 12

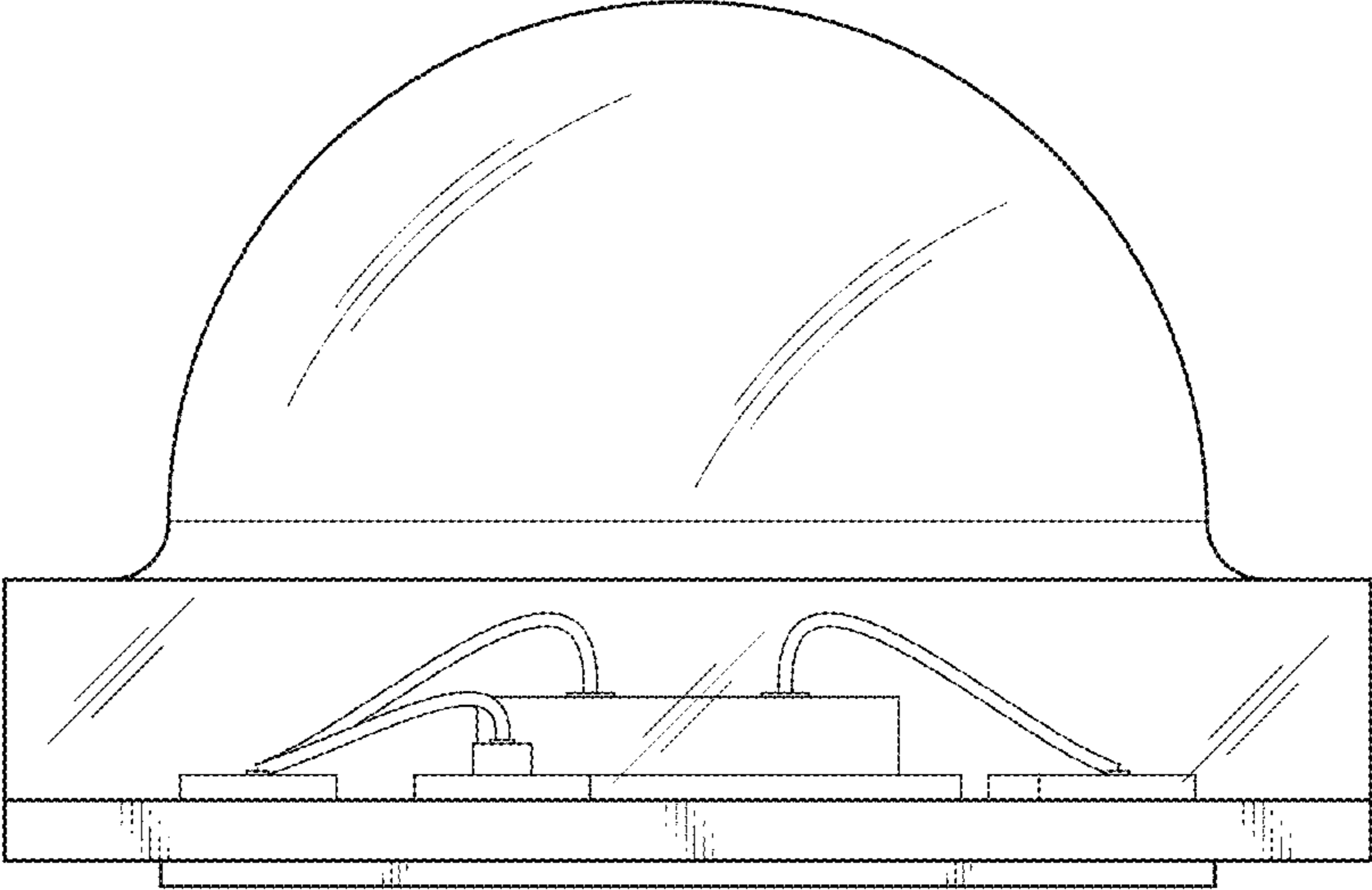


FIG. 13

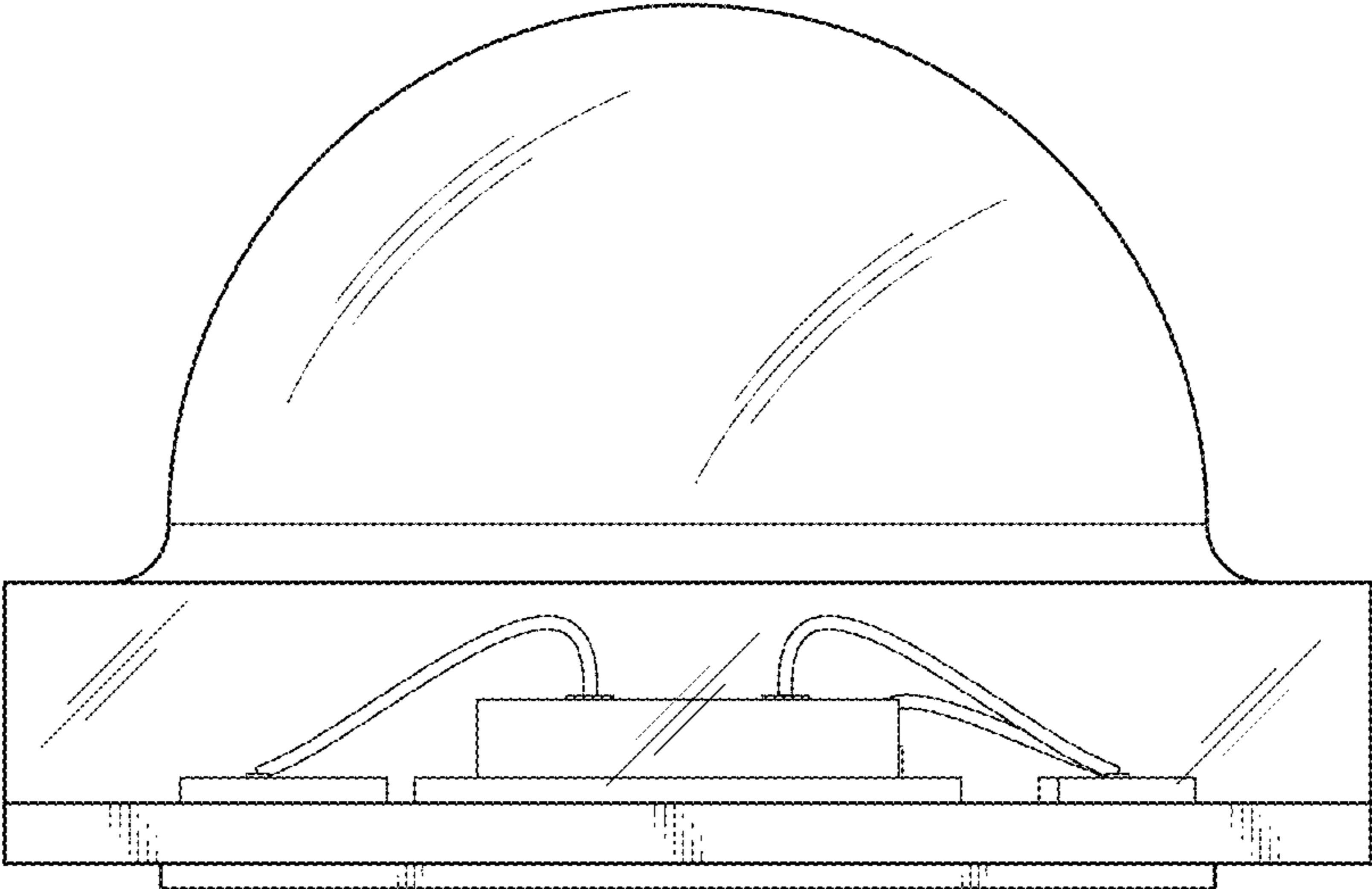


FIG. 14

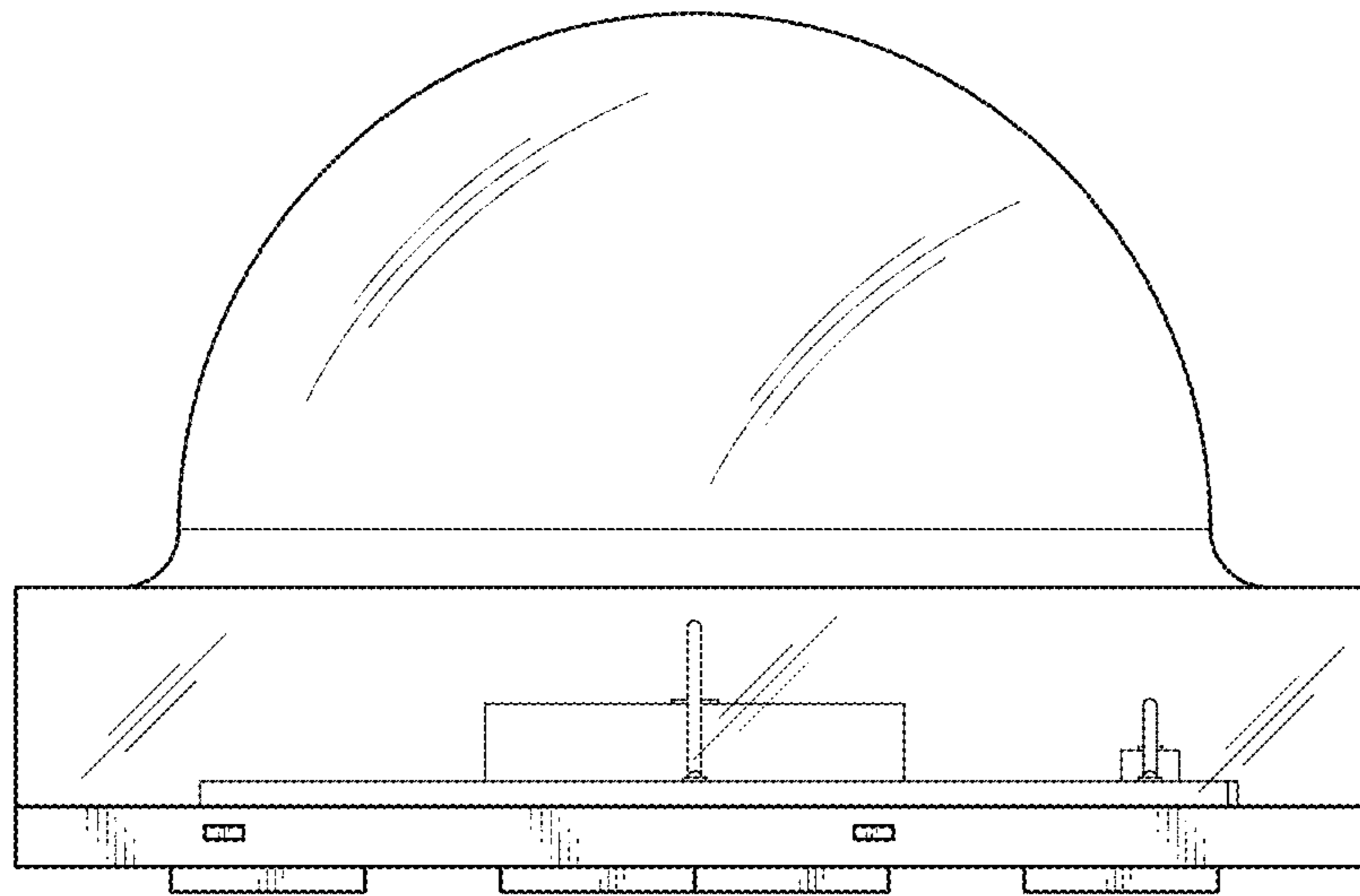


FIG. 15

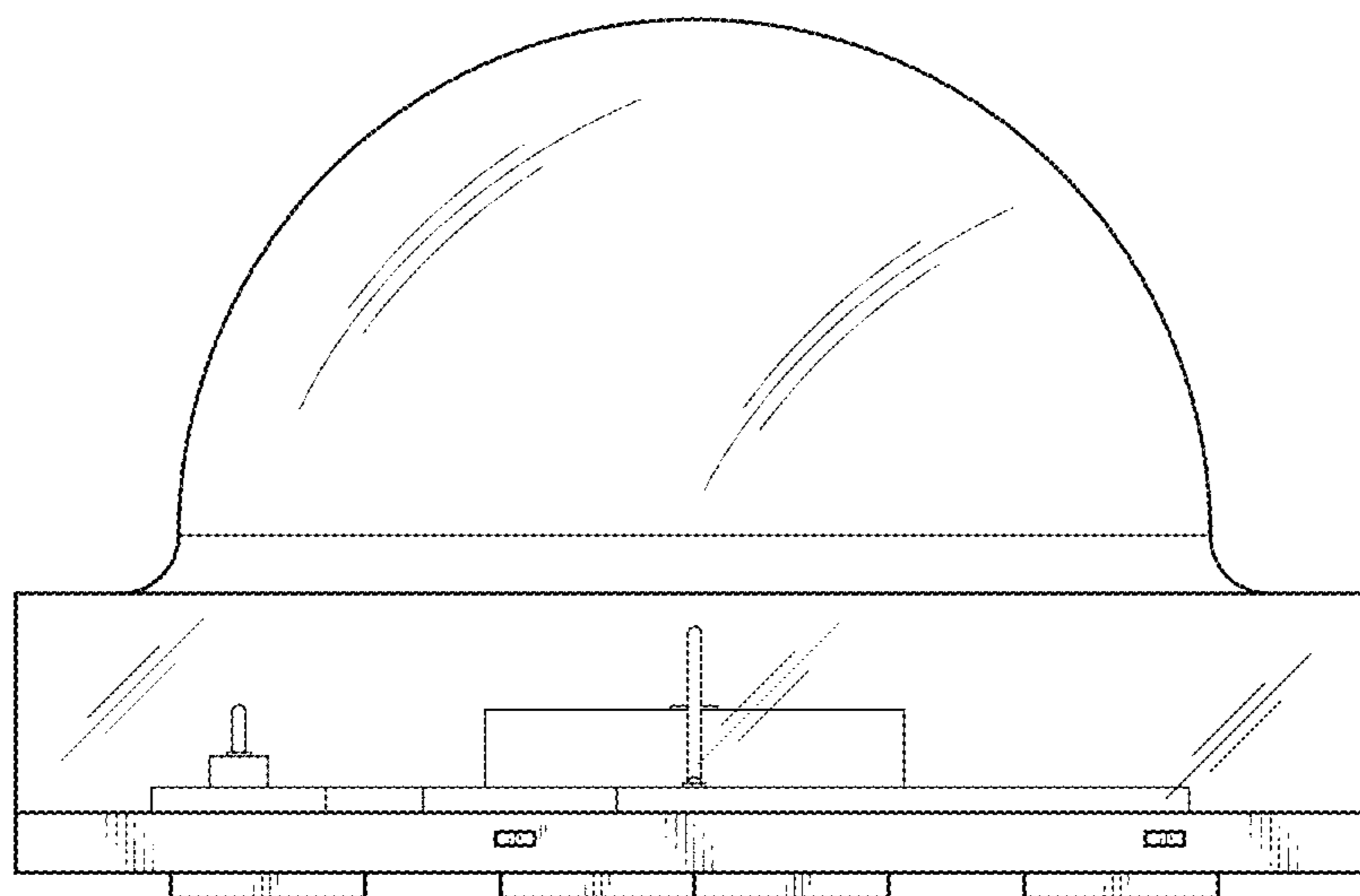


FIG. 16

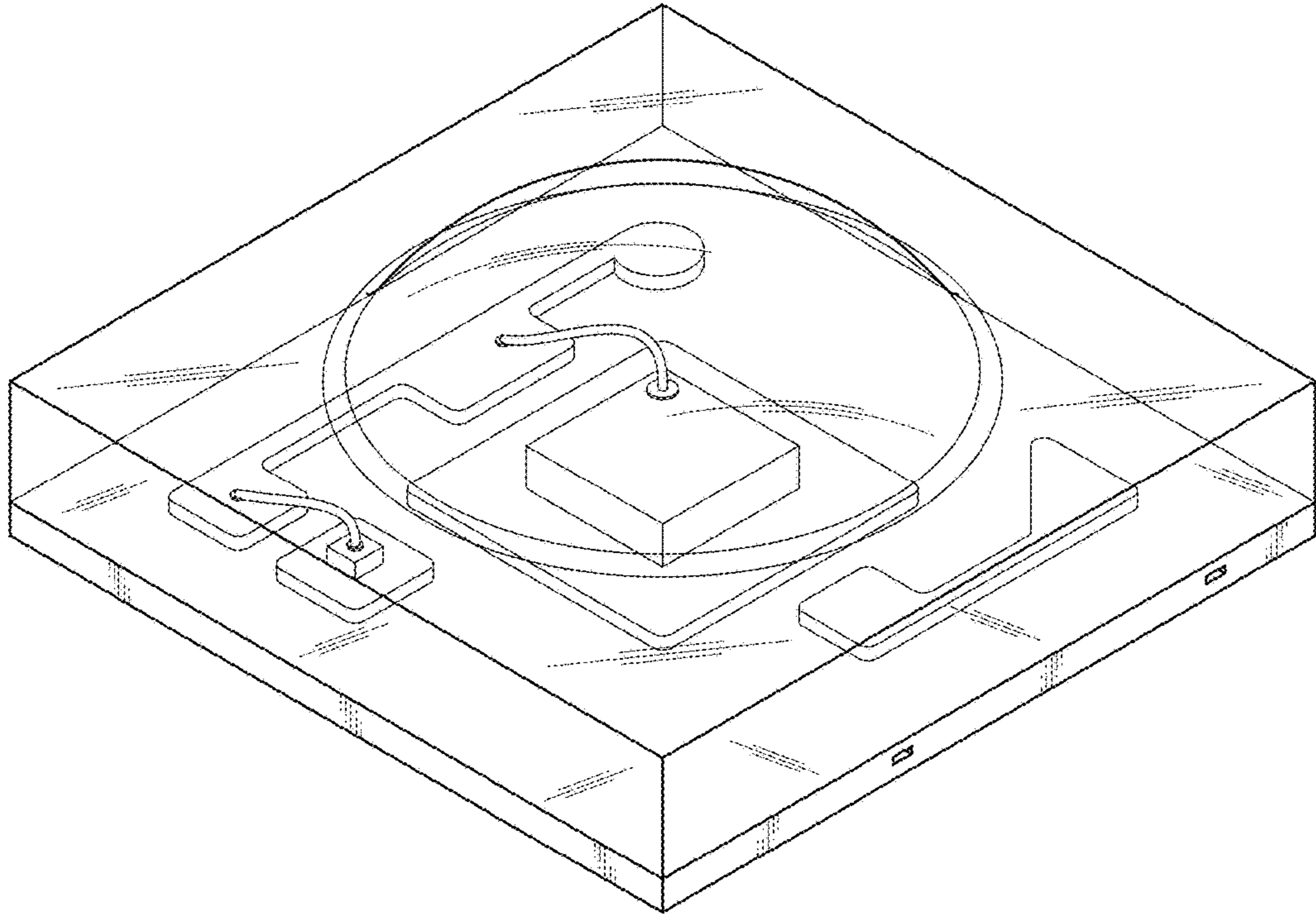


FIG. 17

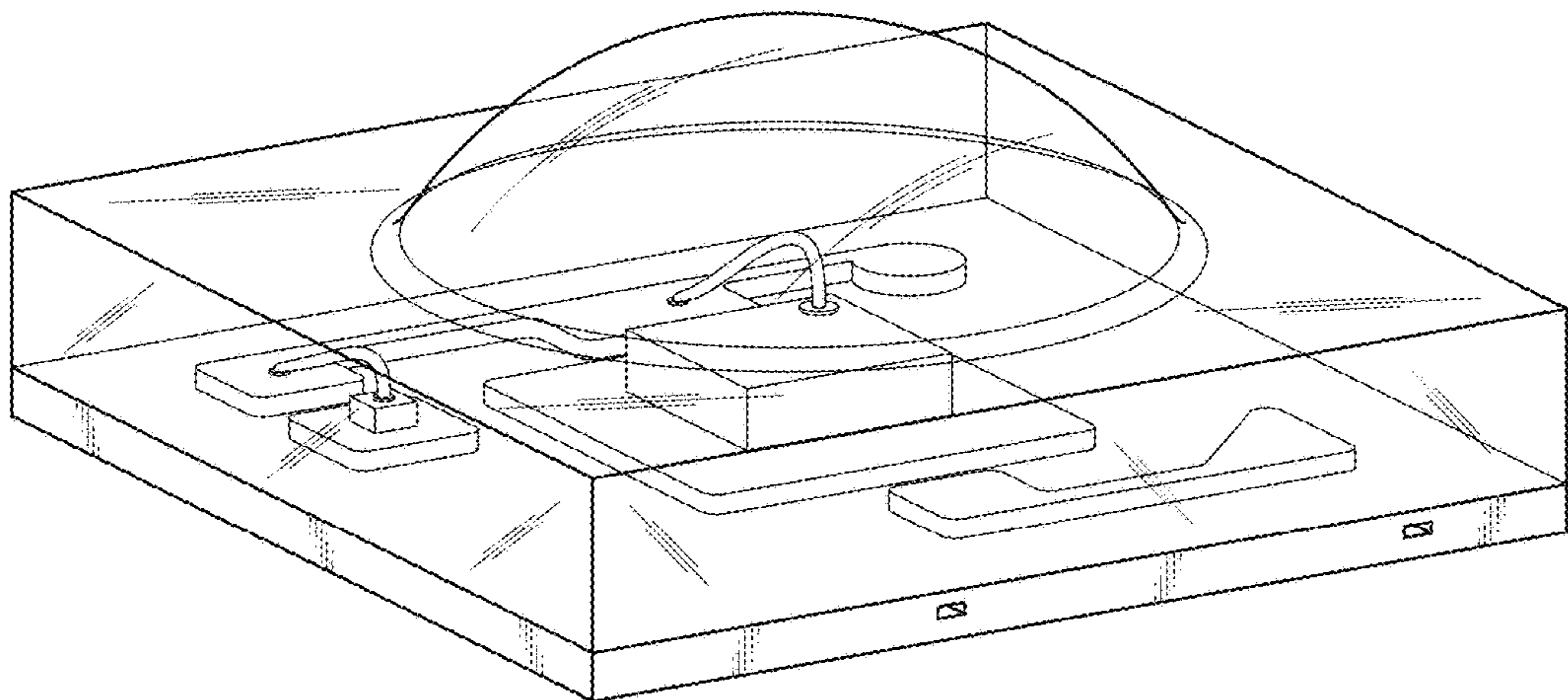


FIG. 18

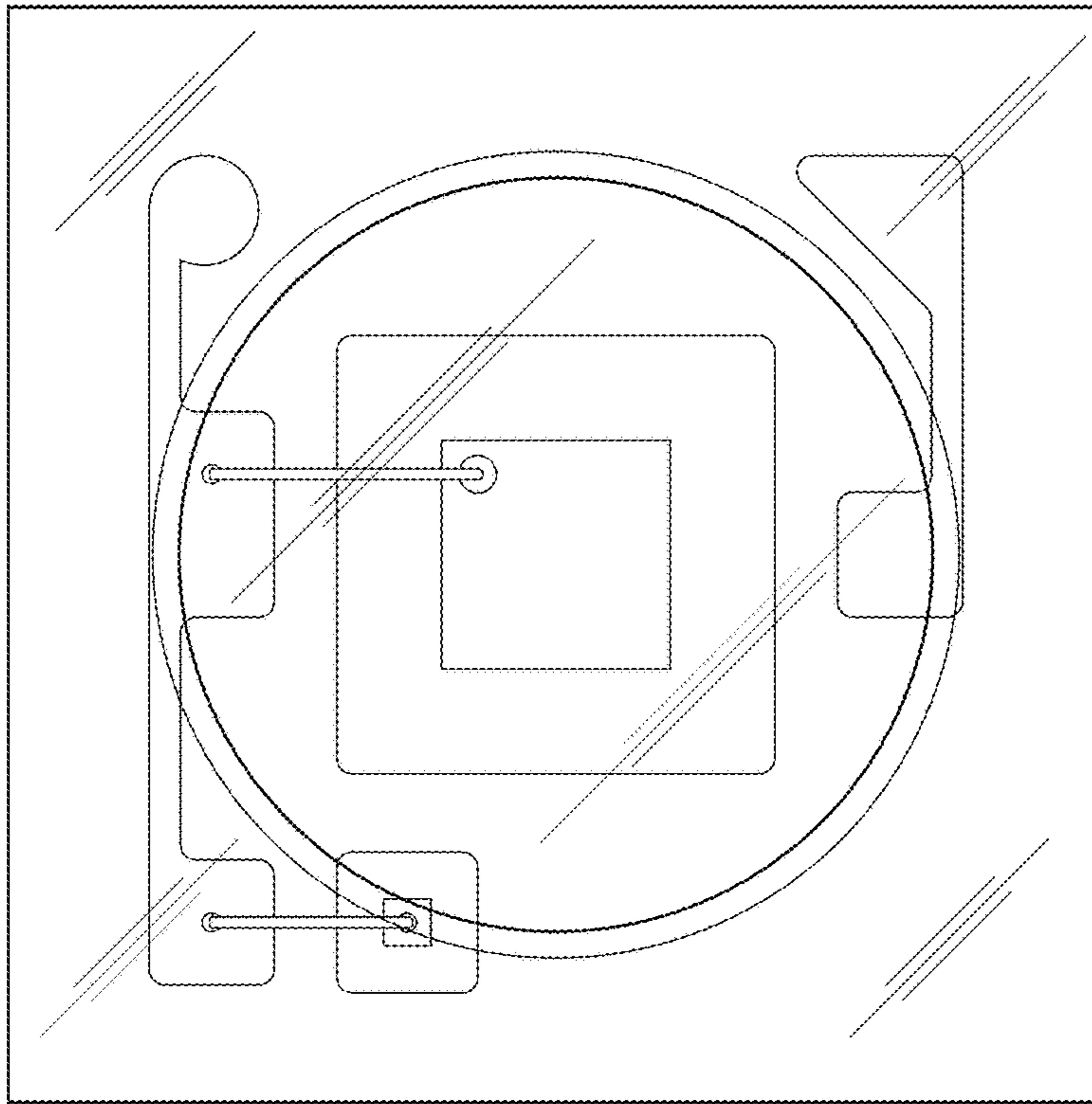


FIG. 19

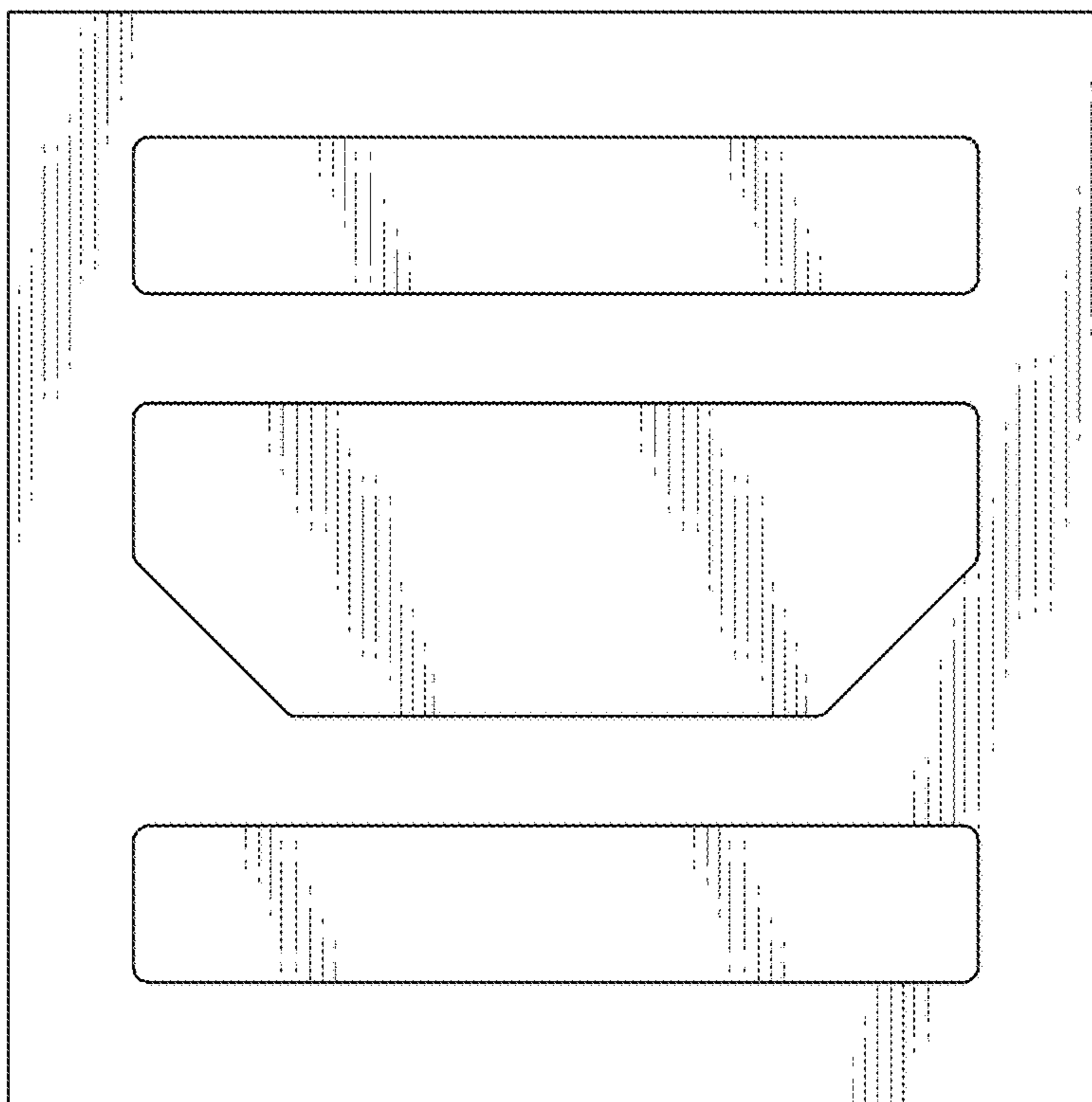


FIG. 20

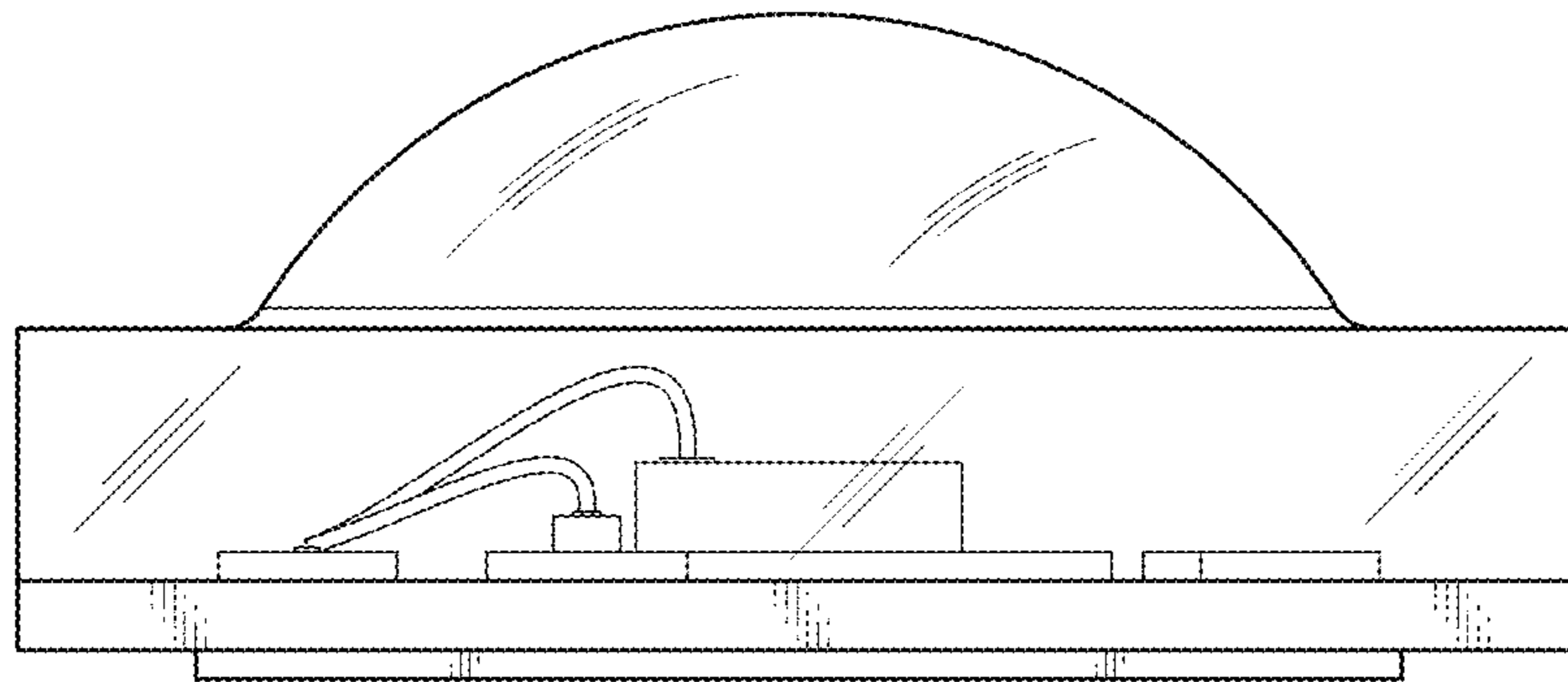


FIG. 21

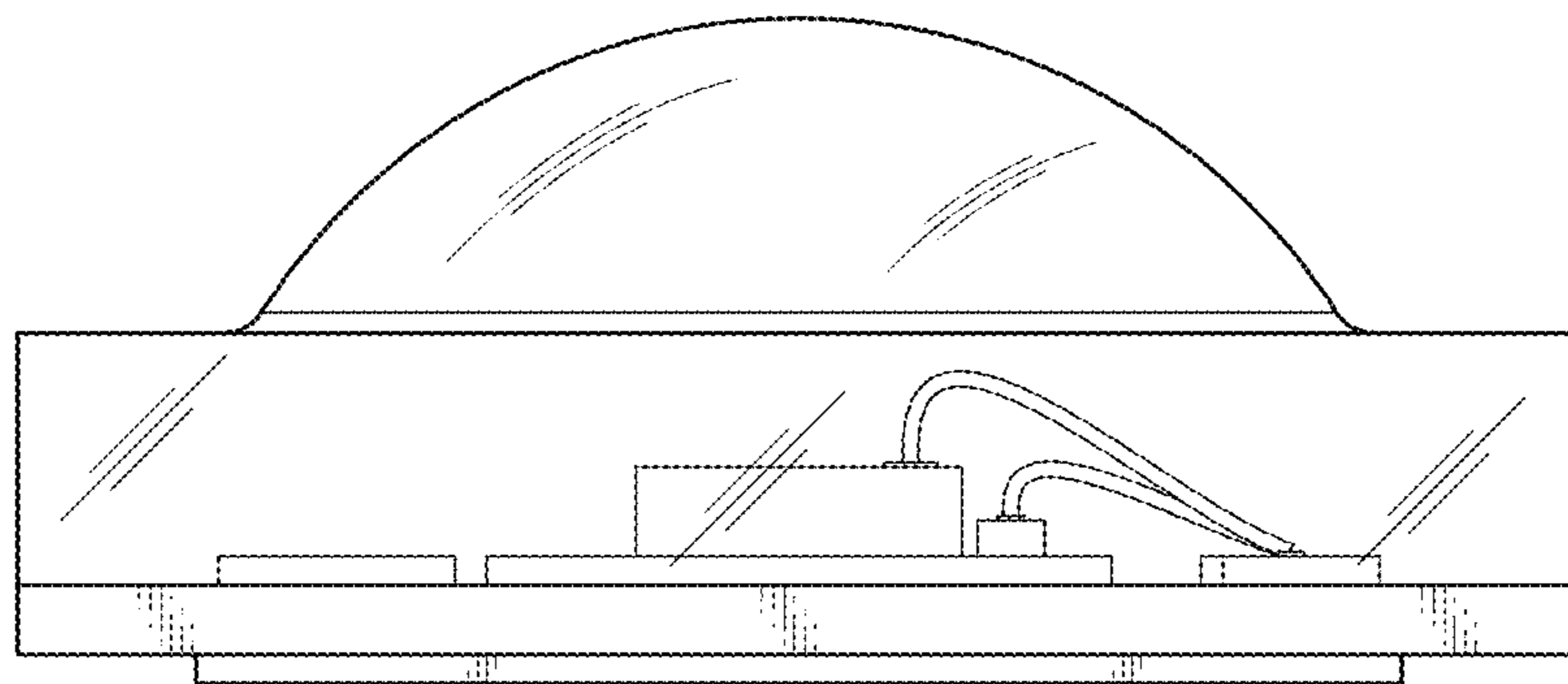


FIG. 22

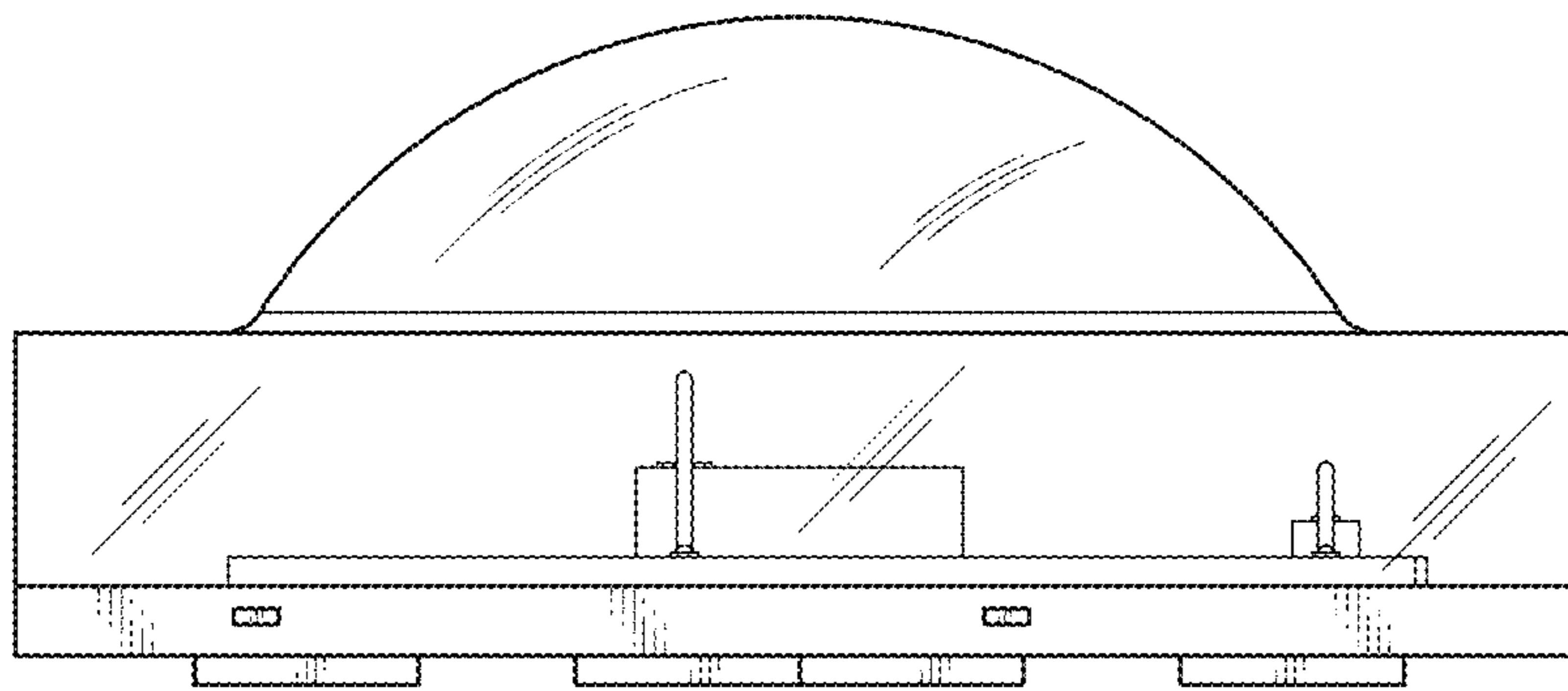


FIG. 23

