



US00D844179S

(12) **United States Design Patent**
Sailer

(10) **Patent No.:** **US D844,179 S**
(45) **Date of Patent:** **** Mar. 26, 2019**

(54) **STEP UNIT**

- (71) Applicant: **Glenn Sailer**, Escondido, CA (US)
- (72) Inventor: **Glenn Sailer**, Escondido, CA (US)
- (**) Term: **15 Years**
- (21) Appl. No.: **29/639,994**
- (22) Filed: **Mar. 10, 2018**

Related U.S. Application Data

- (63) Continuation-in-part of application No. 29/625,317, filed on Nov. 8, 2017, now Pat. No. Des. 828,931, which is a continuation-in-part of application No. 29/596,114, filed on Mar. 6, 2017, now Pat. No. Des. 805,658, which is a continuation of application No. 15/263,128, filed on Sep. 12, 2016, now abandoned, which is a continuation-in-part of application No. 14/811,713, filed on Jul. 28, 2015, now abandoned.
- (51) **LOC (11) Cl.** **25-04**
- (52) **U.S. Cl.**
USPC **D25/69**
- (58) **Field of Classification Search**
USPC D25/62-69; 182/120, 156, 40, 180.1, 182/202, 201, 204, 228.1, 229.2, 228.6, 182/100, 152, 189, 92, 87, 90; 248/210, 248/218.4
CPC ... E06C 1/387; E06C 7/00; E06C 7/50; E06C 7/081; E06C 7/084
See application file for complete search history.

(56) **References Cited**

U.S. PATENT DOCUMENTS

- 3,399,746 A * 9/1968 Wood E06C 9/04 182/100
- 4,449,612 A * 5/1984 Southard A63B 27/00 108/152

(Continued)

OTHER PUBLICATIONS

StepBoltInst.DOC (REV. Feb. 10, 2015) P/N 230311, Buckingham Mfg. Co. Inc., Warnings/Instructions, Step Bolt with Anchor (part No. 3058 & 3075).

(Continued)

Primary Examiner — Cynthia Ramirez
Assistant Examiner — Gino Colan
(74) *Attorney, Agent, or Firm* — LambentIP

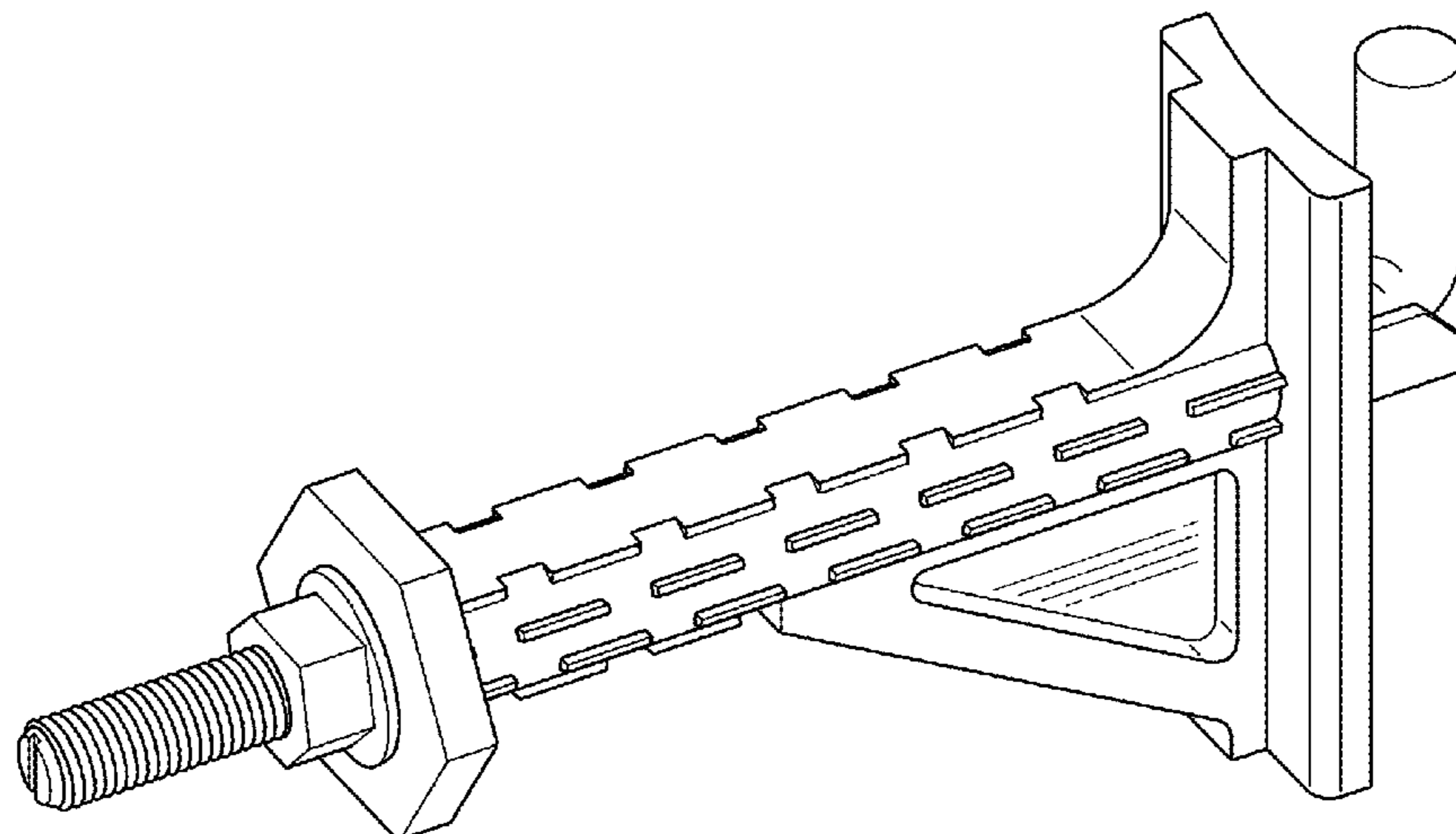
(57) **CLAIM**

The ornamental design for a step unit, as shown and described.

DESCRIPTION

FIG. 1 is a perspective view of a step unit, in an assembled configuration, showing my design.
 FIG. 2 is an exploded perspective view thereof.
 FIG. 3 is a right side elevational view thereof.
 FIG. 4 is a top plan view thereof.
 FIG. 5 is a perspective view of a step member of the step unit.
 FIG. 6 is a right side elevational view thereof.
 FIG. 7 is a front elevational view thereof.
 FIG. 8 is a rear elevational view thereof.
 FIG. 9 is a top plan view thereof.
 FIG. 10 is a bottom plan view thereof.
 FIG. 11 is a perspective view of a rod member of the step unit.
 FIG. 12 is a right side elevation view thereof.
 FIG. 13 is a top plan view thereof.
 FIG. 14 is a bottom plan view thereof.
 FIG. 15 is a front elevation view thereof; and,
 FIG. 16 is a rear elevational view thereof.
 Members of the step unit are shown separately in FIGS. 5-16 for clarity of illustration. The broken lines shown in FIGS. 3 and 4 are for the purpose of illustrating environment and form no part of the claimed design.

1 Claim, 7 Drawing Sheets



(56)

References Cited

U.S. PATENT DOCUMENTS

4,932,497 A * 6/1990 Raso A63B 27/00
182/189
5,544,717 A 8/1996 White et al.
5,941,485 A 8/1999 Davidson et al.
D429,002 S * 8/2000 Takahashi D25/69
D429,003 S * 8/2000 Takahashi D25/69
6,378,822 B1 4/2002 Franks
6,595,323 B2 7/2003 Lindsey et al.
D631,981 S * 2/2011 Henry D25/69
D655,597 S 3/2012 Matzek et al.
8,387,752 B2 3/2013 Lagerstedt
9,409,055 B1 * 8/2016 Niemela A63B 27/00
2002/0066620 A1 * 6/2002 Lindsey E06C 1/34
182/92
2005/0040303 A1 2/2005 Diggle et al.
2009/0045012 A1 * 2/2009 Mencl A63B 27/00
182/92

OTHER PUBLICATIONS

SP421 REV.D, Permanent D-Bolt Anchorage Connectors, Models:
415, 416, 416SS, 417, 417SS, 418, 418SS, 419, 419SS, Miller by
Honeywell.

* cited by examiner

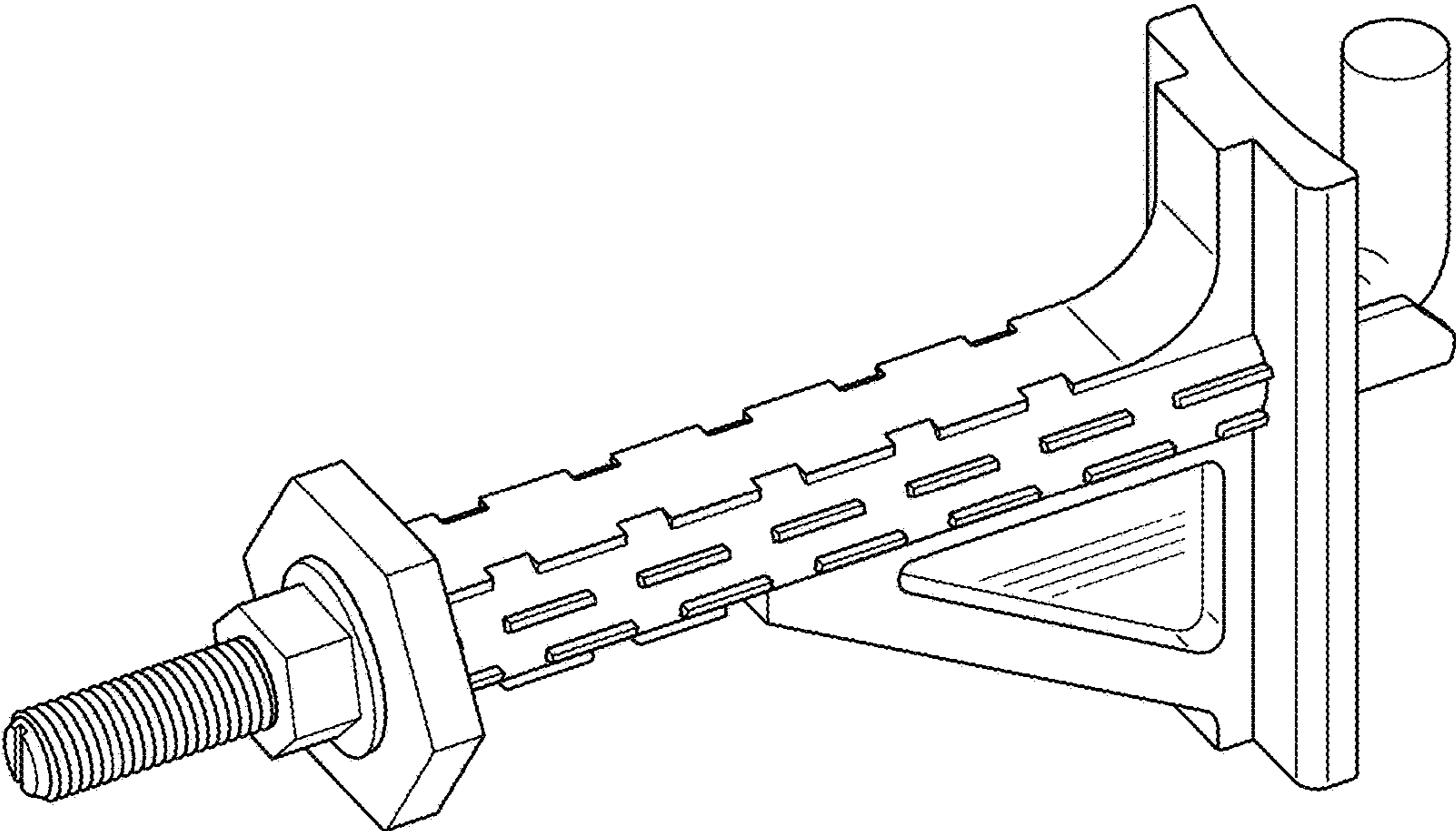


FIG. 1

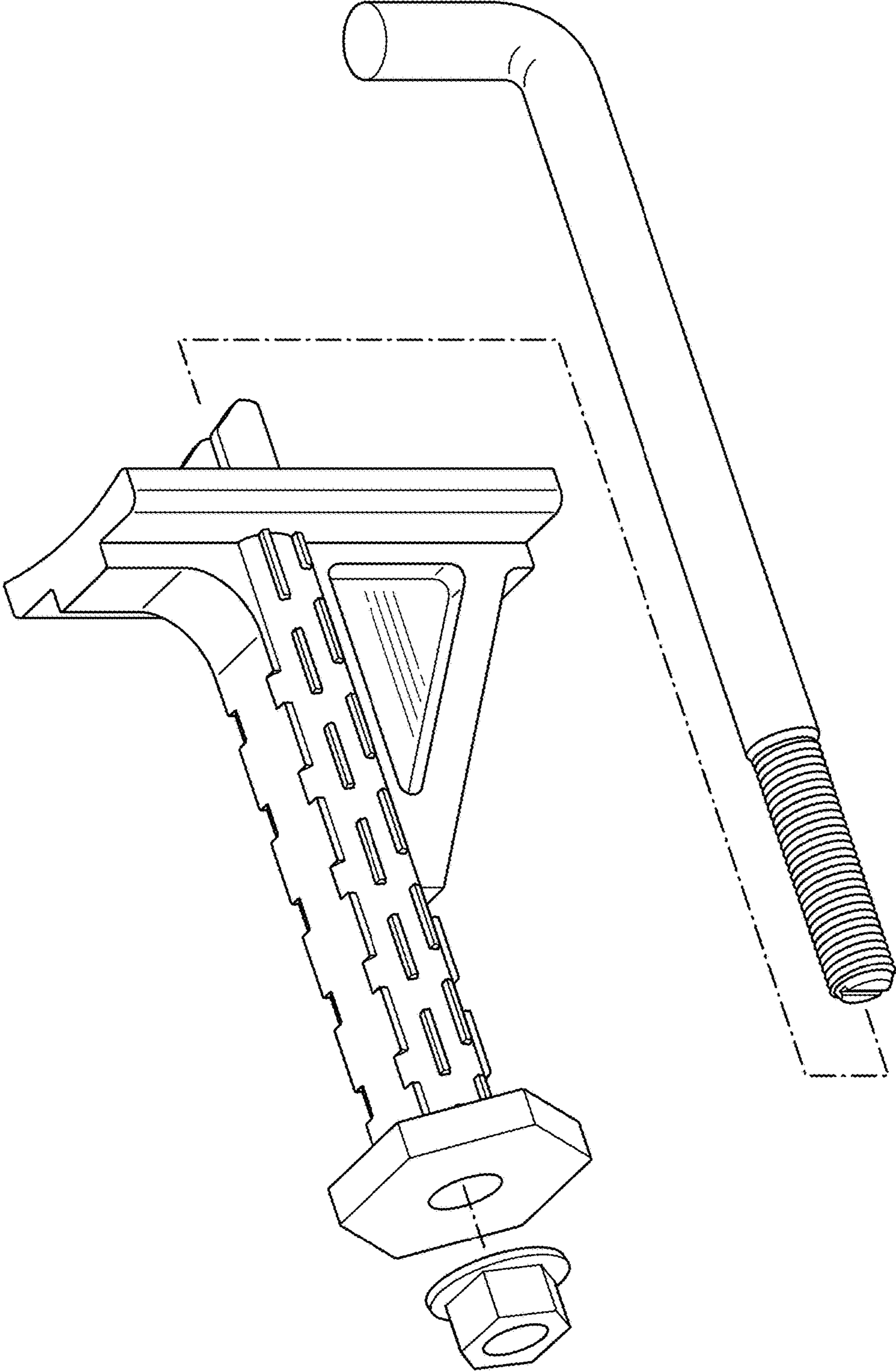


FIG. 2

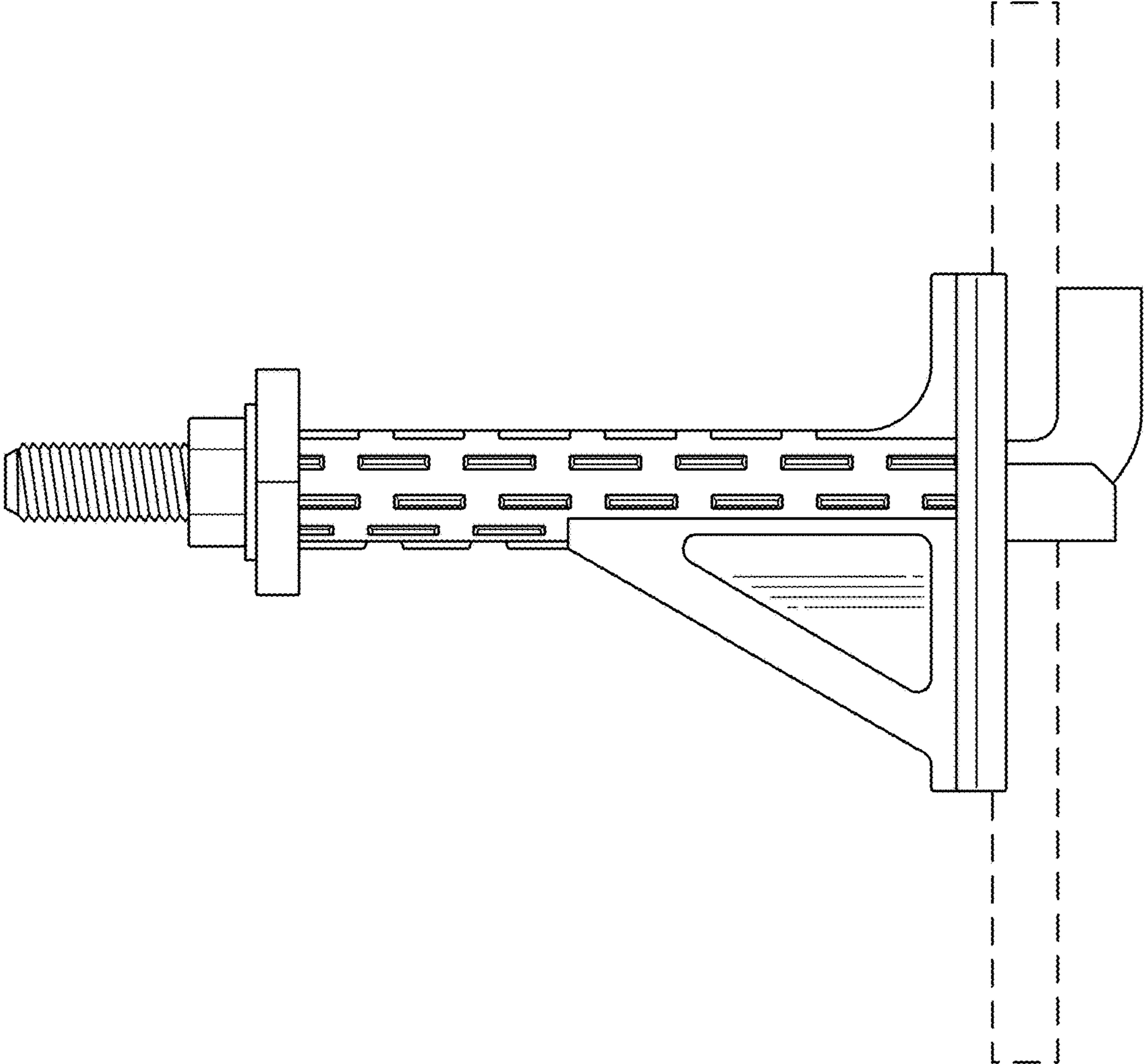


FIG. 3

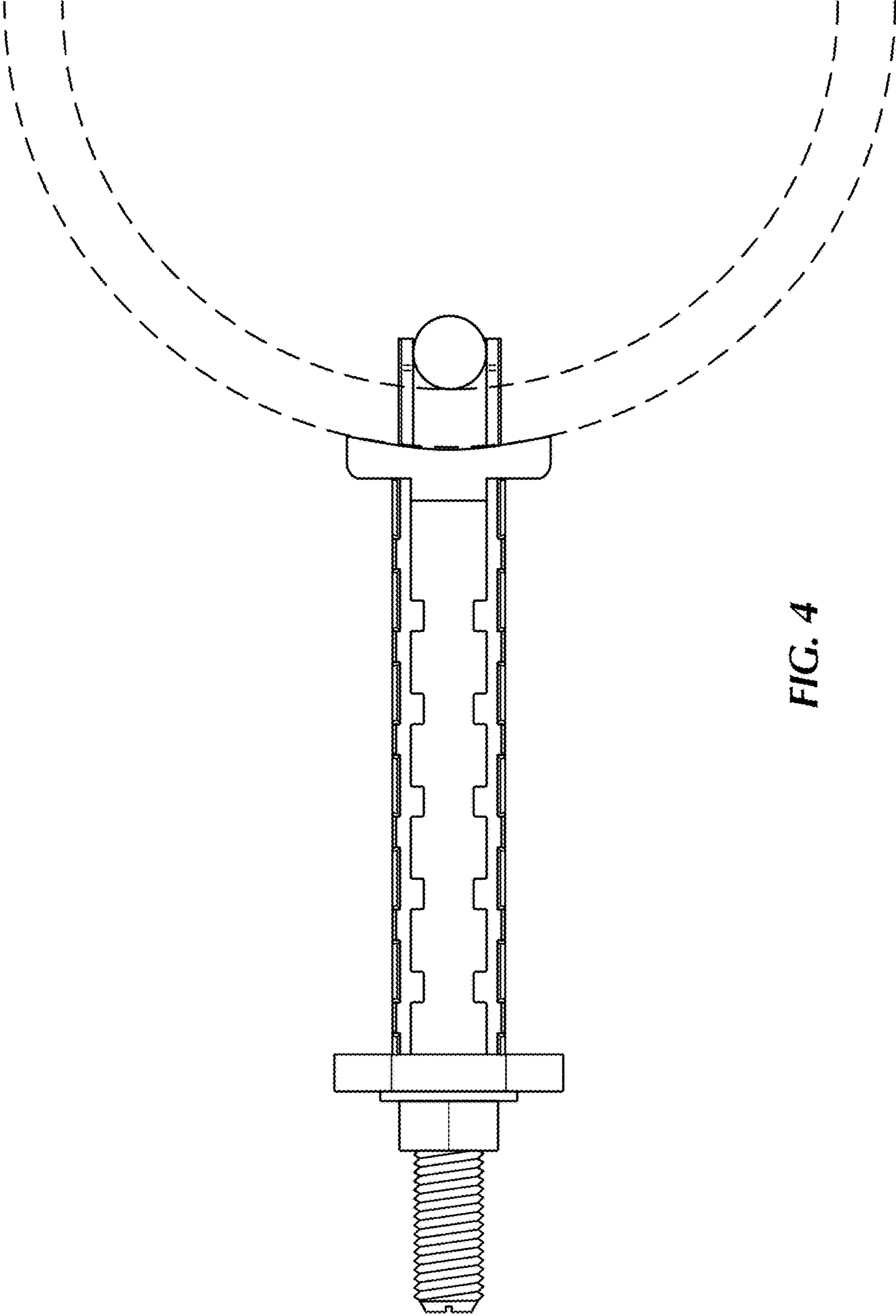


FIG. 4

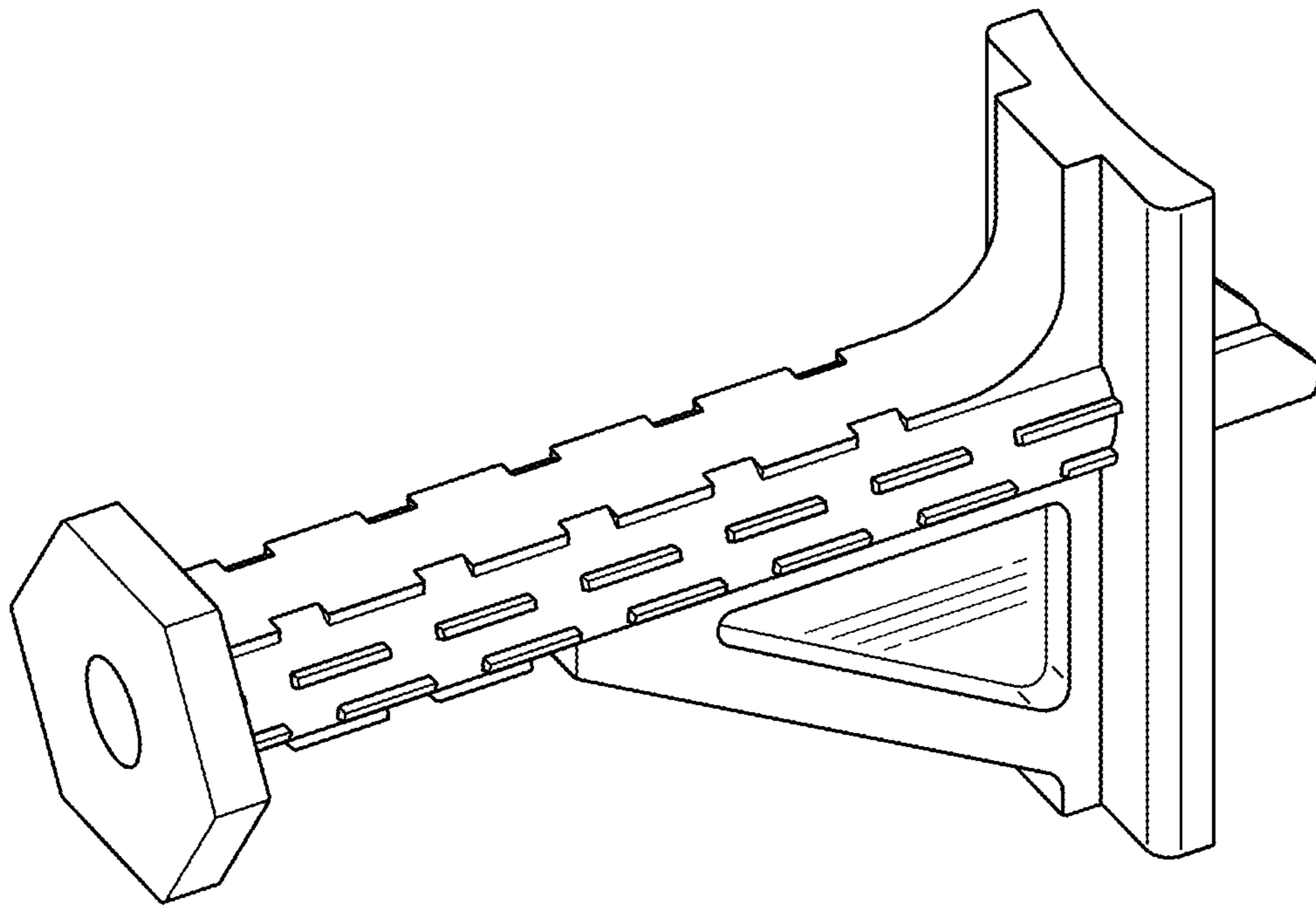


FIG. 5

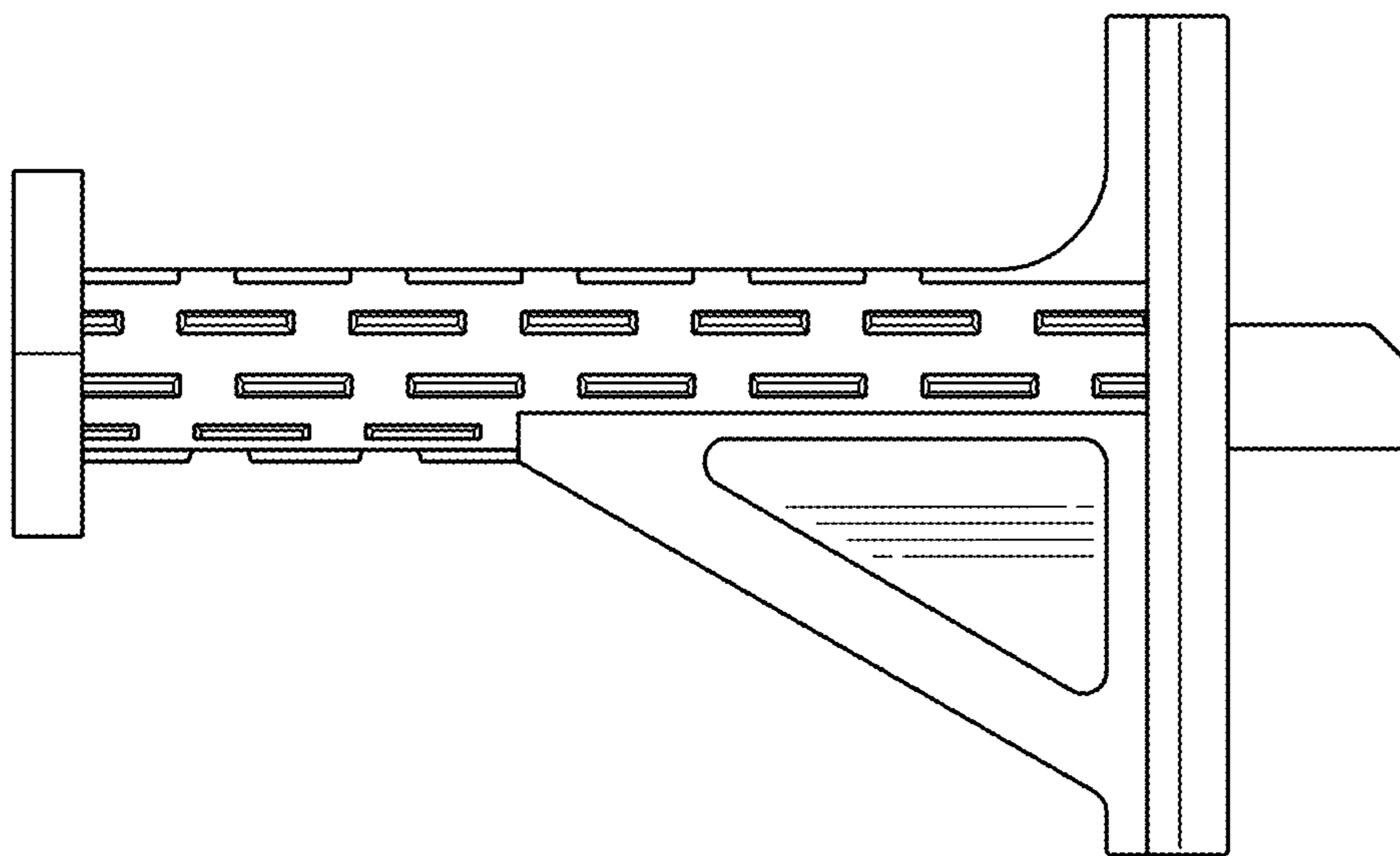


FIG. 6

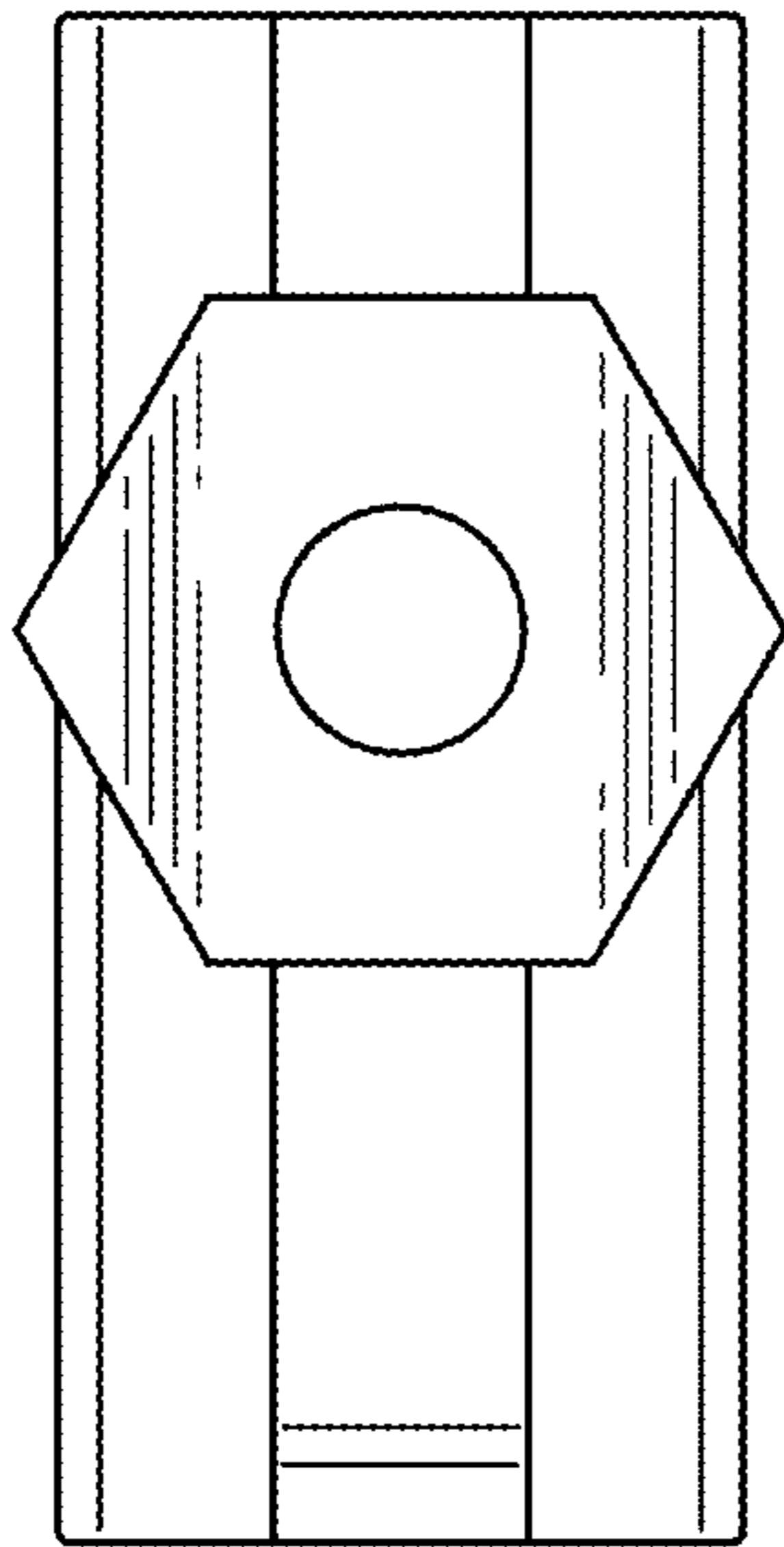


FIG. 7

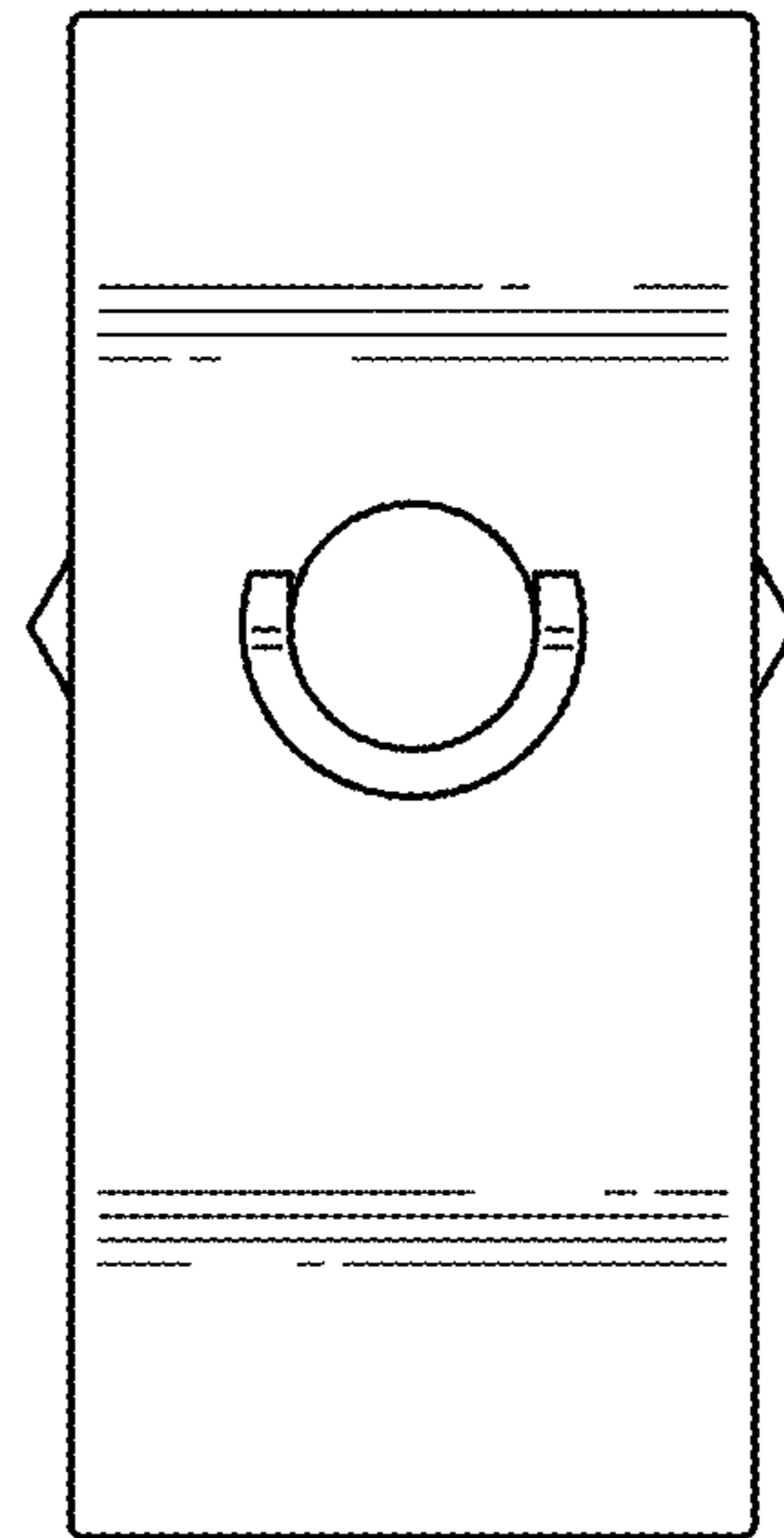


FIG. 8

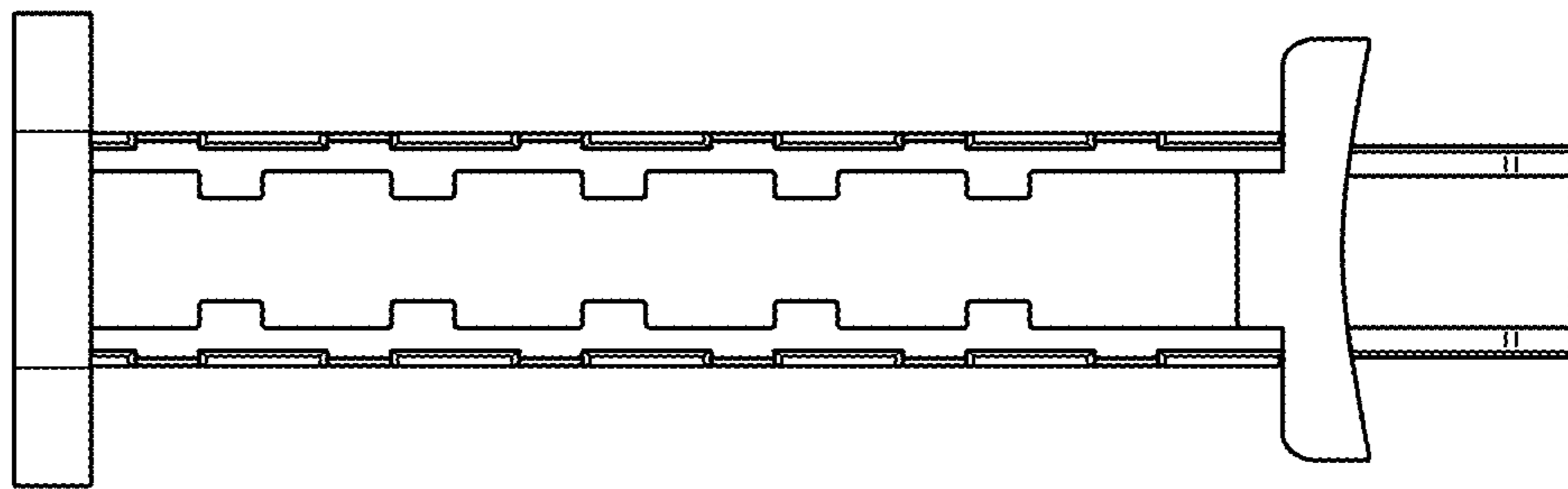


FIG. 9

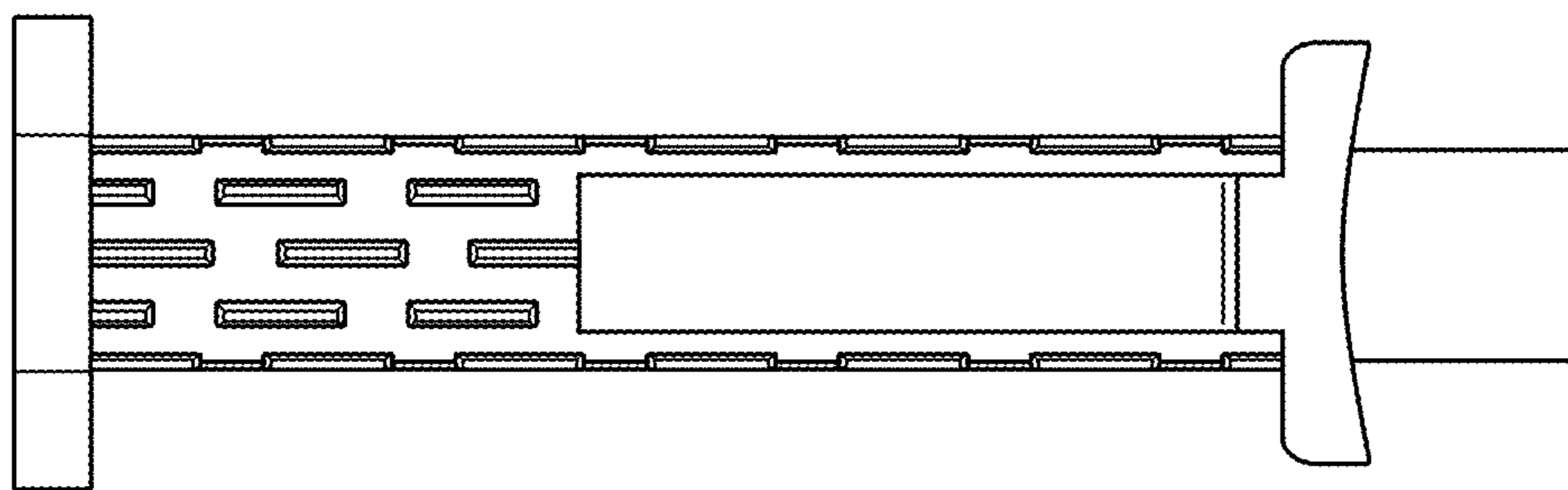


FIG. 10

