



US00D844178S

(12) **United States Design Patent**
Smith et al.

(10) **Patent No.:** **US D844,178 S**

(45) **Date of Patent:** **** Mar. 26, 2019**

- (54) **COLLAPSIBLE SAW HORSE**
- (71) Applicants: **Scott Clark Smith**, Cape May Court House, NJ (US); **Michael Edward Turanski**, Chicago, IL (US)
- (72) Inventors: **Scott Clark Smith**, Cape May Court House, NJ (US); **Michael Edward Turanski**, Chicago, IL (US)
- (**) Term: **15 Years**
- (21) Appl. No.: **29/570,926**
- (22) Filed: **Jul. 13, 2016**
- (51) **LOC (11) Cl.** **08-99**
- (52) **U.S. Cl.**
USPC **D25/67**
- (58) **Field of Classification Search**
USPC D25/62-69; 182/186.4, 186.5, 186.2, 182/186.3, 21, 155, 153, 185.1, 186.1, 182/226, 28, 225; 248/164, 166
CPC B25H 1/06; B25H 1/04; A47B 2200/0016
See application file for complete search history.

- 835,977 A * 11/1906 Nolan B25H 1/06
182/154
- 4,298,096 A * 11/1981 Prior B25H 1/06
182/153
- D274,365 S * 6/1984 Lipinski D25/67

* cited by examiner

Primary Examiner — Cynthia Ramirez

Assistant Examiner — Gino Colan

(74) *Attorney, Agent, or Firm* — Dunlap Bennett & Ludwig PLLC

(57) **CLAIM**

The ornamental design for a collapsible saw horse, as shown and described.

DESCRIPTION

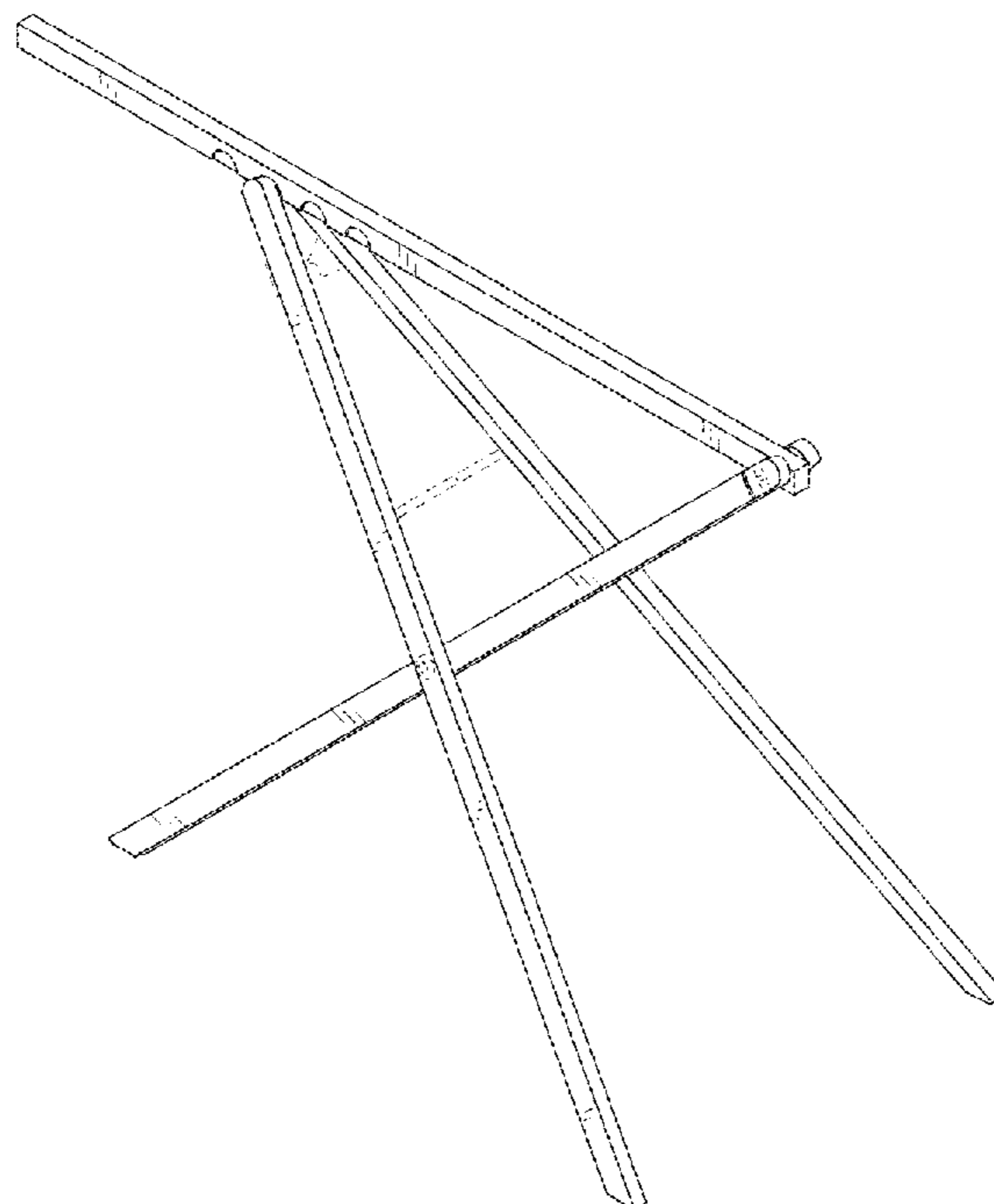
FIG. 1 is a perspective view of a collapsible saw horse, showing our new design;
 FIG. 2 is a left side elevation view thereof;
 FIG. 3 is an enlarged partial view of a portion thereof, taken from FIG. 2;
 FIG. 4 is a top plan view thereof;
 FIG. 5 is a bottom plan view thereof;
 FIG. 6 is an enlarged view of a portion thereof, taken from FIG. 4;
 FIG. 7 is a right side elevation view thereof;
 FIG. 8 is a rear elevation view thereof; and,
 FIG. 9 is a front elevation view thereof.
 The broken lines shown in the drawings depict portions of the collapsible saw horse that form no part of the claimed design.

1 Claim, 4 Drawing Sheets

(56) **References Cited**

U.S. PATENT DOCUMENTS

- 401,848 A * 4/1889 Miller B25H 1/06
182/154
- 538,912 A * 5/1895 Heinemann B25H 1/06
182/154
- 702,431 A * 6/1902 Howard B25H 1/06
182/154
- 810,776 A * 1/1906 Lay B25H 1/06
182/154



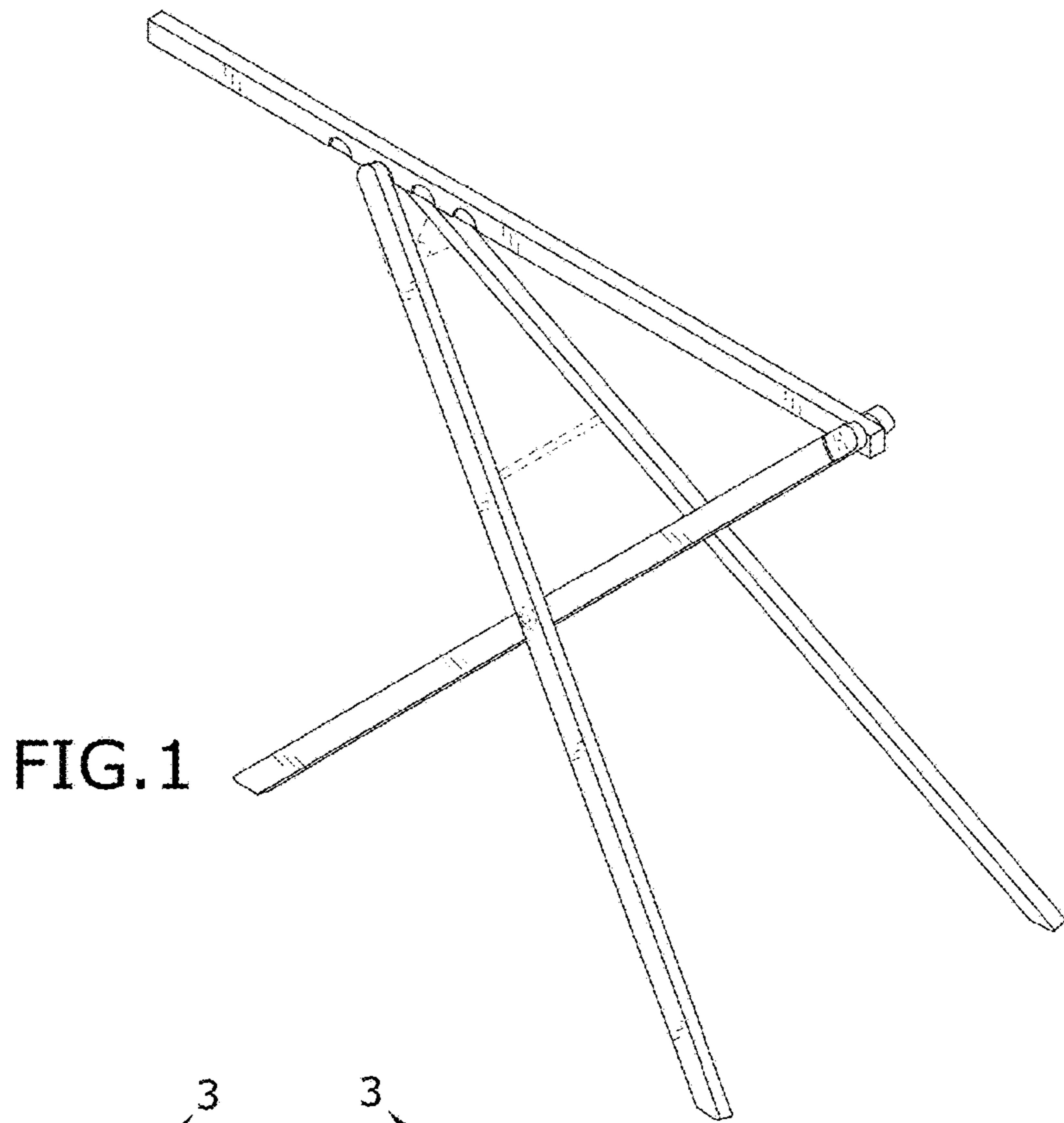


FIG. 1

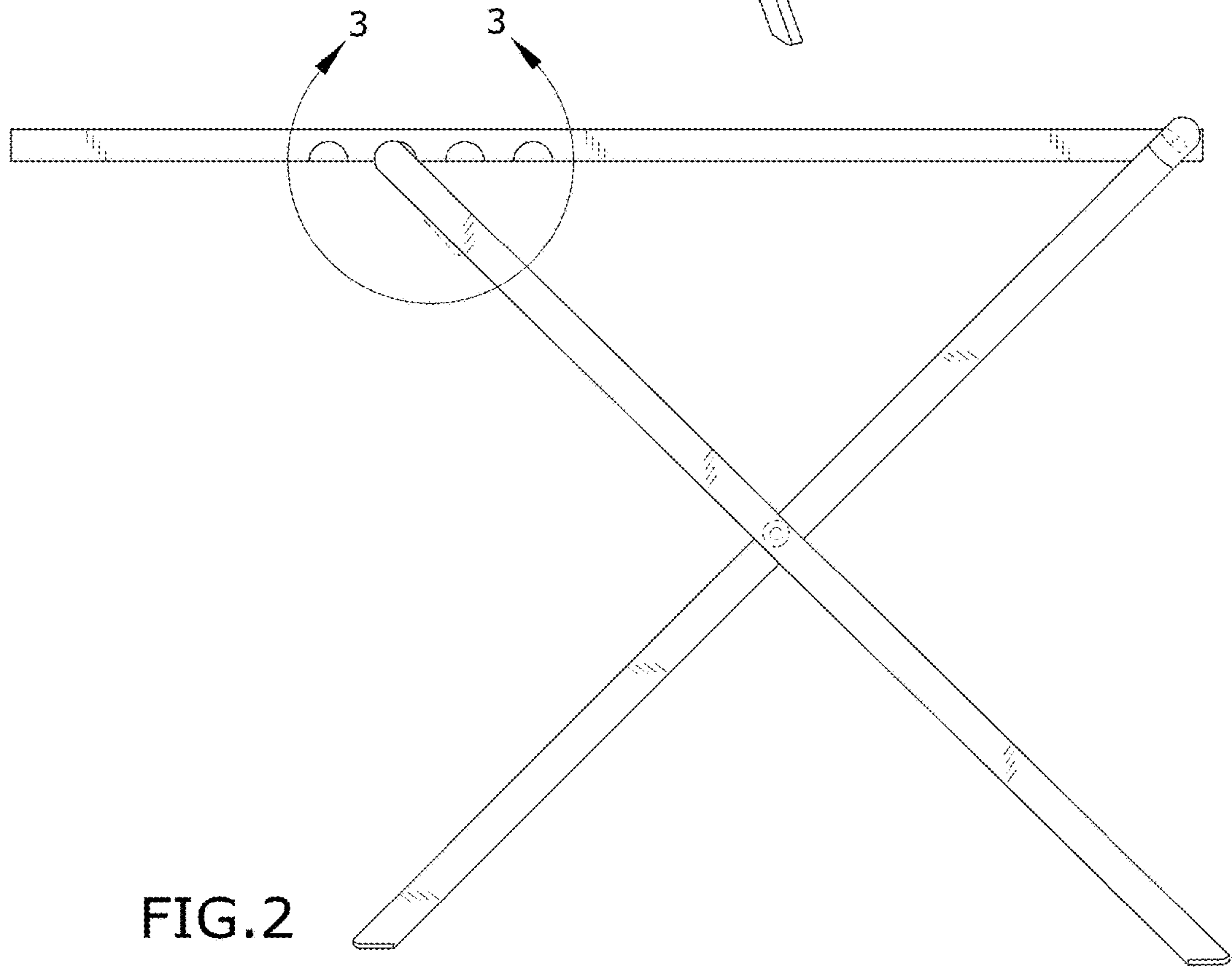
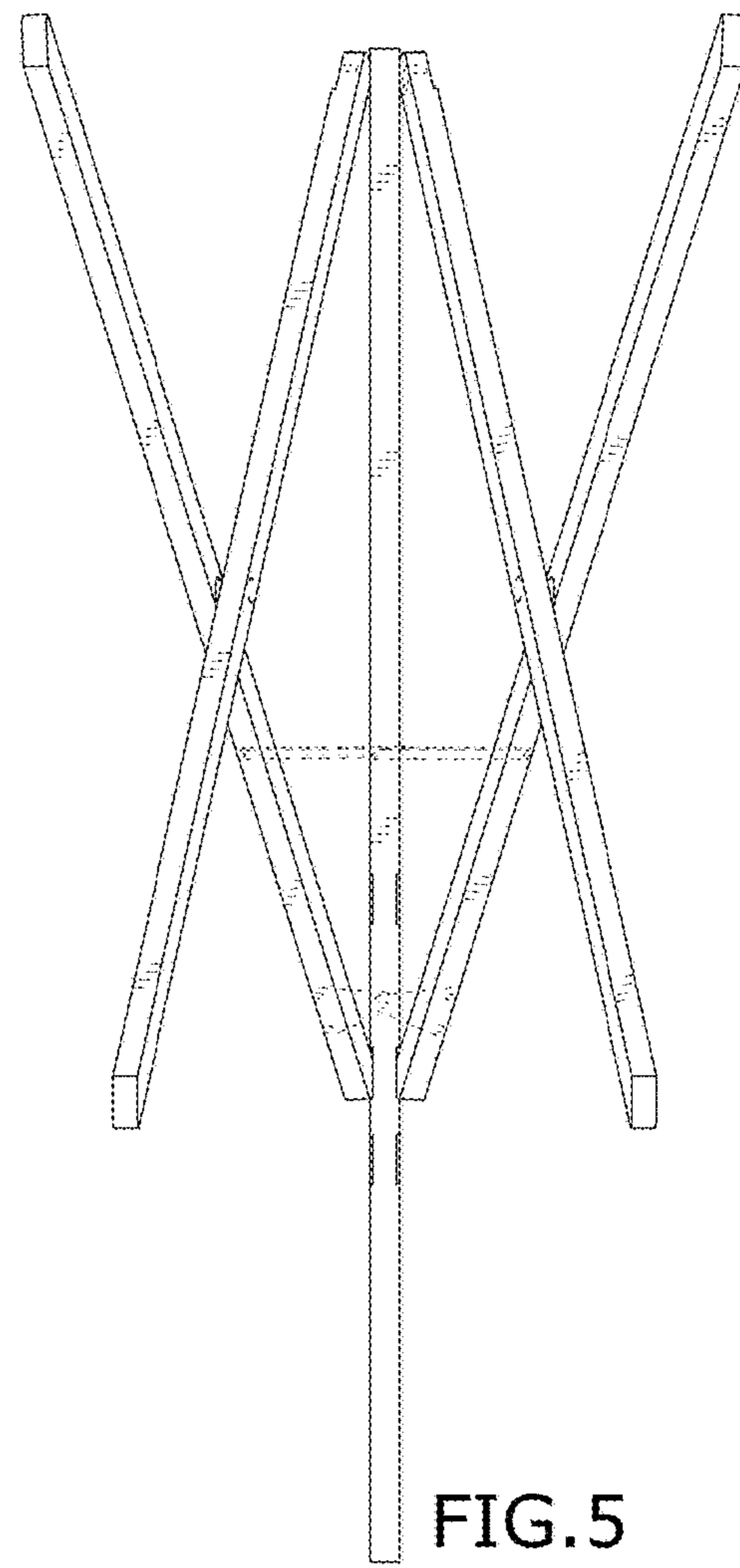
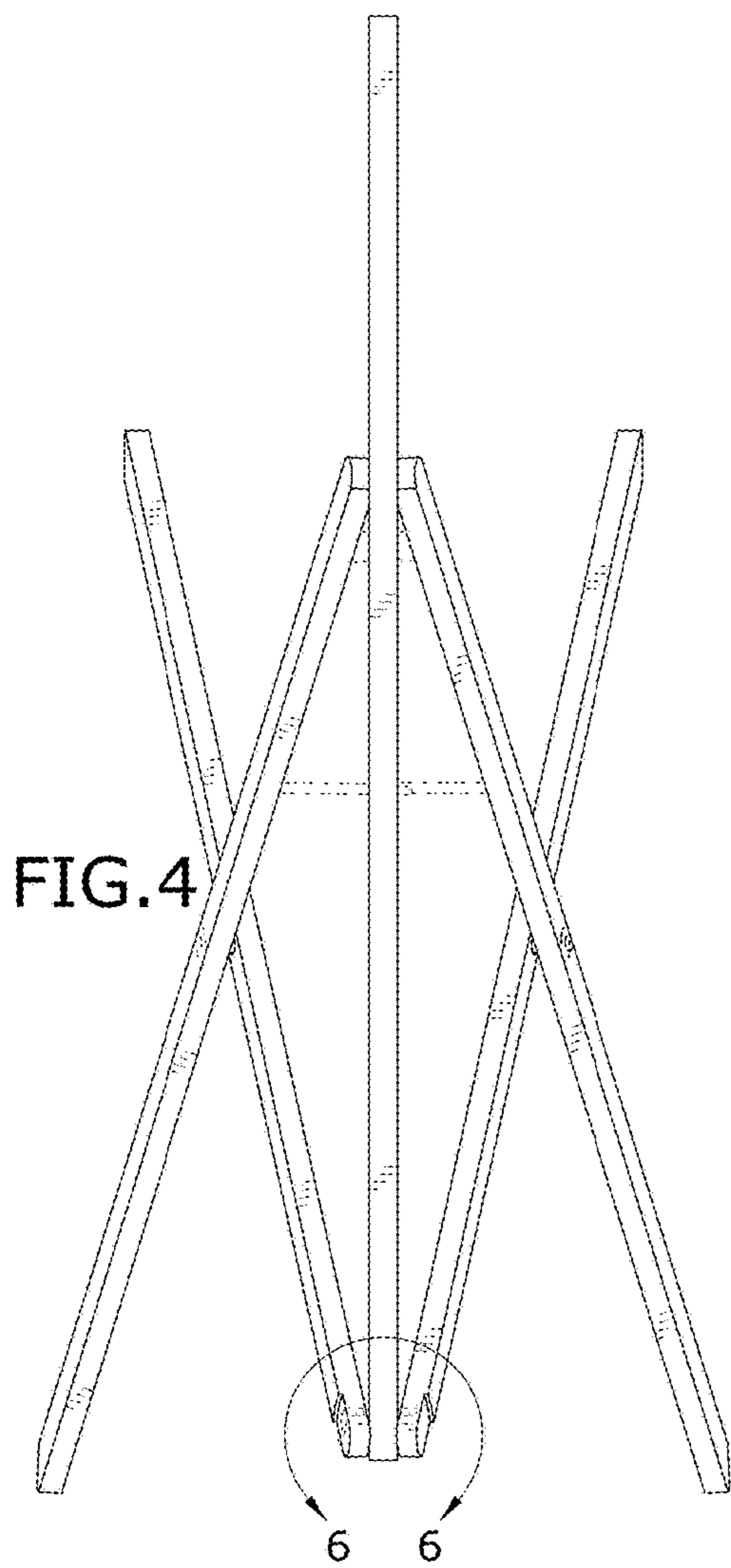
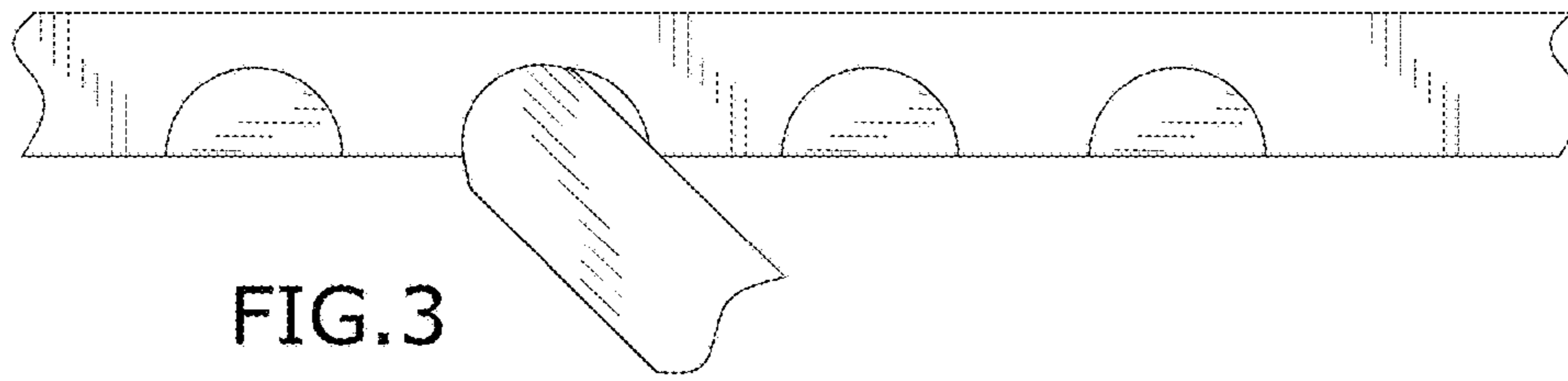


FIG. 2



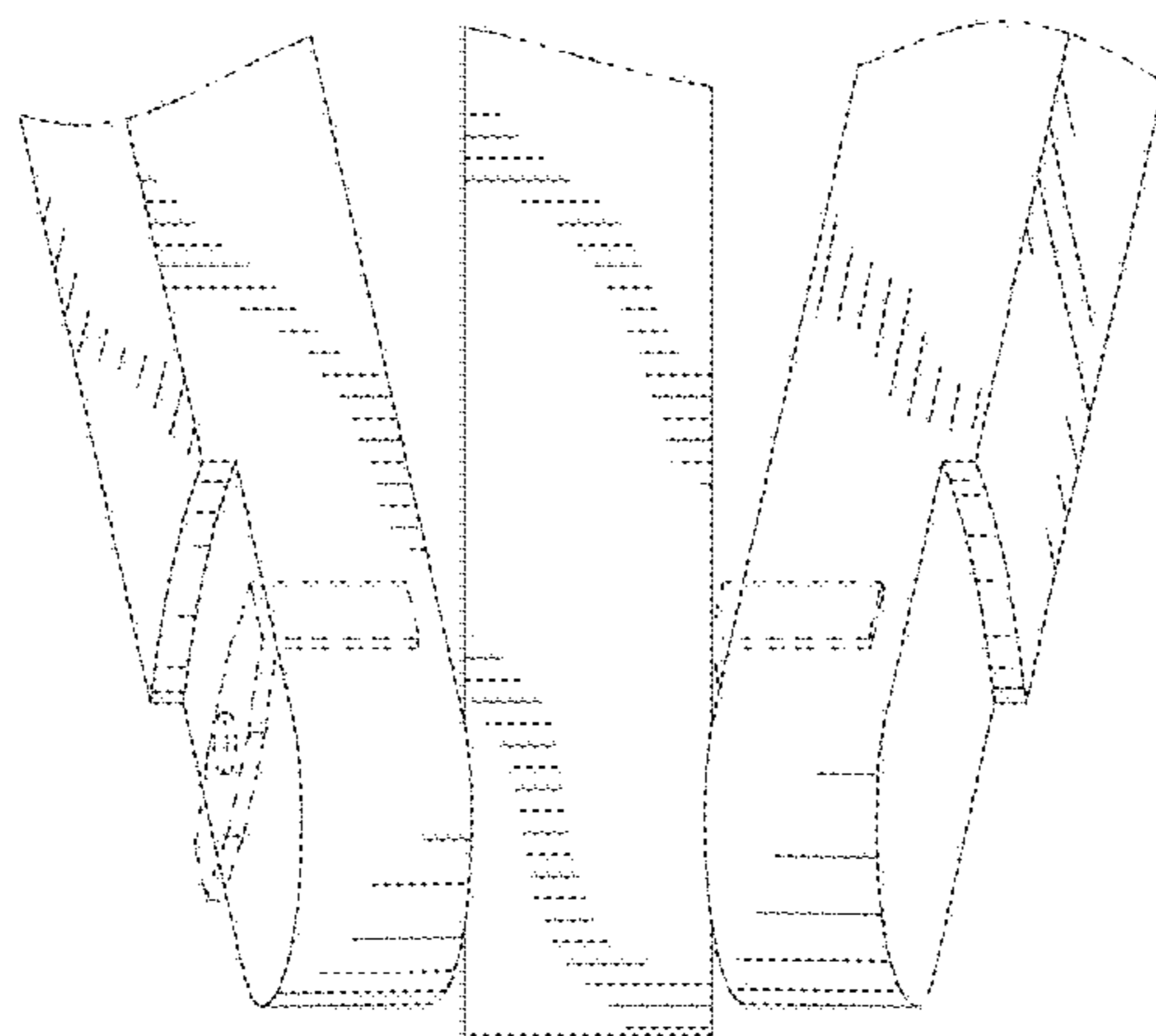


FIG. 6

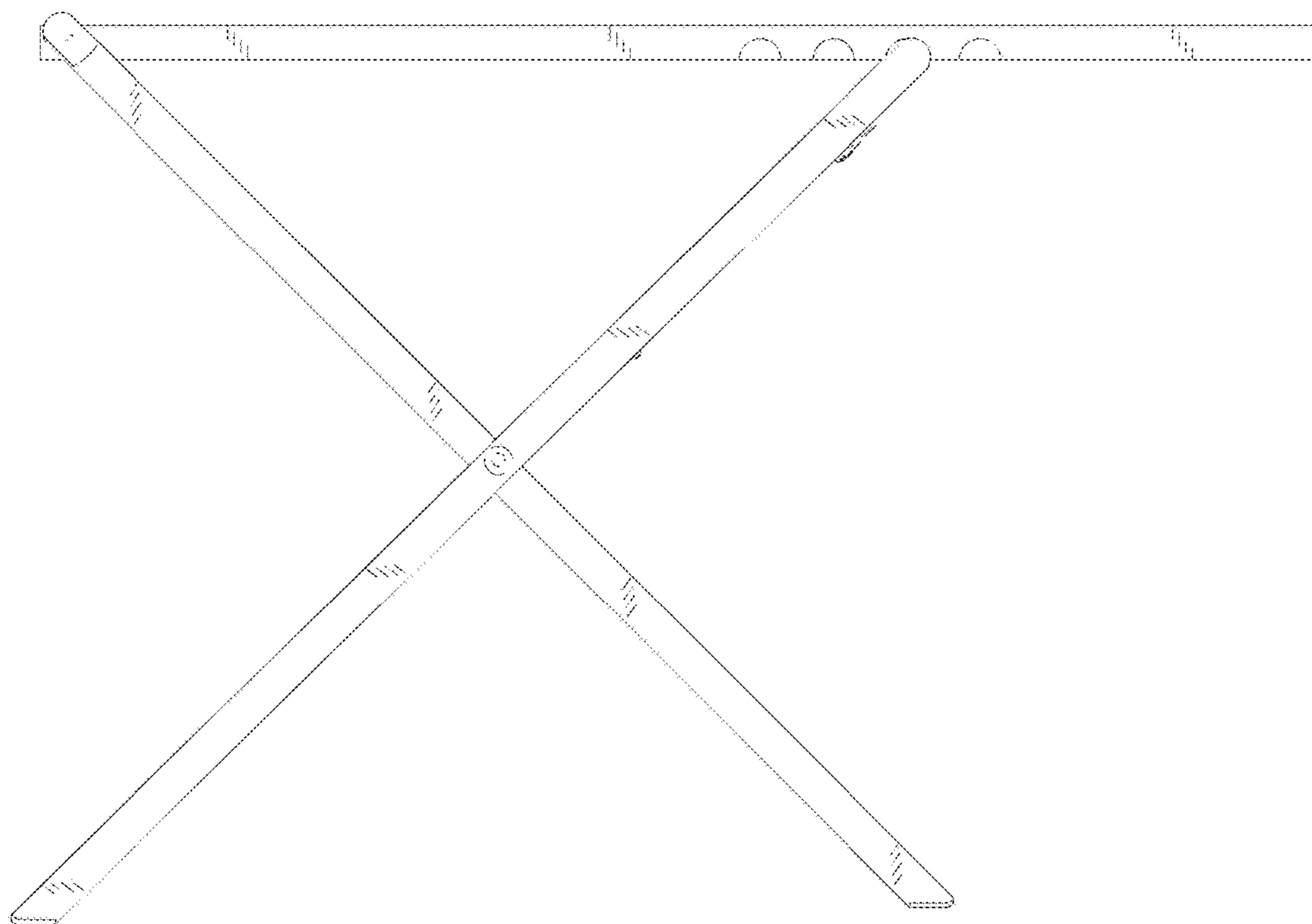


FIG. 7

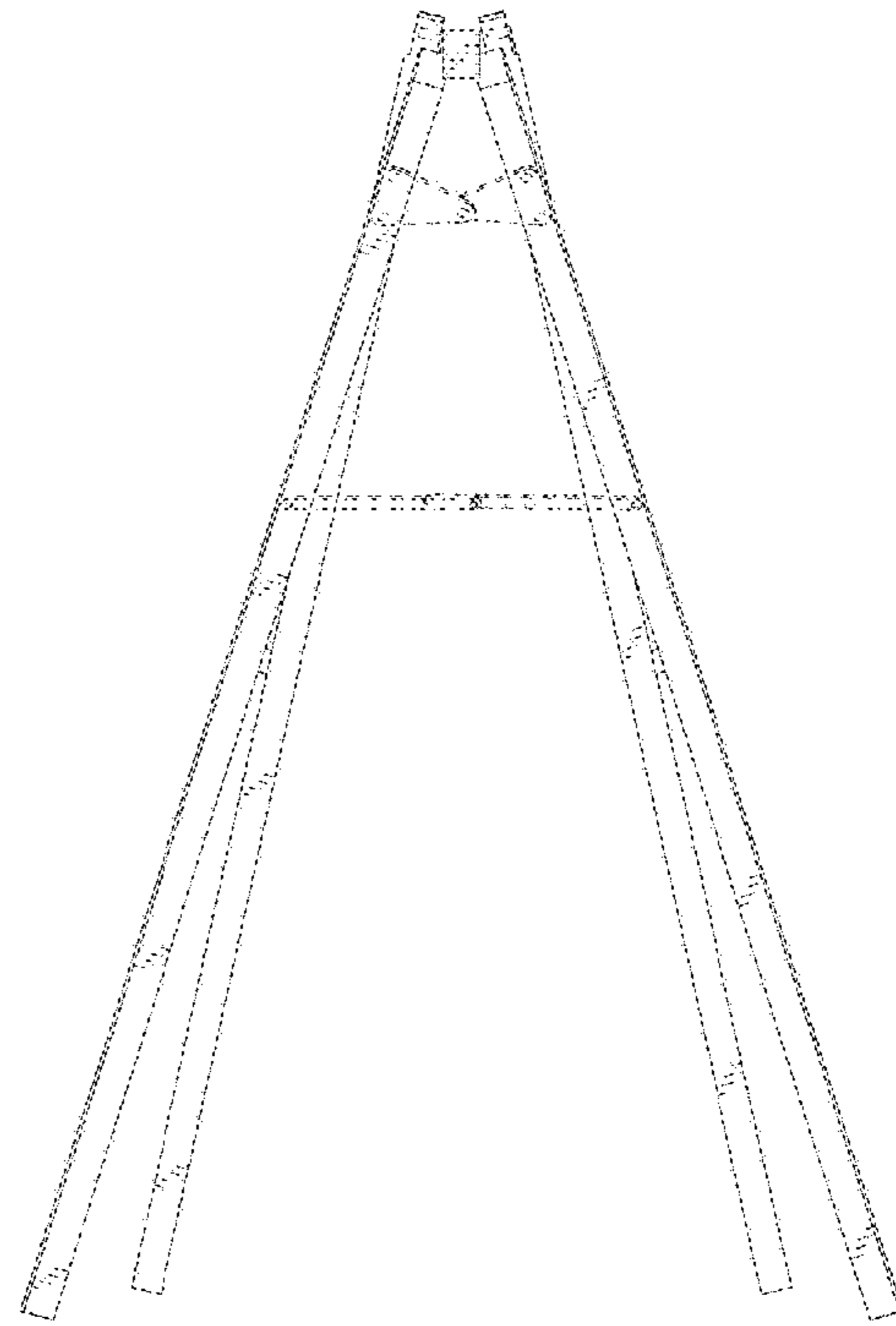


FIG. 8

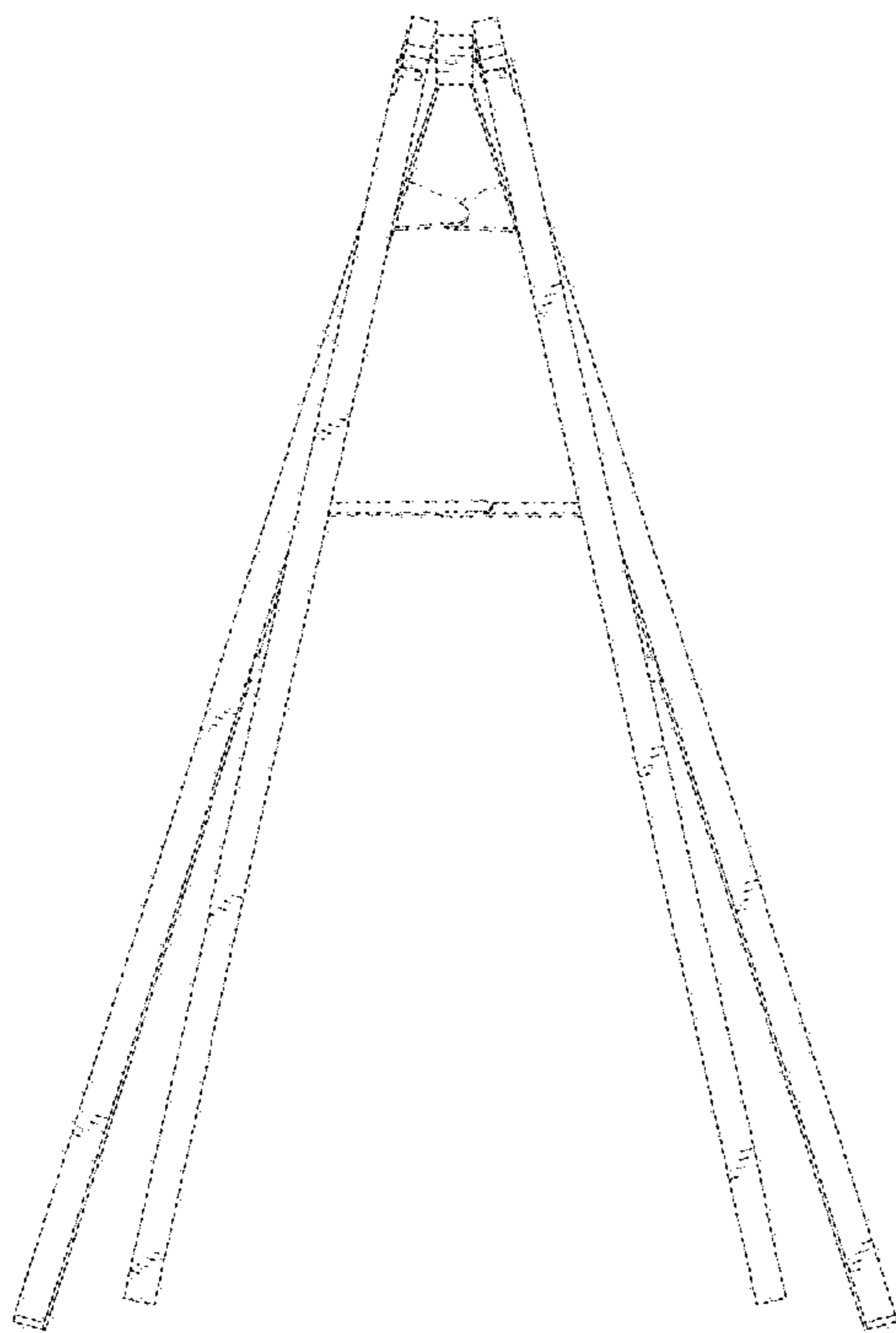


FIG. 9