



US00D844177S

(12) **United States Design Patent**  
**Martin et al.**

(10) **Patent No.:** **US D844,177 S**  
(45) **Date of Patent:** **\*\* Mar. 26, 2019**

(54) **MODULAR COMPOSITE SHELTER SYSTEM PANEL**

(71) Applicant: **Strategic Solutions Unlimited, Inc.**,  
Fayetteville, NC (US)

(72) Inventors: **Tony Michael Martin**, Myrtle Beach,  
SC (US); **Erik David Ross**,  
Fayetteville, NC (US)

(73) Assignee: **Strategic Solutions Unlimited, Inc.**,  
Fayetteville, NC (US)

(\*\*) Term: **15 Years**

(21) Appl. No.: **29/580,172**

(22) Filed: **Oct. 6, 2016**

(51) **LOC (11) Cl.** ..... **25-02**

(52) **U.S. Cl.**  
USPC ..... **D25/60**

(58) **Field of Classification Search**  
USPC ..... D25/33, 58, 60, 138  
CPC ..... E04B 1/0007; E04B 1/14; E04B 1/3445;  
E04B 1/3483; E04B 1/34321; E04C  
2/384; E04F 13/0826  
See application file for complete search history.

(56) **References Cited**

**U.S. PATENT DOCUMENTS**

2,120,861	A	6/1938	Hastings	
2,647,287	A *	8/1953	Jones	..... E04B 1/34321 108/55.1
3,236,014	A	2/1966	Edgar	
3,470,657	A *	10/1969	Irwin	..... E04B 1/34315 52/210
3,500,606	A *	3/1970	Wharmby	..... E04F 15/10 446/125
3,509,673	A *	5/1970	Witkosky	..... E04B 1/617 52/242
3,510,997	A *	5/1970	Ratyck	..... E04B 1/34823 52/262

(Continued)

**OTHER PUBLICATIONS**

<http://www.strategicsolutionsunlimited.com/modular-composite-shelter-system-mcss/> Mar. 2017 (Year: 2017).\*  
(Continued)

*Primary Examiner* — Leanne Was-Englehart  
(74) *Attorney, Agent, or Firm* — Dority & Manning, P.A.

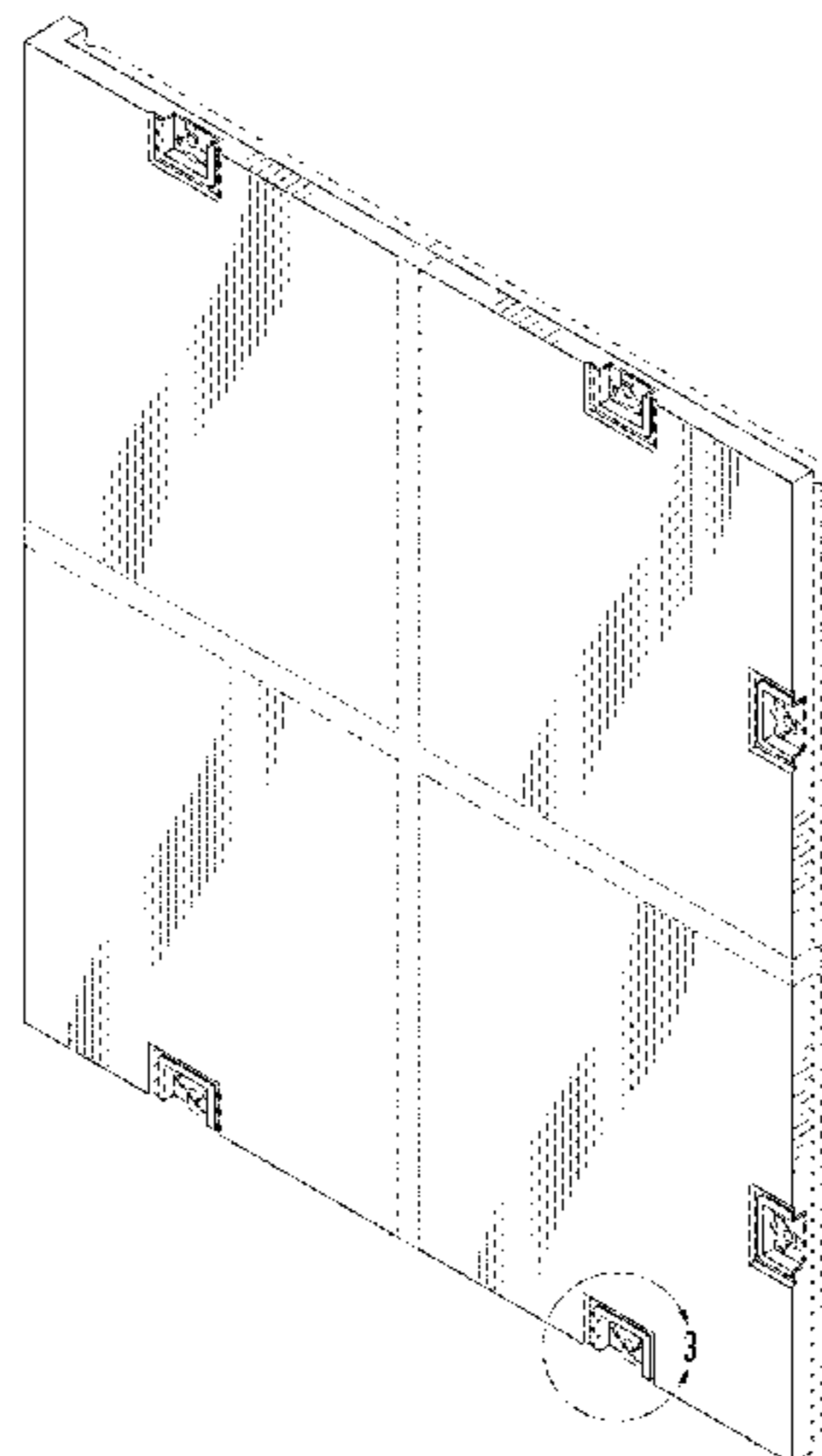
(57) **CLAIM**

The ornamental design for a modular composite shelter system panel, as shown and described.

**DESCRIPTION**

FIG. 1 is an exterior perspective view of a modular composite shelter system panel including connector location and attachment hardware features;  
FIG. 2 is an interior perspective view of a modular composite shelter system panel including connector locations and corresponding attachment hardware;  
FIG. 3 is a detailed view of a portion of the modular composite shelter system panel of FIG. 1 as represented within circle 3; and,  
FIG. 4 is a detailed view of a portion of the modular composite shelter system panel of FIG. 2 as represented within circle 4.  
The evenly spaced long-dash broken lines depict portions of the modular composite shelter system panel that form no part of the claimed design.  
The drawings contain vertical and horizontal symbolic breaks in FIG. 1 and FIG. 2 depicted by the short-dash broken lines. The portion between the symbolic breaks forms no part of the claimed design.  
The dot-dash broken lines in FIGS. 1 and 2 depict the limits of the enlarged views of FIGS. 3 and 4, respectively.

**1 Claim, 3 Drawing Sheets**



(56)

References Cited

U.S. PATENT DOCUMENTS

3,611,667 A \* 10/1971 Maxwell, Sr. .... E04B 1/0007  
52/747.1  
3,729,889 A \* 5/1973 Baruzzini ..... E04B 1/6162  
52/264  
3,793,796 A \* 2/1974 Hughes ..... E04B 1/3483  
52/79.8  
3,992,828 A 11/1976 Ohe  
4,018,020 A \* 4/1977 Sauer ..... E04B 2/7457  
52/241  
4,223,500 A 9/1980 Clark et al.  
4,294,051 A \* 10/1981 Hughes, Jr. .... E04B 1/14  
52/223.7  
4,599,829 A \* 7/1986 DiMartino, Sr. .... E04B 1/3483  
410/79  
4,787,181 A \* 11/1988 Witten ..... E04B 1/3483  
220/4.21  
5,417,020 A \* 5/1995 Dobija ..... E04F 13/0826  
52/235  
6,179,522 B1 1/2001 Sanford et al.  
D445,914 S \* 7/2001 Helminiak ..... D25/33  
6,313,549 B1 11/2001 Moisan et al.  
D479,883 S \* 9/2003 Gresham ..... D25/119  
6,622,640 B2 9/2003 Taylor et al.  
D481,138 S \* 10/2003 Forster ..... A63C 19/10  
D25/138  
D481,466 S \* 10/2003 Mueller ..... D25/58  
D496,737 S \* 9/2004 Moon ..... D25/33  
D540,473 S \* 4/2007 Loggen ..... D25/58

D541,429 S \* 4/2007 Horden ..... D25/33  
D593,215 S \* 5/2009 Bohler ..... D25/58  
D610,266 S \* 2/2010 Strehler ..... D25/33  
7,954,294 B2 6/2011 Appleford  
D667,965 S \* 9/2012 Tuan ..... D25/138  
D683,469 S 5/2013 Yoder et al.  
8,646,242 B2 \* 2/2014 Shapiro ..... E04F 15/10  
52/506.1  
D722,395 S \* 2/2015 Britton ..... D25/138  
D736,961 S \* 8/2015 Geldart ..... D25/138  
D737,474 S \* 8/2015 Geldart ..... D25/138  
D740,961 S 10/2015 Hart  
D742,030 S 10/2015 Magiera  
D754,368 S \* 4/2016 Ohshima ..... D25/138  
D771,272 S 11/2016 Hart  
2008/0263968 A1 10/2008 Day  
2010/0043309 A1 2/2010 Martin et al.  
2013/0067846 A1 3/2013 Kvols et al.  
2014/0123572 A1 5/2014 Segall  
2017/0314255 A1 \* 11/2017 Klein ..... E04B 1/3444  
2017/0356182 A1 12/2017 Caffaratti Giro

OTHER PUBLICATIONS

[https://www.youtube.com/watch?v=eKi\\_9VkPR4I](https://www.youtube.com/watch?v=eKi_9VkPR4I) Posted Apr. 4, 2017 (Year: 2017).\*  
Department of The Army, Appendix D (463L Cargo System), "United Air Movement Planning", Field Manual No. 55-9, Apr. 5, 1993, Washington, DC.

\* cited by examiner

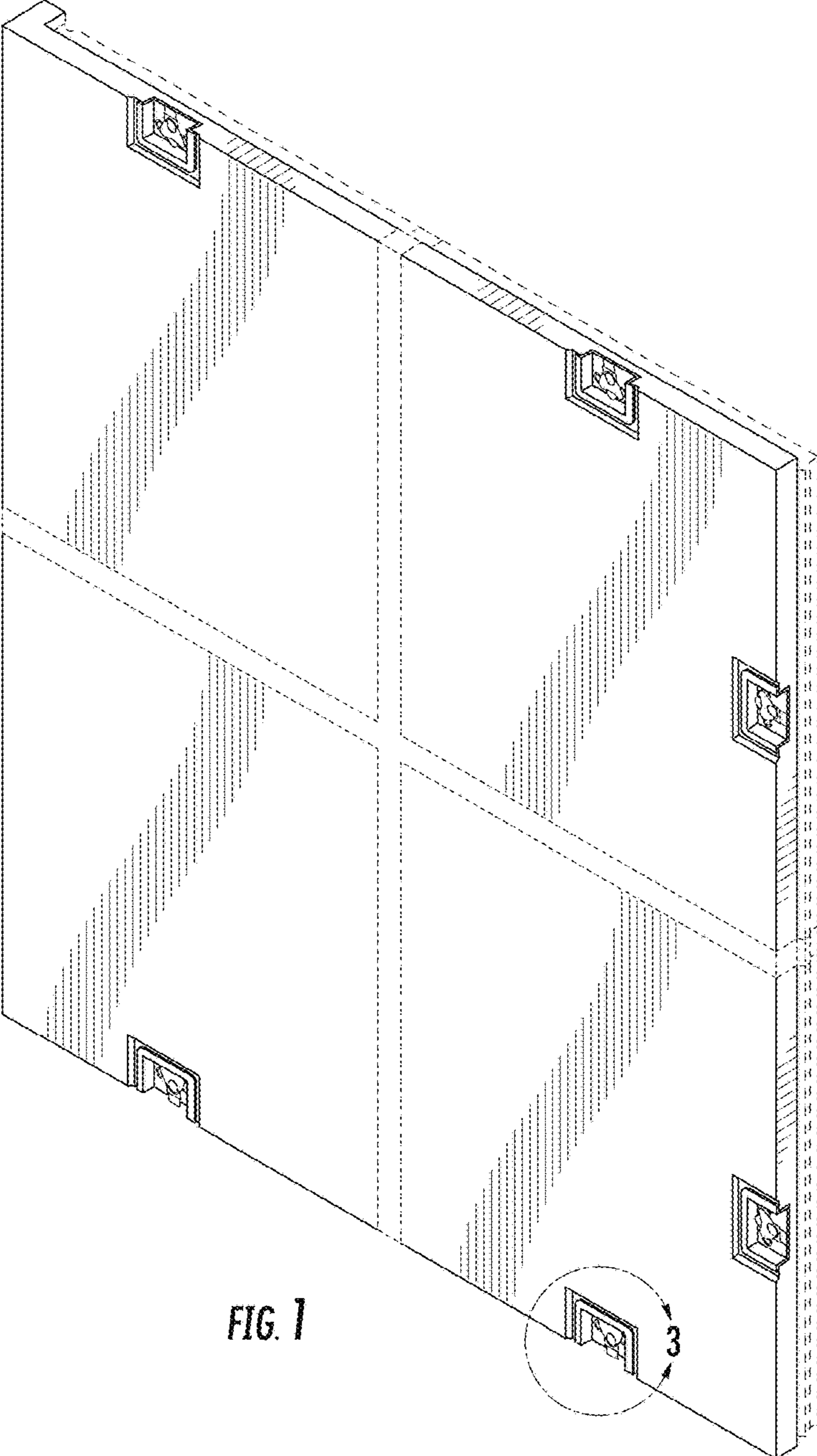


FIG. 1

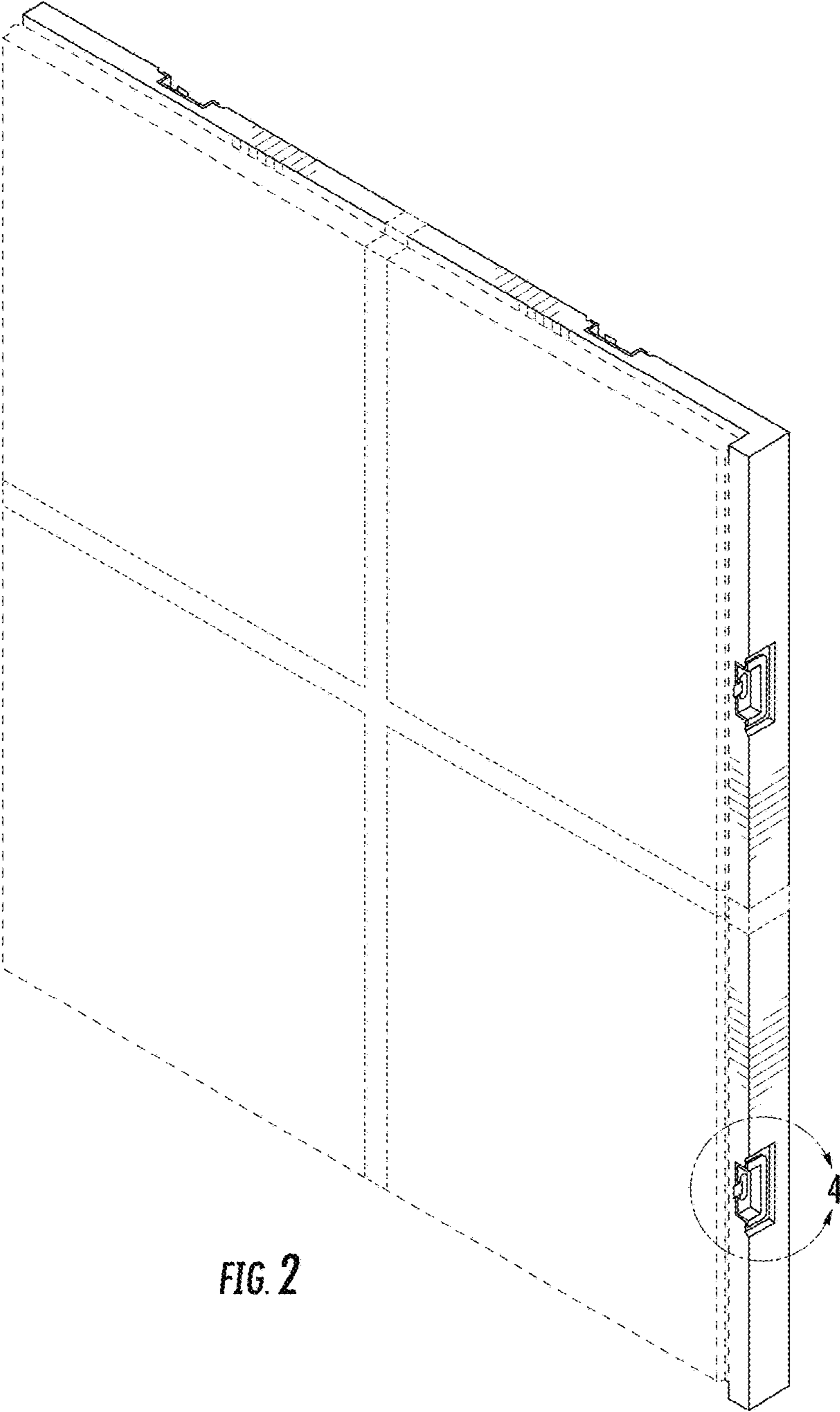


FIG. 2

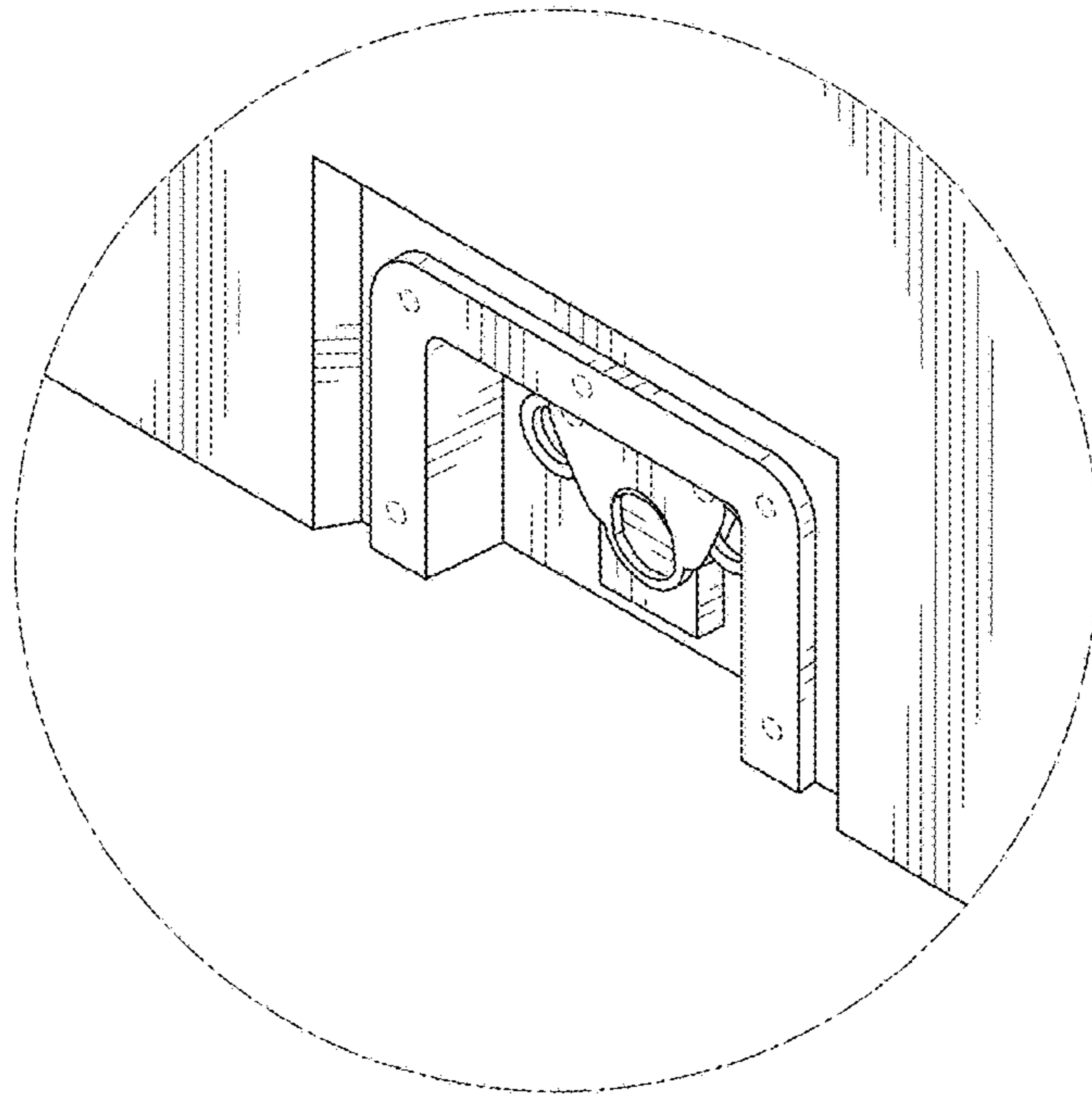


FIG. 3

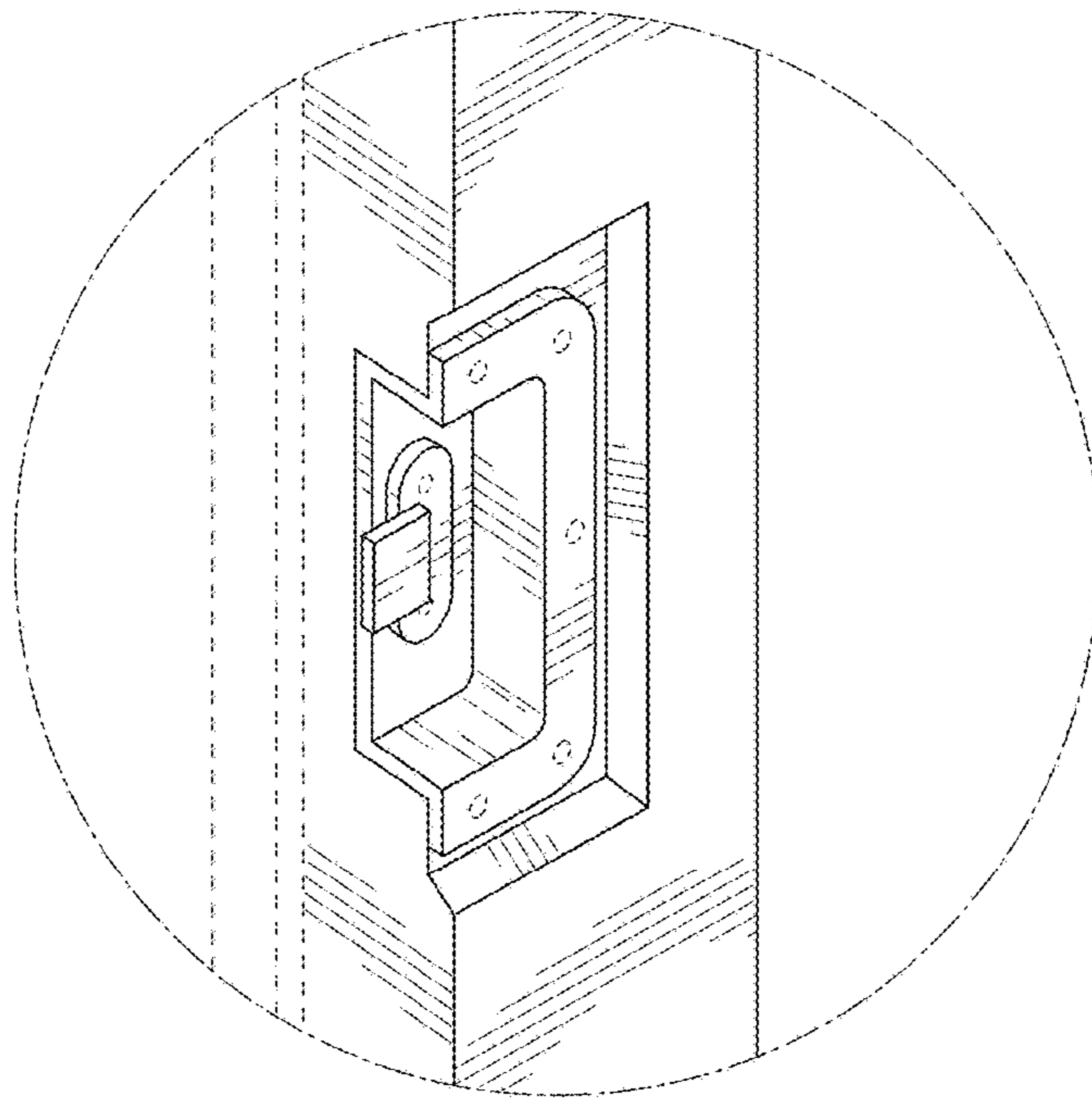


FIG. 4

UNITED STATES PATENT AND TRADEMARK OFFICE  
**CERTIFICATE OF CORRECTION**

PATENT NO. : D844,177 S  
APPLICATION NO. : 29/580172  
DATED : March 26, 2019  
INVENTOR(S) : Tony Michael Martin

Page 1 of 1

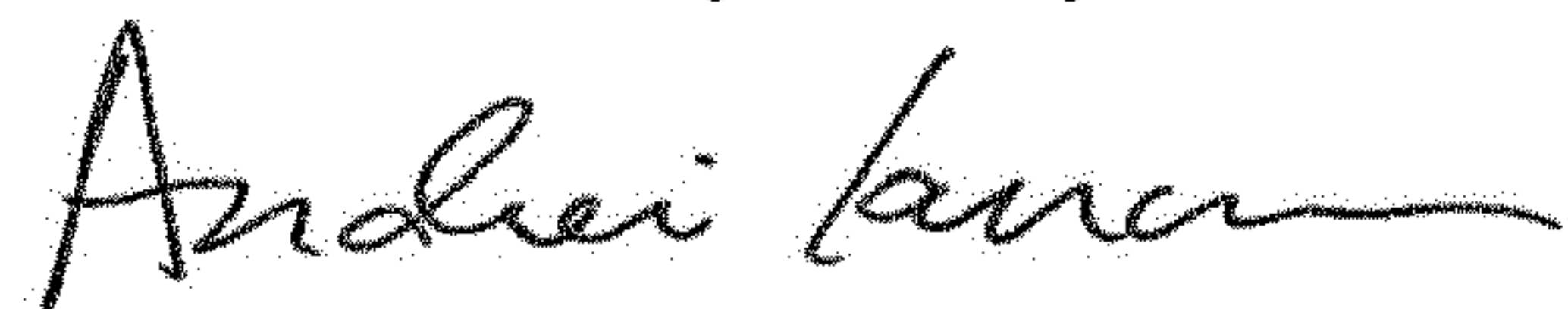
It is certified that error appears in the above-identified patent and that said Letters Patent is hereby corrected as shown below:

On the Title Page

Under Description, 3rd paragraph, after the words “within circle 3; and”, please delete “;”

Under Description, 7th paragraph, after the words “FIGS. 1 and”, please insert --2--

Signed and Sealed this  
Second Day of July, 2019



Andrei Iancu  
*Director of the United States Patent and Trademark Office*