



US00D844176S

(12) **United States Design Patent** (10) **Patent No.:** **US D844,176 S**
Allen et al. (45) **Date of Patent:** **** Mar. 26, 2019**

(54) **DOOR FACING**
(71) Applicant: **Masonite Corporation**, Tampa, FL (US)
(72) Inventors: **Robert C. Allen**, Elburn, IL (US);
Jason M. Walsh, Batavia, IL (US);
Dale W. Mayfield, Tampa, FL (US)
(73) Assignee: **Masonite Corporation**, Tampa, FL (US)
(**) Term: **15 Years**
(21) Appl. No.: **29/627,533**
(22) Filed: **Nov. 28, 2017**

1,039,371 A * 9/1912 Ellis E06B 3/02
52/455
1,150,755 A * 8/1915 Frey et al. B64C 1/1492
52/455
1,391,949 A * 9/1921 Gogay E06B 3/5892
52/455

(Continued)

FOREIGN PATENT DOCUMENTS

EM 001393474-0011 * 1/2014

OTHER PUBLICATIONS

<http://knockoutrenovation.wordpress.com/panel-doors/> Available Jun. 3, 2014.

(Continued)

Primary Examiner — Leanne Was-Englehart
(74) *Attorney, Agent, or Firm* — Berenato & White, LLC

Related U.S. Application Data

(60) Division of application No. 29/564,916, filed on May 17, 2016, now Pat. No. Des. 804,057, which is a continuation of application No. 29/516,422, filed on Feb. 2, 2015, now Pat. No. Des. 756,534.
(51) **LOC (11) Cl.** **25-02**
(52) **U.S. Cl.**
USPC **D25/48.3**
(58) **Field of Classification Search**
USPC D25/48.3, 48.4, 48.5, 48.6, 48.7, 48.8,
D25/138
CPC E06B 3/58; E06B 3/72; E06B 3/78; E06B
3/485; E06B 3/4636; E06B 3/5892; E06B
2003/7044; E06B 1/04; E06B 5/00
See application file for complete search history.

(57) **CLAIM**

The ornamental design for a door facing, as shown and described.

DESCRIPTION

FIG. 1 is a front perspective view of our design;
FIG. 2 is a front elevational view;
FIG. 3 is a rear elevational view;
FIG. 4 is a top plan view;
FIG. 5 is a bottom plan view;
FIG. 6 is a cross sectional view taken along the line 6-6 of FIG. 2 and viewed in the direction of the arrows;
FIG. 7 is an enlarged fragmentary cross sectional view taken from FIG. 6;

(Continued)

(56) **References Cited**
U.S. PATENT DOCUMENTS

926,361 A * 6/1909 Sjobring E06B 3/5892
52/455

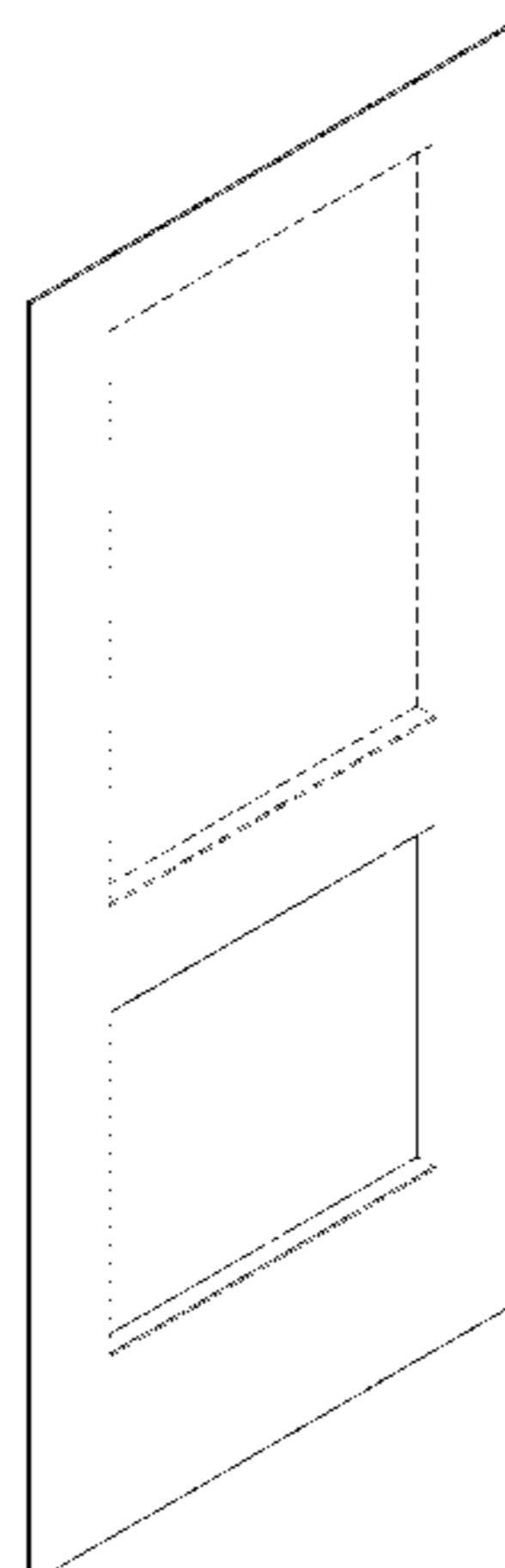


FIG. 8 is a left side plan view;
FIG. 9 is a right side plan view; and,
FIG. 10 is a cross sectional view taken along the line 10-10
of FIG. 2 and viewed in the direction of the arrows.
The broken lines depict portions of the door facing that form
no part of the claimed design. The broken line circles in
FIGS. 6 and 7 indicate a boundary of the enlarged view and
form no part of the claimed design.

1 Claim, 5 Drawing Sheets

D585,144	S	*	1/2009	Steiber	D25/48.3
D587,815	S	*	3/2009	Steiber	D25/48.3
D665,099	S		8/2012	Paxton		
D692,582	S		10/2013	Paxton		
D735,888	S		8/2015	Gouge		
D736,409	S		8/2015	Gouge		
D756,534	S	*	5/2016	Allen	D25/48.3
D796,060	S	*	8/2017	Cox	D25/48.3
D797,312	S	*	9/2017	Cox	D25/48.3
D797,954	S	*	9/2017	Allen	D25/48.3
D804,057	S	*	11/2017	Allen	D25/48.3
D819,227	S	*	5/2018	Cox	D25/48.3
2003/0140587	A1		7/2003	Smith		
2012/0141717	A1	*	6/2012	Overton	E06B 3/7001 428/57

(56)

References Cited

U.S. PATENT DOCUMENTS

1,771,304	A	*	7/1930	MacGruder	E06B 5/16 52/455
D576,740	S		9/2008	Steiber		
D585,143	S	*	1/2009	Steiber	D25/48.3

OTHER PUBLICATIONS

[http://heritagemillworkinc.com/blog/portfolio—view/primed-doors/—](http://heritagemillworkinc.com/blog/portfolio—view/primed-doors/)
published Sep. 15, 2013.

* cited by examiner

FIG. 1

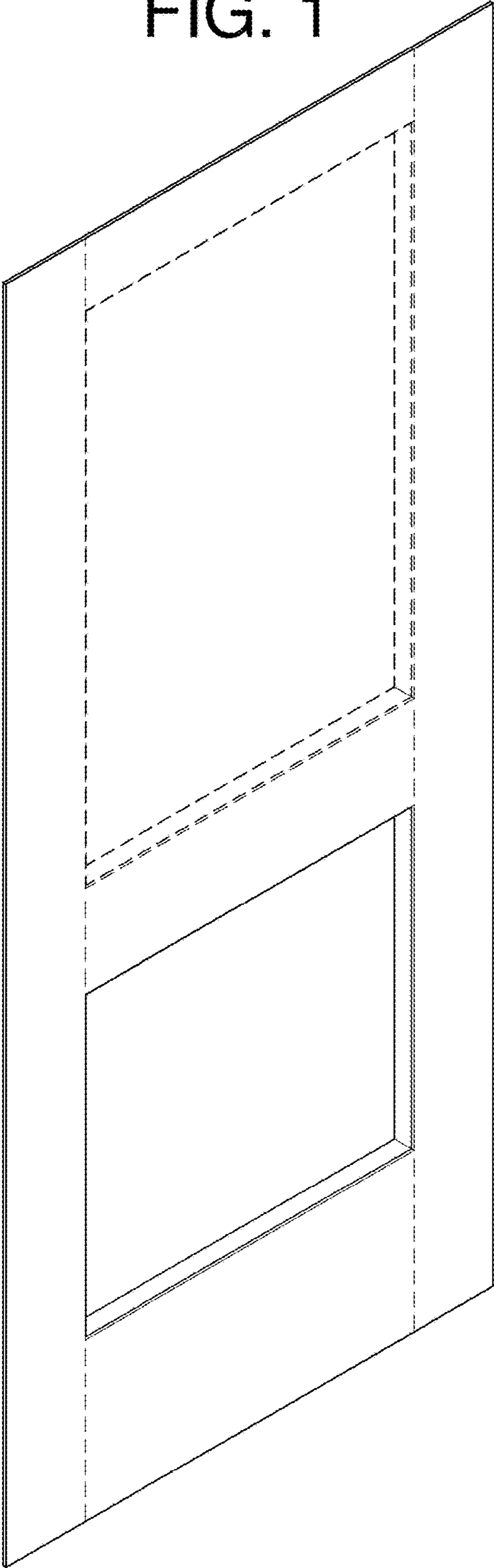


FIG. 2

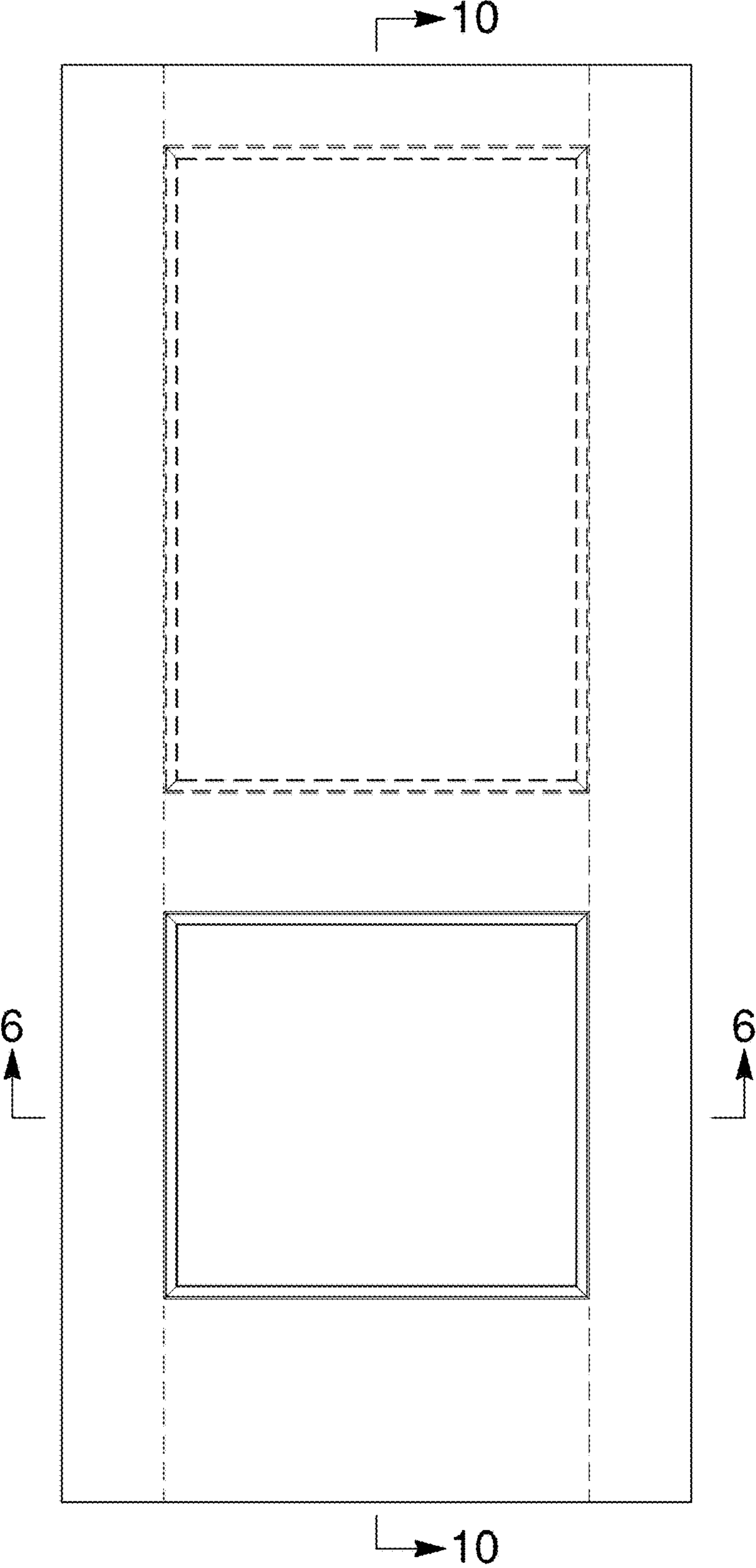


FIG. 3

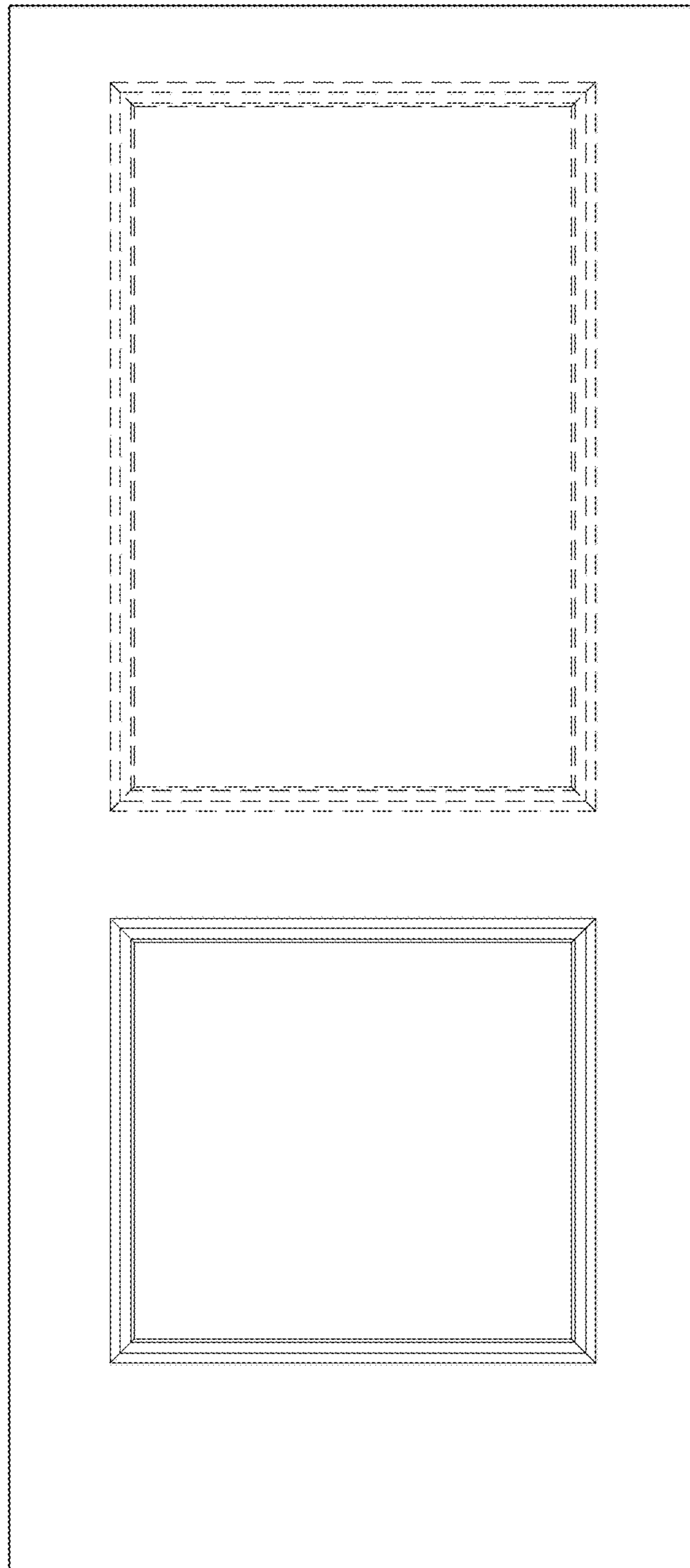


FIG. 4

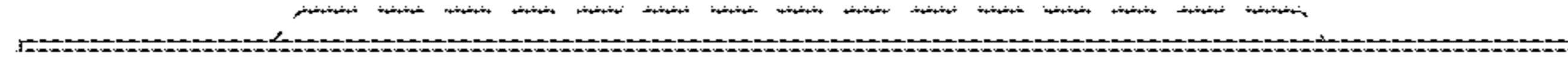


FIG. 5

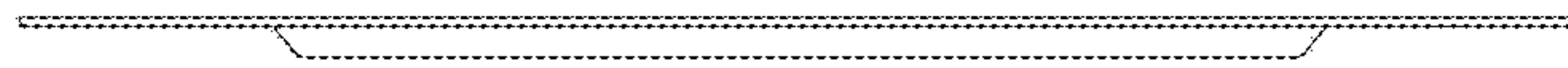


FIG. 6

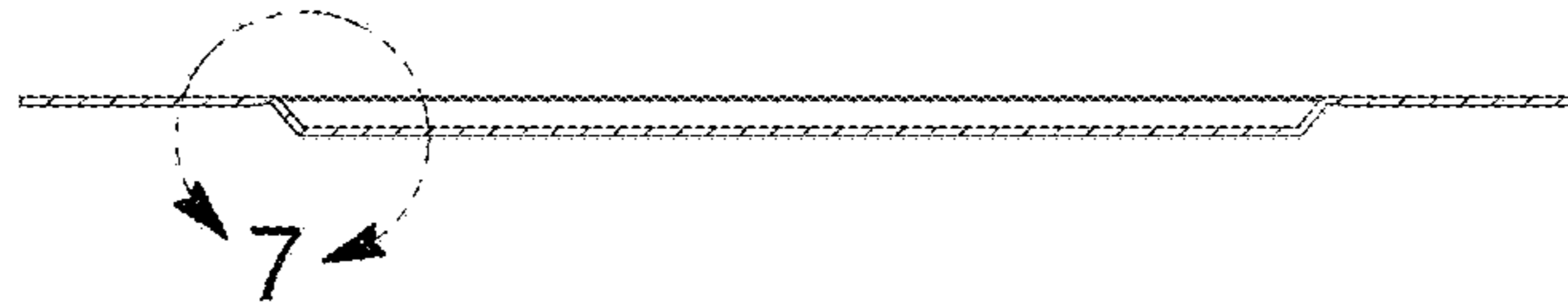


FIG. 7

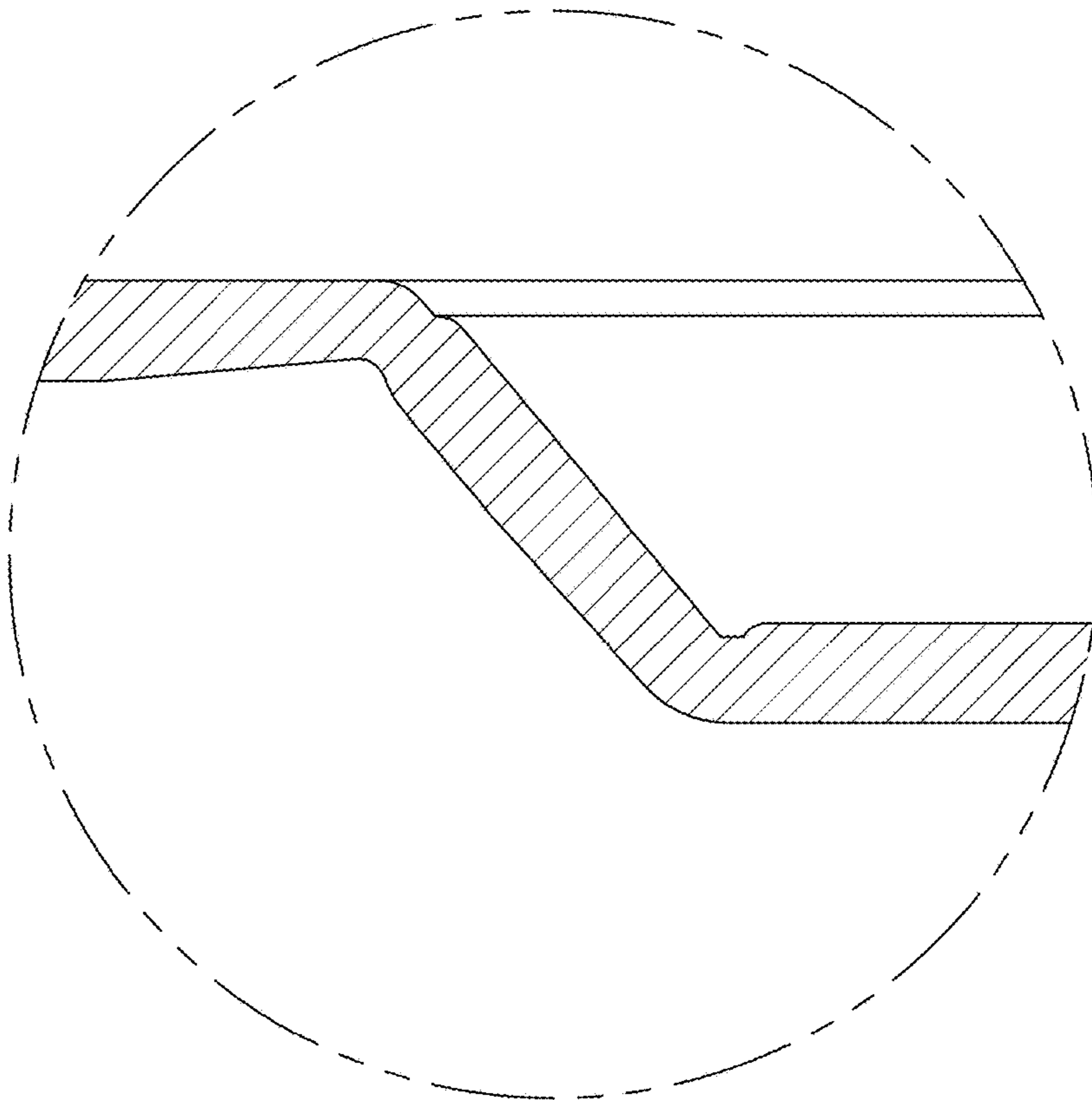


FIG. 8

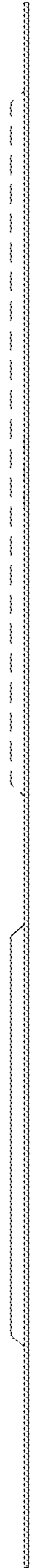


FIG. 9

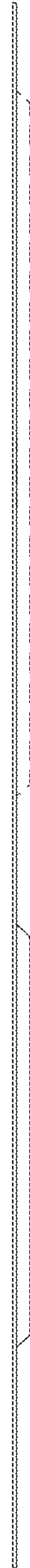


FIG. 10

