



US00D844170S

(12) **United States Design Patent**
Gill et al.

(10) **Patent No.:** **US D844,170 S**

(45) **Date of Patent:** **** *Mar. 26, 2019**

(54) **MODULAR BUILDING**

(71) Applicant: **KwikSpace Guam**, Hagatna, GU (US)

(72) Inventors: **Peter E. Gill**, Tamuning, GU (US);
Peter E. Gill, III, Tamuning, GU (US)

(73) Assignee: **KWIKSPACE GUAM**, Hagatna, GU (US)

(*) Notice: This patent is subject to a terminal disclaimer.

(**) Term: **15 Years**

(21) Appl. No.: **29/580,674**

(22) Filed: **Oct. 12, 2016**

(51) **LOC (11) Cl.** **25-03**

(52) **U.S. Cl.**
USPC **D25/33**

(58) **Field of Classification Search**
USPC D25/1, 4, 16, 18, 22, 23, 30, 32, 33, 34;
D34/28

CPC ... E04H 1/005; E04H 1/04; E04H 2001/1283;
E04H 5/02; E04H 1/1238; E04C 3/30;
E04C 3/32; E04C 3/34; E04C 3/36; E04B
1/04; E04B 1/18; E04B 1/20; E04B
1/3431; B63B 25/004

See application file for complete search history.

(56) **References Cited**

U.S. PATENT DOCUMENTS

- 3,023,463 A * 3/1962 Bigelow, Jr. E04B 1/34357
D25/33
- 3,095,616 A * 7/1963 Bigelow, Jr. B60P 3/34
D25/33

- D221,068 S * 7/1971 Kudamatsu D25/22
- 3,719,386 A * 3/1973 Puckett E04B 3/3431
296/26.13
- 4,312,159 A * 1/1982 Paul E04B 1/3431
D25/1
- 5,069,338 A * 12/1991 Grigsby B65D 5/446
206/319
- 5,269,455 A * 12/1993 Grigsby B65D 19/06
206/386
- 5,706,614 A 1/1998 Wiley, Jr. et al.
- 8,001,730 B2 8/2011 Wallace
- D771,272 S * 11/2016 Hart D25/1
- D781,440 S * 3/2017 Gill D25/1
- 2013/0305629 A1 * 11/2013 Stephenson E04H 1/005
52/79.9

* cited by examiner

Primary Examiner — Brett Miller

(74) *Attorney, Agent, or Firm* — Donald J. Ersler

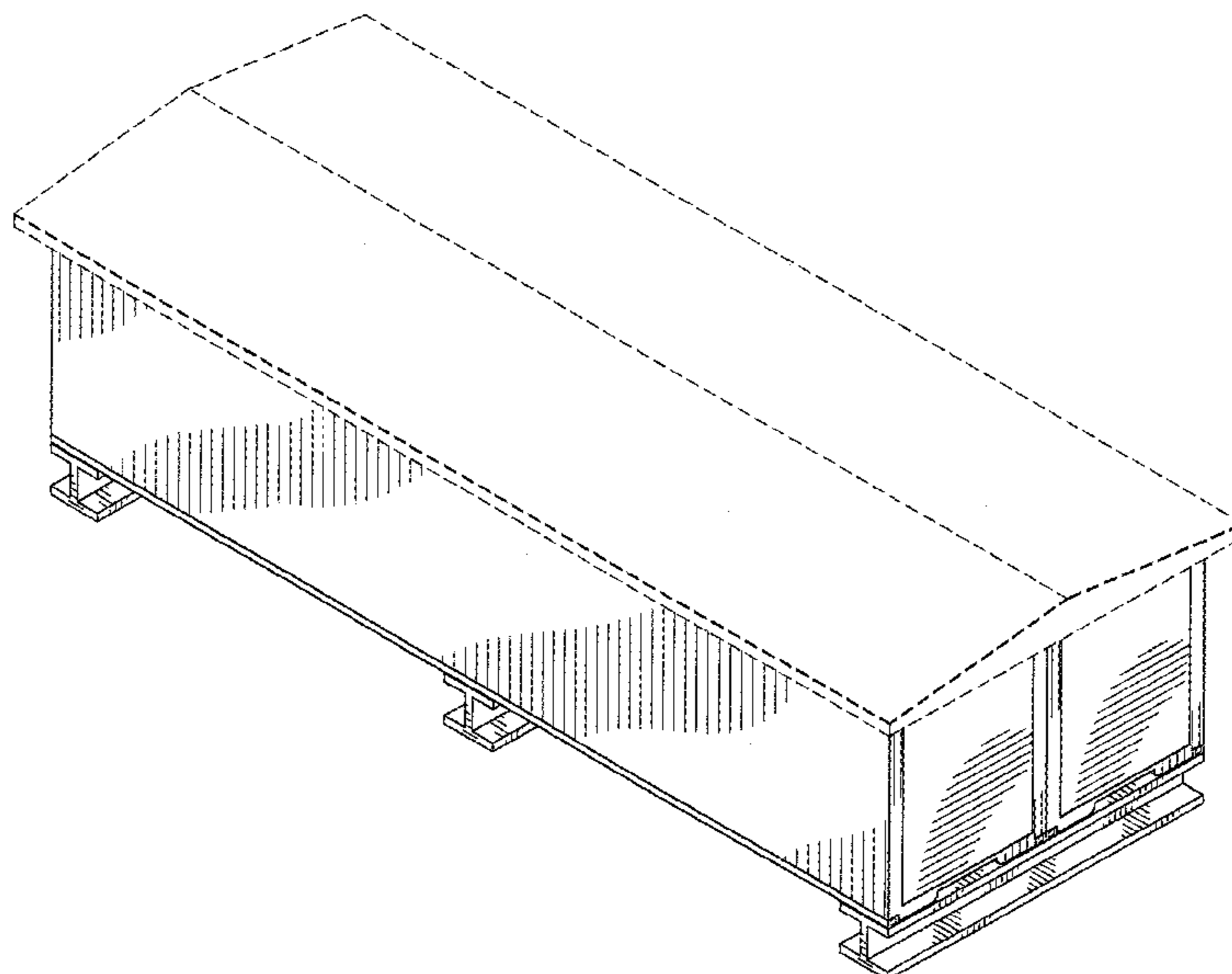
(57) **CLAIM**

The ornamental design for a modular building, as shown and described.

DESCRIPTION

FIG. 1 is a top perspective view of a modular building incorporating our new design;
 FIG. 2 is a rear bottom perspective view thereof;
 FIG. 3 is a left or right side view thereof;
 FIG. 4 is a front or rear view thereof;
 FIG. 5 is a top plan view thereof; and,
 FIG. 6 is a bottom plan view thereof.
 The broken lines shown in the drawings illustrate portions of the modular building that form no part of the claimed invention.

1 Claim, 6 Drawing Sheets



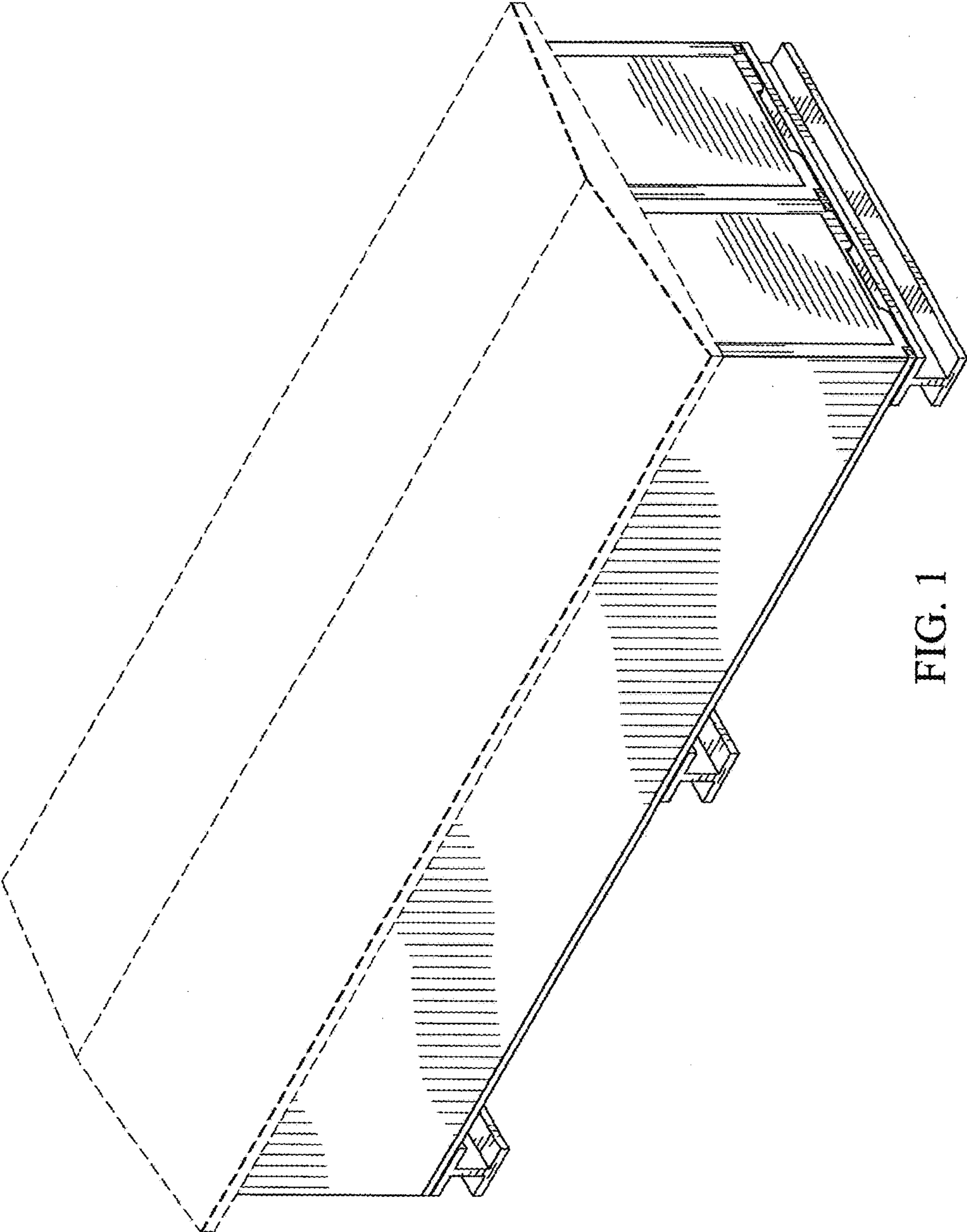


FIG. 1

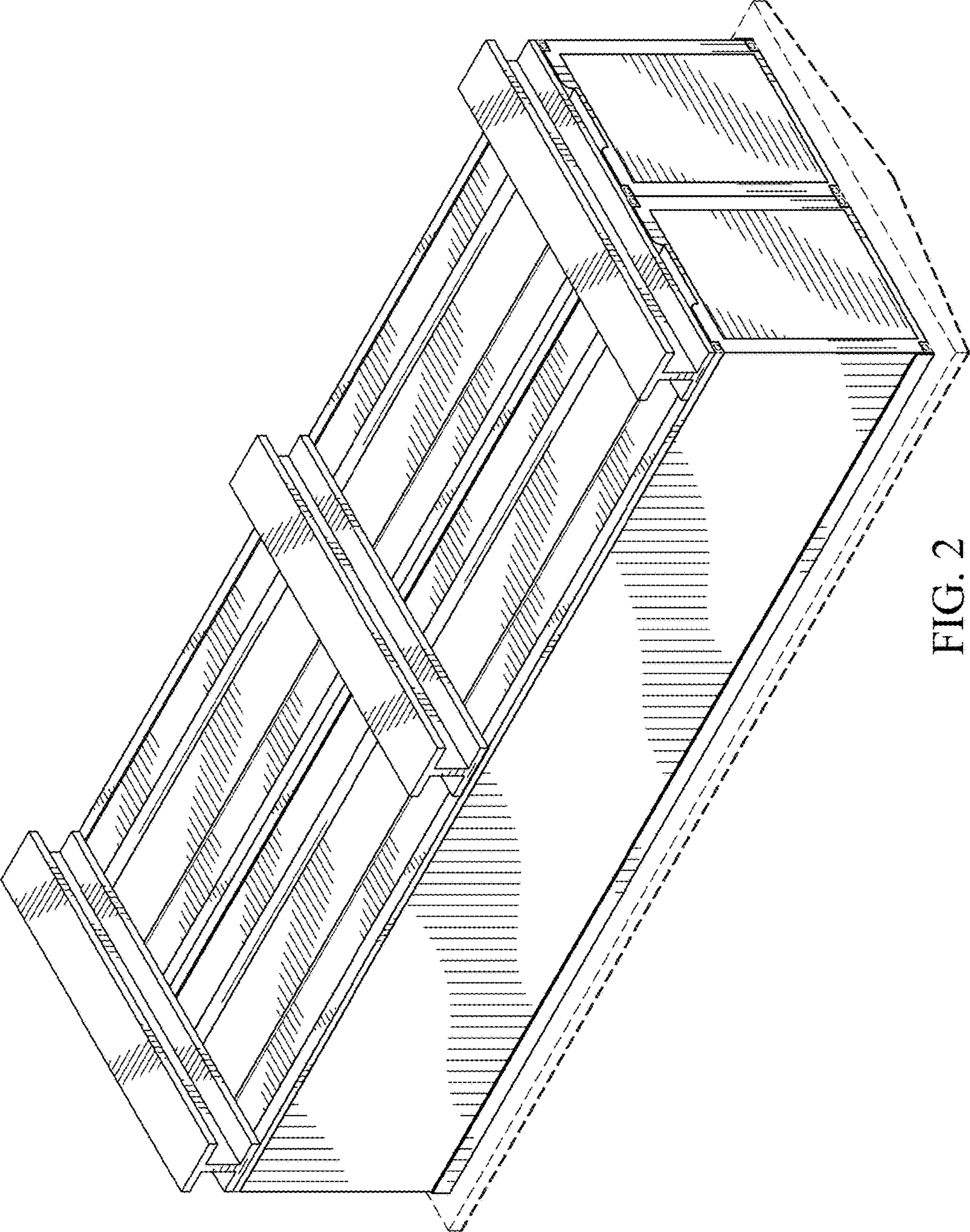


FIG. 2

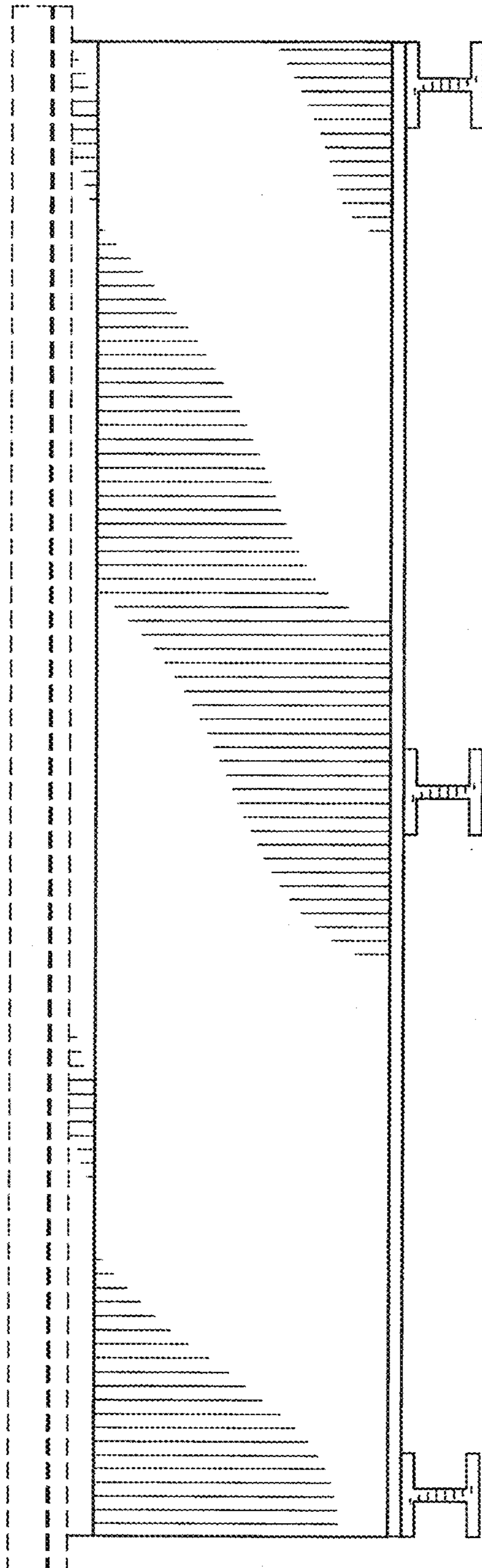


FIG. 3

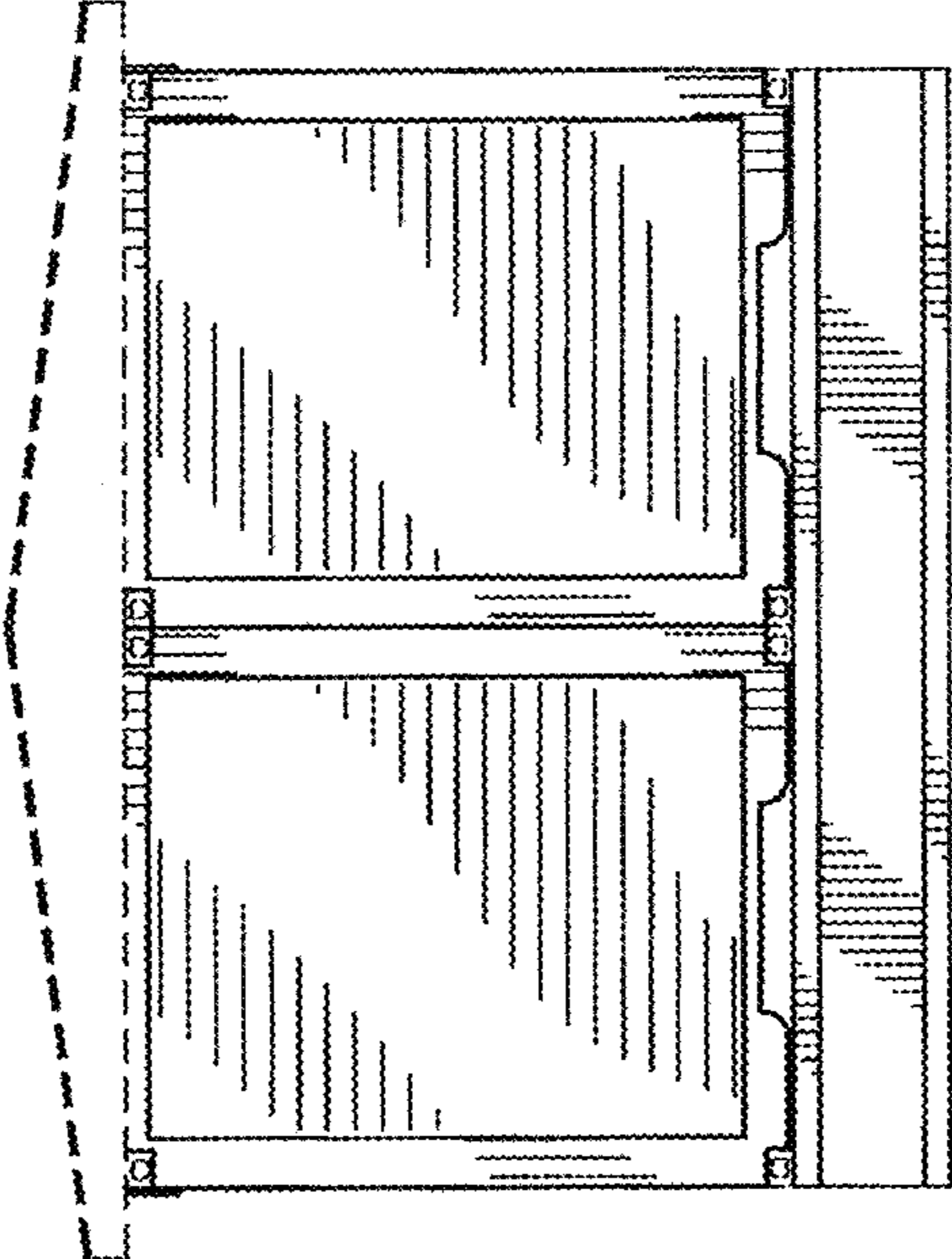


FIG. 4

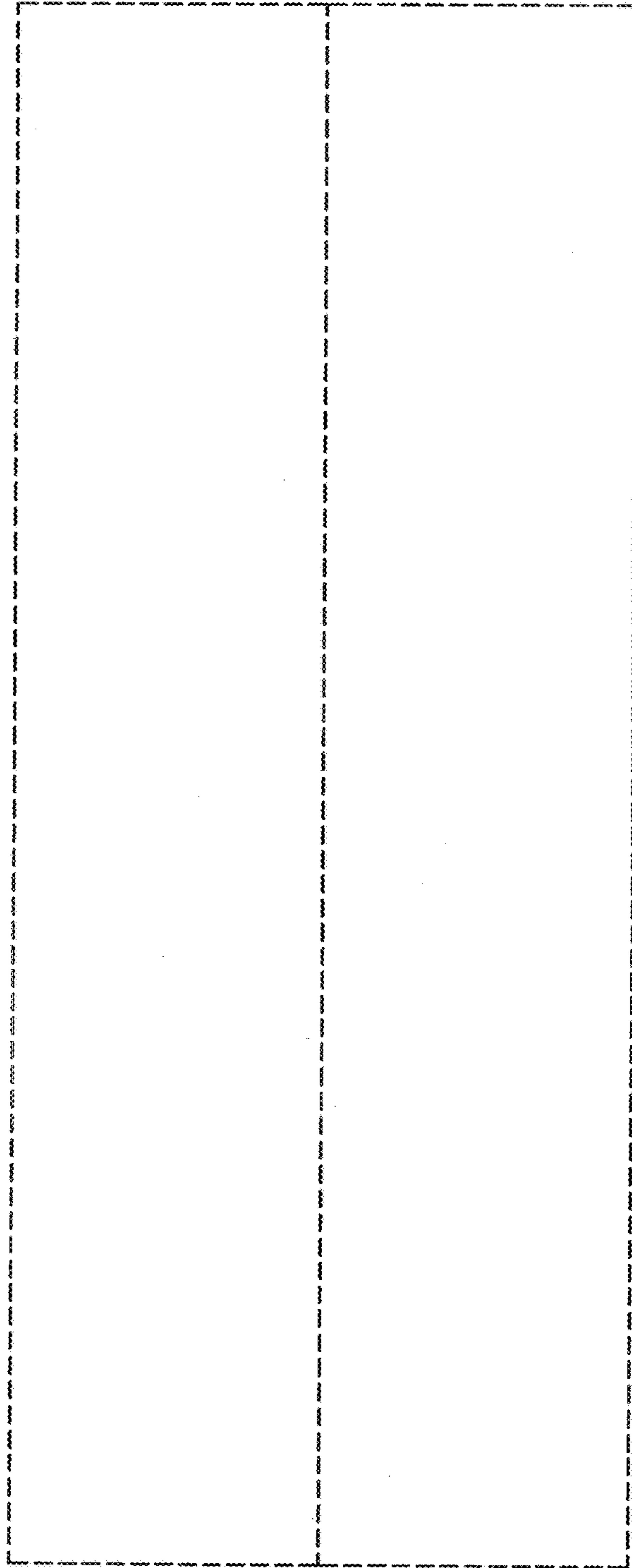


FIG. 5

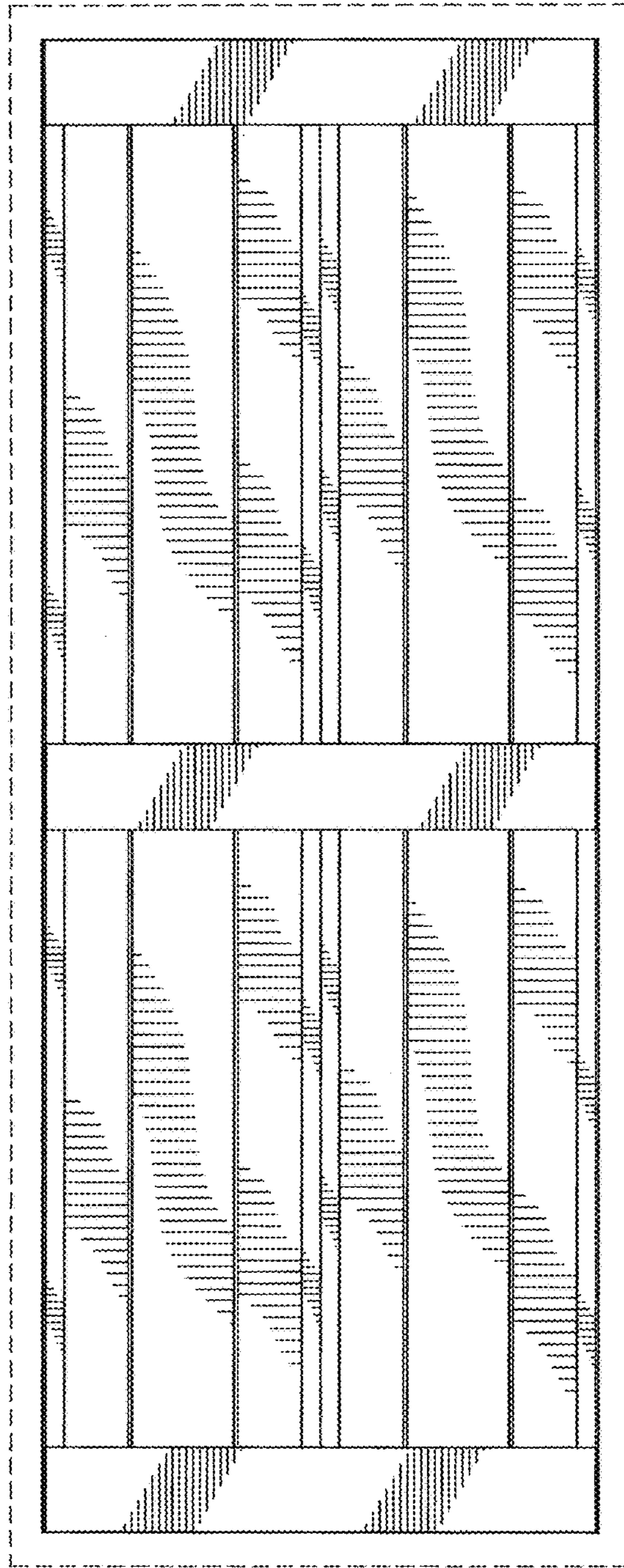


FIG. 6