



US00D844165S

(12) **United States Design Patent** (10) **Patent No.:** **US D844,165 S**
Zhu (45) **Date of Patent:** **** *Mar. 26, 2019**

(54) **PHONE BOOTH**

(56) **References Cited**

(71) Applicant: **3DS ENGINEERING
PROCUREMENT CONSTRUCTION
SUZHOU CO., LTD.**, Suzhou (CN)

(72) Inventor: **Weiwei Zhu**, Kunshan (CN)

(73) Assignee: **3DS ENGINEERING
PROCUREMENT CONSTRUCTION
SUZHOU CO., LTD.**, Suzhou (CN)

(*) Notice: This patent is subject to a terminal disclaimer.

(**) Term: **15 Years**

(21) Appl. No.: **29/606,945**

(22) Filed: **Jun. 8, 2017**

(30) **Foreign Application Priority Data**

Dec. 26, 2016 (CN) 2016 3 0646445

(51) **LOC (11) Cl.** **25-03**

(52) **U.S. Cl.**
USPC **D25/16**

(58) **Field of Classification Search**
USPC D25/1, 4, 15, 16, 18, 23, 26, 32, 33,
D25/48.3; D21/834, 837, 838; 52/79.1,
52/27.5
CPC E04H 1/1205; E04H 1/02; E04H 1/12;
E04H 9/14; E04H 9/16; E04H 15/001;
E04H 15/008; E04H 15/38; E04H
2001/1283; E04H 9/12; E04H 1/14; E04H
1/125

See application file for complete search history.

U.S. PATENT DOCUMENTS

2,353,045	A *	7/1944	Kuntz	E04H 1/14 52/145
2,581,251	A *	1/1952	Glazer	E04H 1/14 330/124 R
3,111,720	A *	11/1963	Sherron	E04H 1/14 312/223.4
D732,691	S *	6/2015	Hallfors	D25/16
D732,692	S *	6/2015	Hallfors	D25/16
D734,491	S *	7/2015	Krymov	D25/16
D742,030	S *	10/2015	Magiera	D25/33
D768,874	S *	10/2016	Walter	D25/16
D788,318	S *	5/2017	Jennings	D25/16
2017/0238528	A1 *	8/2017	Wilson	E04H 9/16

* cited by examiner

Primary Examiner — Brett Miller

(74) *Attorney, Agent, or Firm* — SZDC Law P.C.

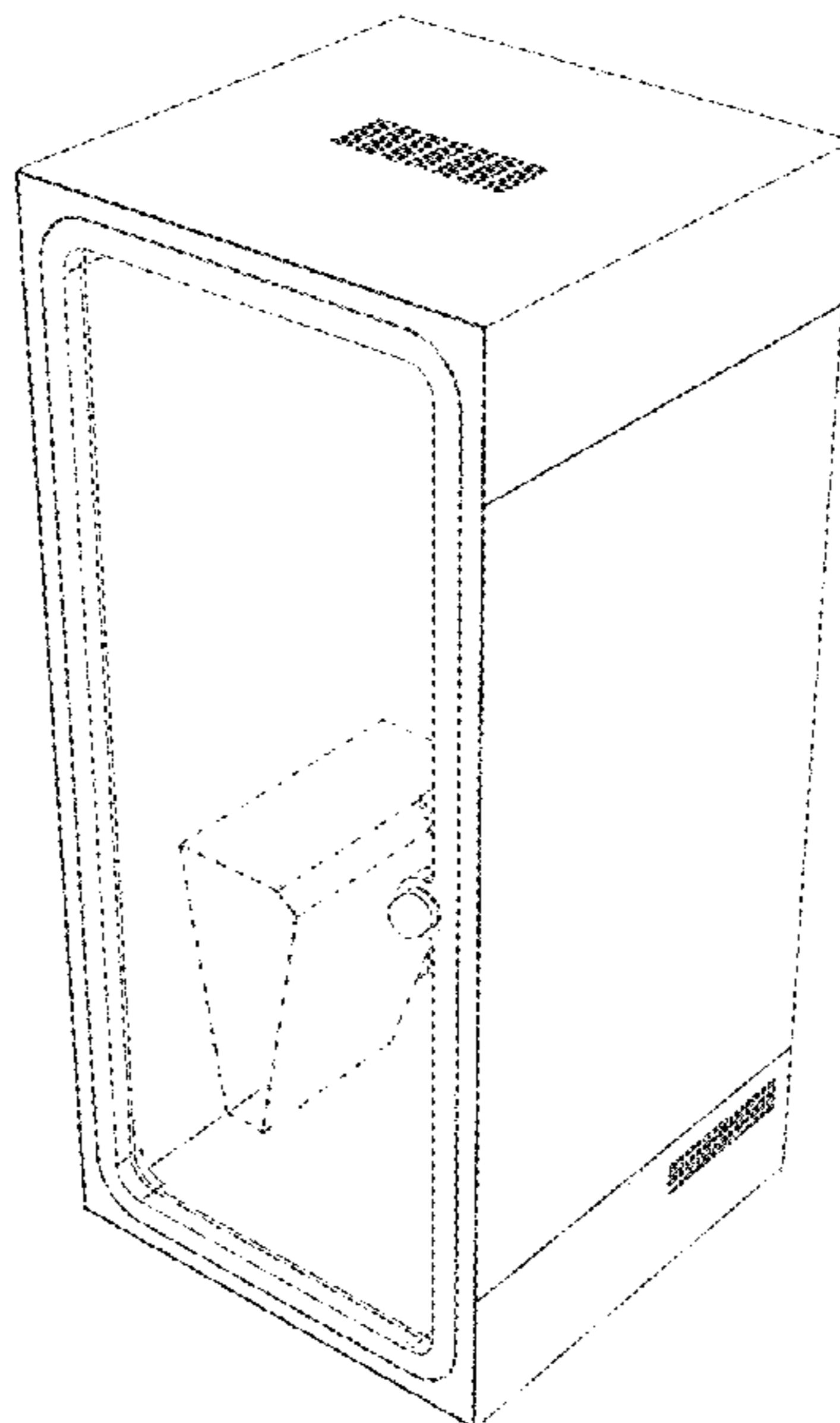
(57) **CLAIM**

The ornamental design for a phone booth, as shown and described.

DESCRIPTION

FIG. 1 is a front perspective view of a phone booth;
FIG. 2 is a front view thereof;
FIG. 3 is a back view thereof;
FIG. 4 is a left view thereof;
FIG. 5 is a right view thereof; and,
FIG. 6 is a top view thereof.
The broken lines depict portions of the phone booth that form no part of the claimed design.

1 Claim, 6 Drawing Sheets



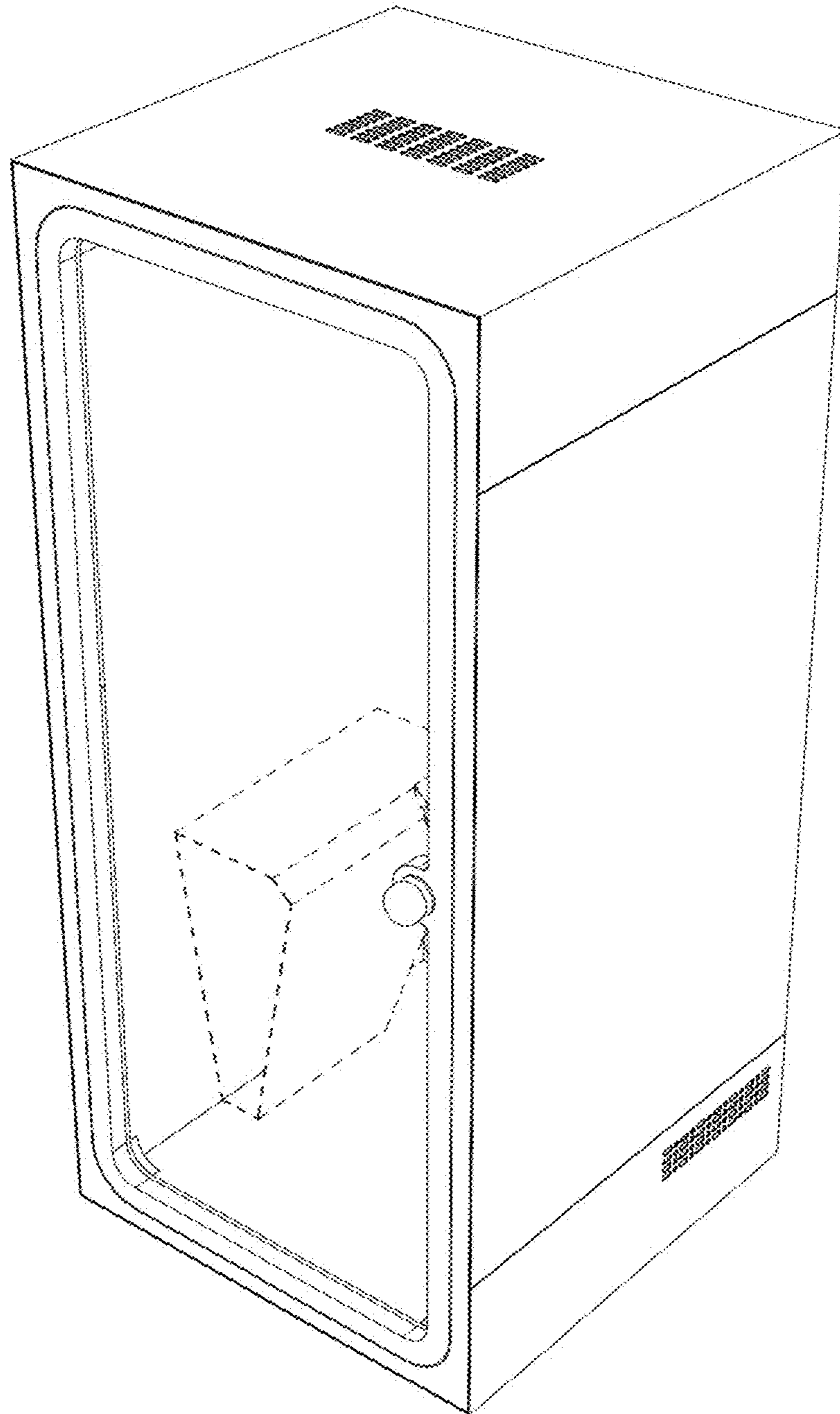


FIG. 1

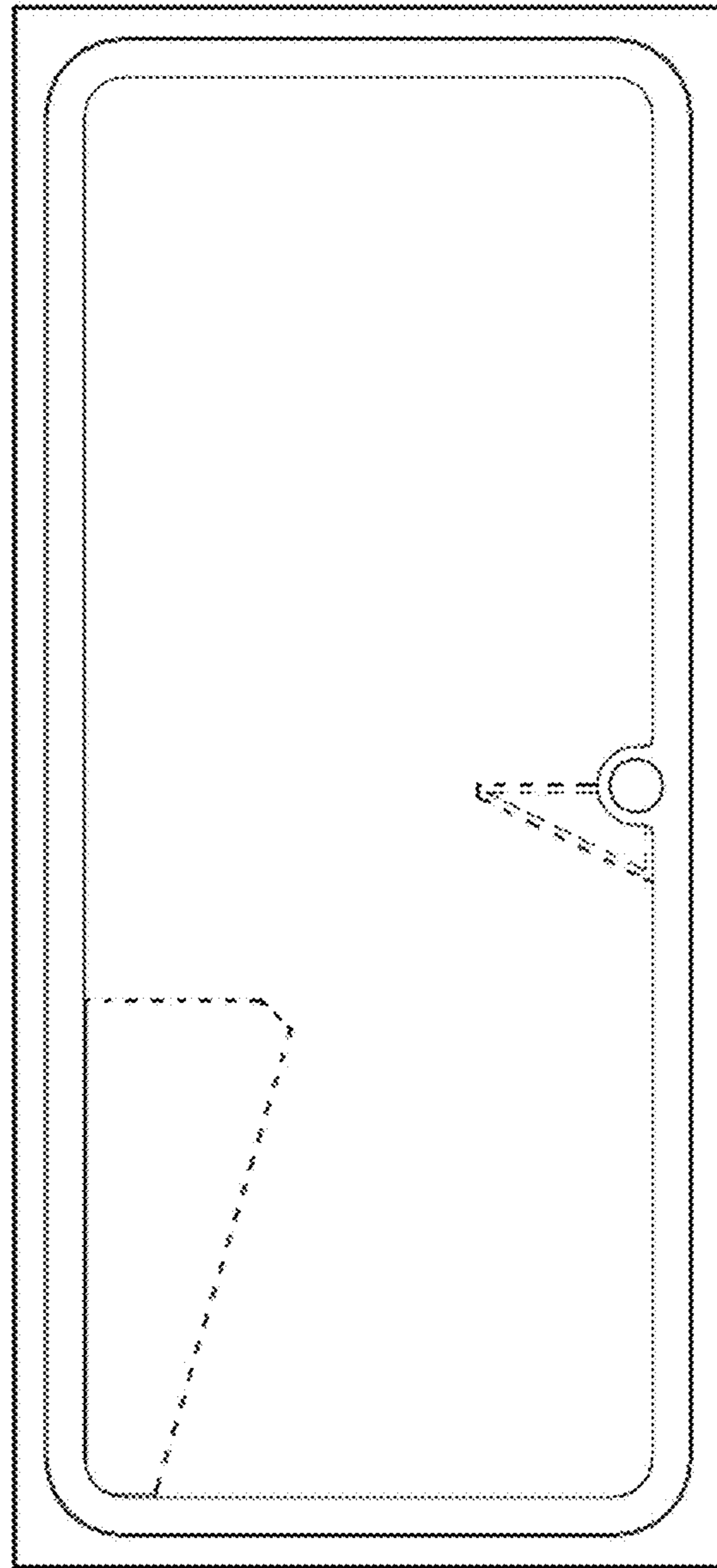


FIG. 2

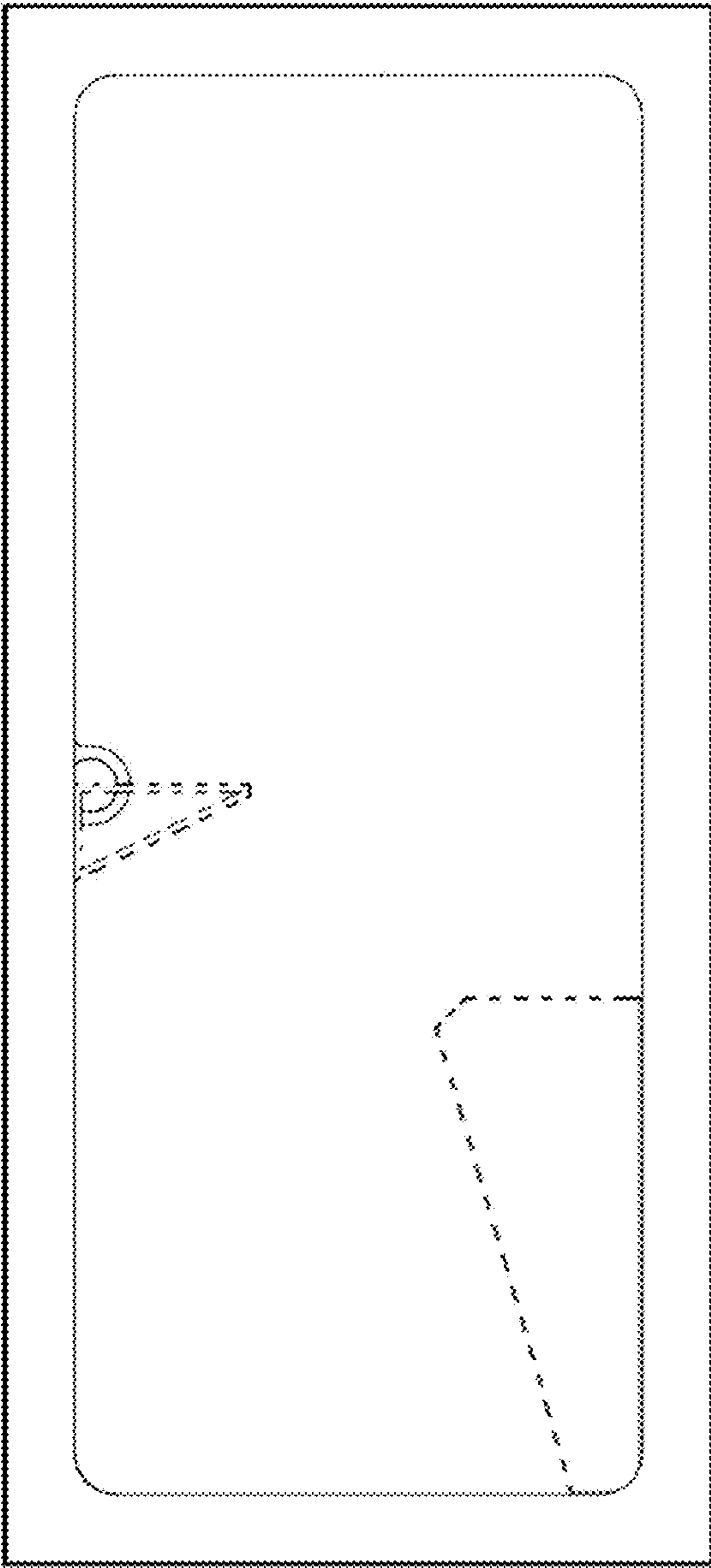


FIG. 3

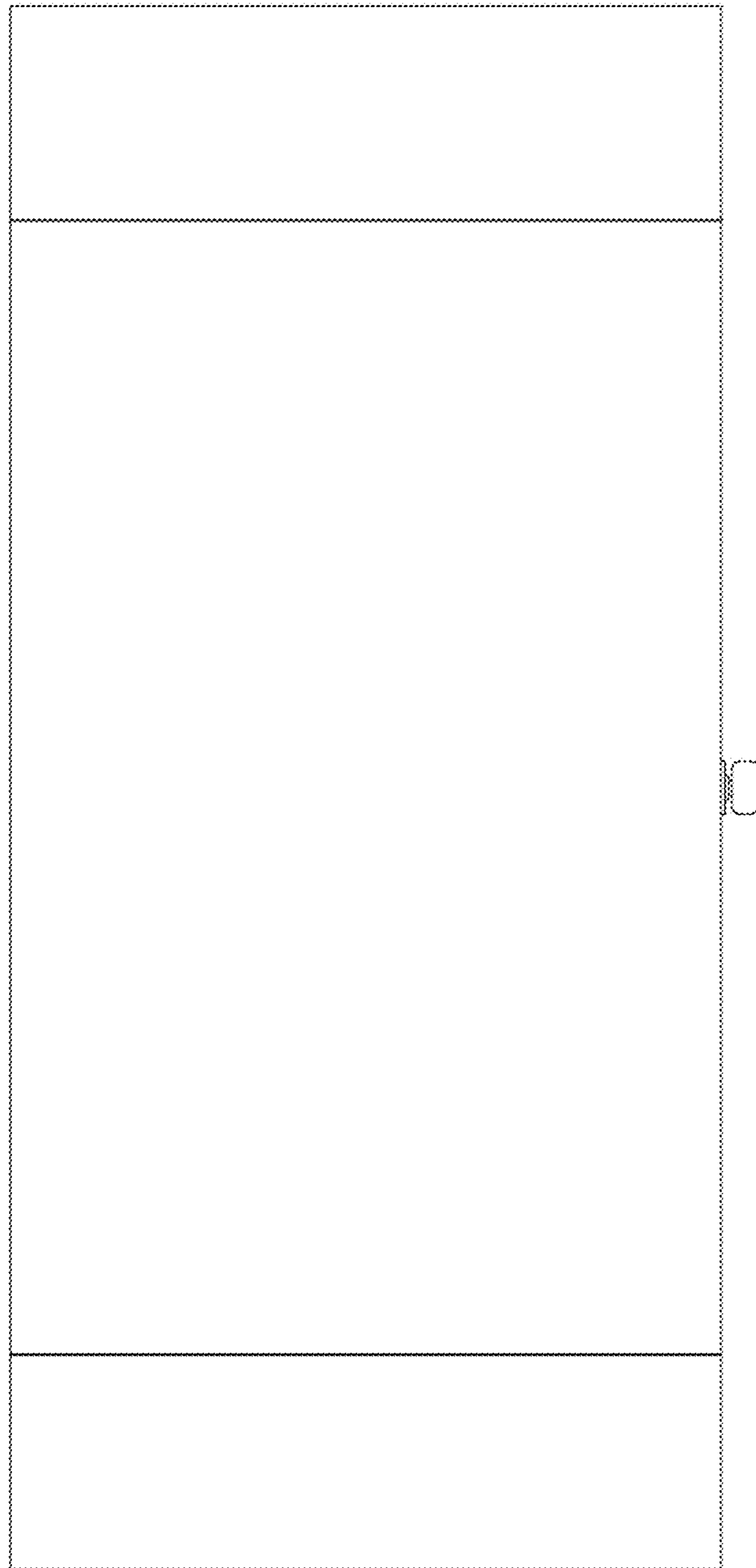


FIG. 4

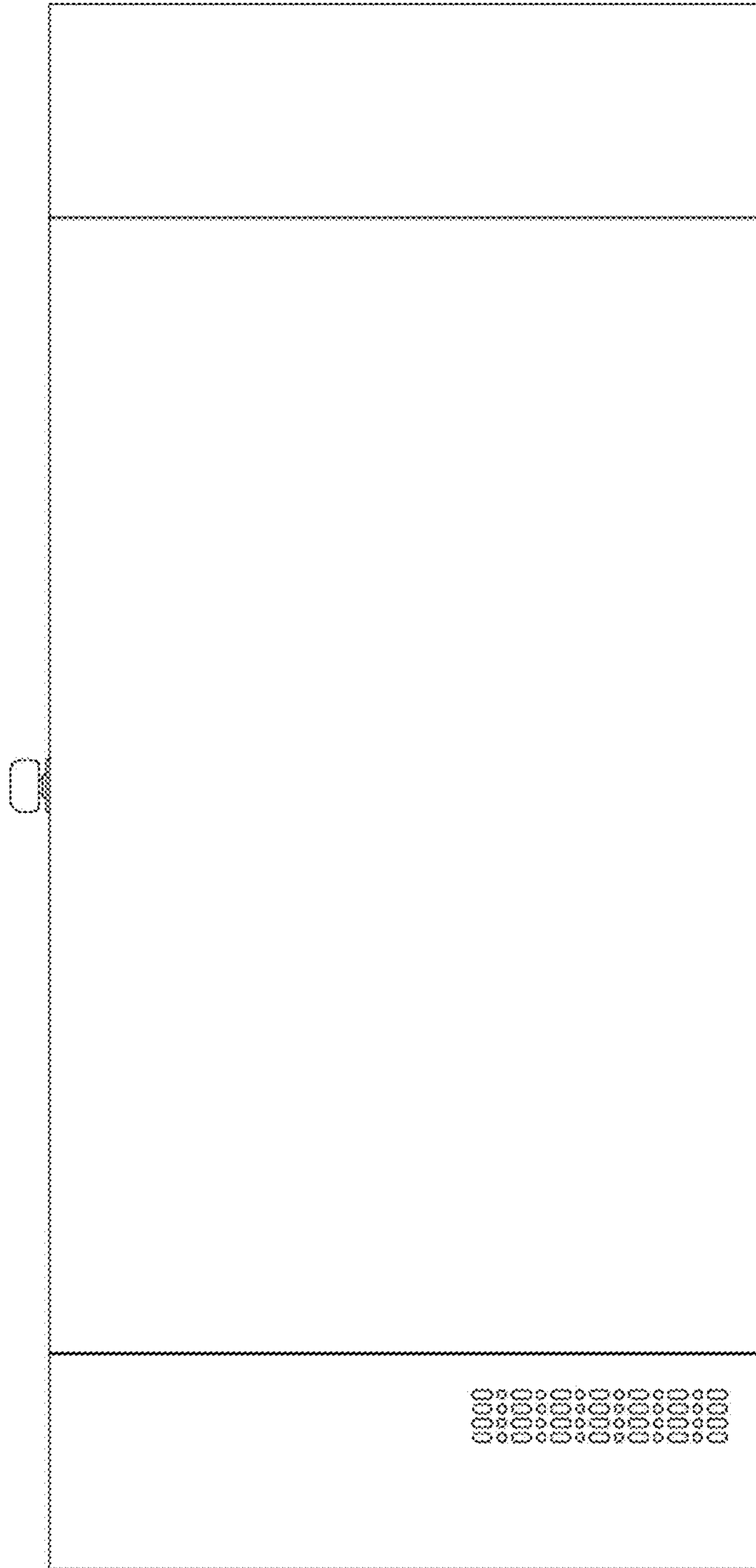


FIG. 5

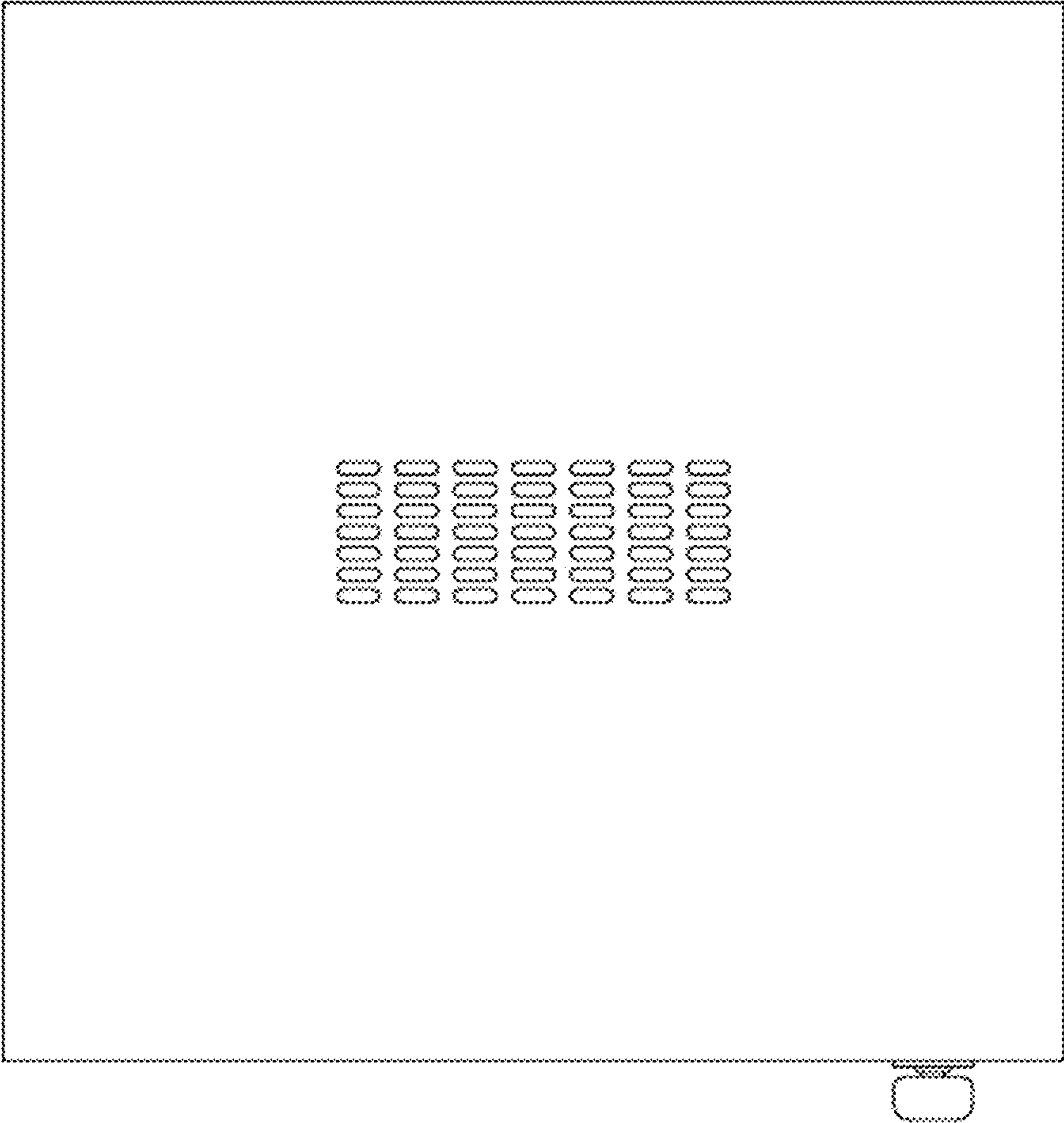


FIG. 6