

US00D844160S

(12) **United States Design Patent**  
**Bajard**

(10) **Patent No.: US D844,160 S**

(45) **Date of Patent: \*\* \*Mar. 26, 2019**

(54) **WATER BICYCLE**

(71) Applicant: **SOCIETE INDUSTRIELLE RADIO ELECTRIQUE ET MECANIQUE "SIREM"**, Miribel (FR)

(72) Inventor: **Philippe Bajard**, Lyons (FR)

(73) Assignee: **Societe Industrielle Radio Electrique Et Mecanique "Sirem"**, Miribel (FR)

(\*) Notice: This patent is subject to a terminal disclaimer.

(\*\*) Term: **15 Years**

(21) Appl. No.: **35/501,027**

(22) Filed: **Feb. 25, 2016**

(80) **Hague Agreement Data**

Int. Filing Date: **Feb. 25, 2016**

Int. Reg. No.: **DM/090707**

Int. Reg. Date: **Feb. 25, 2016**

Int. Reg. Pub. Date: **Jun. 3, 2016**

(51) **LOC (11) Cl. .... 24-02**

(52) **U.S. Cl.**

USPC ..... **D24/204**

(58) **Field of Classification Search**

USPC ..... D24/201, 204

CPC .. A01K 13/001; A01K 15/027; A61H 37/005;

A61H 1/0259; A61H 3/008; A63B 22/02;

A61G 5/125

See application file for complete search history.

(56) **References Cited**

**U.S. PATENT DOCUMENTS**

4,379,438 A \* 4/1983 Peardon ..... A01K 13/001  
119/675

4,551,108 A \* 11/1985 Bass ..... A61H 37/005  
441/116

4,670,919 A \* 6/1987 Graham ..... A61H 9/00  
4/541.3

4,993,980 A \* 2/1991 Dulin ..... A61H 37/005  
441/106

5,295,929 A \* 3/1994 Weisz ..... A63B 22/02  
4/495

6,152,855 A \* 11/2000 Dean, Jr. .... A61H 1/0259  
482/114

8,667,622 B2 \* 3/2014 Truman ..... A01K 15/027  
292/114

9,486,372 B2 \* 11/2016 Robins ..... A61G 5/125

9,561,149 B2 \* 2/2017 Johnson ..... A61H 3/008

**OTHER PUBLICATIONS**

[www.spabulous.com/product/concept/Spabike 2007](http://www.spabulous.com/product/concept/Spabike2007).\*

\* cited by examiner

*Primary Examiner* — George D Kirschbaum

(74) *Attorney, Agent, or Firm* — Holland & Hart LLP

(57) **CLAIM**

The ornamental design of a water bicycle, as shown and described.

**DESCRIPTION**

1. Water bicycle

1.1 : Perspective

1.2 : Front

1.3 : Back

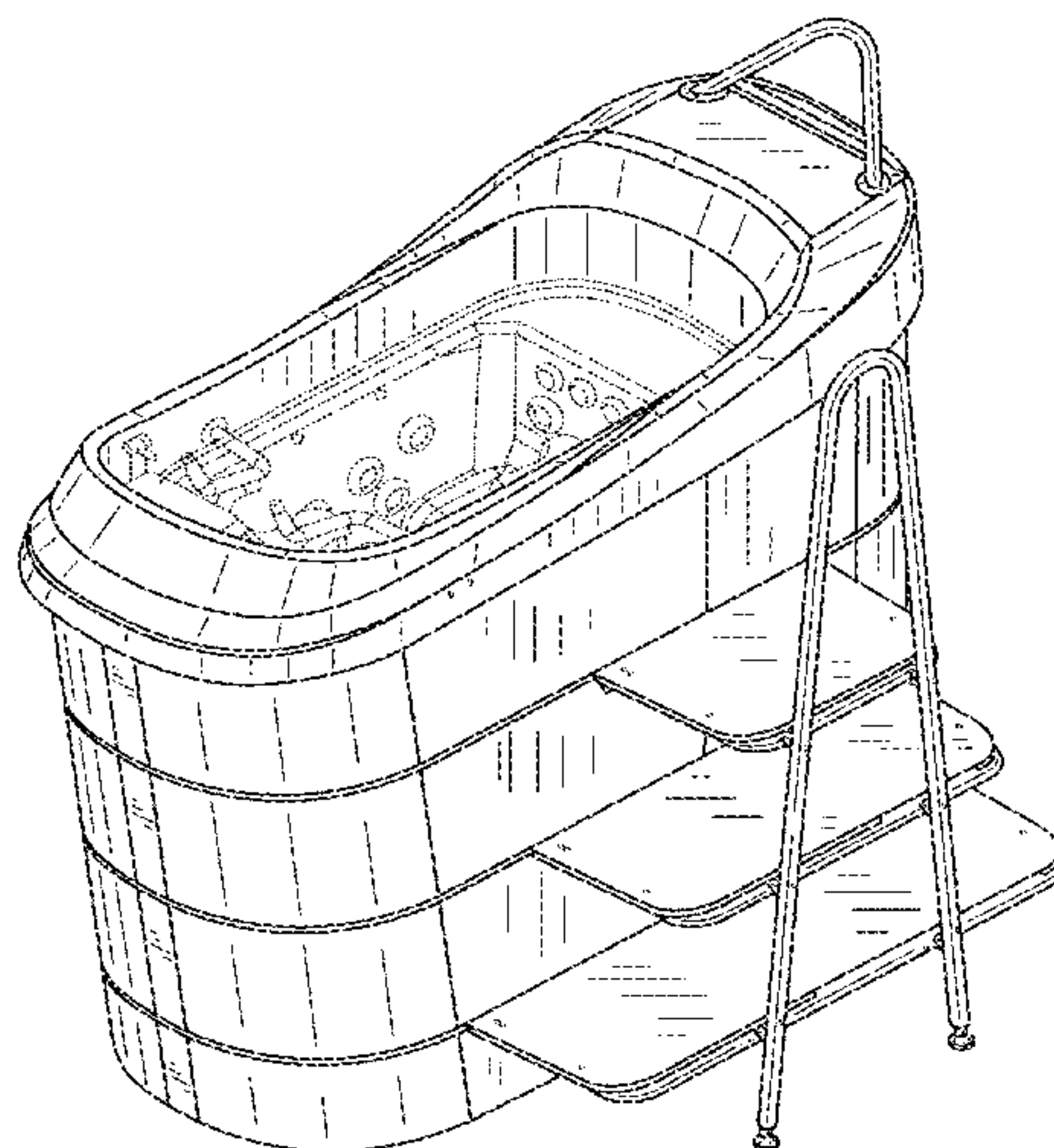
1.4 : Right

1.5 : Left

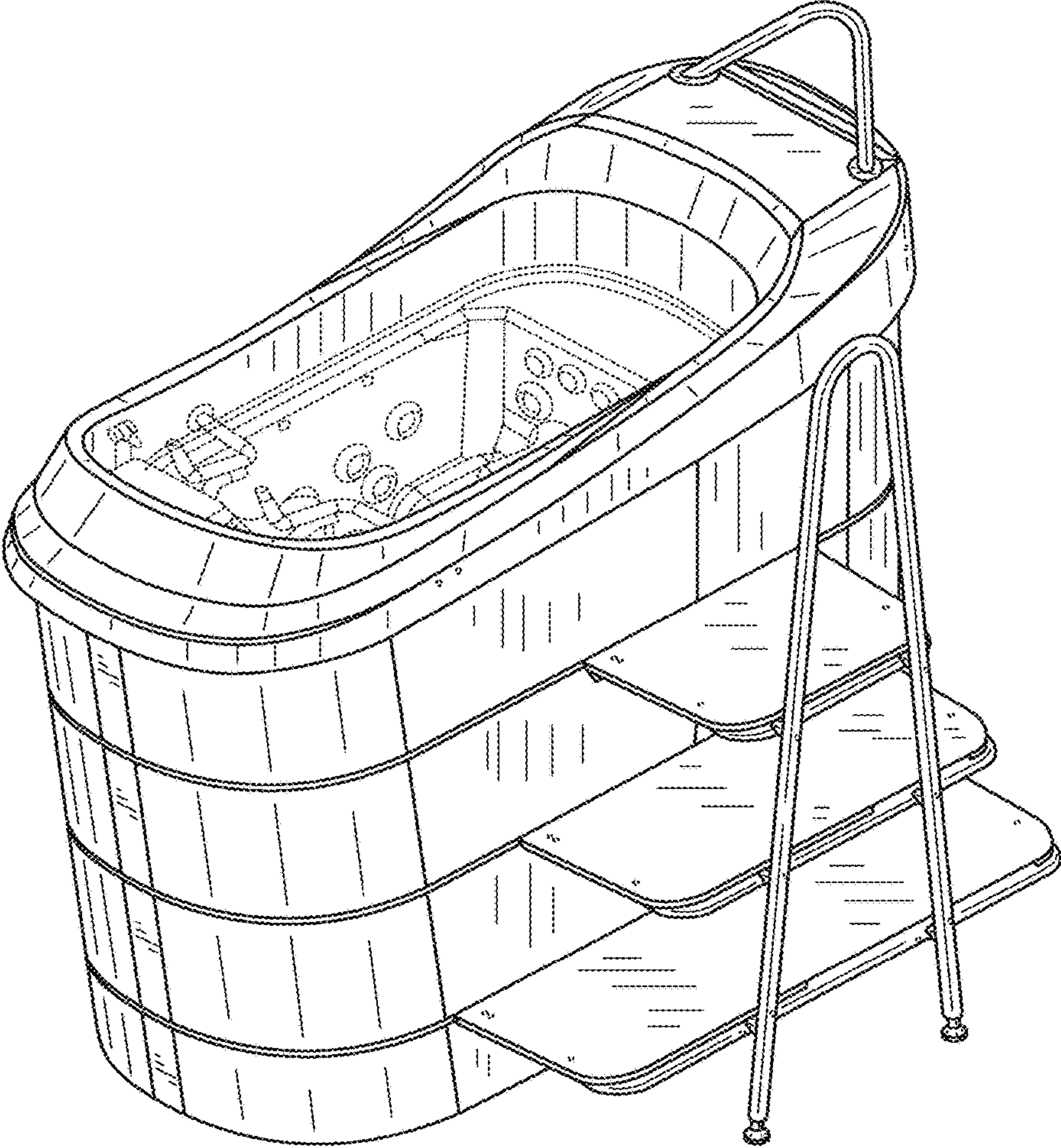
1.6 : Top

The broken line showing of controls, jets, support structures, and interior structures is included for the purpose of illustrating portions of the "article" and forms no part of the claimed design.

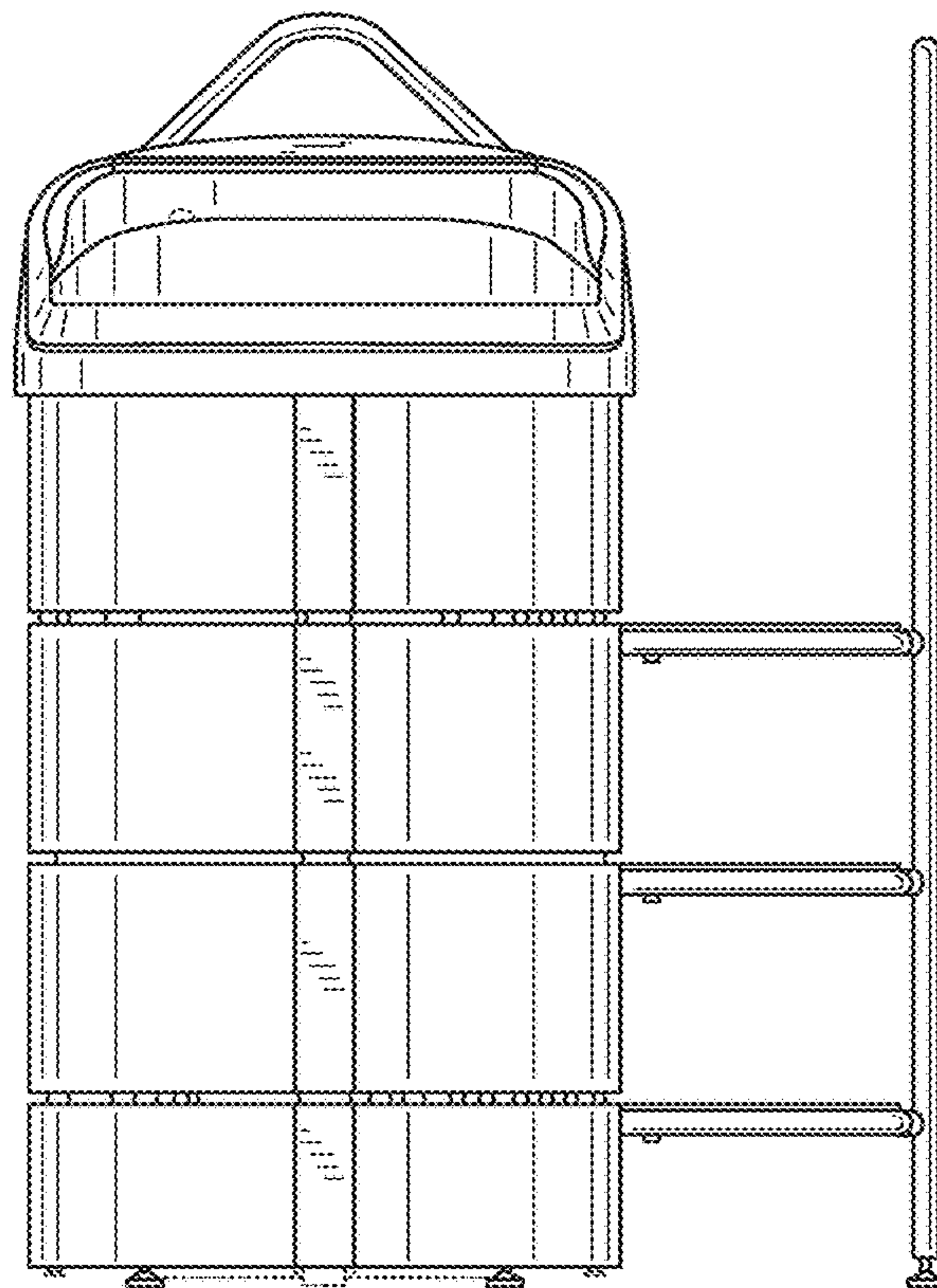
**1 Claim, 6 Drawing Sheets**



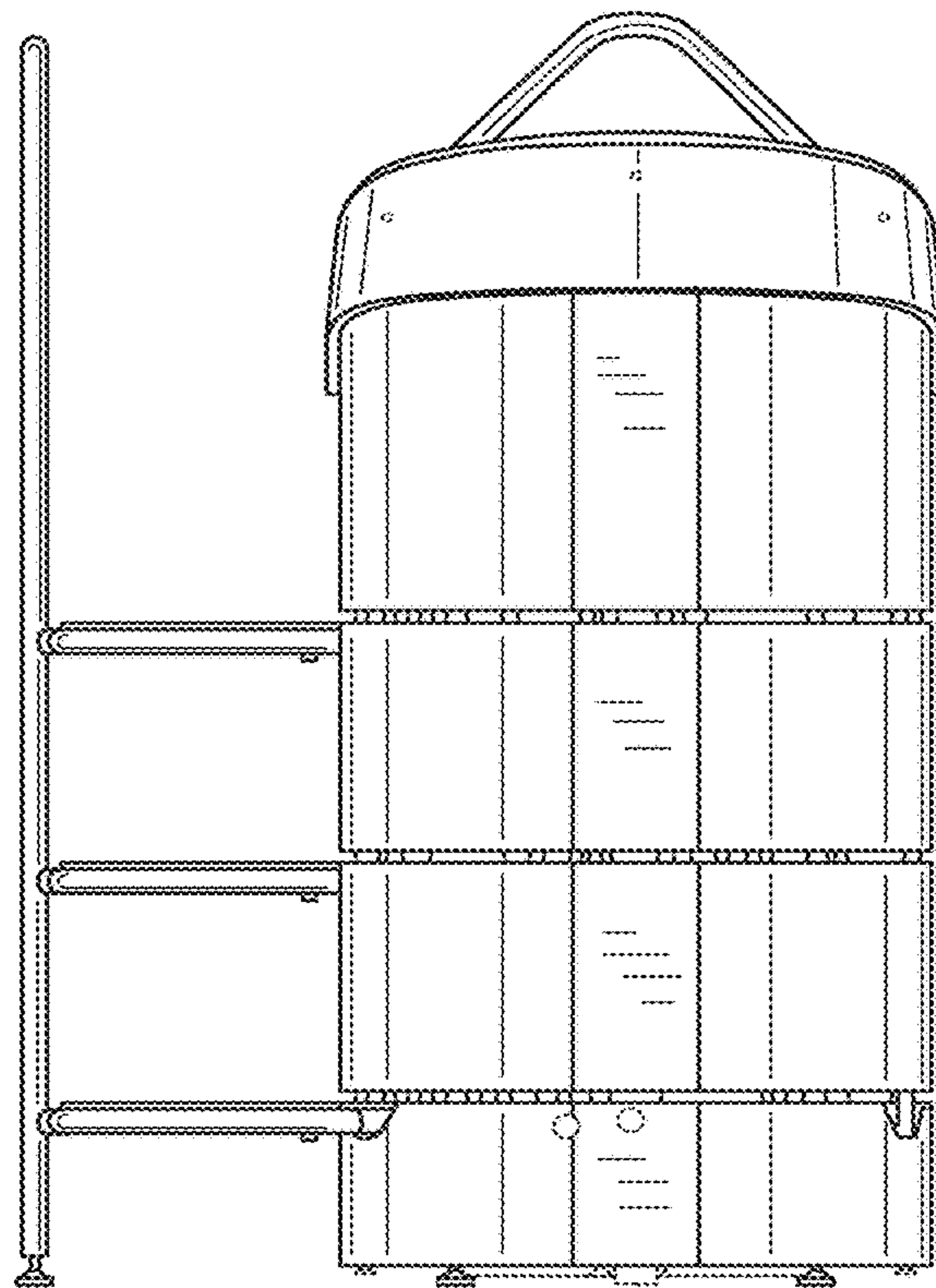
1.1



1.2

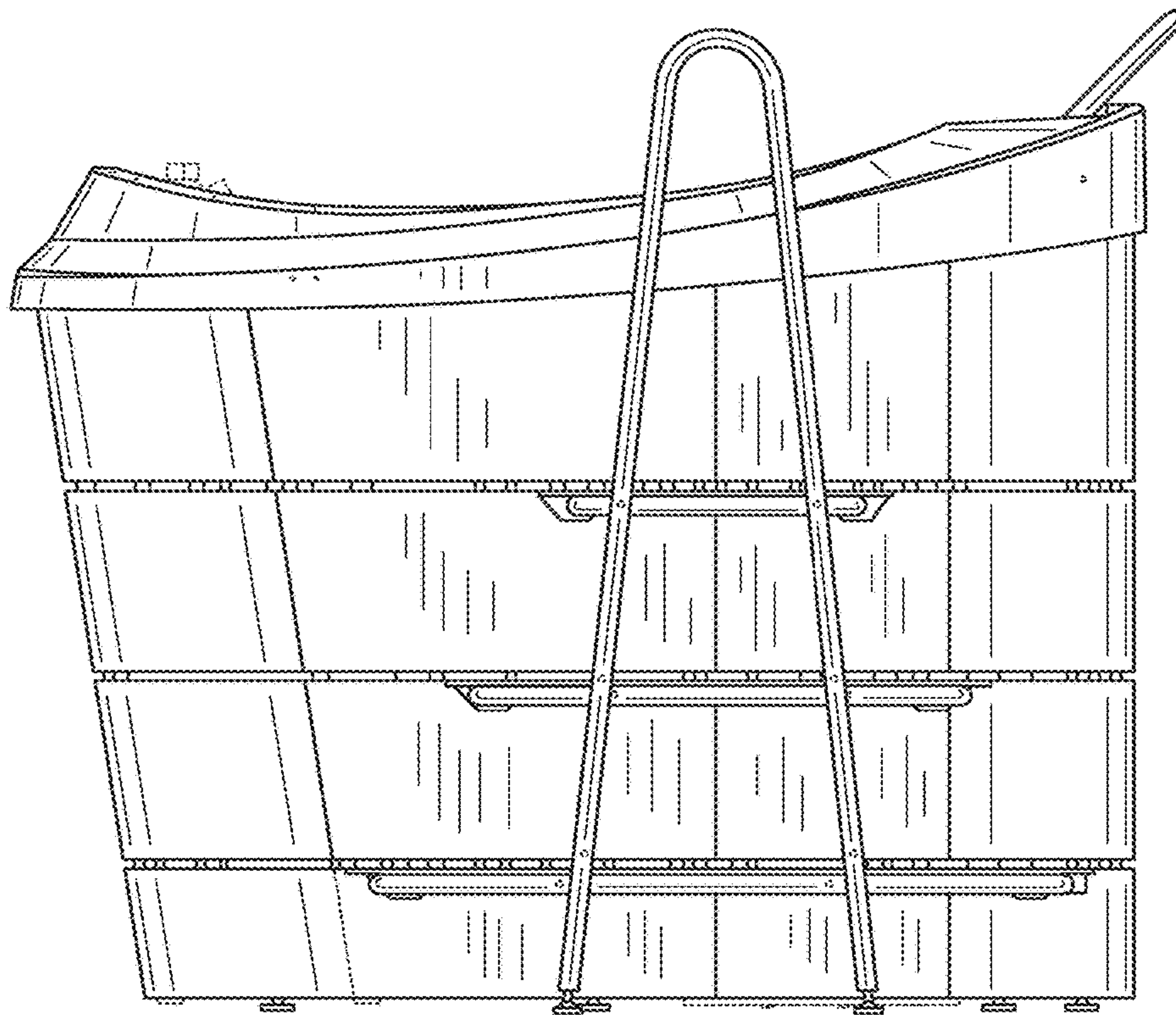


1.3

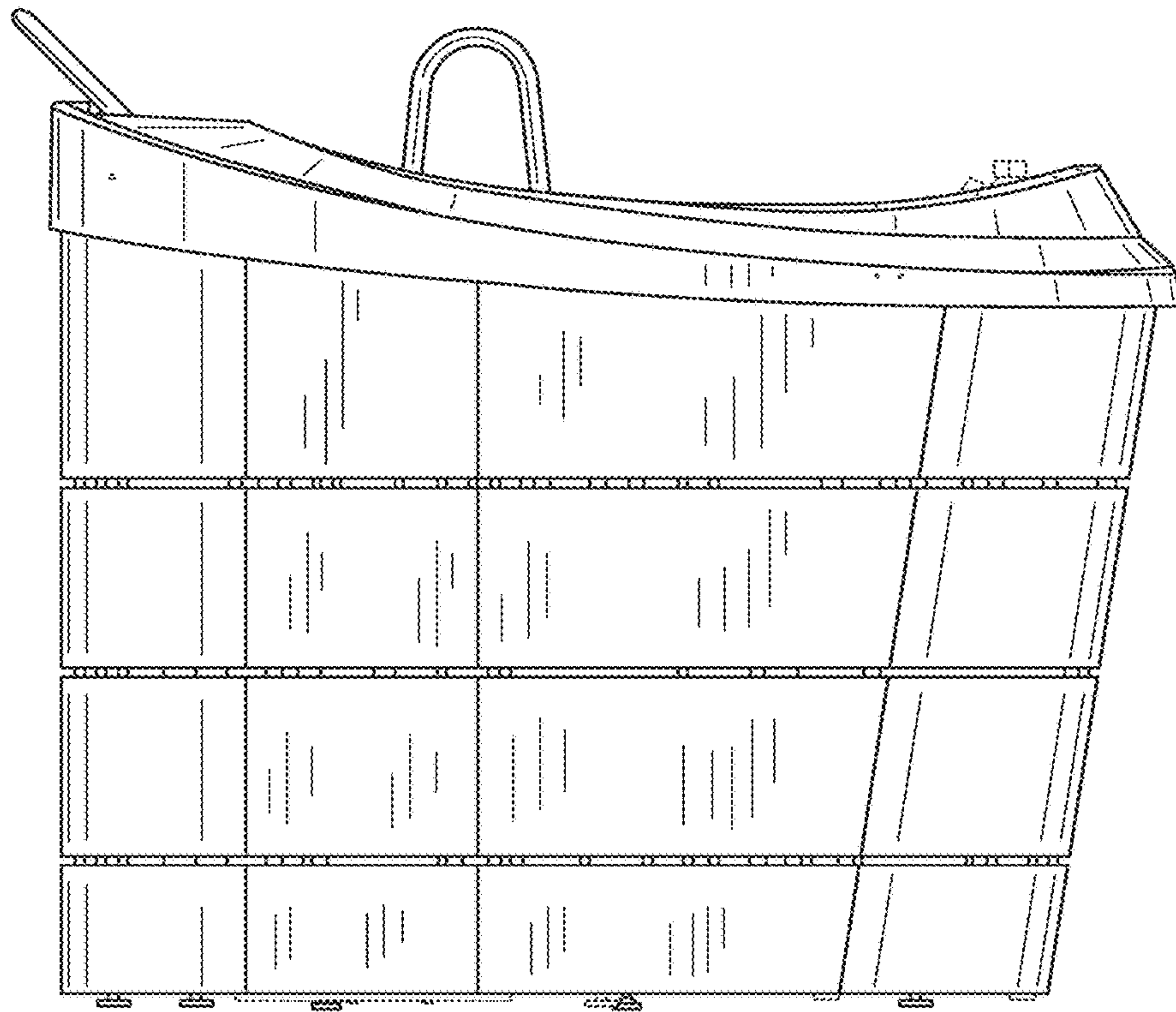




1.4



1.5



1.6

