



US00D844159S

(12) **United States Design Patent**
McKeown

(10) **Patent No.:** **US D844,159 S**
(45) **Date of Patent:** **** Mar. 26, 2019**

- (54) **MEDICAL DEVICE HEADPIECE**
- (71) Applicant: **Neurovalens Ltd**, Portglenone (IE)
- (72) Inventor: **Jason McKeown**, Portglenone (IE)
- (73) Assignee: **Neurovalens Ltd.**, Portglenone,
Nothern (IE)
- (**) Term: **15 Years**
- (21) Appl. No.: **29/609,973**
- (22) Filed: **Jul. 7, 2017**
- (51) **LOC (11) Cl.** **28-03**
- (52) **U.S. Cl.**
USPC **D24/200**
- (58) **Field of Classification Search**
USPC D24/184, 186, 187, 190, 191, 200, 215;
D14/124, 137, 205, 372
CPC A61F 7/00; A61F 7/02; A61F 7/03; A61F
7/08; A61F 2007/0002; A61F 2007/0011;
A61B 5/11; A61H 7/00; A61H 7/004;
A61H 7/006; A61H 7/007; A61H 9/0007;
A61H 2205/02; A61H 2205/04; A61H
23/00; A61H 23/02; A61H 23/006
See application file for complete search history.

(56) **References Cited**

U.S. PATENT DOCUMENTS

- 6,126,683 A * 10/2000 Momtaheni A61F 5/34
602/13
- D521,493 S * 5/2006 Wai D14/205
- D525,235 S * 7/2006 Koizumi D14/205
- D560,809 S * 1/2008 Causevic D24/187
- D578,222 S * 10/2008 Sakurai D24/187
- D579,442 S * 10/2008 Kim D14/205
- D585,557 S * 1/2009 Sakurai D24/187
- D594,442 S * 6/2009 Chon D14/205
- D617,308 S * 6/2010 Nousiainen D14/205
- D630,766 S * 1/2011 Harbin D24/231

- D706,745 S * 6/2014 Nakagawa H04R 1/1066
D14/205
- D709,673 S * 7/2014 Aimone D2/875
- D728,109 S * 4/2015 Ko D24/186
- D748,603 S * 2/2016 Kwan D14/205
- D753,316 S * 4/2016 Guarraia D24/200
- D763,822 S * 8/2016 Lee D14/205
- D766,206 S * 9/2016 Paterson D14/205
- D766,210 S * 9/2016 Graylin D14/205
- D777,137 S * 1/2017 Erbeus D14/205
- D796,473 S * 9/2017 Kim D14/205
- D823,827 S * 7/2018 Pourriot D14/205
- D824,358 S * 7/2018 Vaclavik D14/205
- D824,364 S * 7/2018 Kim D14/206
- D827,143 S * 8/2018 Dayal D24/187

(Continued)

Primary Examiner — Wan Laymon

Assistant Examiner — Clint A Samuel

(74) *Attorney, Agent, or Firm* — Lewis Kohn & Walker
LLP; David M. Kohn; Kari Moyer-Henry

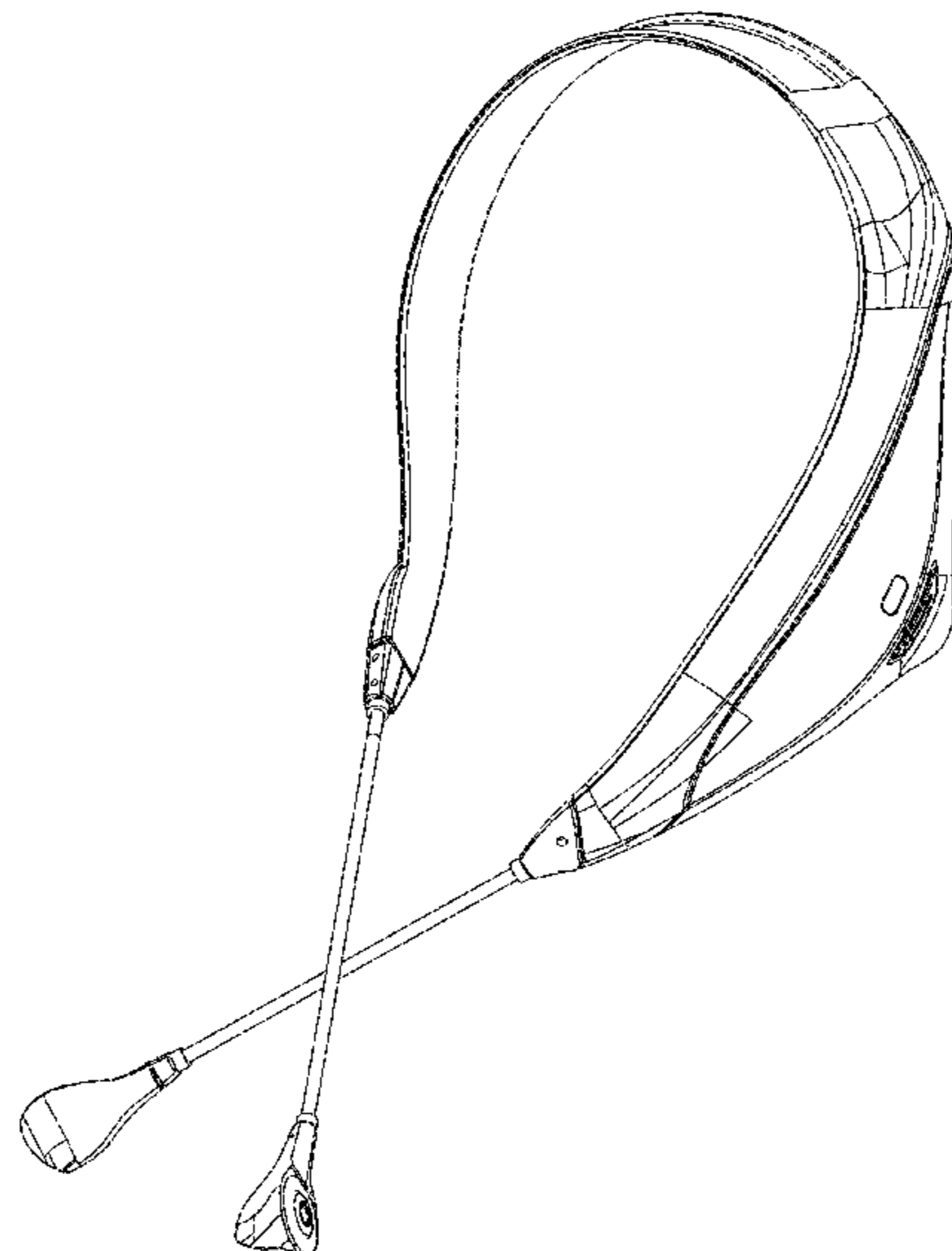
(57) **CLAIM**

The ornamental design for a medical device headpiece, as shown and described.

DESCRIPTION

FIG. 1 is a perspective view of the medical device headpiece of the present invention;
 FIG. 2 is a front view of the medical device headpiece shown in FIG. 1;
 FIG. 3 is a back view of the medical device headpiece shown in FIG. 1; and
 FIG. 4 is a right side view of the medical device headpiece shown in FIG. 1;
 FIG. 5 is a left side view of the medical device headpiece shown in FIG. 1;
 FIG. 6 is a top view of the medical device headpiece shown in FIG. 1; and,
 FIG. 7 is a bottom view of the medical device headpiece shown in FIG. 1.

1 Claim, 7 Drawing Sheets



(56)

References Cited

U.S. PATENT DOCUMENTS

2001/0039442 A1* 11/2001 Gorge A61F 7/02
607/109
2010/0042138 A1* 2/2010 Duelo Riu A61H 7/006
606/204
2011/0170702 A1* 7/2011 Bays H04R 5/0335
381/74
2018/0296166 A1* 10/2018 LeBoeuf G16H 40/67

* cited by examiner

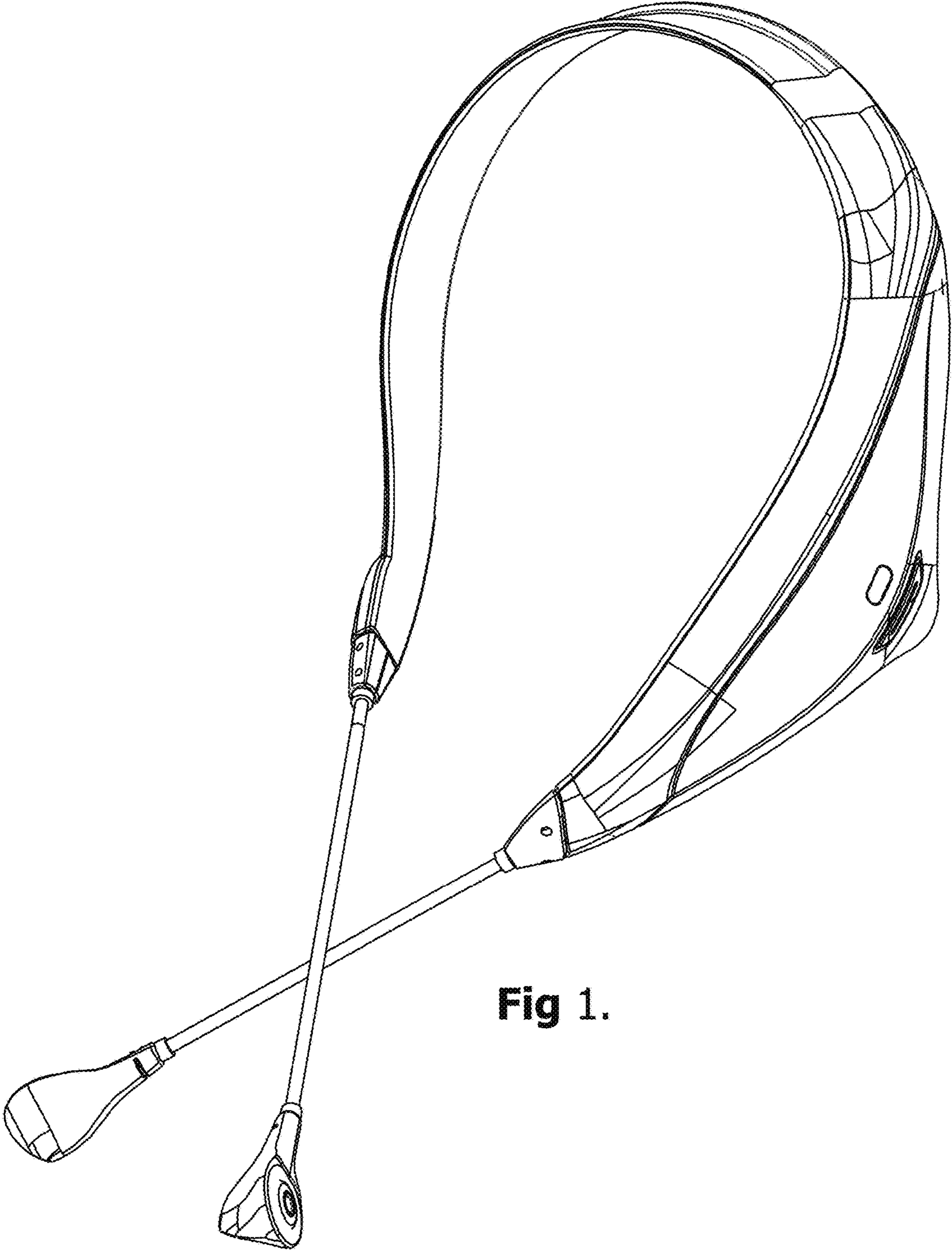


Fig 1.

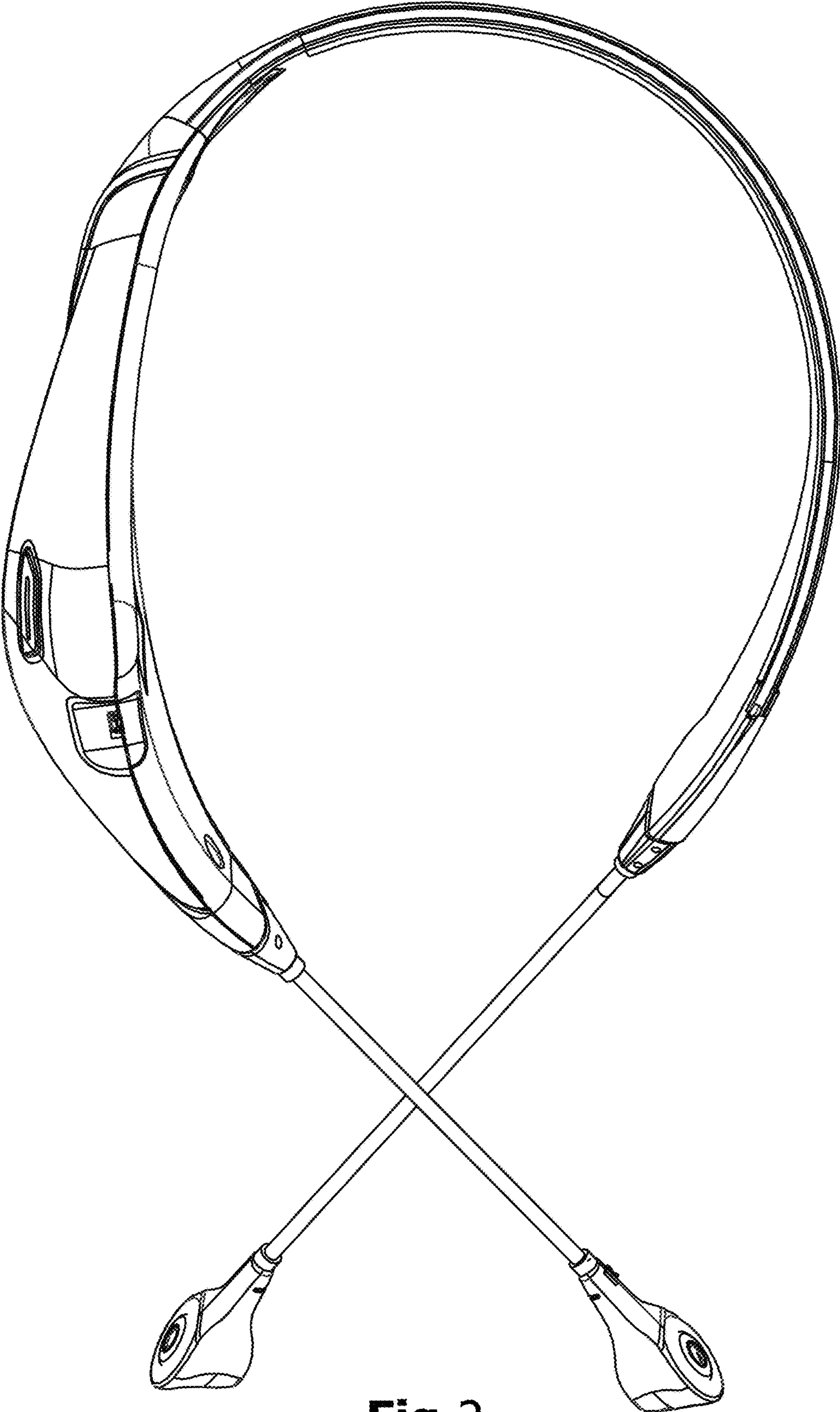


Fig 2.

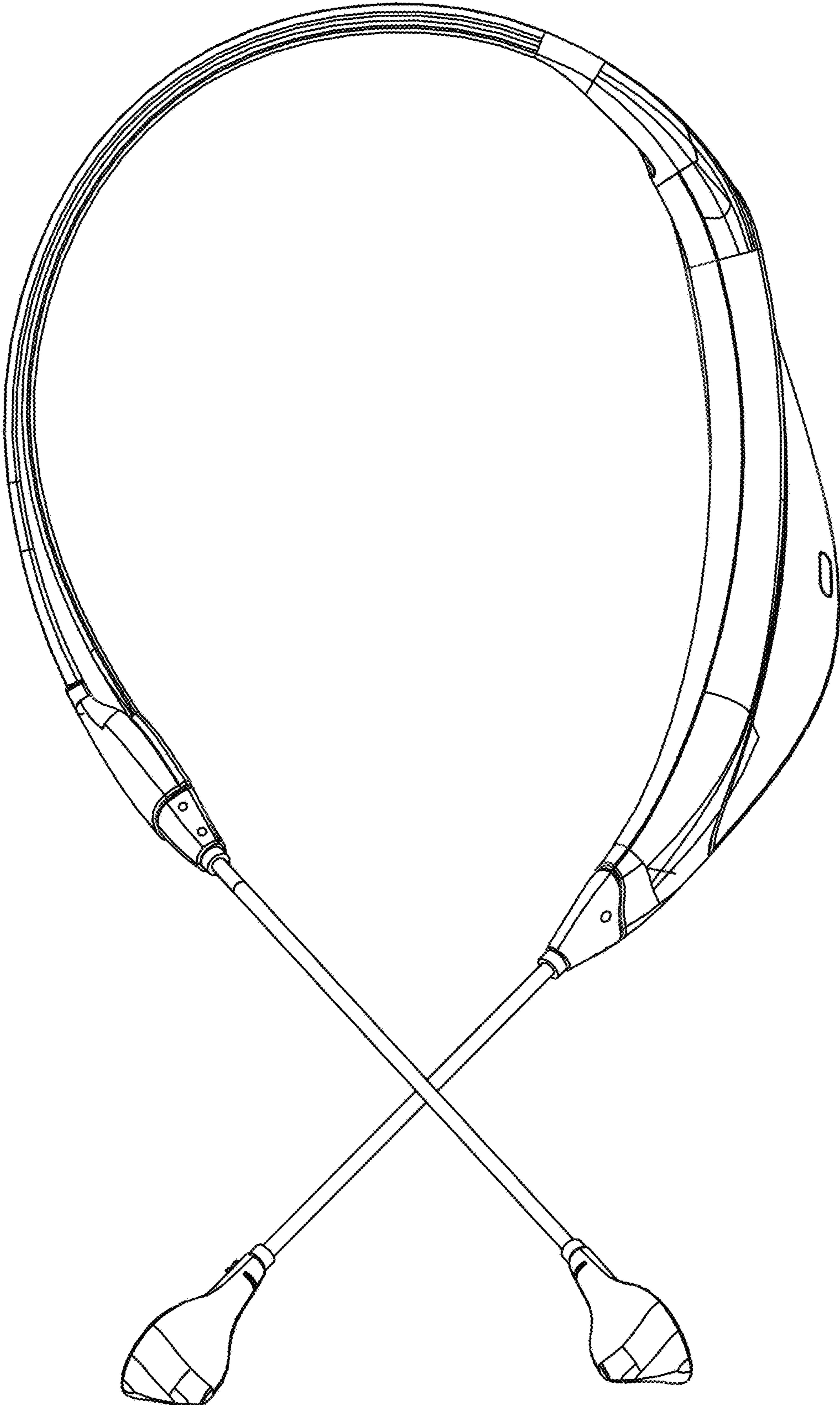


Fig 3.

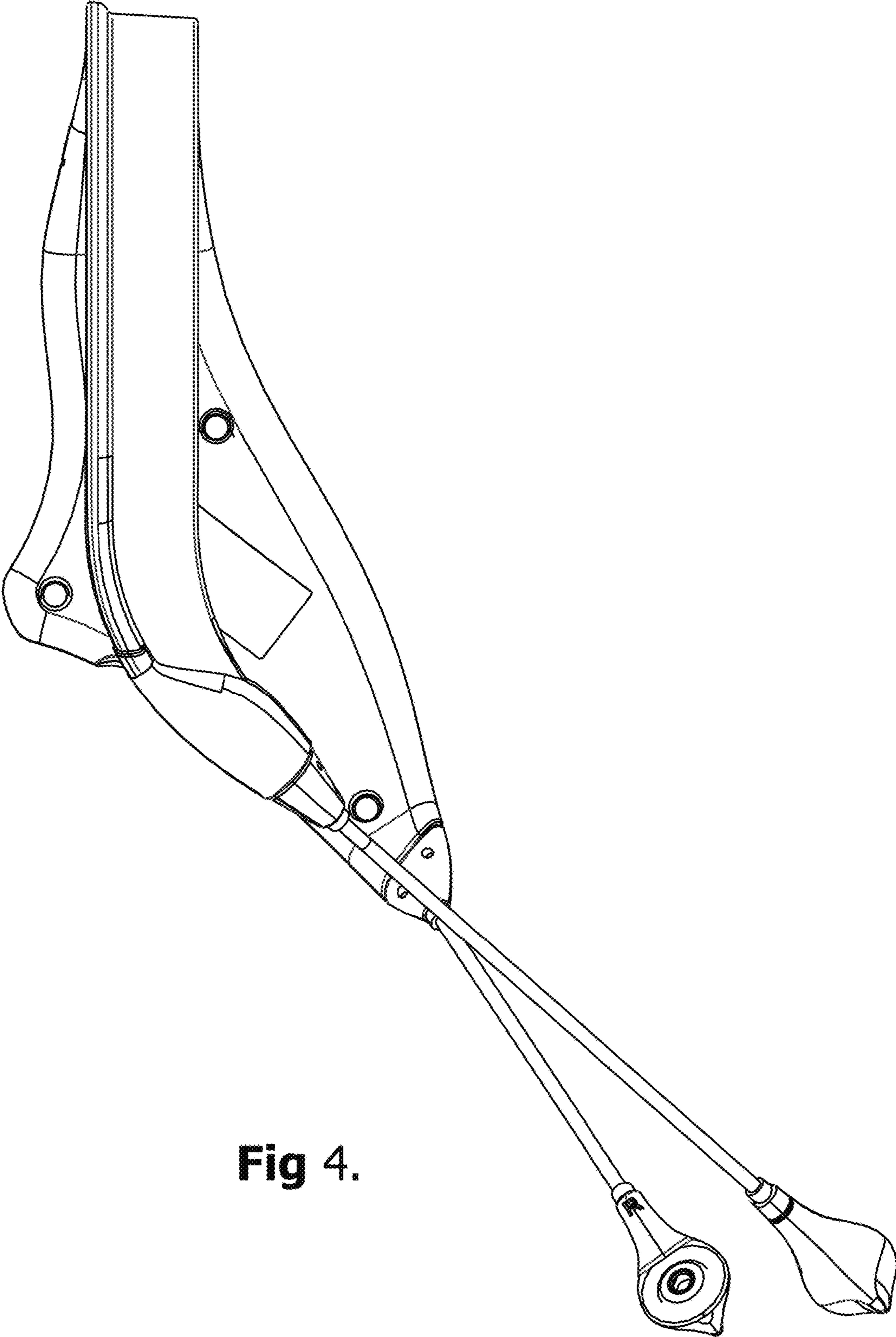


Fig 4.

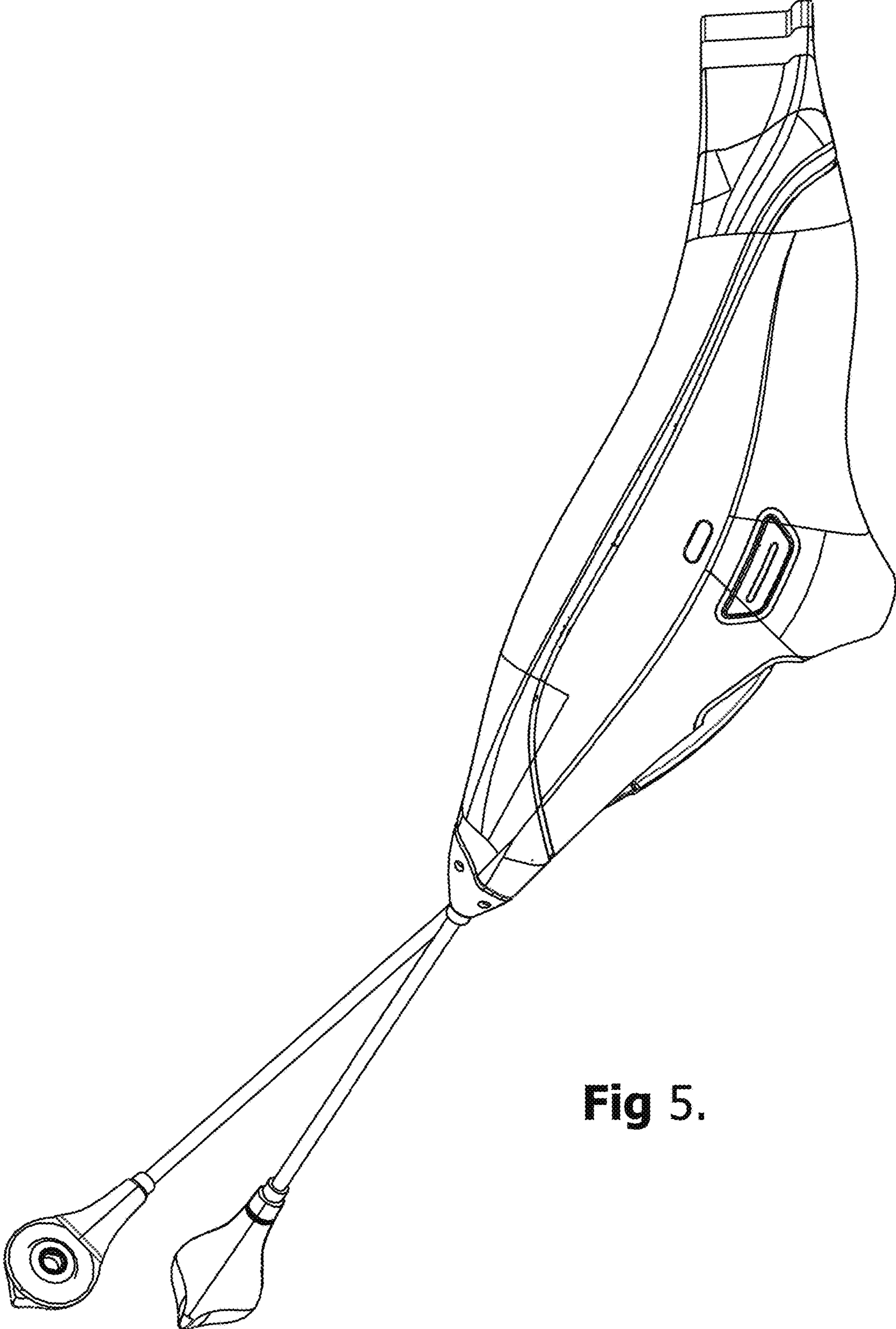


Fig 5.

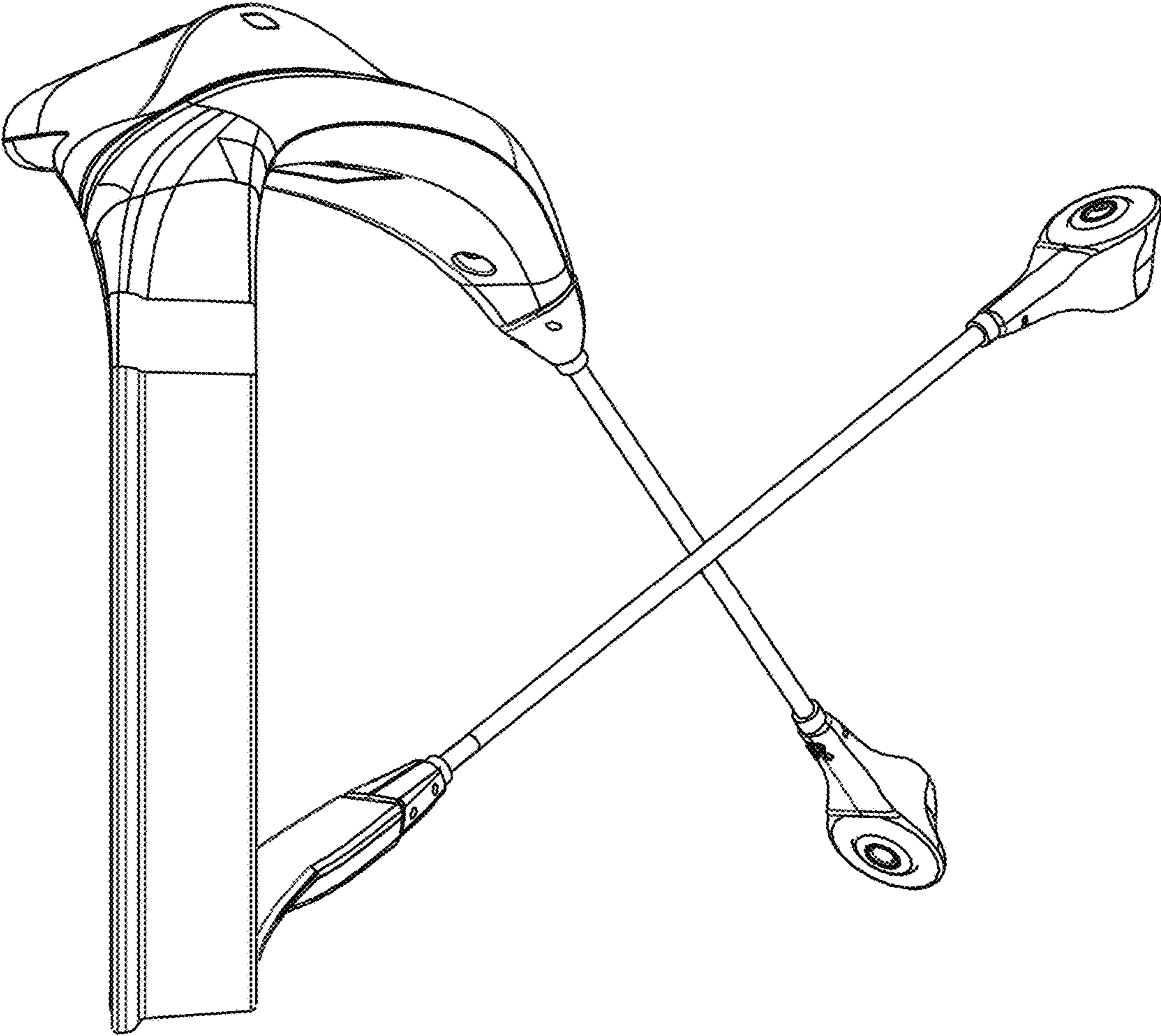


Fig 6.

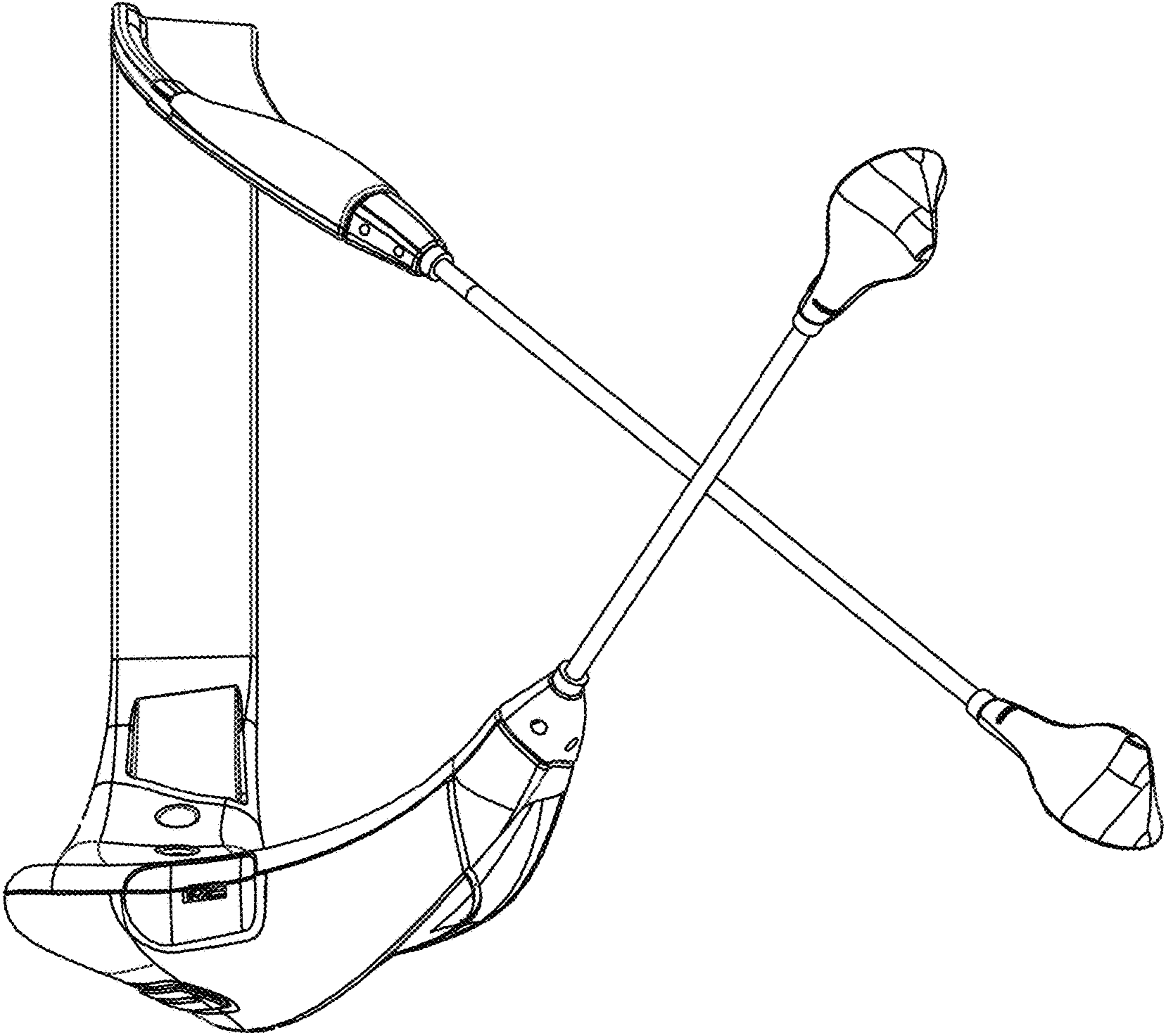


Fig 7.