

US00D844157S

(12) **United States Design Patent**  
**Lind et al.**

(10) **Patent No.:** **US D844,157 S**  
(45) **Date of Patent:** **\*\* Mar. 26, 2019**

- (54) **ANKLE SUPPORT**
- (71) Applicant: **3M INNOVATIVE PROPERTIES COMPANY**, St. Paul, MN (US)
- (72) Inventors: **Jason S. Lind**, Woodbury, MN (US); **Alonso M. Hernandez**, St. Paul, MN (US); **Frank J. Kovacs**, Minneapolis, MN (US); **Jacob T. Lusson**, Minneapolis, MN (US)
- (73) Assignee: **3M INNOVATIVE PROPERTIES COMPANY**, St. Paul, MN (US)
- (\*\*) Term: **15 Years**
- (21) Appl. No.: **29/612,324**
- (22) Filed: **Jul. 31, 2017**
- (51) **LOC (11) Cl.** ..... **24-01**
- (52) **U.S. Cl.**  
USPC ..... **D24/192**
- (58) **Field of Classification Search**  
USPC ..... D24/190-192; D29/120.1, 121.1, 121.2; D2/980, 994  
CPC ..... A61F 5/0111; A61F 13/066; A41D 13/06; A61H 2201/1697; A61H 2205/12  
See application file for complete search history.

- D613,491 S \* 4/2010 Hollingsworth ..... D2/980
- D623,761 S \* 9/2010 Chiang ..... D24/192
- D623,762 S \* 9/2010 Chiang ..... D24/192
- D650,969 S \* 12/2011 Wong ..... D2/624
- 8,118,791 B2 \* 2/2012 Flick ..... A61F 13/00063  
604/304
- D665,914 S \* 8/2012 Chiang ..... D24/192
- D703,427 S \* 4/2014 Frederick ..... D2/994
- D773,798 S \* 12/2016 Amis ..... D2/994
- 9,976,237 B2 \* 5/2018 Amis ..... D04B 1/26
- 2009/0069735 A1 \* 3/2009 Chiang ..... A61F 5/0111  
602/27

\* cited by examiner

*Primary Examiner* — Jennifer L Watkins

(74) *Attorney, Agent, or Firm* — Irina Hass

(57) **CLAIM**

The ornamental design for an ankle support, as shown and described.

**DESCRIPTION**

FIG. 1 is a perspective view showing the new design for an ankle support in a position of use; FIG. 2 is a front view thereof; FIG. 3 is a rear view thereof; FIG. 4 is a top view thereof; FIG. 5 is a bottom view thereof; FIG. 6 is a right side view thereof; and, FIG. 7 is a left side view thereof.

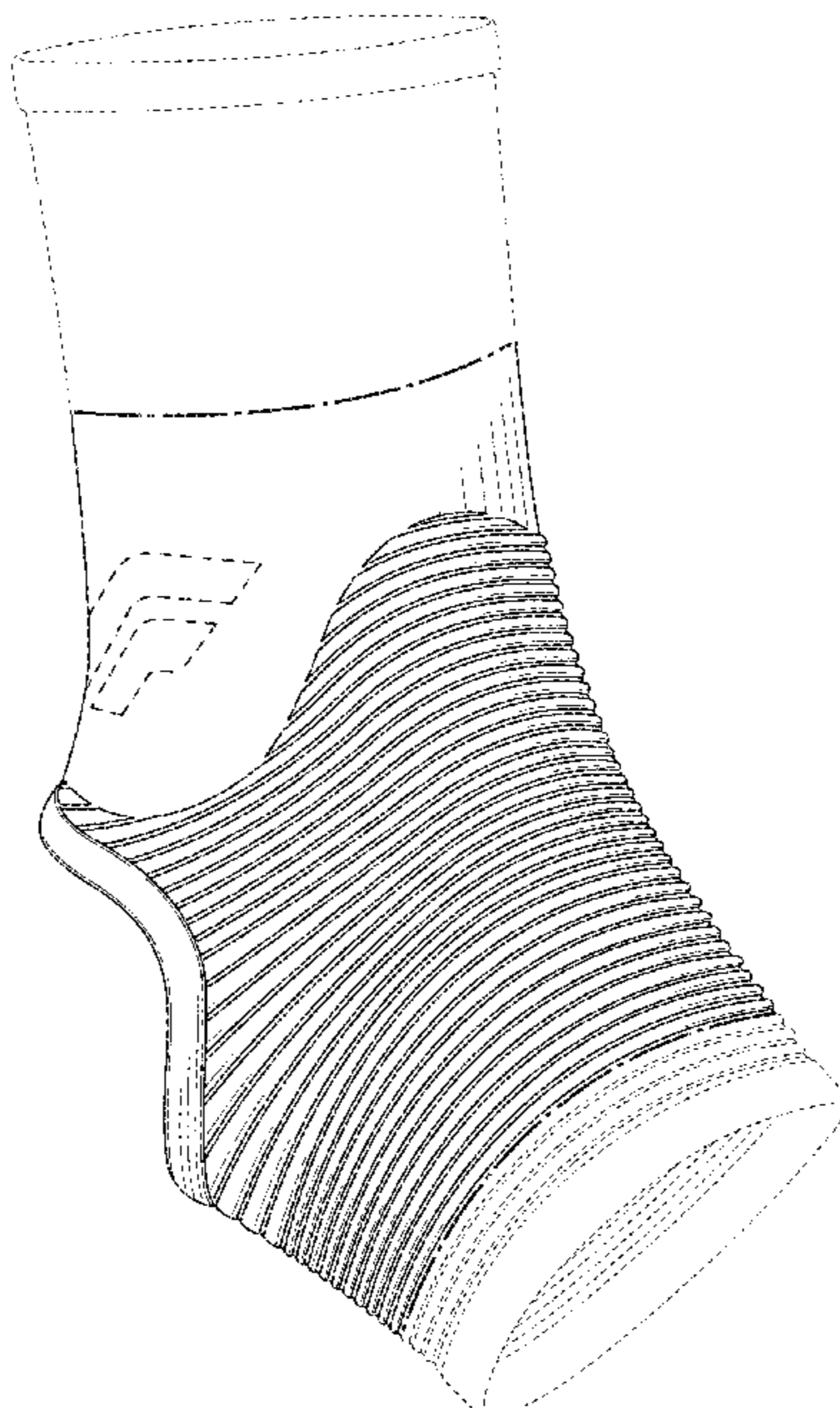
The portions of the ankle support in FIGS. 1-7 shown in broken lines are included to show features that form no part of the claimed design. In addition, the dot-dash-dot type broken lines shown in the drawing views define the boundaries of the claimed design and form no part of the claimed design.

**1 Claim, 7 Drawing Sheets**

(56) **References Cited**

**U.S. PATENT DOCUMENTS**

- 5,185,000 A \* 2/1993 Brandt ..... A61F 5/0111  
2/22
- D454,200 S \* 3/2002 Lamping ..... D24/192
- D482,792 S \* 11/2003 McCormick ..... D24/192
- D546,505 S \* 7/2007 Walston ..... D29/121.2
- D601,708 S \* 10/2009 Reinhardt ..... D24/192



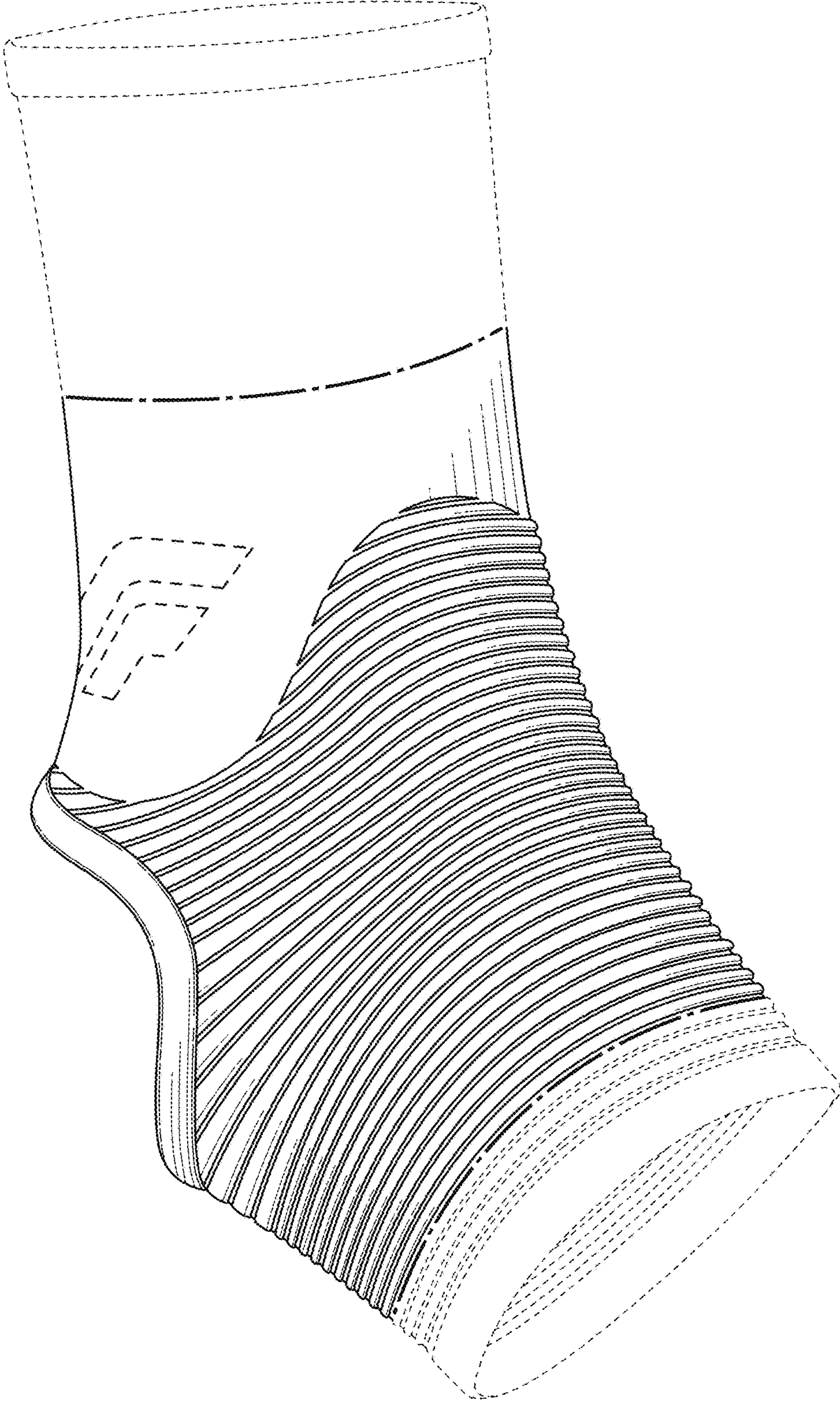


FIG. 1



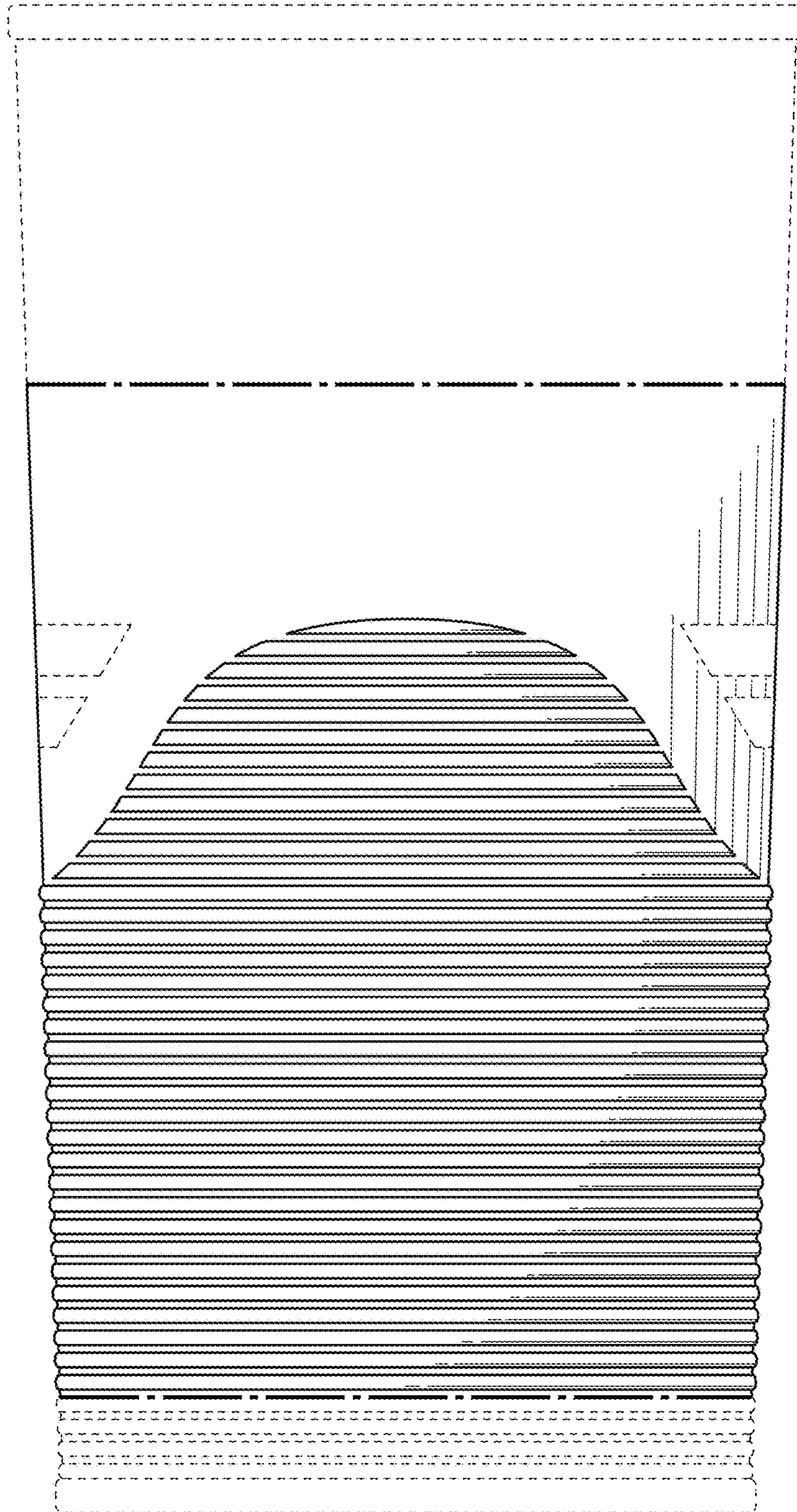


FIG. 2

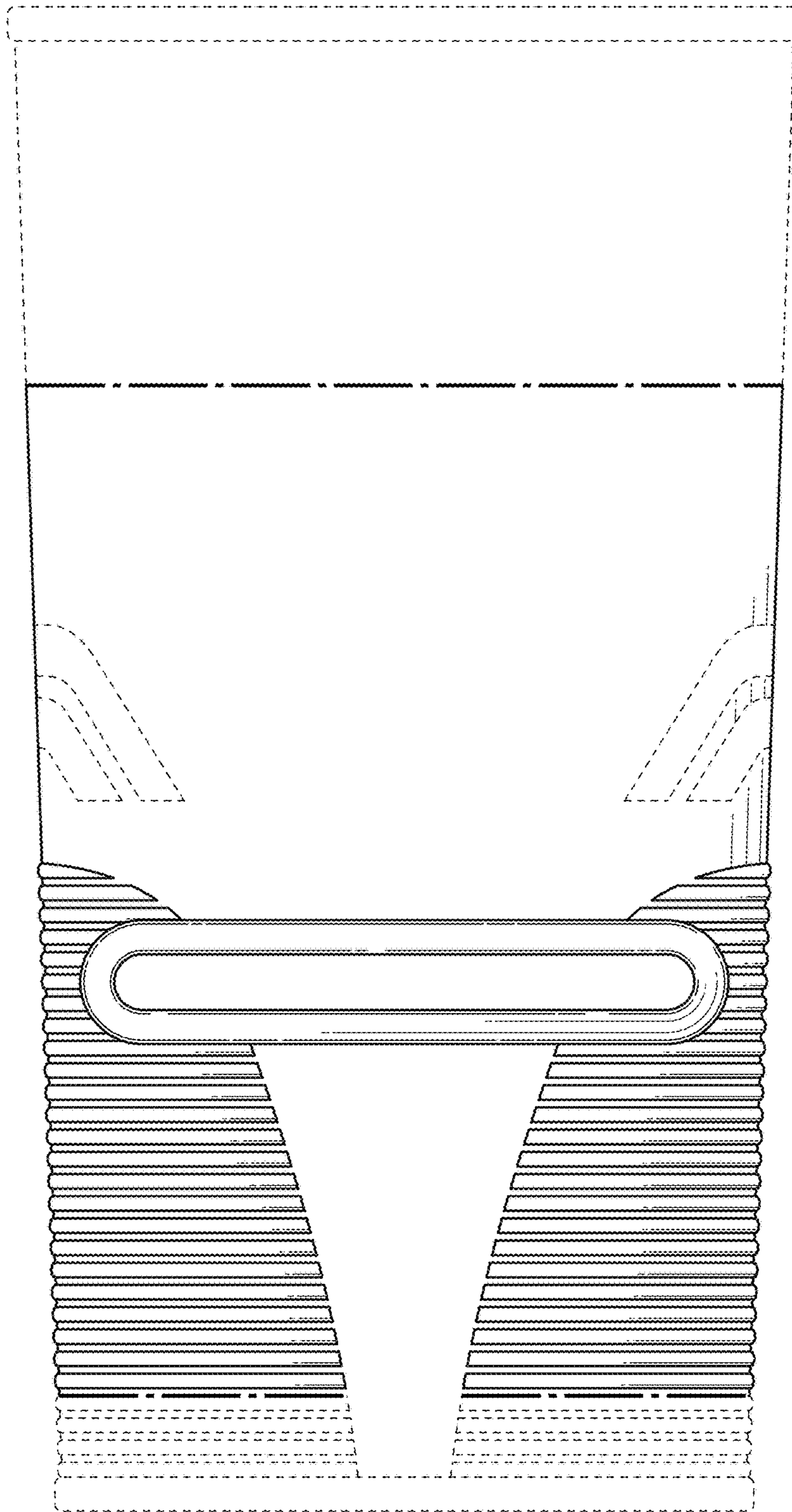


FIG. 3

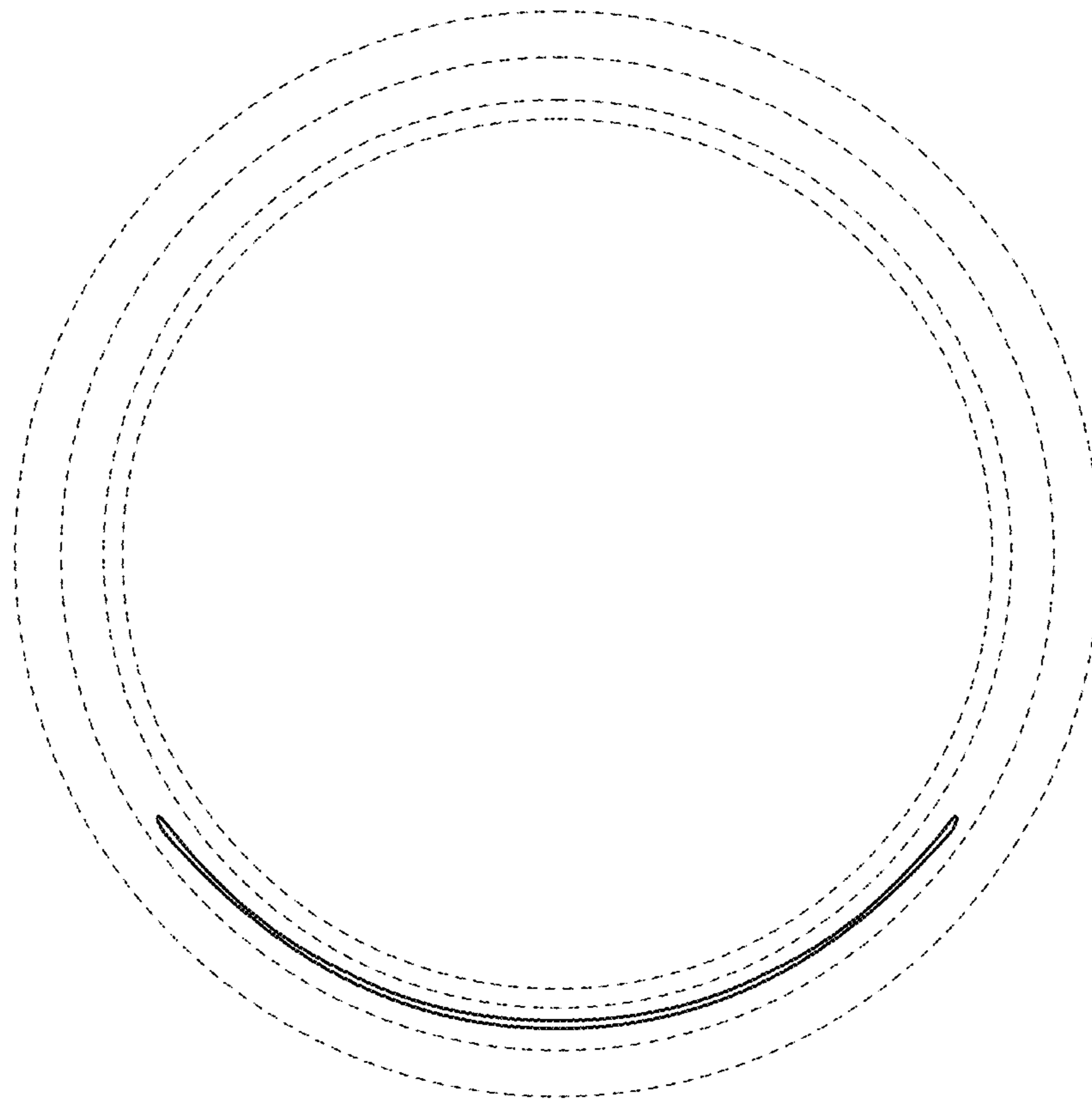


FIG. 4

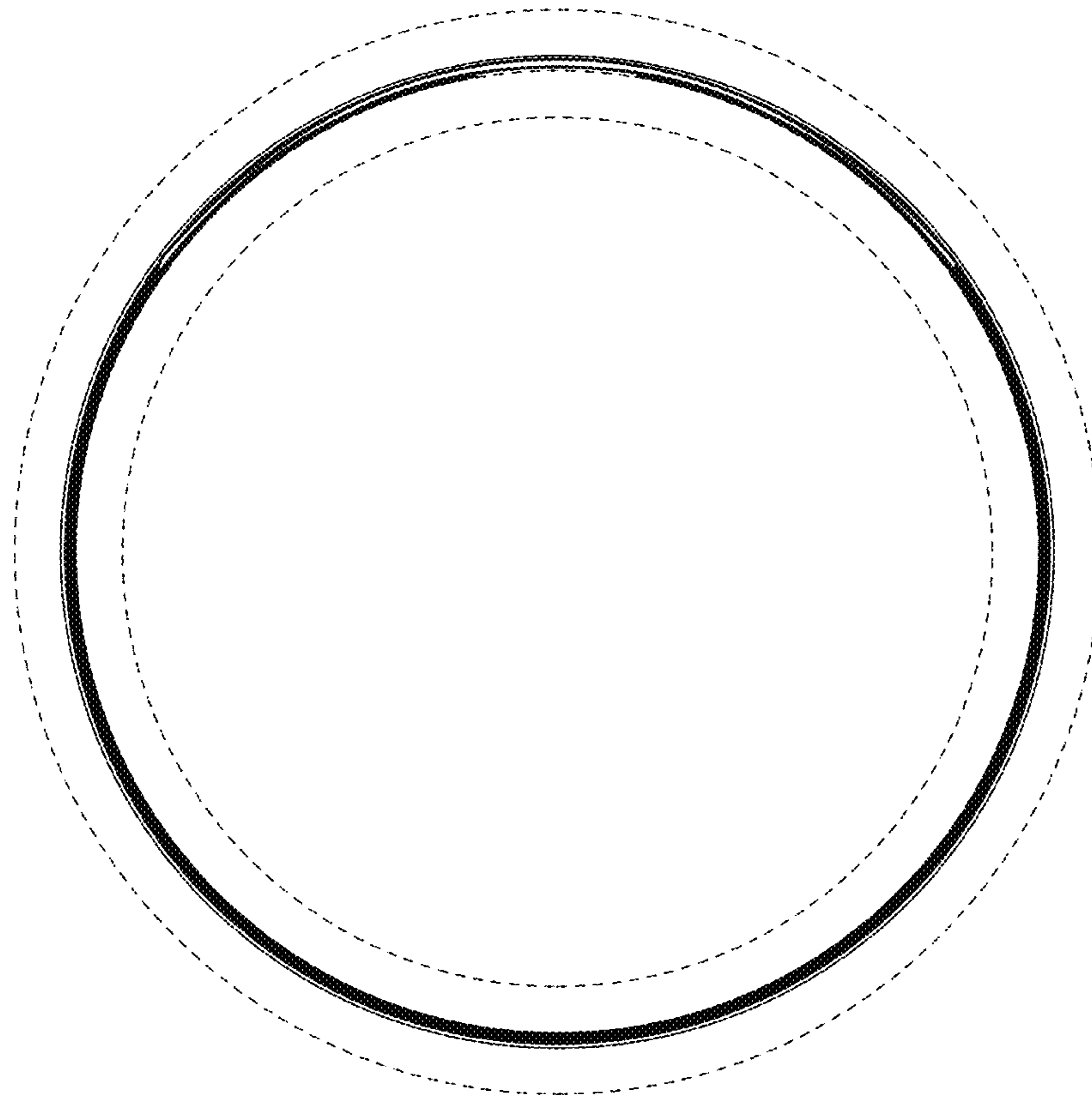


FIG. 5

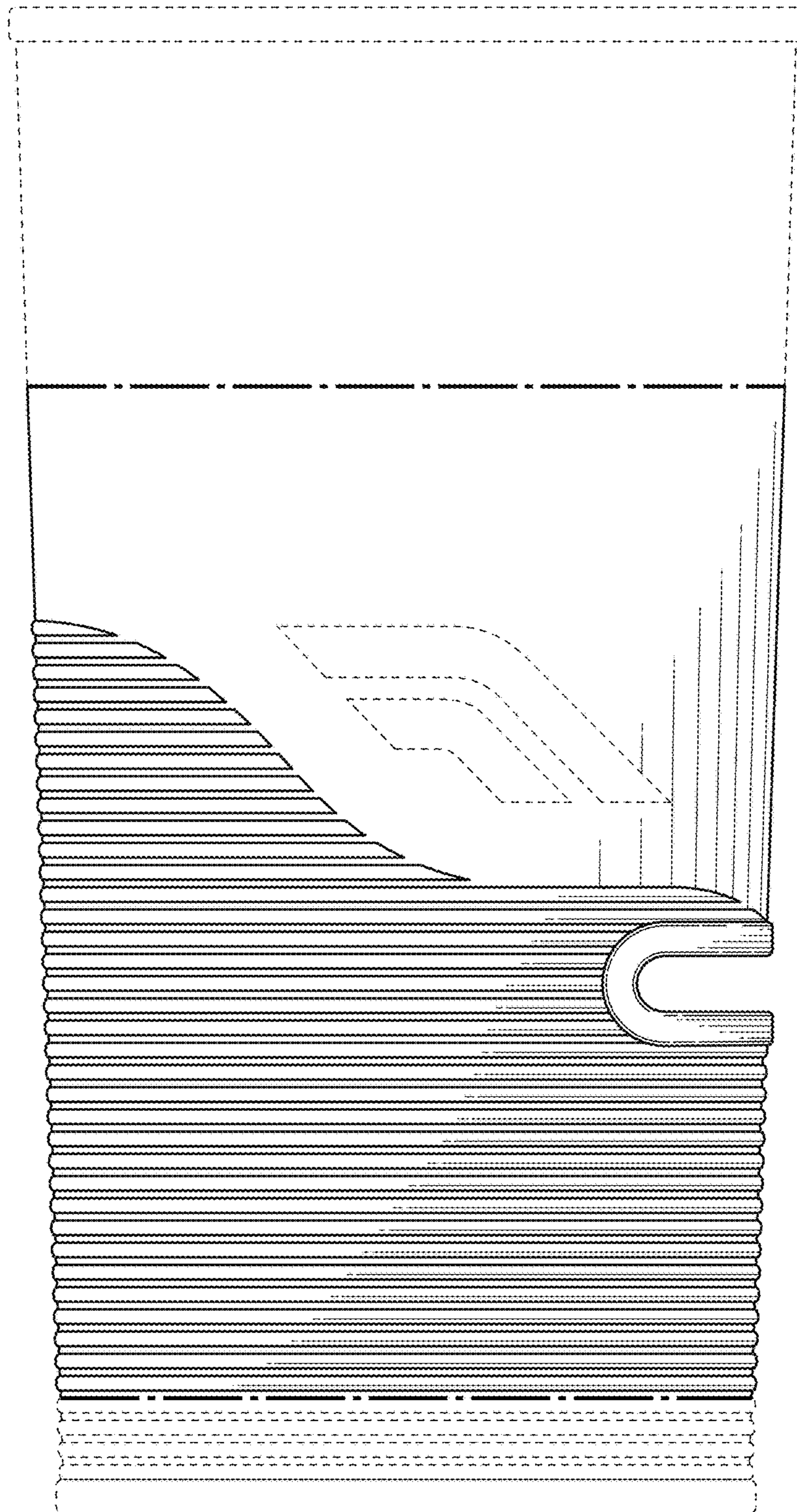


FIG. 6



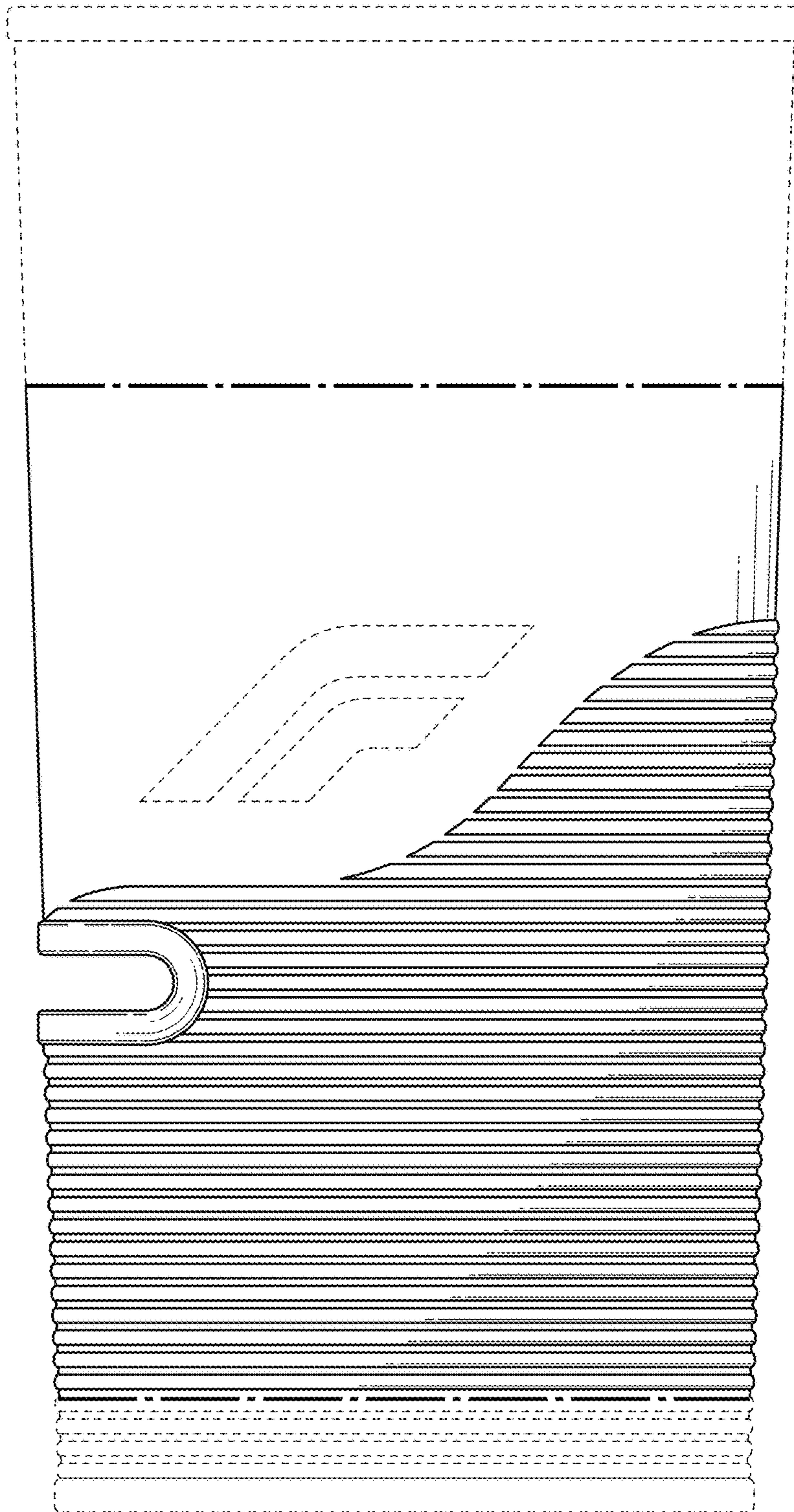


FIG. 7