



US00D844153S

(12) **United States Design Patent**  
**Han**

(10) **Patent No.:** **US D844,153 S**

(45) **Date of Patent:** **\*\* Mar. 26, 2019**

(54) **FINGER GUARD**

(71) Applicant: **Kejie Han**, Yuyao (CN)

(72) Inventor: **Kejie Han**, Yuyao (CN)

(\*\*) Term: **15 Years**

(21) Appl. No.: **29/598,095**

(22) Filed: **Mar. 23, 2017**

(51) **LOC (11) Cl.** ..... **24-01**

(52) **U.S. Cl.**  
USPC ..... **D24/190; D29/114**

(58) **Field of Classification Search**  
USPC ..... D24/188-192; D29/113, 114, 117.1,  
D29/117.2, 122, 123  
CPC ..... A61F 5/05875; A61F 5/10; A61F 5/0118;  
A61F 2007/0037; A61F 2007/0231; A61F  
5/013; A61F 7/02

See application file for complete search history.

(56) **References Cited**

**U.S. PATENT DOCUMENTS**

D314,727 S \* 2/1991 Samaras ..... D11/27  
5,803,094 A \* 9/1998 Becker ..... A45D 31/00  
132/200  
D403,138 S \* 12/1998 Wilmot ..... D29/117.2  
D545,503 S \* 6/2007 Ryscavage ..... D29/114  
D575,906 S \* 8/2008 Drangel ..... D29/114

D702,402 S \* 4/2014 Pew ..... D29/113  
8,771,212 B1 \* 7/2014 Garris ..... A61F 5/05875  
602/20  
D715,951 S \* 10/2014 Stuart ..... D24/190  
D793,568 S \* 8/2017 Wong ..... D24/190  
D825,064 S \* 8/2018 Wong ..... D24/190  
D825,065 S \* 8/2018 Wong ..... D24/190

**OTHER PUBLICATIONS**

Qiancheng Finger Splint, announced on Amazon.com May 10, 2017, [site visited Sep. 24, 2018]. Available from Internet, <URL: <https://www.amazon.com/Qiancheng-Finger-Basketball-Protector-Support/dp/B071F72FB9> >.\*

\* cited by examiner

*Primary Examiner* — Jennifer L Watkins

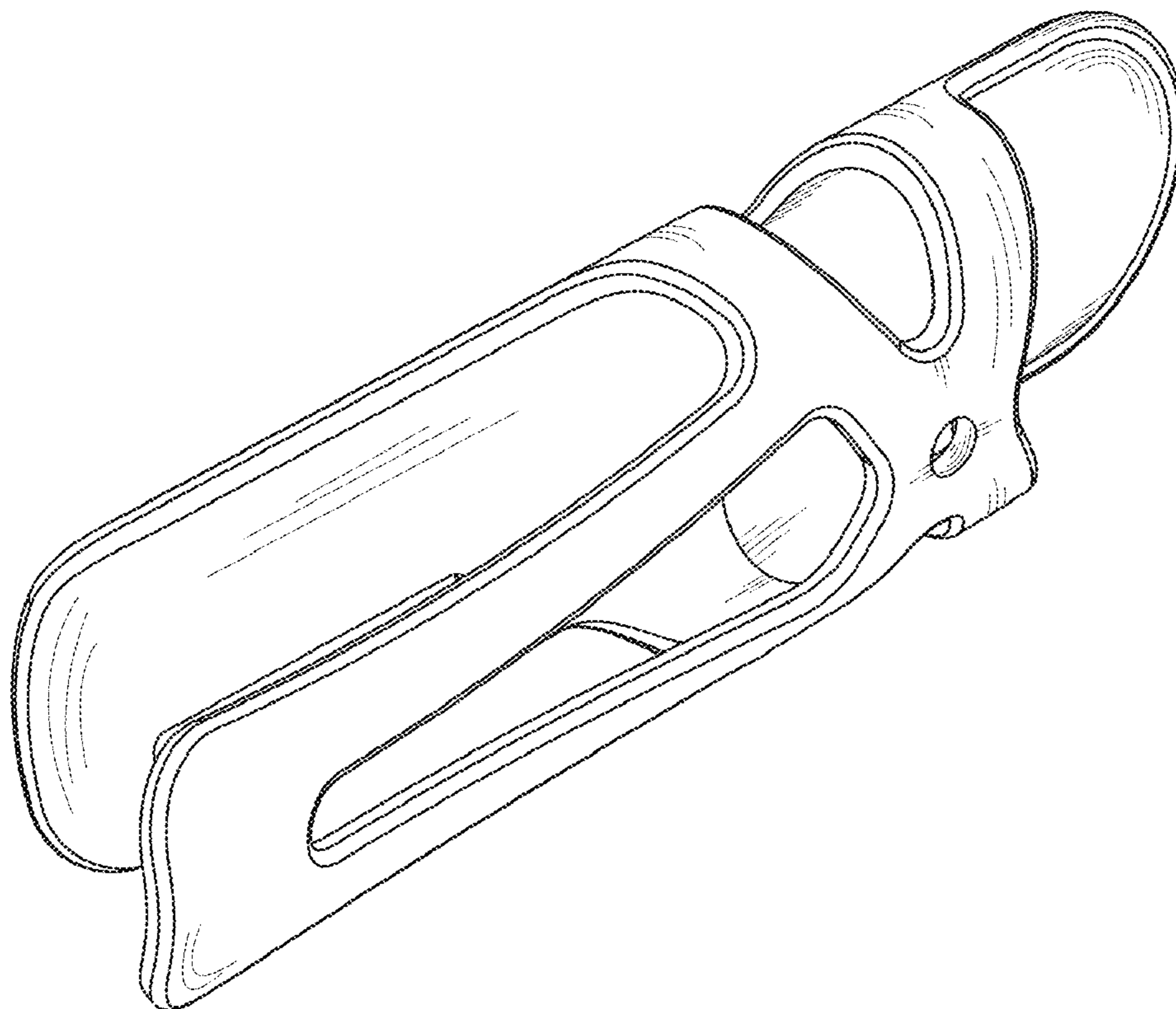
(57) **CLAIM**

The ornamental design for finger guard, as shown.

**DESCRIPTION**

FIG. 1 is a front elevational view of finger guard showing my new design;  
FIG. 2 is a rear elevational view thereof;  
FIG. 3 is a left side elevational view thereof;  
FIG. 4 is a right side elevational view thereof;  
FIG. 5 is a top plan view thereof;  
FIG. 6 is a bottom plan view thereof; and,  
FIG. 7 is a front perspective view thereof.

**1 Claim, 7 Drawing Sheets**



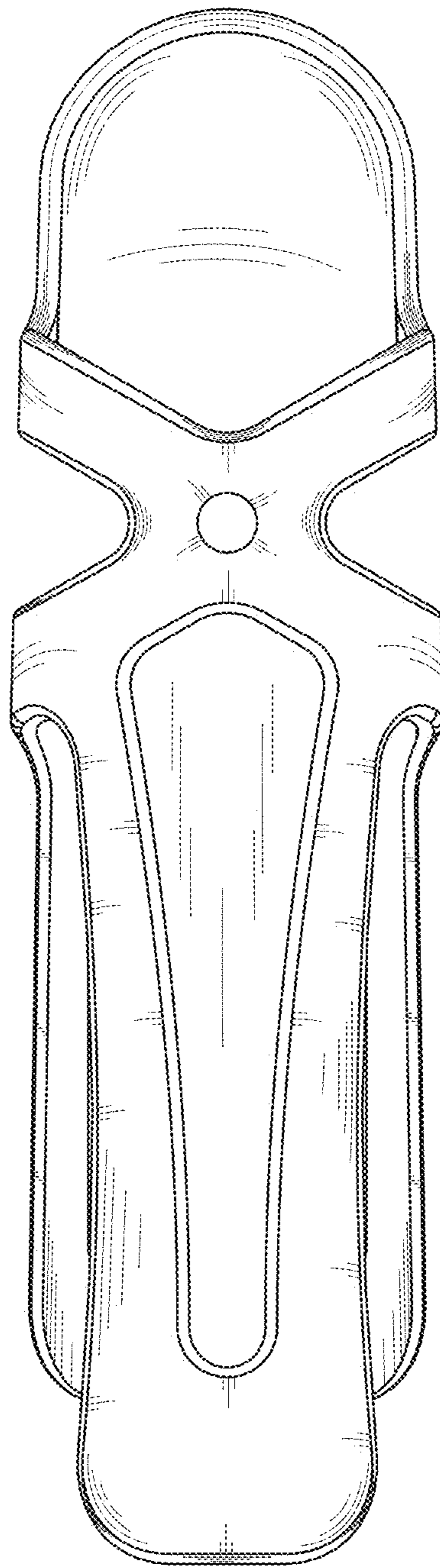


FIG.1

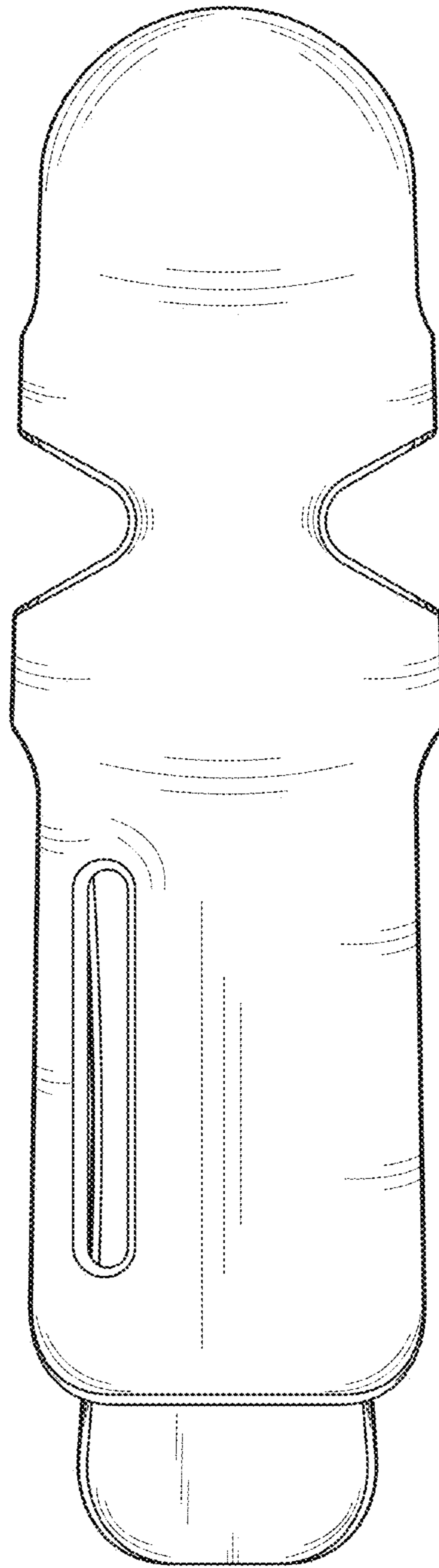


FIG.2

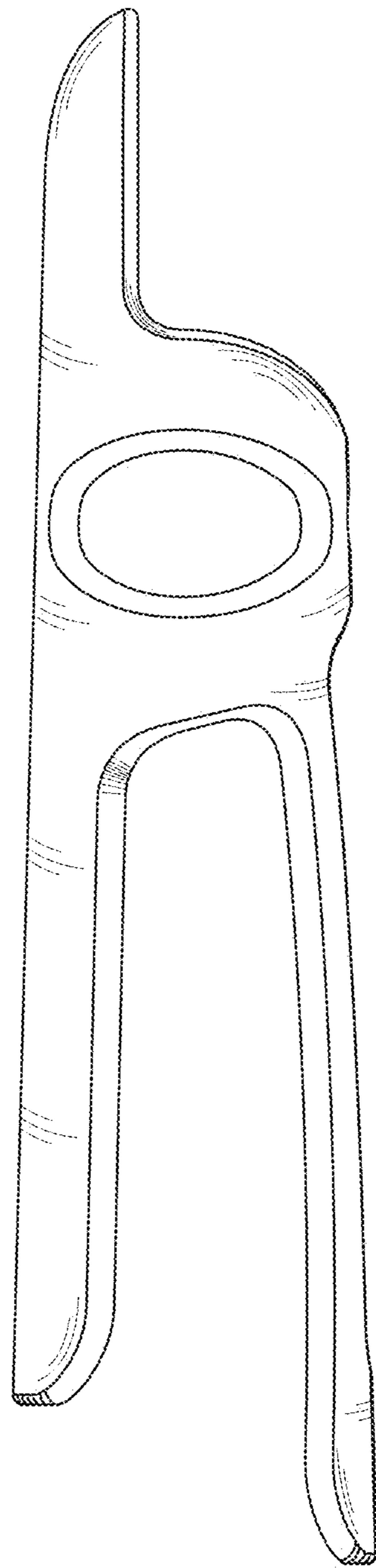


FIG.3

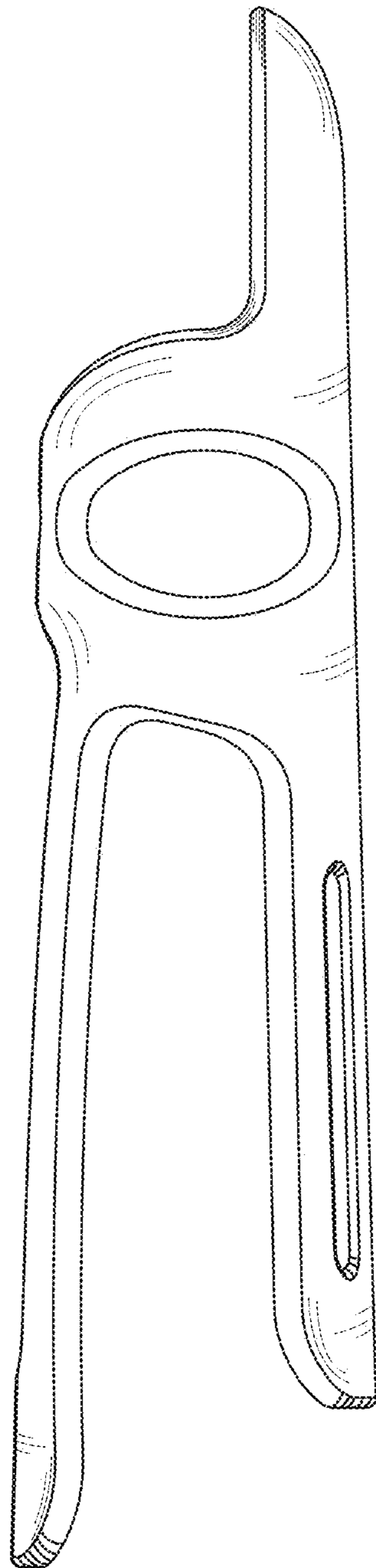


FIG.4

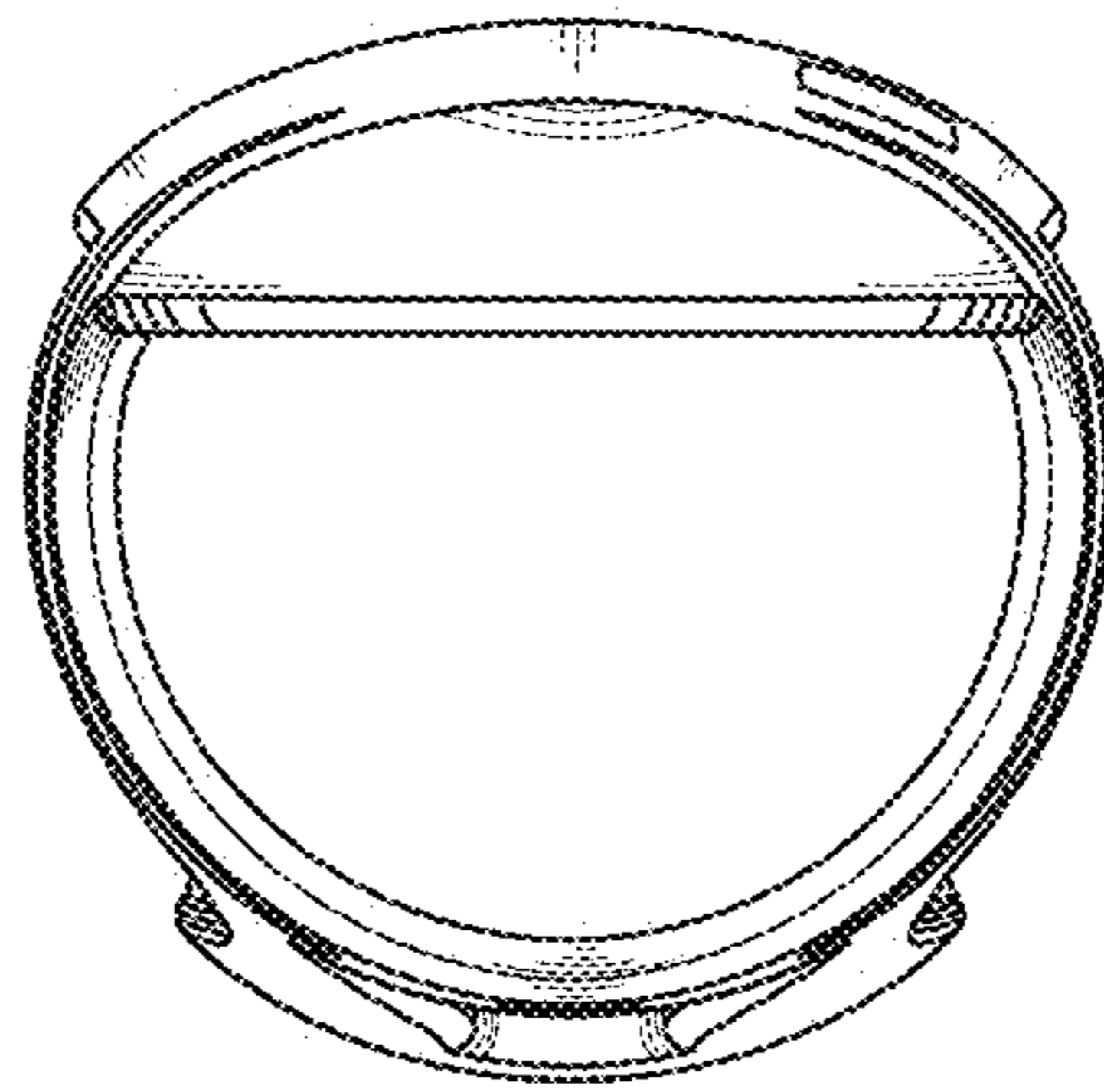


FIG.5

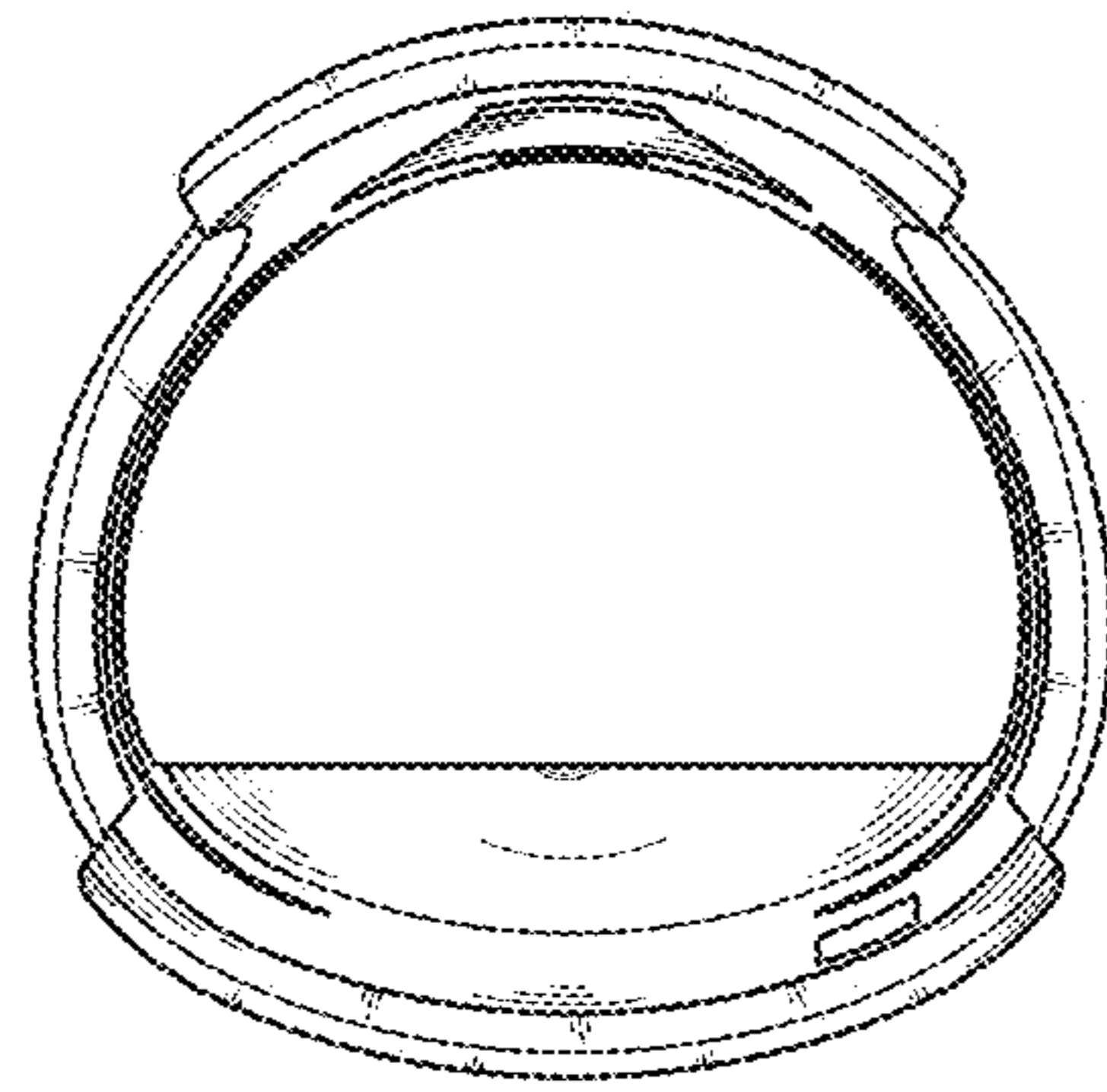


FIG.6



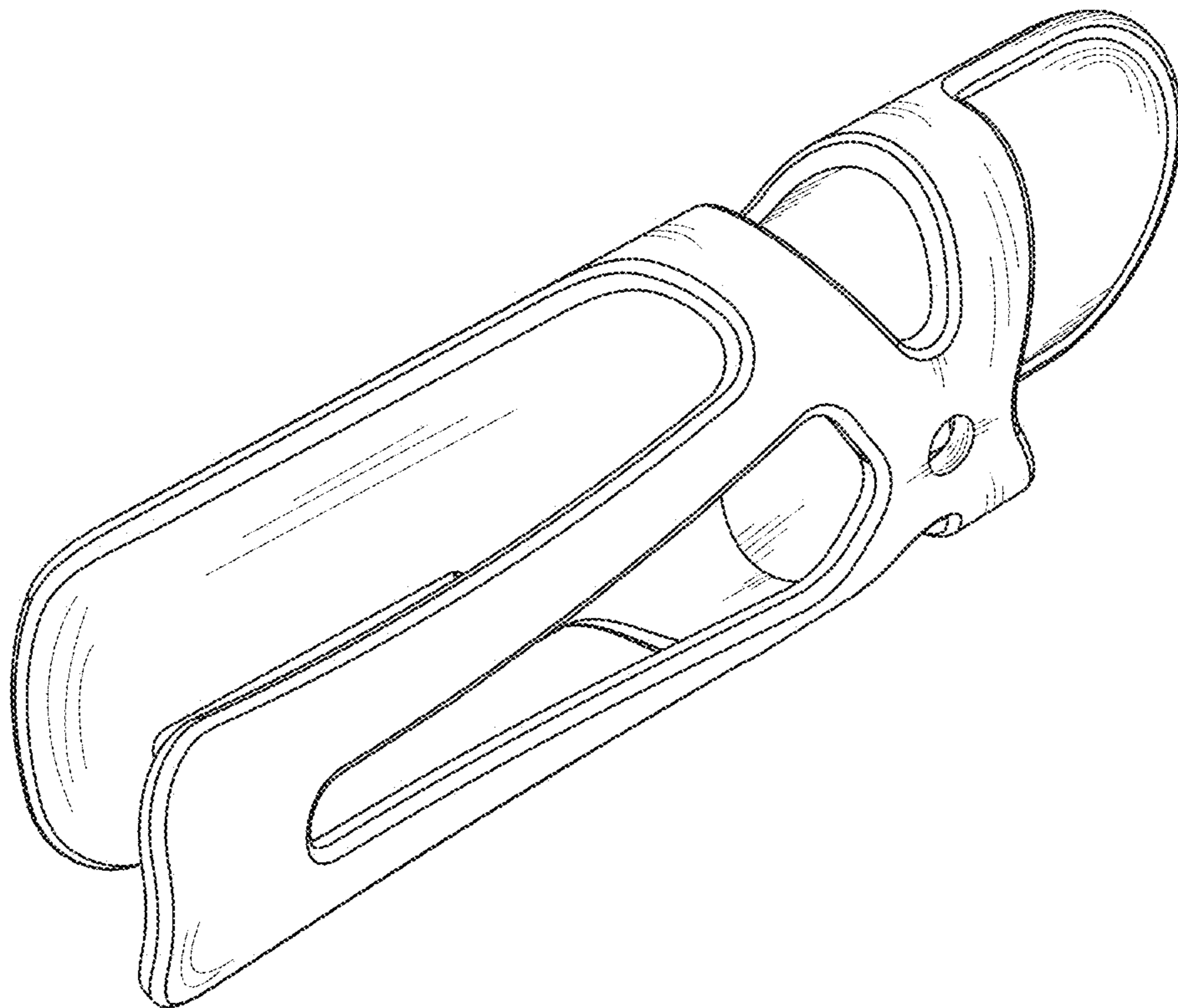


FIG.7