



US00D844144S

(12) **United States Design Patent** (10) **Patent No.:** **US D844,144 S**
Personnelli et al. (45) **Date of Patent:** **** Mar. 26, 2019**

- (54) **MRI HEAD COIL APPARATUS**
- (71) Applicant: **GENERAL ELECTRIC COMPANY**,
Schenectady, NY (US)
- (72) Inventors: **Regis Gerard Personnelli**, Bois d'Arcy
(FR); **Yun-Jeong Stickle**, Aurora, OH
(US); **Balint Franko**, Aurora, OH (US);
Sarah Tenley, Cleveland Heights, OH
(US); **Clyve Konrad Rosales Follante**,
Aurora, OH (US)
- (73) Assignee: **General Electric Company**,
Schenectady, NY (US)

D592,751 S *	5/2009	Ninomiya	D24/158
D742,012 S *	10/2015	Sul	D24/158
D742,519 S *	11/2015	Sul	D24/158
D742,523 S *	11/2015	Sul	D24/158
D748,797 S *	2/2016	Patil	D24/158
D787,064 S *	5/2017	Sul	D24/158
2013/0131498 A1 *	5/2013	Taracila	G01R 33/34084 600/422
2013/0317346 A1 *	11/2013	Alagappan	G01R 33/34046 600/415
2015/0065852 A1 *	3/2015	Driemel	A61B 5/055 600/410
2017/0082705 A1 *	3/2017	Hou	G01R 33/34007
2017/0168124 A1 *	6/2017	Ueda	A61B 5/0035

* cited by examiner

- (**) Term: **15 Years**
- (21) Appl. No.: **29/632,014**

Primary Examiner — Anhdao Doan
(74) *Attorney, Agent, or Firm* — McCoy Russell LLP

- (22) Filed: **Jan. 4, 2018**

(57) **CLAIM**

Related U.S. Application Data

The ornamental design for a MRI head coil apparatus, as shown and described.

- (62) Division of application No. 29/585,537, filed on Nov. 25, 2016.

- (51) **LOC (11) Cl.** **24-01**
- (52) **U.S. Cl.**

DESCRIPTION

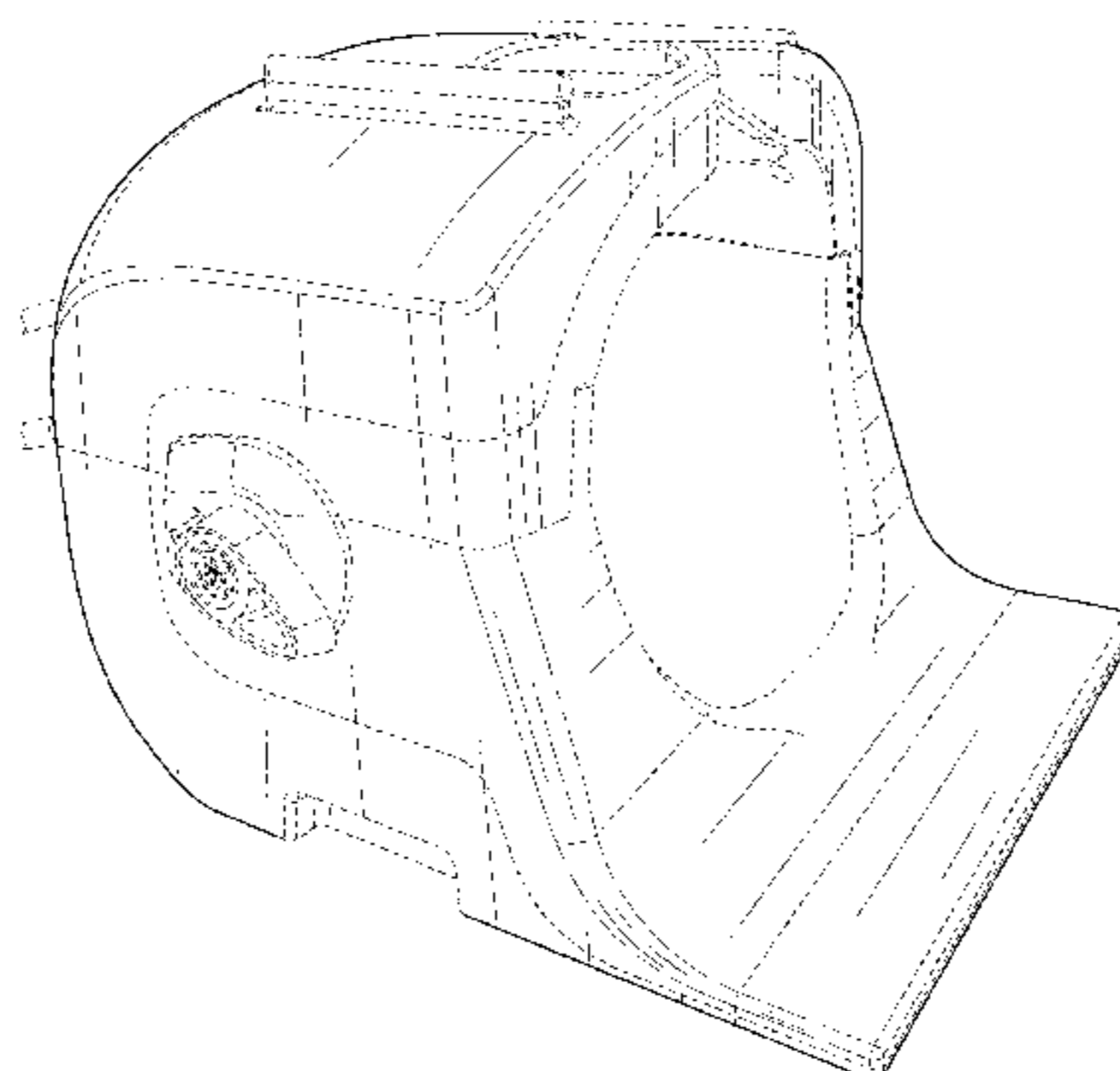
- USPC **D24/158**
- (58) **Field of Classification Search**
- USPC D24/107, 158–161, 185, 186, 187, 231
- CPC A61B 5/0042; A61B 5/055; A61B 6/03;
A61B 6/035; G01R 33/283; G01R
33/4806; G01R 33/4812; G03B 21/145;
G03B 21/30; G03B 21/54; G03B 21/585
- See application file for complete search history.

FIG. 1 is a perspective view of a MRI head coil apparatus showing our new design;
 FIG. 2 is a front elevation view thereof;
 FIG. 3 is a rear elevation view thereof;
 FIG. 4 is a side elevation view thereof;
 FIG. 5 is an opposite side elevation view thereof;
 FIG. 6 is a top plan view thereof;
 FIG. 7 is a bottom plan view thereof; and,
 FIG. 8 is a top perspective view thereof.
 The broken lines immediately adjacent the shaded areas represent the bounds of the claim, while all other broken lines are directed to environment and are for illustrative purposes only; the broken lines form no part of the claimed design.

- (56) **References Cited**
- U.S. PATENT DOCUMENTS

5,221,902 A *	6/1993	Jones	G01R 33/34061 324/318
6,313,633 B1 *	11/2001	Boskamp	G01R 33/34053 324/318

1 Claim, 5 Drawing Sheets



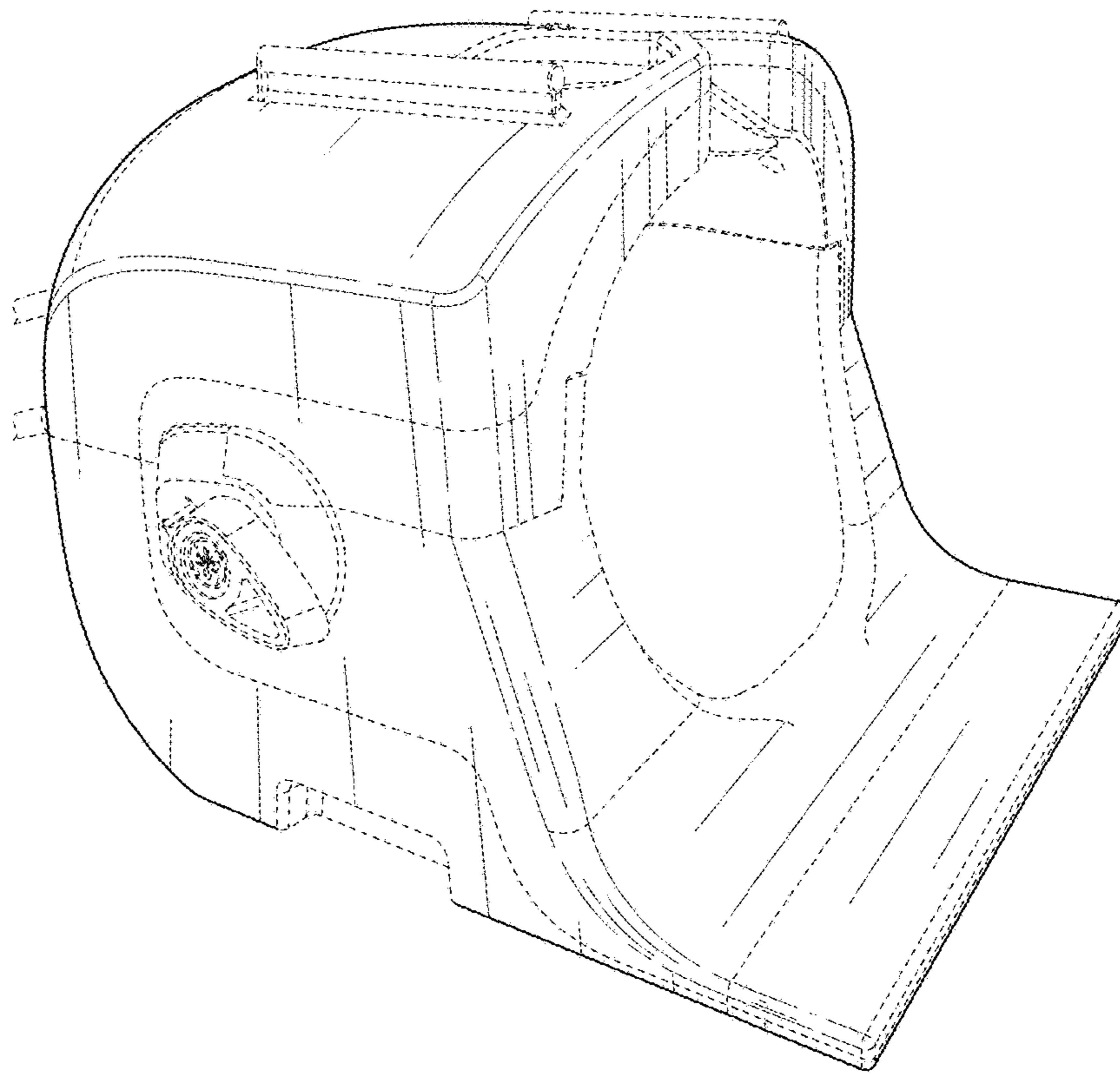


FIG. 1

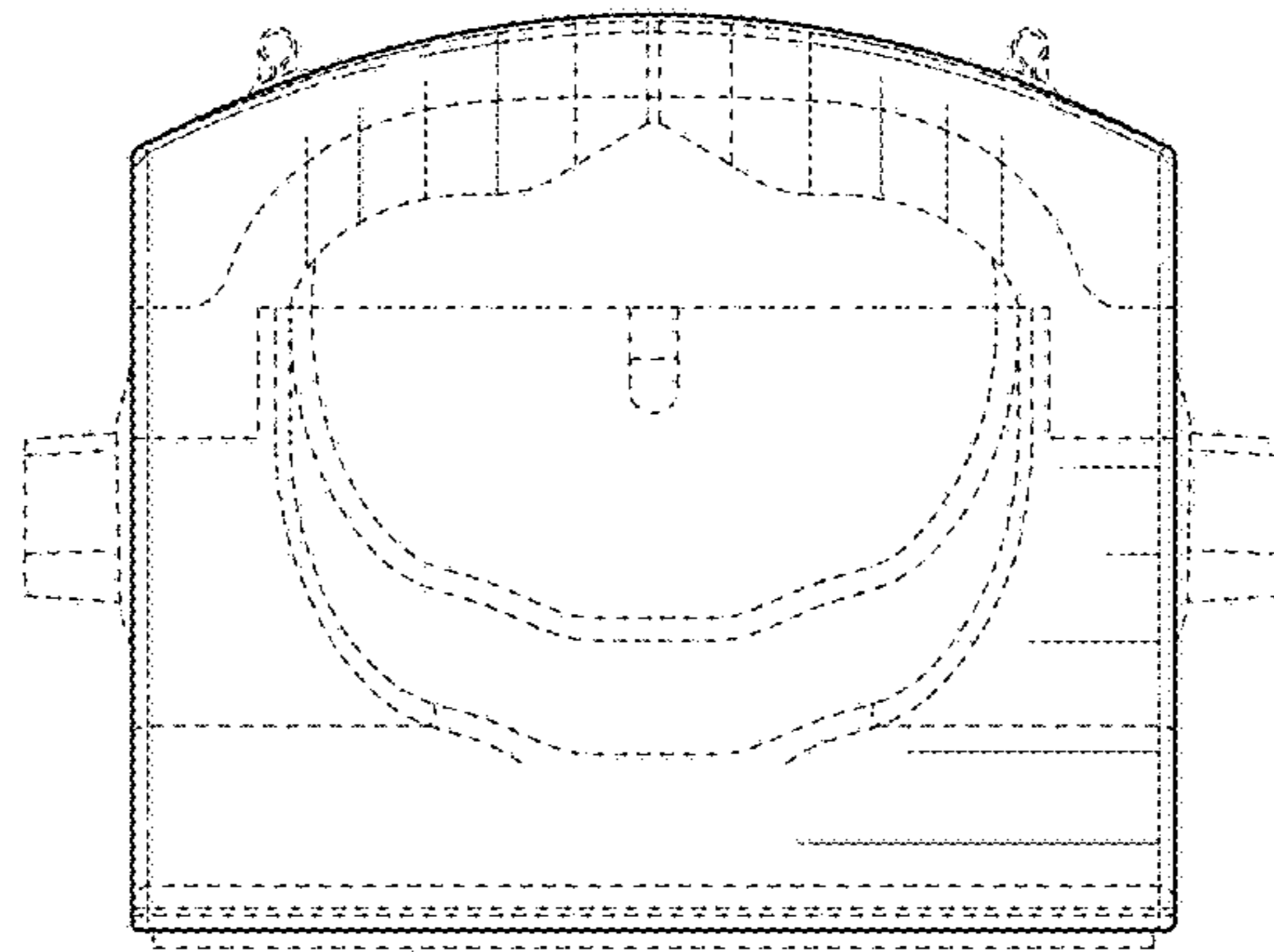


FIG. 2

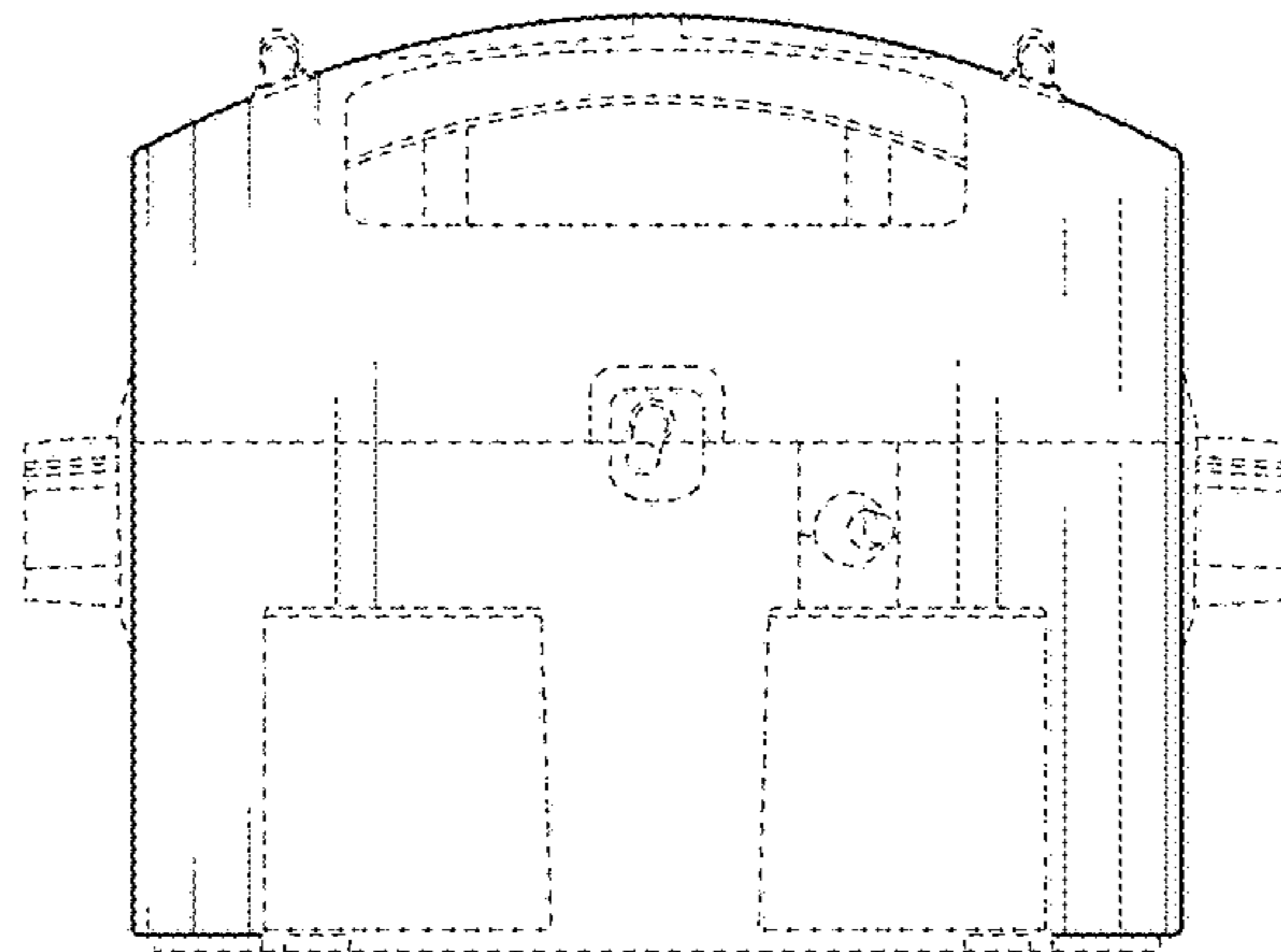


FIG. 3

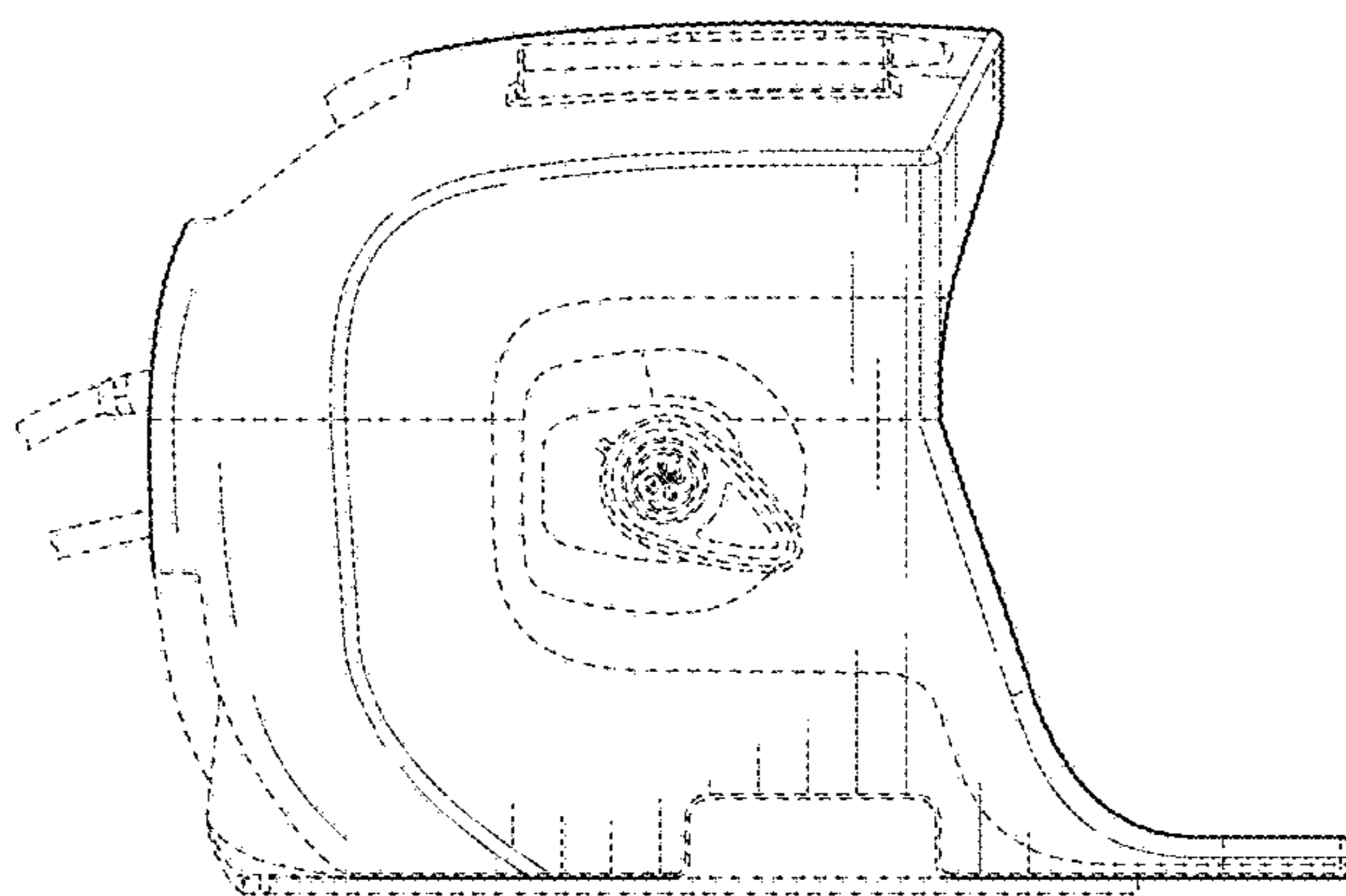


FIG. 4

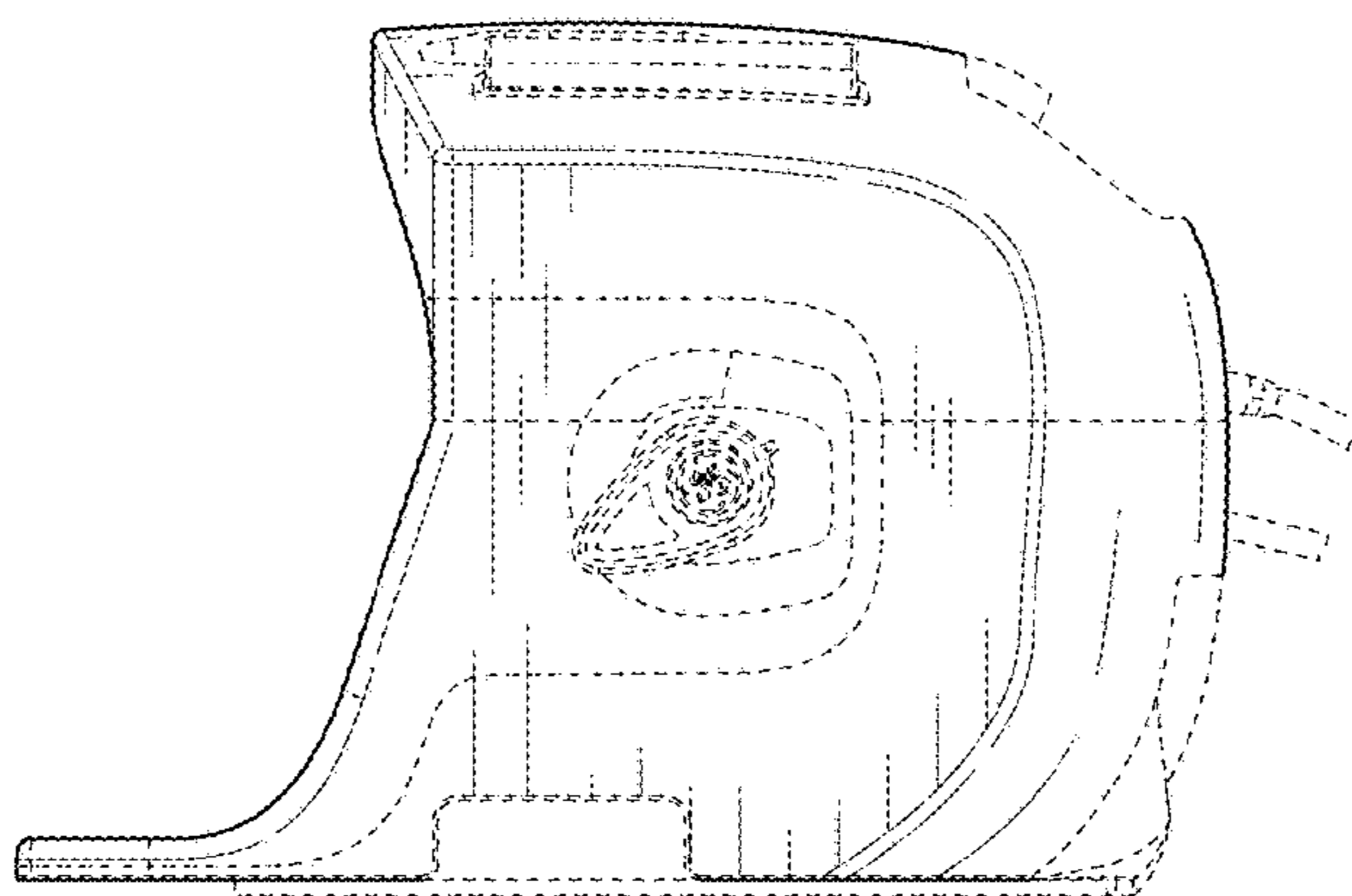


FIG. 5

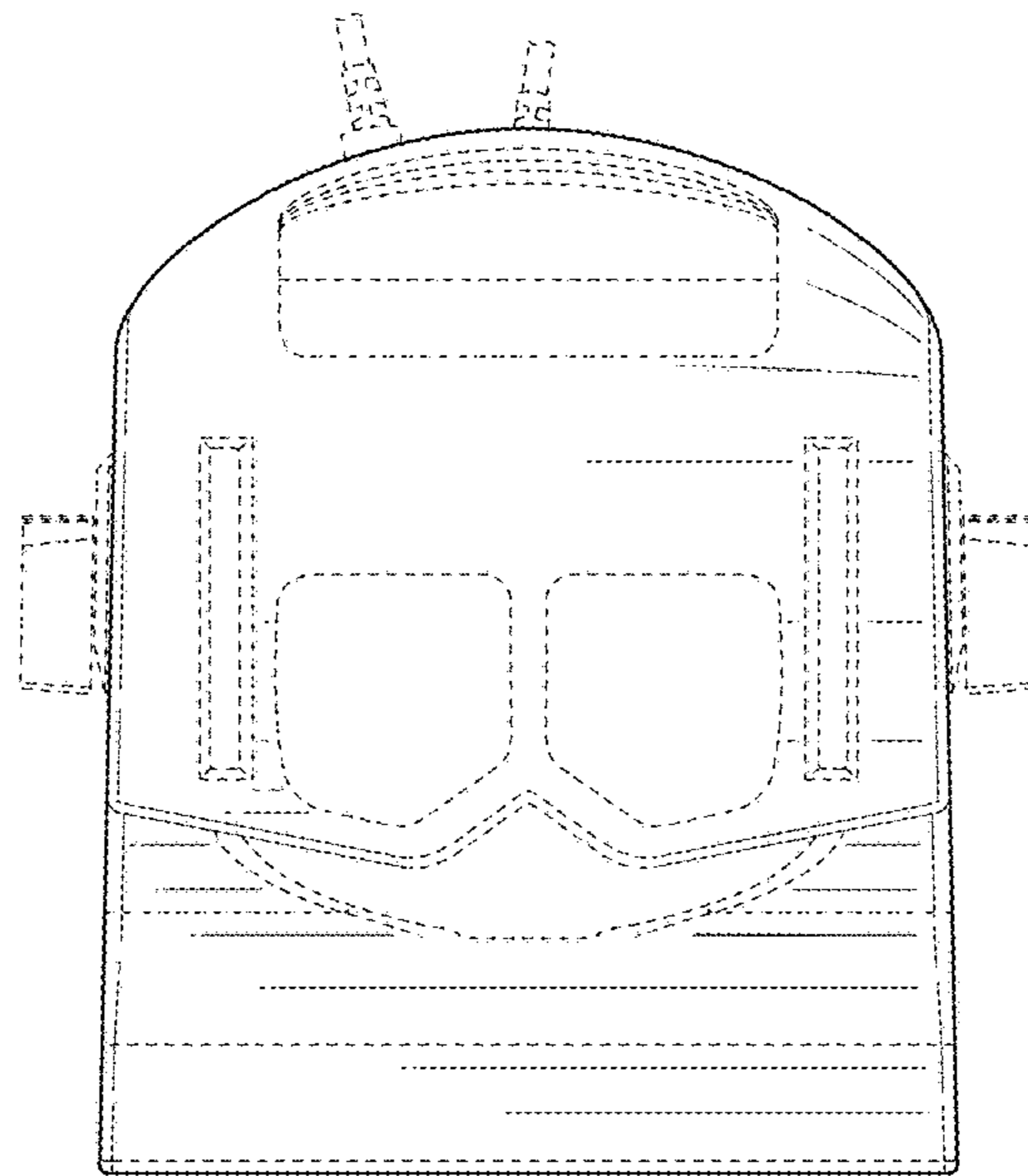


FIG. 6

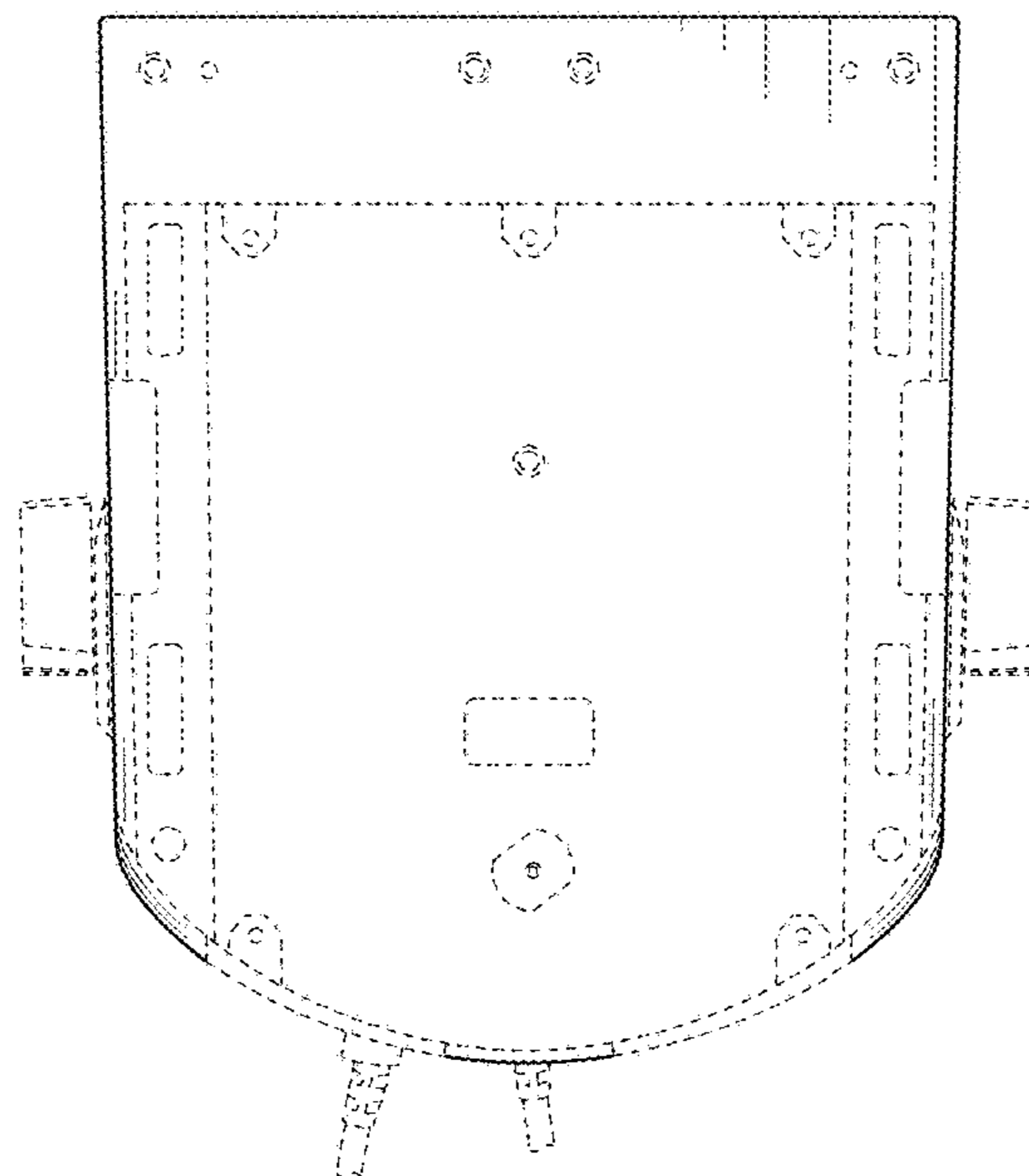


FIG. 7

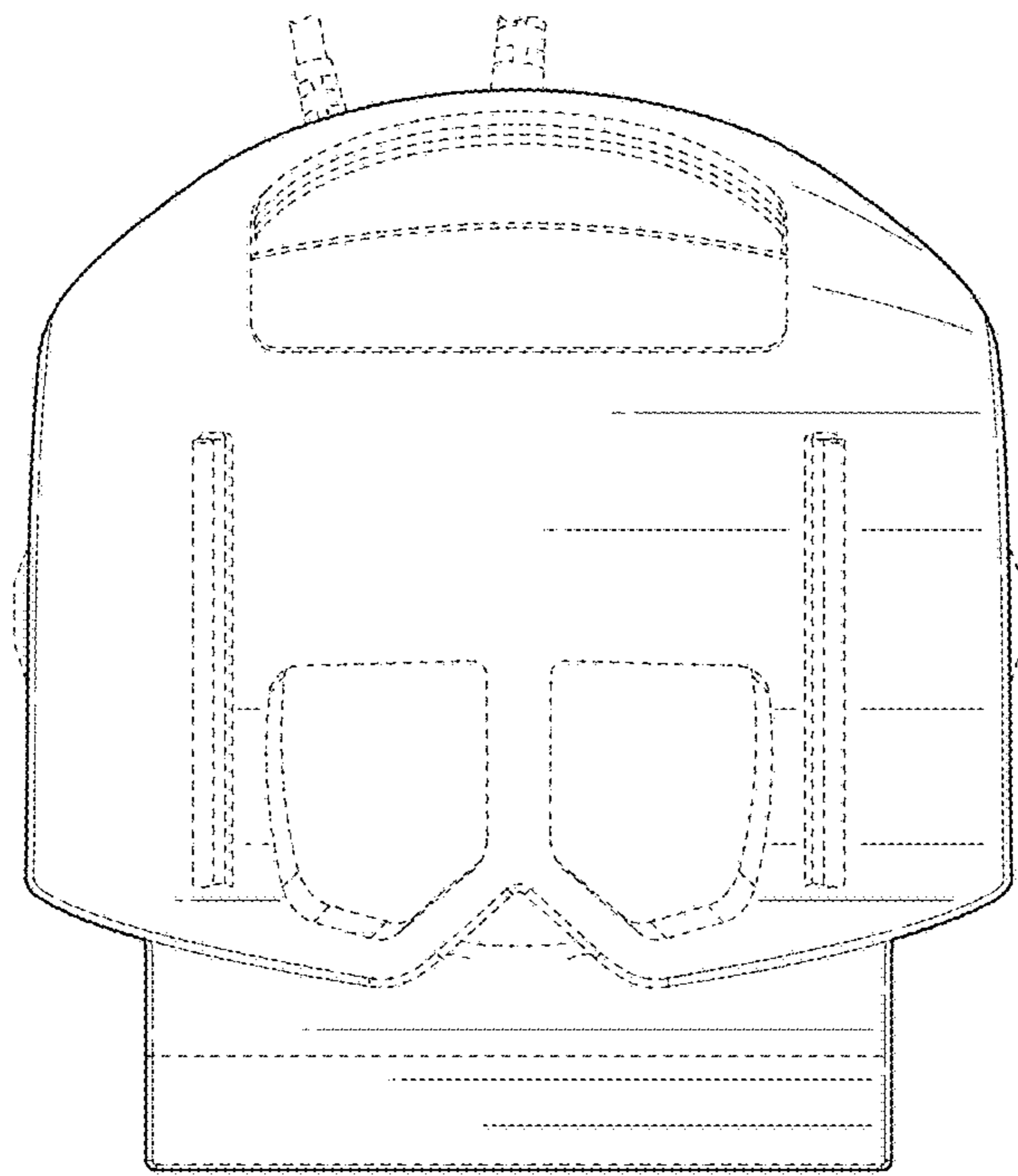


FIG. 8