

US00D844142S

(12) **United States Design Patent**
Bilodeau

(10) **Patent No.:** **US D844,142 S**

(45) **Date of Patent:** **** Mar. 26, 2019**

(54) **SCREWDRIVER**

(71) Applicant: **PANTHERA DENTAL INC.**, Québec (CA)

(72) Inventor: **Jean-Pierre Bilodeau**, Beaumont (CA)

(73) Assignee: **PANTHERA DENTAL INC.**, Quebec, Quebec (CA)

(**) Term: **15 Years**

(21) Appl. No.: **29/623,776**

(22) Filed: **Oct. 26, 2017**

(30) **Foreign Application Priority Data**

May 3, 2017 (CA) 174524

(51) **LOC (11) Cl.** **24-02**

(52) **U.S. Cl.**
USPC **D24/152**

(58) **Field of Classification Search**
USPC D24/152, 176, 133, 146-147, 154;
D8/85-86, 70, 82-83
CPC A61C 1/082; A61C 1/084; A61C 1/185;
A61C 3/02; A61C 3/00; A61C 8/0028;
A61C 8/005; A61C 8/0068; A61C
8/0089; B25B 23/0035; B25B 23/0042;
A61B 17/1615

See application file for complete search history.

(56) **References Cited**

U.S. PATENT DOCUMENTS

- 415,983 A * 11/1889 Starr A61C 3/02
433/165
- 482,558 A * 9/1892 Maillard A61C 3/02
433/165
- 2,334,755 A * 11/1943 Eglinton A61C 3/02
433/165
- 2,748,483 A * 6/1956 Hoffmeister A61C 3/02
433/166

- 2,845,709 A * 8/1958 Bjorklund A61C 3/02
433/165
- 3,309,772 A * 3/1967 Lieb A61C 3/02
433/166
- D351,908 S * 10/1994 Shaw D24/152
- D371,947 S * 7/1996 Mellinger D24/145

(Continued)

OTHER PUBLICATIONS

Qualite Operative Carbide Burs RA8 (2.3 mm head size), Right Angle Latch for Low Speed Handpieces, Round, Made in Canada (Pack of 10); retrieved from www.amazon.com: https://www.amazon.com/QUALITE-Operative-Carbide-RA8-Handpieces/dp/B00KR6YMNI/ref=zg_bs_8297598011_96?_encoding=UTF8&psc=1&refR. Reviewed Dec. 10, 2016.*

Primary Examiner — Wan Laymon

(74) *Attorney, Agent, or Firm* — Merchant & Gould P.C.

(57) **CLAIM**

The ornamental design for a screwdriver, as shown and described.

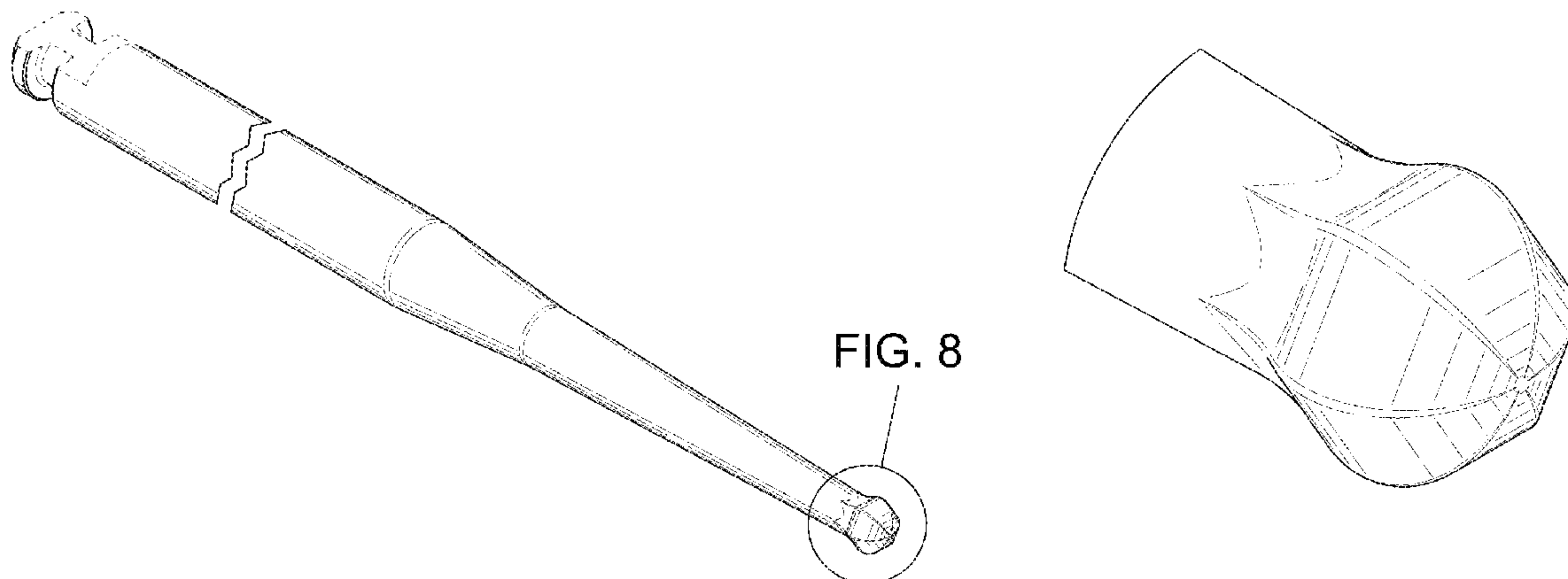
DESCRIPTION

FIG. 1 is a perspective view of a screwdriver showing my new design;
FIG. 2 is a left-side elevation view thereof;
FIG. 3 is a right-side elevation view thereof;
FIG. 4 is a top plan view thereof;
FIG. 5 is a bottom plan view thereof;
FIG. 6 is an enlarged front elevation view thereof;
FIG. 7 is an enlarged rear elevation view thereof; and,
FIG. 8 is an enlarged perspective view of a front portion thereof.

The portions shown in broken lines form no part of the claimed design.

The screwdriver is shown with a symbolic break in its length. The appearance of any portion of the article between the break lines forms no part of the claimed design.

1 Claim, 5 Drawing Sheets



(56)

References Cited

U.S. PATENT DOCUMENTS

5,575,650 A * 11/1996 Niznick A61C 8/0089
 408/224
 D558,348 S * 12/2007 Anitua Aldecoa D24/152
 D741,484 S * 10/2015 Cho D24/146
 D743,549 S * 11/2015 Sarig D24/152
 9,179,923 B2 * 11/2015 Gubellini A61B 17/1615
 9,763,754 B2 9/2017 Haus
 D827,406 S * 9/2018 Su D8/86
 2009/0202962 A1 * 8/2009 Xam-Mar Mangrane
 A61C 8/005
 433/173
 2009/0264888 A1 * 10/2009 Neumeyer A61B 17/1617
 606/80
 2010/0167240 A1 * 7/2010 Benzon A61C 8/0089
 433/174
 2011/0200964 A1 * 8/2011 Matsutani A61C 3/02
 433/165
 2015/0342617 A1 * 12/2015 Kunz A61C 3/02
 433/75
 2016/0361765 A1 * 12/2016 Danger A61C 3/00
 2016/0367337 A1 * 12/2016 Danger A61C 3/02

* cited by examiner

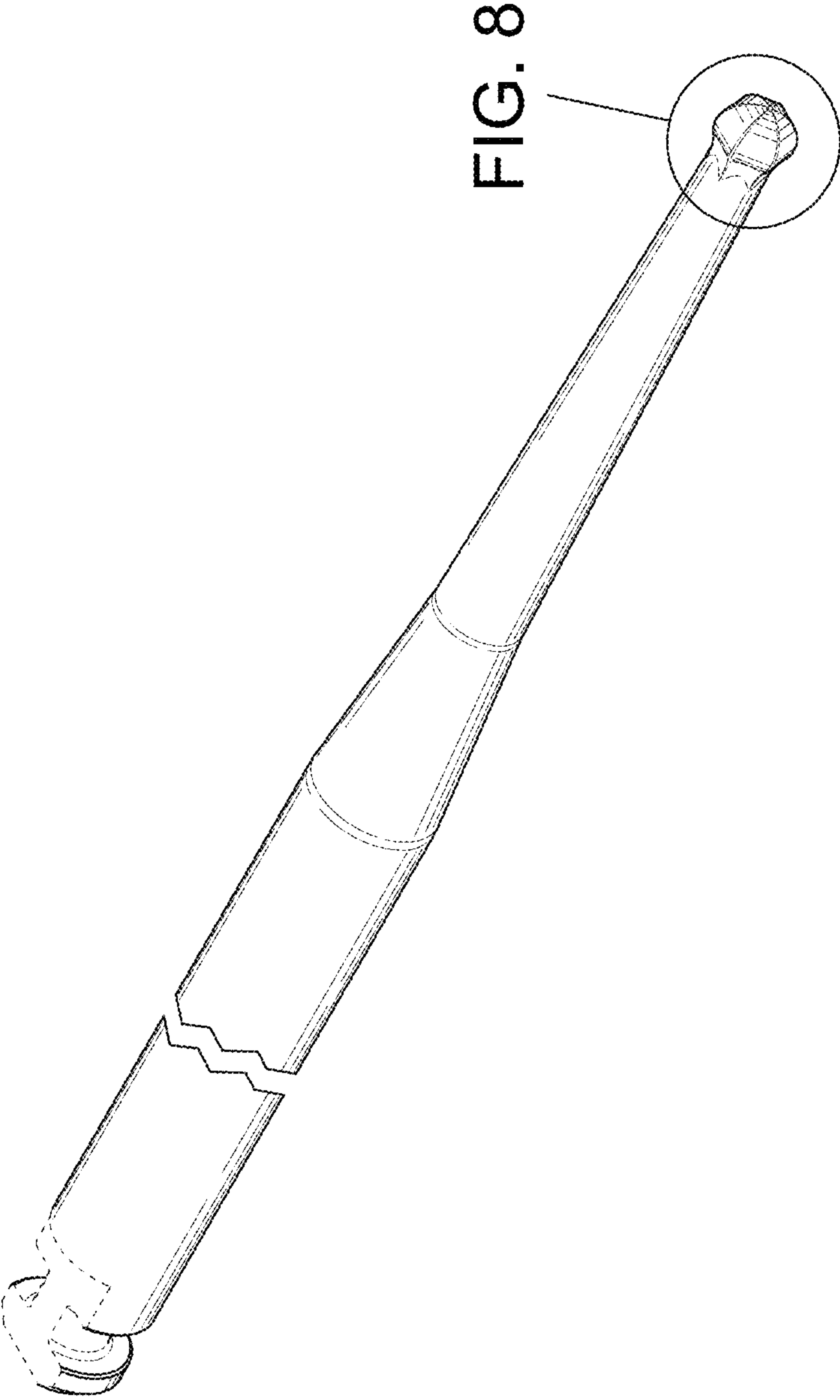


FIG. 1

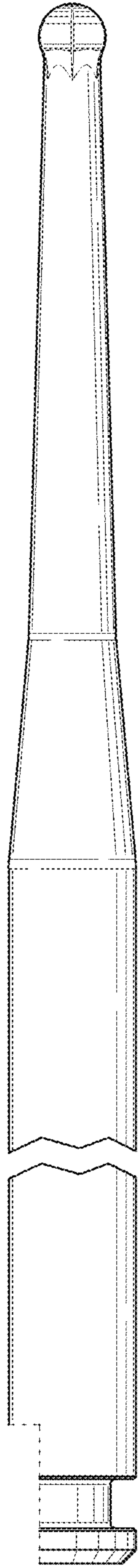


FIG. 2

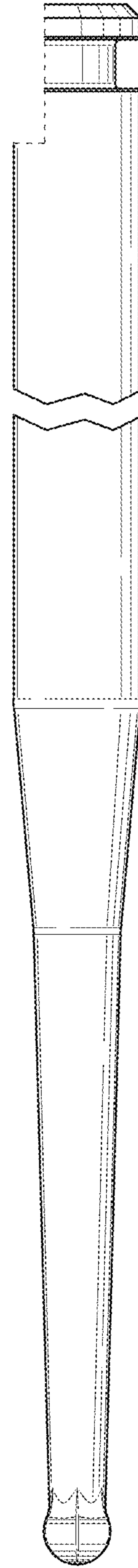


FIG. 3

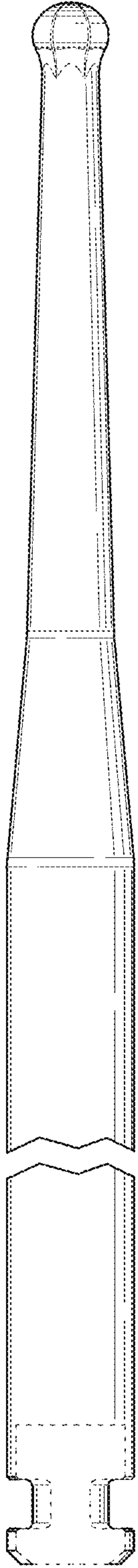


FIG. 4

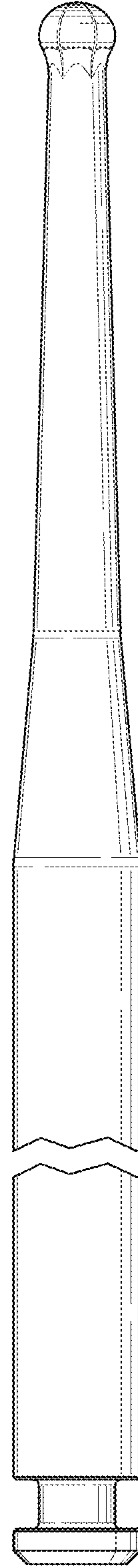


FIG. 5

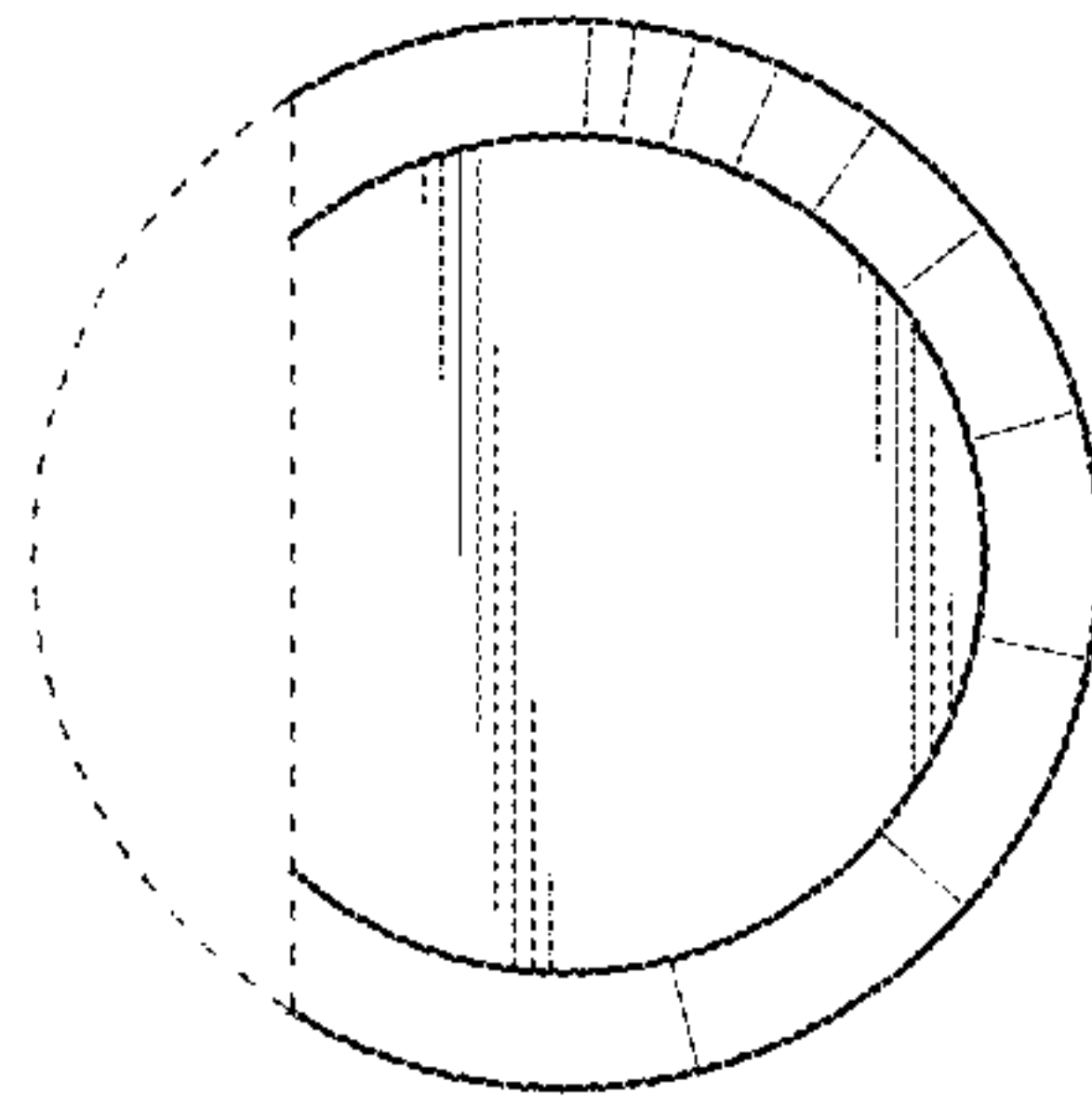


FIG. 7

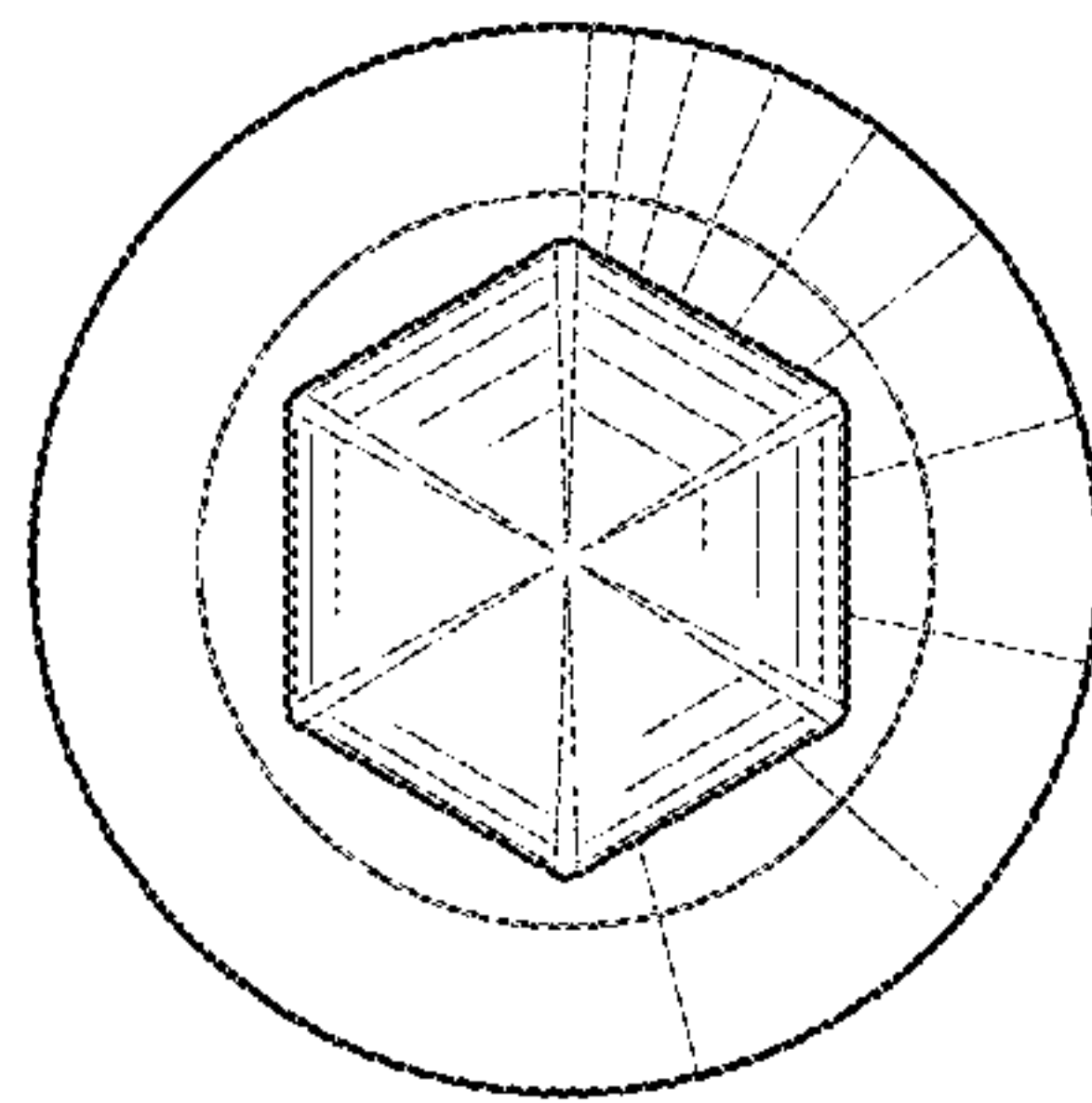


FIG. 6

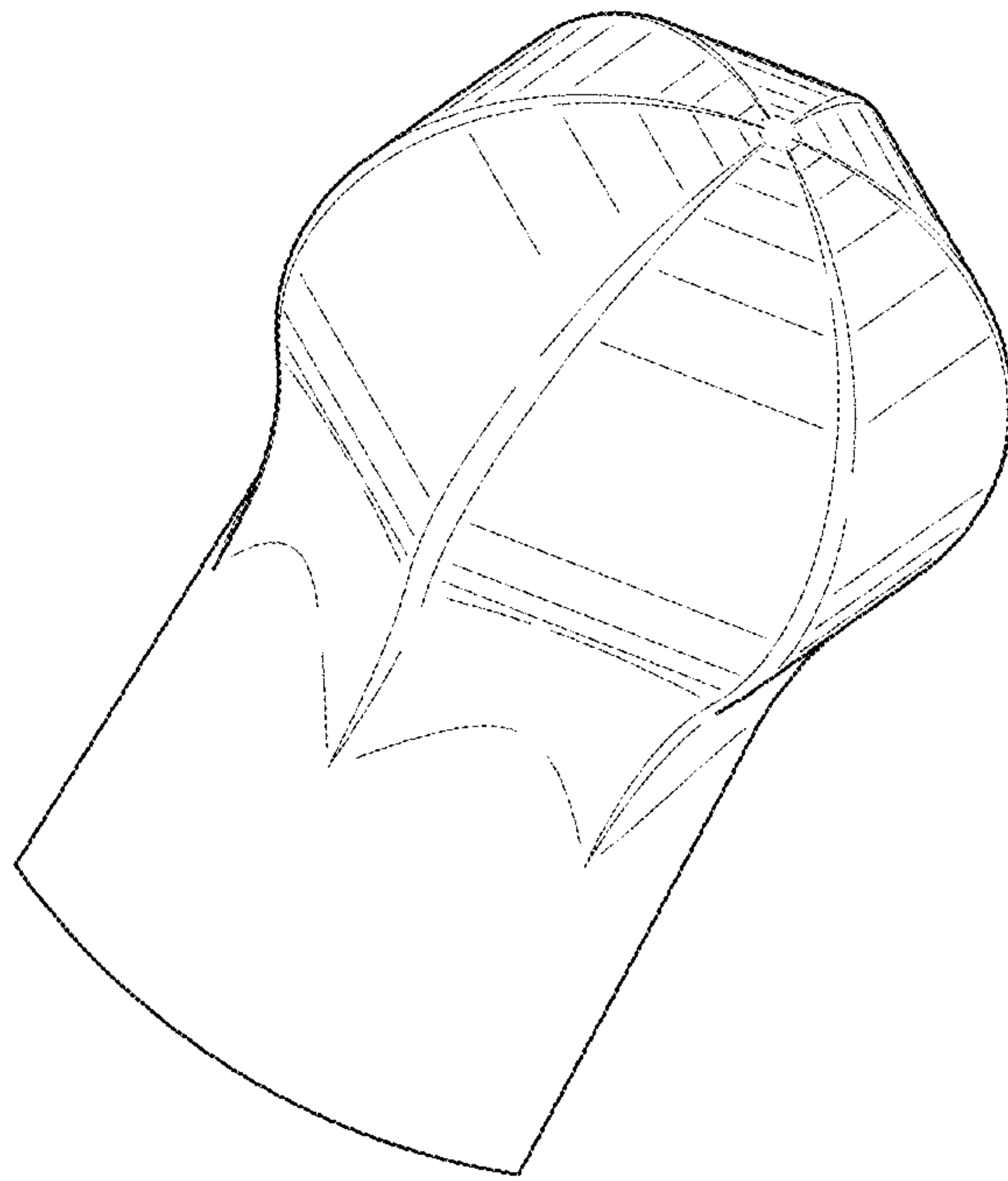


FIG. 8