



US00D844135S

(12) **United States Design Patent** (10) **Patent No.:** **US D844,135 S**
Tanaka et al. (45) **Date of Patent:** **** Mar. 26, 2019**

(54) **CONTROLLER FOR ENDOSCOPE**
(71) Applicant: **FUJIFILM Corporation**, Tokyo (JP)
(72) Inventors: **Kunihiko Tanaka**, Kanagawa (JP);
Koji Yoshida, Kanagawa (JP)
(73) Assignee: **FUJIFILM Corporation**, Tokyo (JP)
(**) Term: **15 Years**

D719,259 S * 12/2014 Shimobayashi D24/138
D734,764 S * 7/2015 Dellinger D14/485
D749,563 S * 2/2016 Akana D14/341
D754,340 S * 4/2016 Hayamizu D24/138
D754,852 S * 4/2016 Hayamizu D24/138
D782,457 S * 3/2017 Park D14/248
D784,533 S * 4/2017 Hayamizu D24/138
D789,533 S * 6/2017 Tanaka D24/138
D793,439 S * 8/2017 MacLean D14/491

(21) Appl. No.: **29/540,390**
(22) Filed: **Sep. 24, 2015**

(30) **Foreign Application Priority Data**

Mar. 24, 2015 (JP) 2015-006341

(51) **LOC (11) Cl.** **24-02**

(52) **U.S. Cl.**
USPC **D24/138**

(58) **Field of Classification Search**
USPC D24/108, 160, 111, 138; D20/27;
D14/371
CPC A61B 1/0676; A61B 1/0125; A61B 1/00;
A61B 1/00137; A61B 1/005; A61B
1/0014; A61B 1/0669; A61B 1/00121;
A61B 1/00133; A61B 1/00071; A61B
1/00064; A61B 1/00068; A61B 1/00112;
A61B 17/3478

See application file for complete search history.

(56) **References Cited**

U.S. PATENT DOCUMENTS

D252,027 S * 6/1979 Imazeki D14/198
D481,123 S * 10/2003 Hayamizu D24/107
D535,745 S * 1/2007 Hayamizu D24/107
D640,376 S * 6/2011 Amano D24/107
D640,377 S * 6/2011 Amano D24/107
D670,806 S * 11/2012 Hayamizu D24/138

OTHER PUBLICATIONS

Interstate 15 Northbound Escondido Freeway Riverside Sign posted on Apr. 18, 2009 by Ryamond Yu on Flickr at <https://www.flickr.com/photos/raymondye/4625548146> found on Mar. 5, 2018.*

* cited by examiner

Primary Examiner — Eliza Z Bennett-Hattan

(74) *Attorney, Agent, or Firm* — Young & Thompson

(57) **CLAIM**

The ornamental design for a controller for endoscope, as shown and described.

DESCRIPTION

FIG. 1 is a top, front and right side perspective view of a controller for endoscope showing my new design;
FIG. 2 is a front elevational view thereof;
FIG. 3 is a rear elevational view thereof;
FIG. 4 is a top plan view thereof;
FIG. 5 is a bottom plan view thereof;
FIG. 6 is a left side elevational view thereof;
FIG. 7 is a right side elevational view thereof; and,
FIG. 8 is a top, front and right side perspective view thereof in a manner of use.

The broken line portions of the controller for endoscope throughout the drawings are shown to illustrate environment only and form no part of the claimed design.

1 Claim, 6 Drawing Sheets

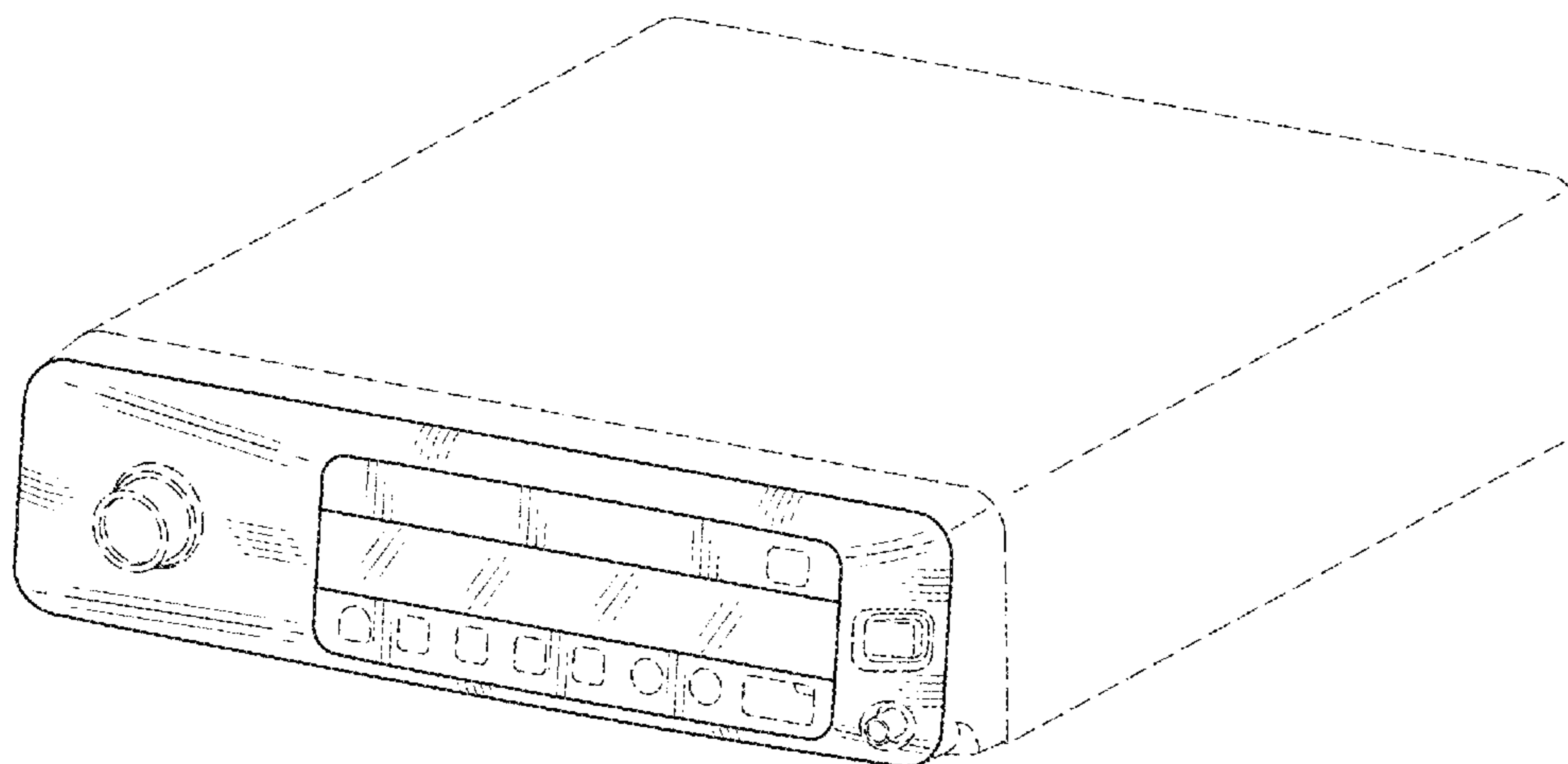


FIG. 1

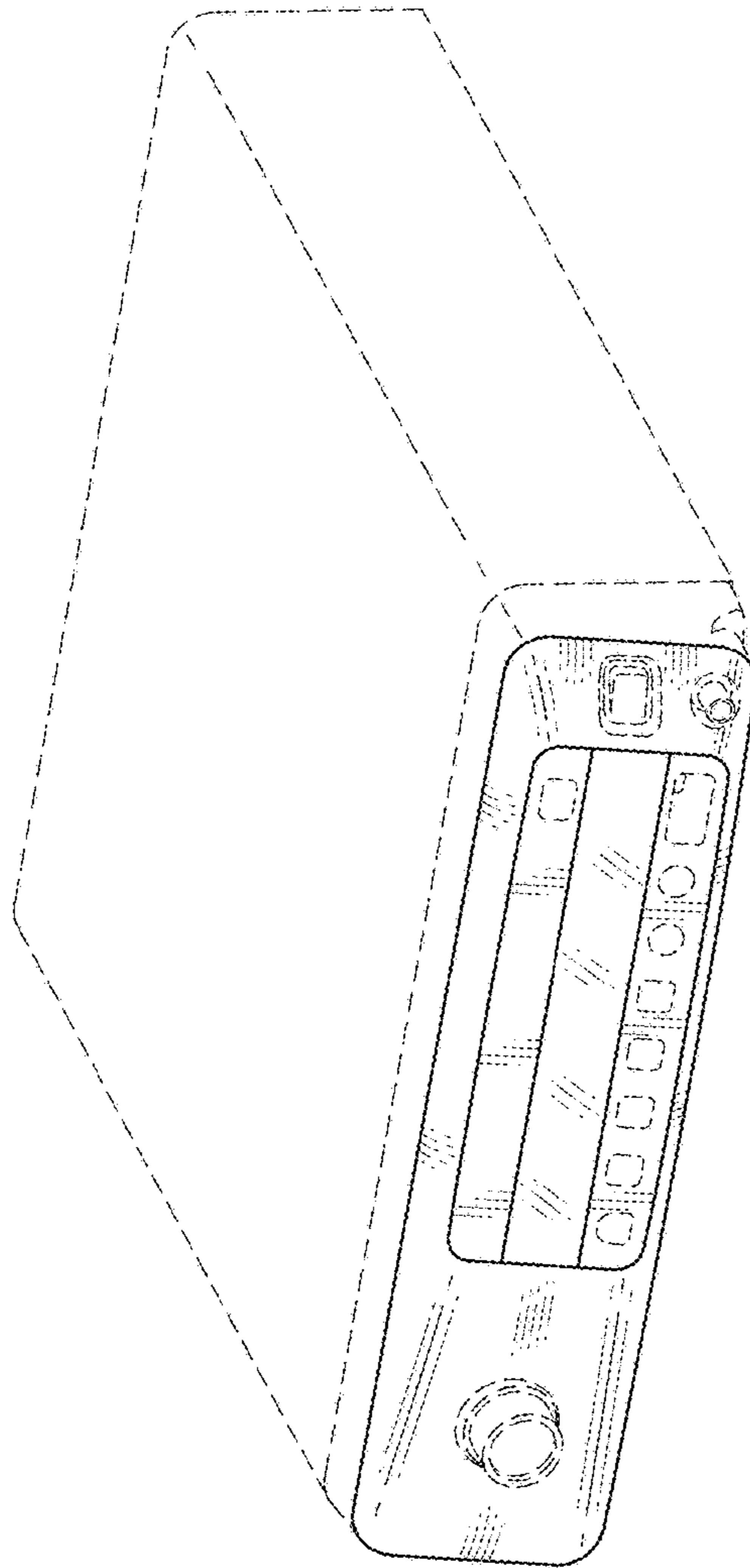


FIG. 2

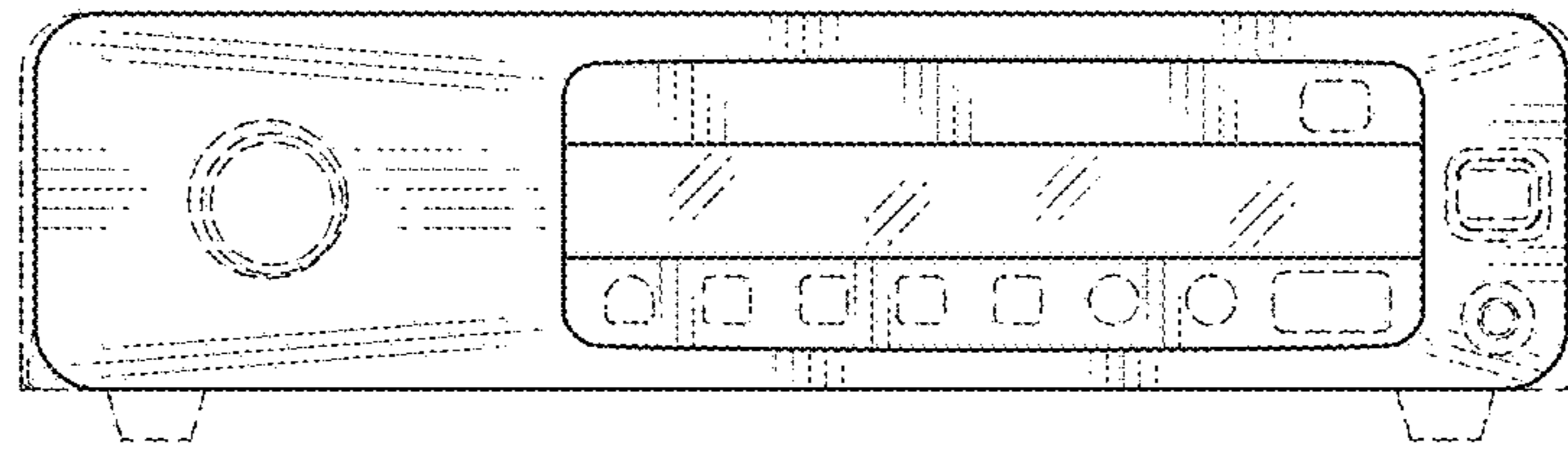


FIG. 3

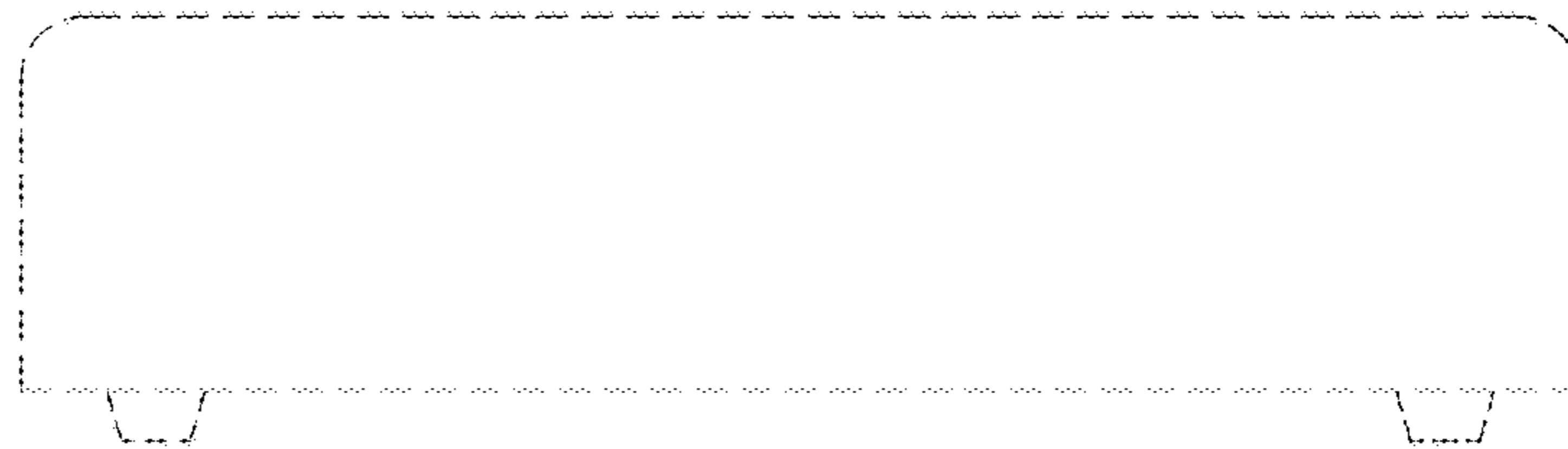


FIG. 4



FIG. 5

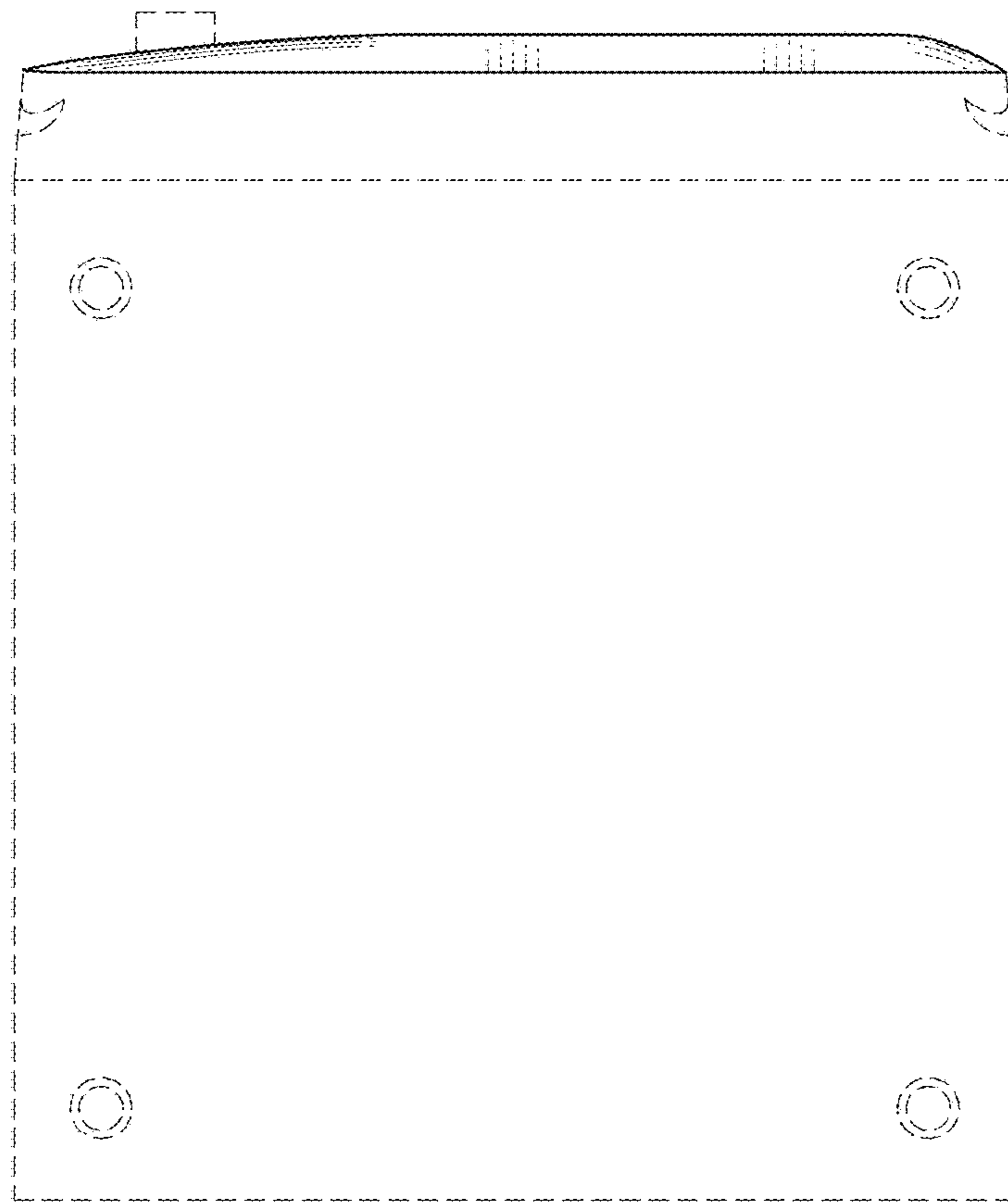


FIG. 6

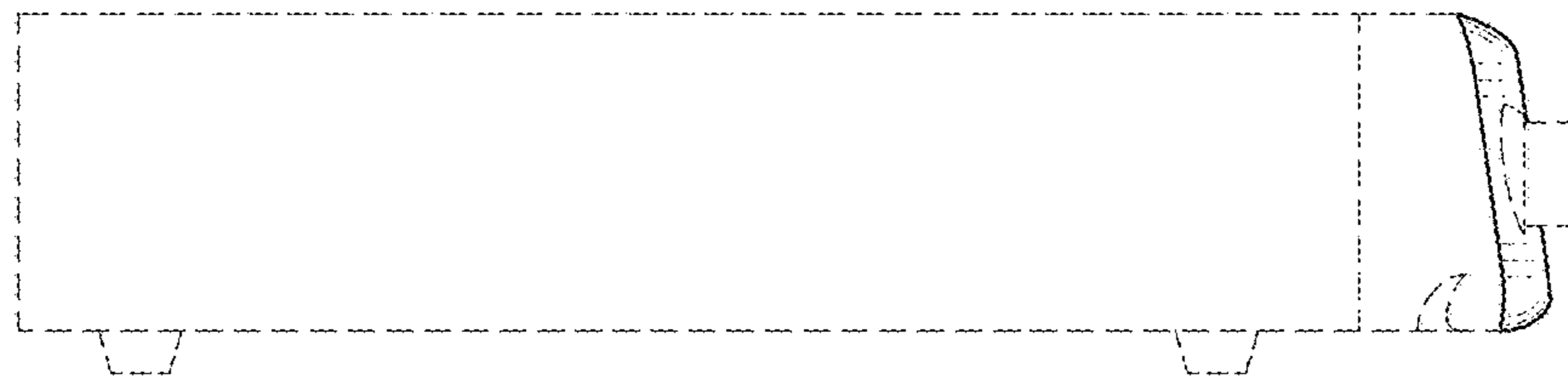


FIG. 7

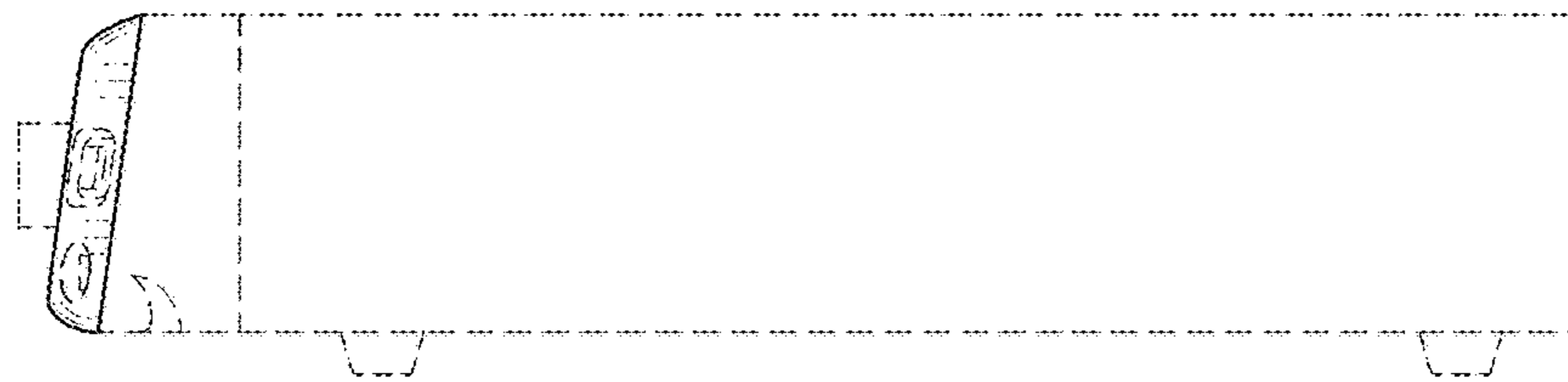


FIG. 8

