



US00D844134S

(12) **United States Design Patent** (10) **Patent No.:** **US D844,134 S**
Bello et al. (45) **Date of Patent:** **** Mar. 26, 2019**

(54) **STETHOSCOPE CHESTPIECE** 2004/0114767 A1* 6/2004 Tseng A61B 7/02
381/67
(71) Applicant: **Heartbuds, LLC**, Winter Park, FL (US) 2008/0045161 A1 2/2008 Lee et al.
2008/0146277 A1 6/2008 Anglin et al.
(72) Inventors: **David Bello**, Winter Park, FL (US); 2010/0081946 A1 4/2010 Garudadri et al.
Arnold Einhorn, Winter Park, FL (US) 2010/0217100 A1 8/2010 LeBoeuf et al.
2011/0301435 A1 12/2011 Albert et al.
(73) Assignee: **HEARTBUDS, LLC**, Winter Park, FL 2012/0071743 A1 3/2012 Todorov et al.
(US) 2012/0071776 A1 3/2012 Keithline et al.
(Continued)

(**) Term: **15 Years**
(21) Appl. No.: **29/559,332**
(22) Filed: **Mar. 28, 2016**

Related U.S. Application Data

(63) Continuation of application No. 13/951,812, filed on Jul. 26, 2013, now Pat. No. 9,301,032.
(51) **LOC (11) Cl.** **24-02**
(52) **U.S. Cl.**
USPC **D24/134**
(58) **Field of Classification Search**
USPC D24/134
CPC A61B 7/02; A61B 7/04; A61B 7/00; A61B 7/003; A61B 5/024; A61B 5/08; A61B 5/0816; A61B 8/0883
See application file for complete search history.

References Cited

(56) **U.S. PATENT DOCUMENTS**
4,362,164 A 12/1982 Little et al.
4,458,778 A 7/1984 Bloom
5,852,263 A 12/1998 Dieken
D432,237 S * 10/2000 Shick D24/134
6,475,146 B1 11/2002 Frelburger et al.
6,610,012 B2 8/2003 Mault
6,790,178 B1 9/2004 Mault et al.
D676,961 S * 2/2013 Hatch D14/134
D711,532 S * 8/2014 Habboushe D24/134
D791,942 S * 7/2017 Hussain D24/134

OTHER PUBLICATIONS

HeartBuds Electronic Stethoscope posted by HeartBuds on Feb. 4, 2015 found on Aug. 10, 2018 at https://www.amazon.com/HeartBuds-Hb-001-01/dp/B00T6NLD4/ref=cm_cr_arp_d_product_top?ie=UTF8.
(Continued)

Primary Examiner — Eliza Z Bennett-Hattan
(74) *Attorney, Agent, or Firm* — Allen Dyer Doppelt & Gilchrist, PA

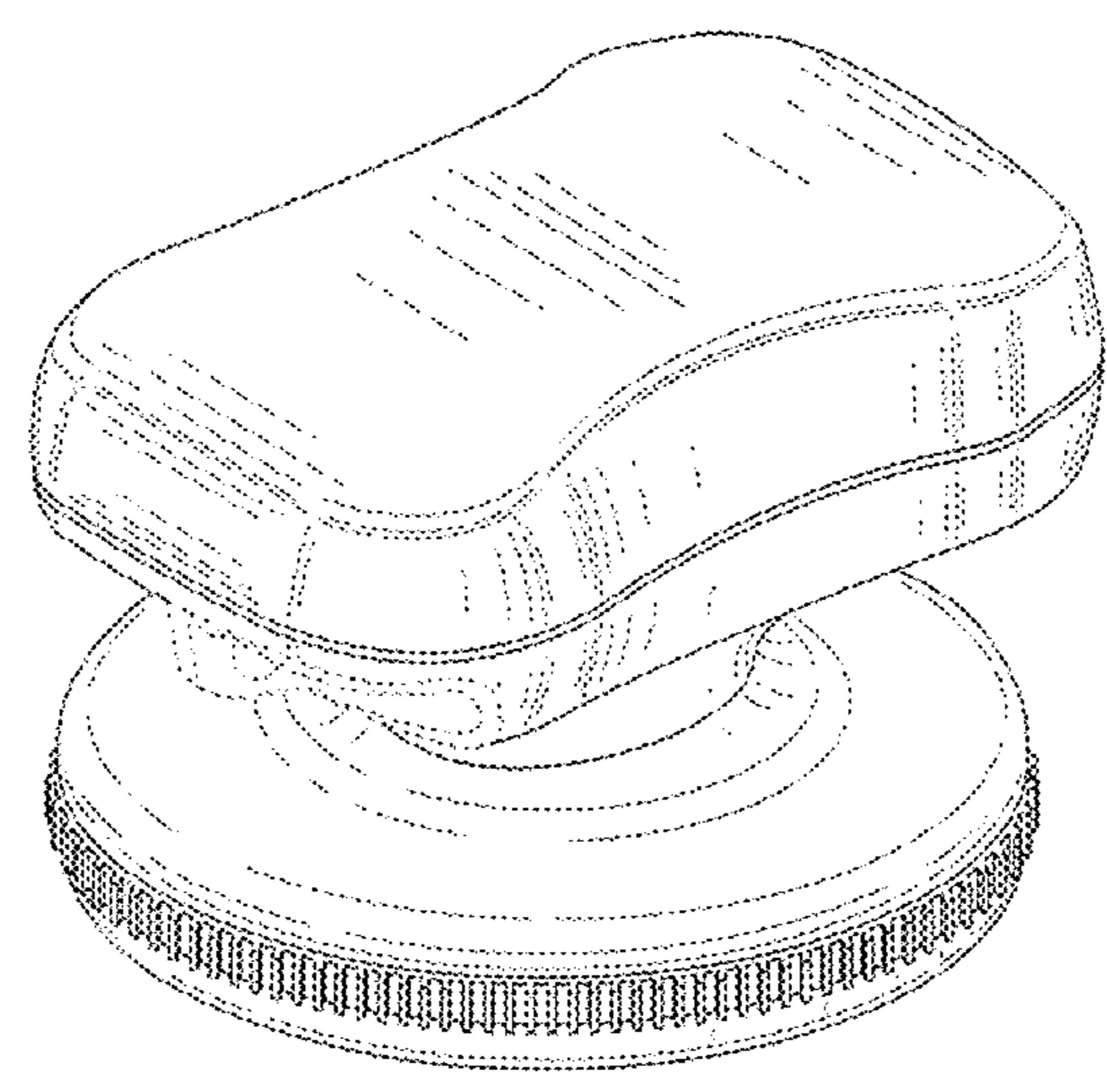
CLAIM

(57) The ornamental design for a stethoscope chestpiece, as shown and described.

DESCRIPTION

FIG. 1 is a bottom, left, first end perspective view of the stethoscope chestpiece.
FIG. 2 is a top, left, first end perspective view of the design of FIG. 1;
FIG. 3 is a second end view of the design of FIG. 1;
FIG. 4 is a first end view of the design of FIG. 1;
FIG. 5 is a right side view of the design of FIG. 1, the left side being a mirror image thereof;
FIG. 6 is a top view of the design of FIG. 1; and,
FIG. 7 is a bottom view of the design of FIG. 1.
The broken lines represent unclaimed portions of the stethoscope chestpiece.

1 Claim, 4 Drawing Sheets



(56)

References Cited

U.S. PATENT DOCUMENTS

2012/0209132 A1 8/2012 Jones et al.
2013/0116584 A1 6/2013 Kapoor

OTHER PUBLICATIONS

Jeff Thompson: "Thinklabs Digital Stethoscopes, Electronic Stethoscope Systems"; Jun. 18, 2013; <http://www.thinklabsmedical.com/>.
Pete Wilton: "Mobile Phones Offer Heart Lifeline"; Sep. 16, 2011; University of Oxford; http://www.ox.ac.uk/media/science_blog/160911.html.

Life as a Medical Student: A Weekley Dose of Medical School: "Digital Instruments for Your Phone"; Aug. 14, 2011; pp. 1-5; <http://lifeasamedicalstudent.blogspot.com/2011/08/digital-medical-instruments-for-your.ht>.

Thomas Brennan: "Integrating low-cost sensors with mobile phones for remote monitoring of long-term conditions in resource-constrained environments"; Institute of Biomedical Engineering, University of Oxford; thomas.brennan@eng.ox.ac.uk.

Katherine L. Kuan: A Framework for Automated Hart and Lung Sound Analysis Using a Mobile Telemedicine Platform; Massachusetts Institute of Technology; Jul. 2010.

* cited by examiner

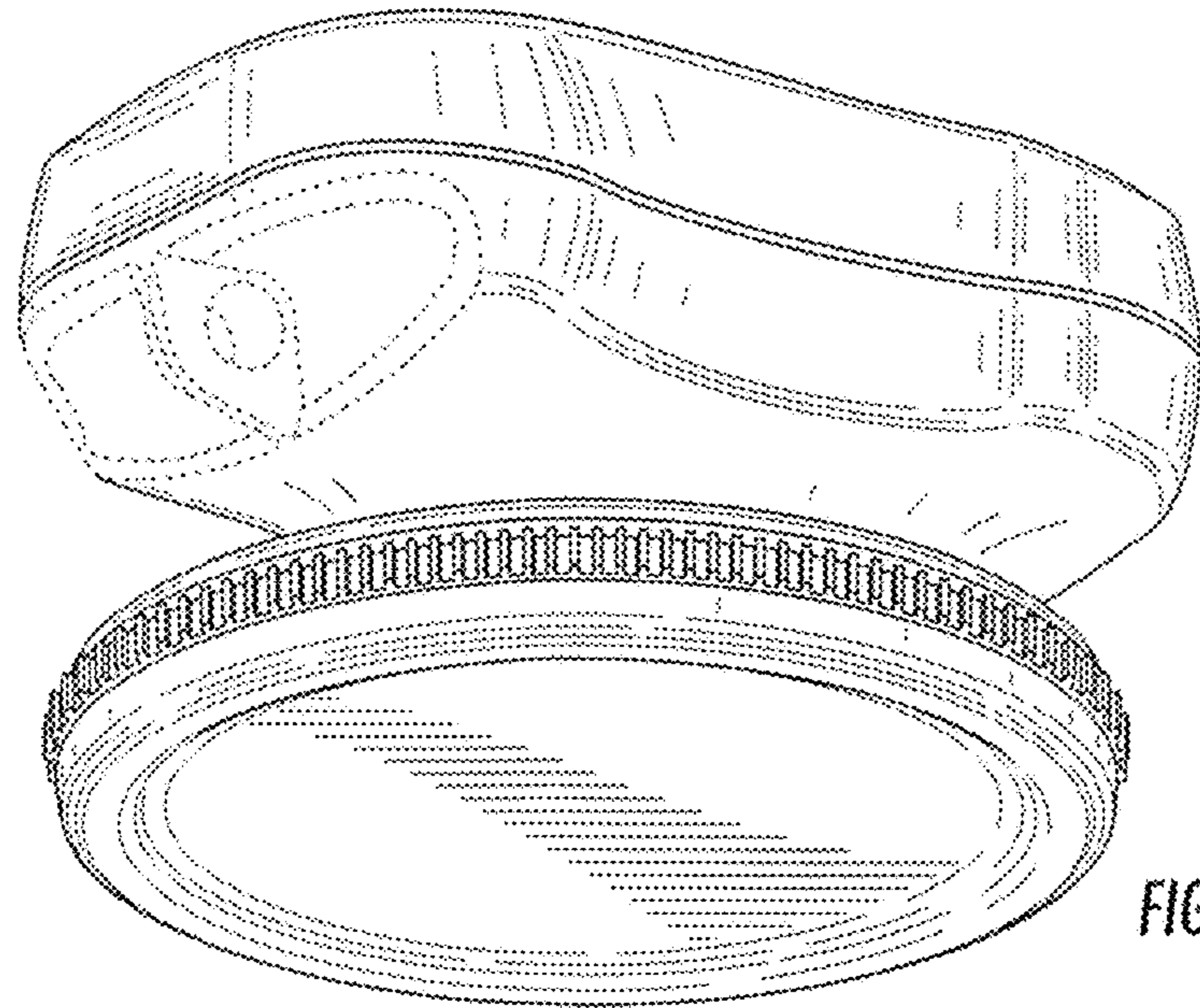


FIG. 1

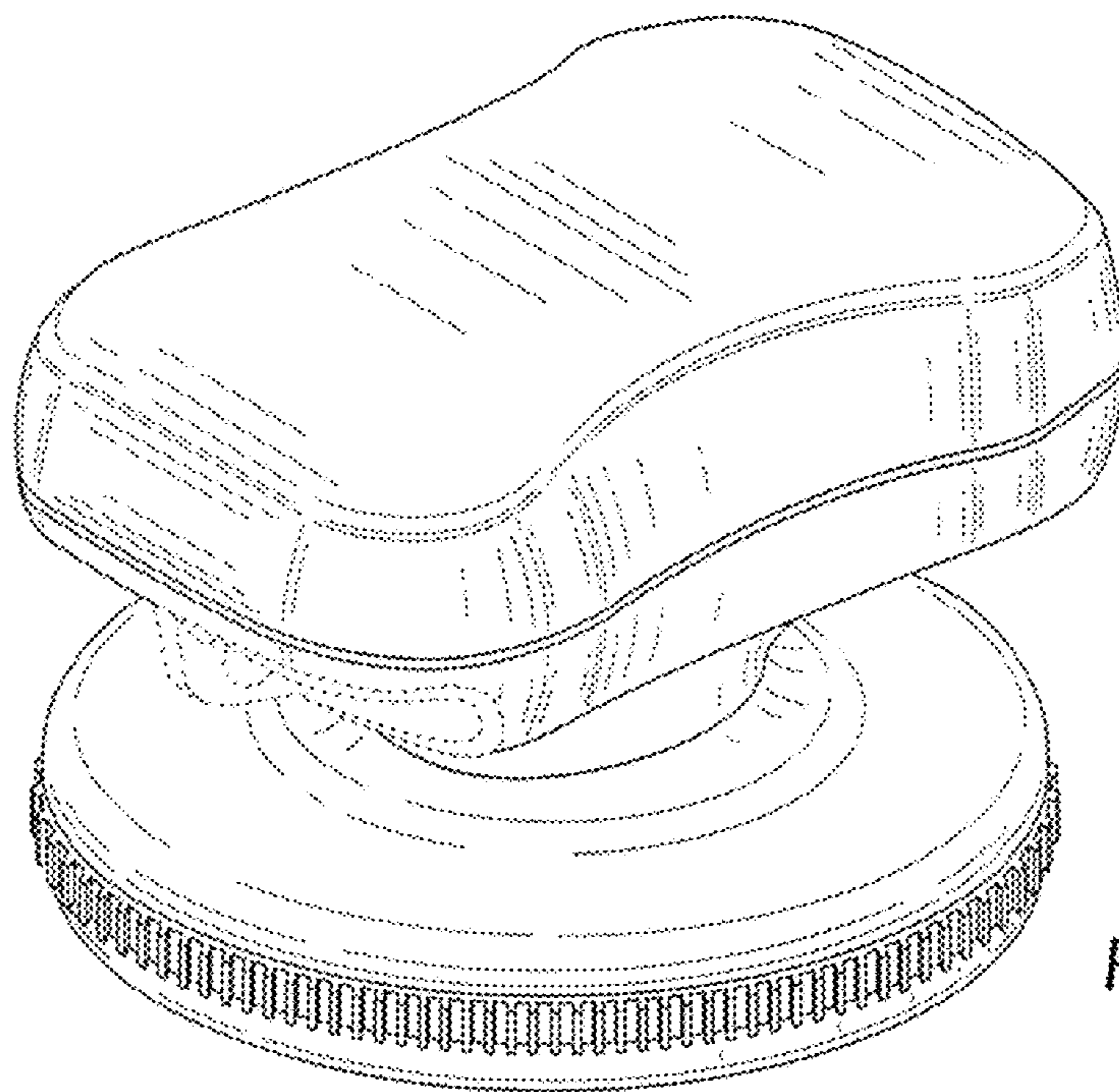


FIG. 2

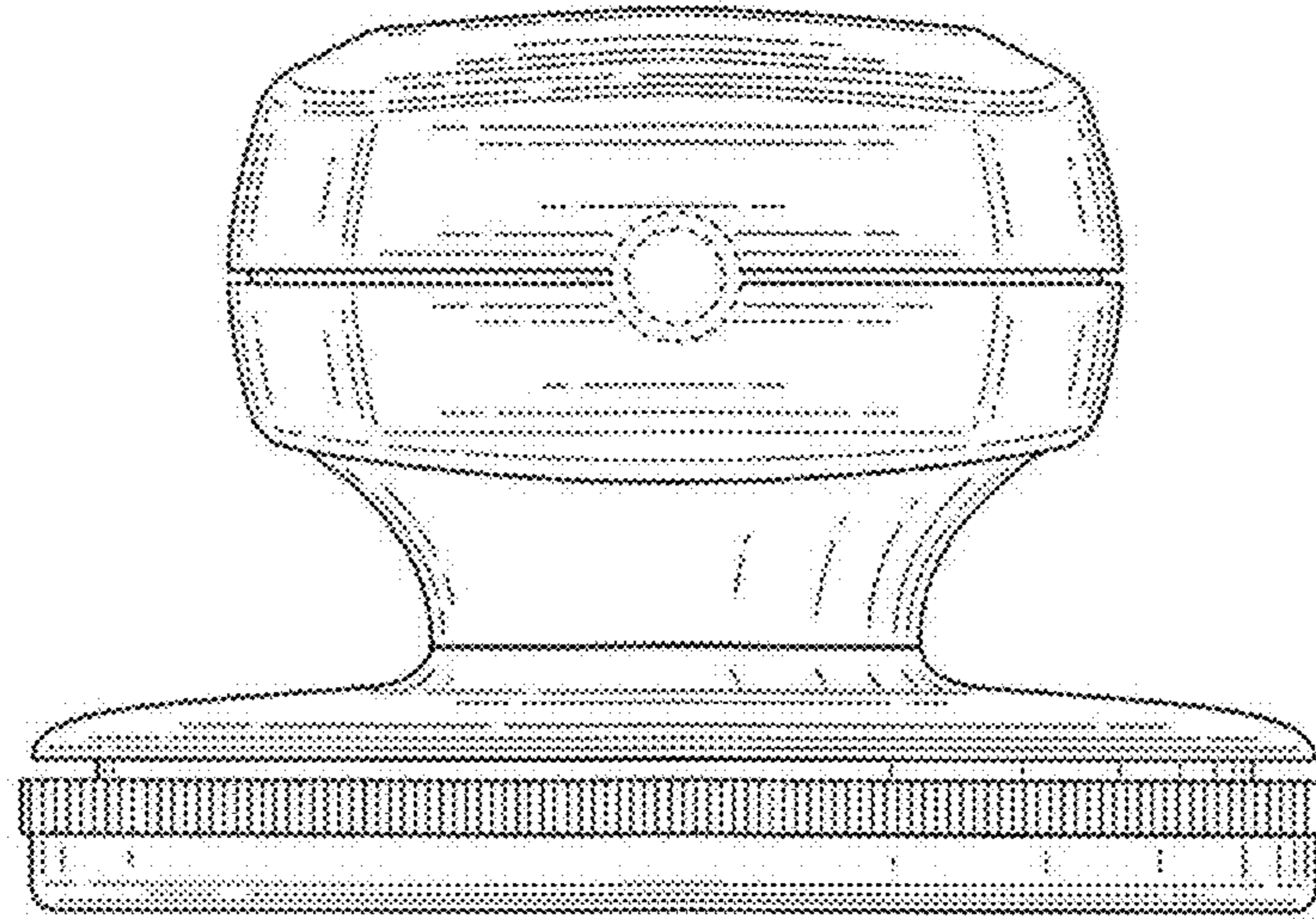


FIG. 3

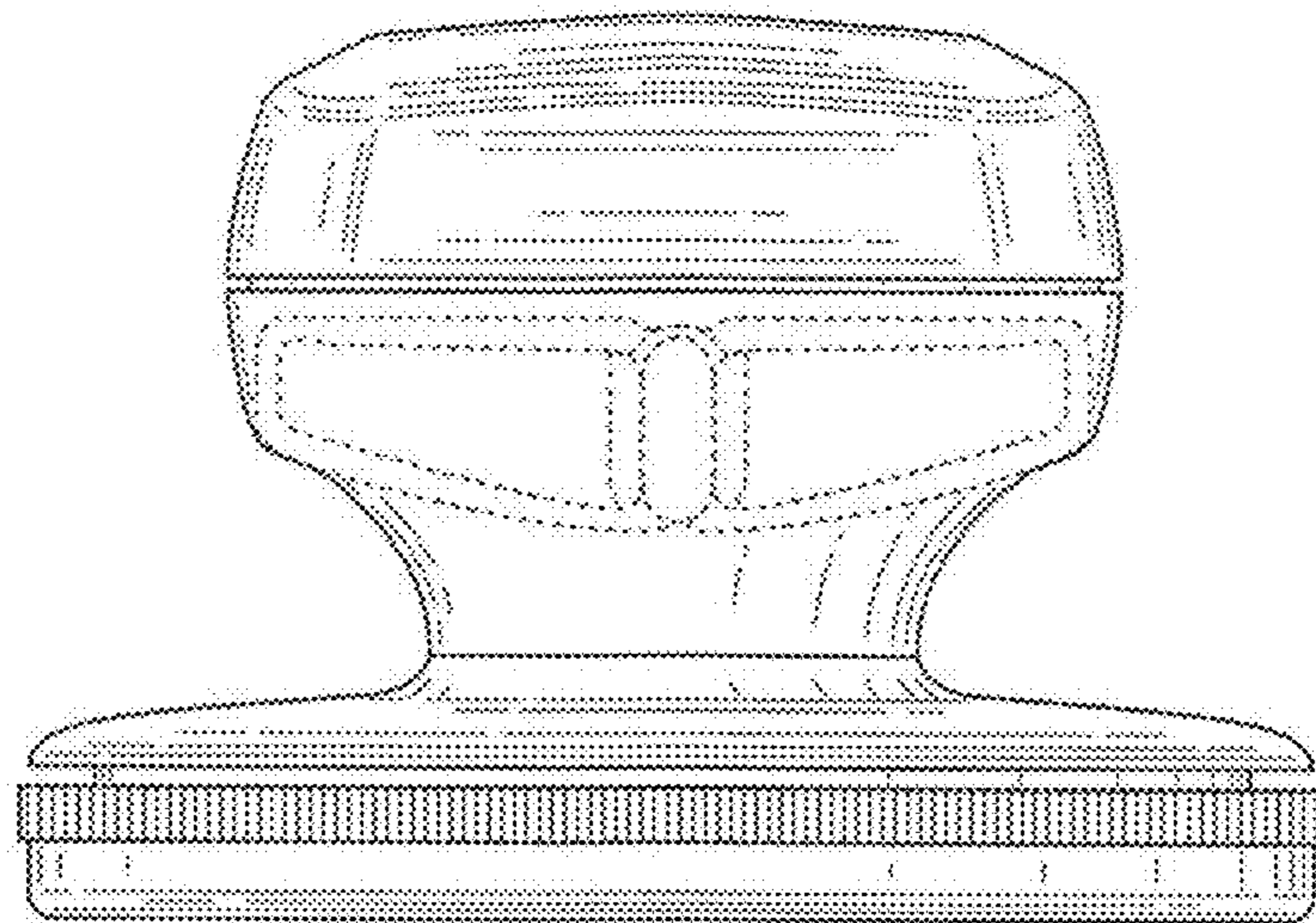


FIG. 4

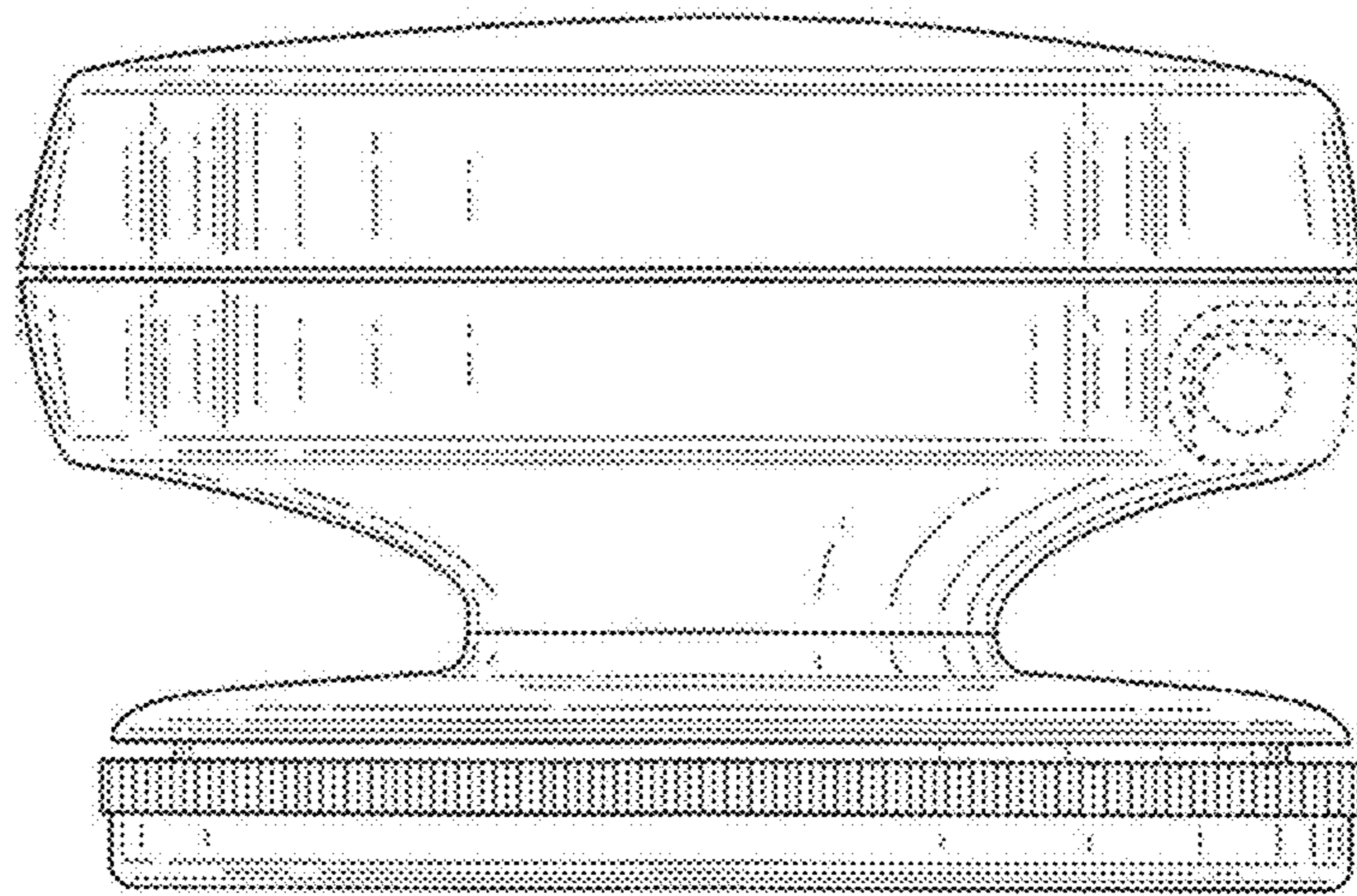


FIG. 5

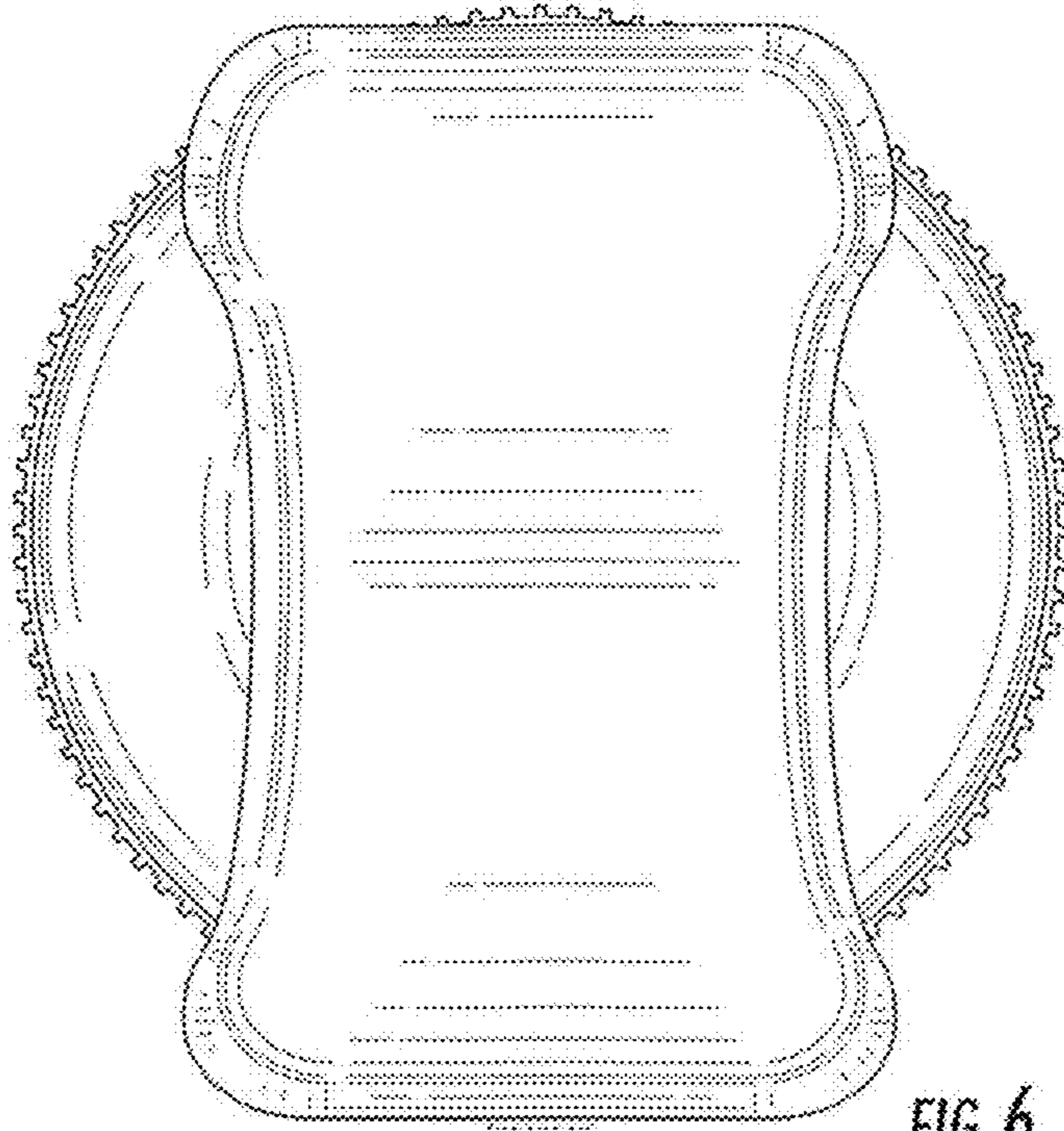


FIG. 6

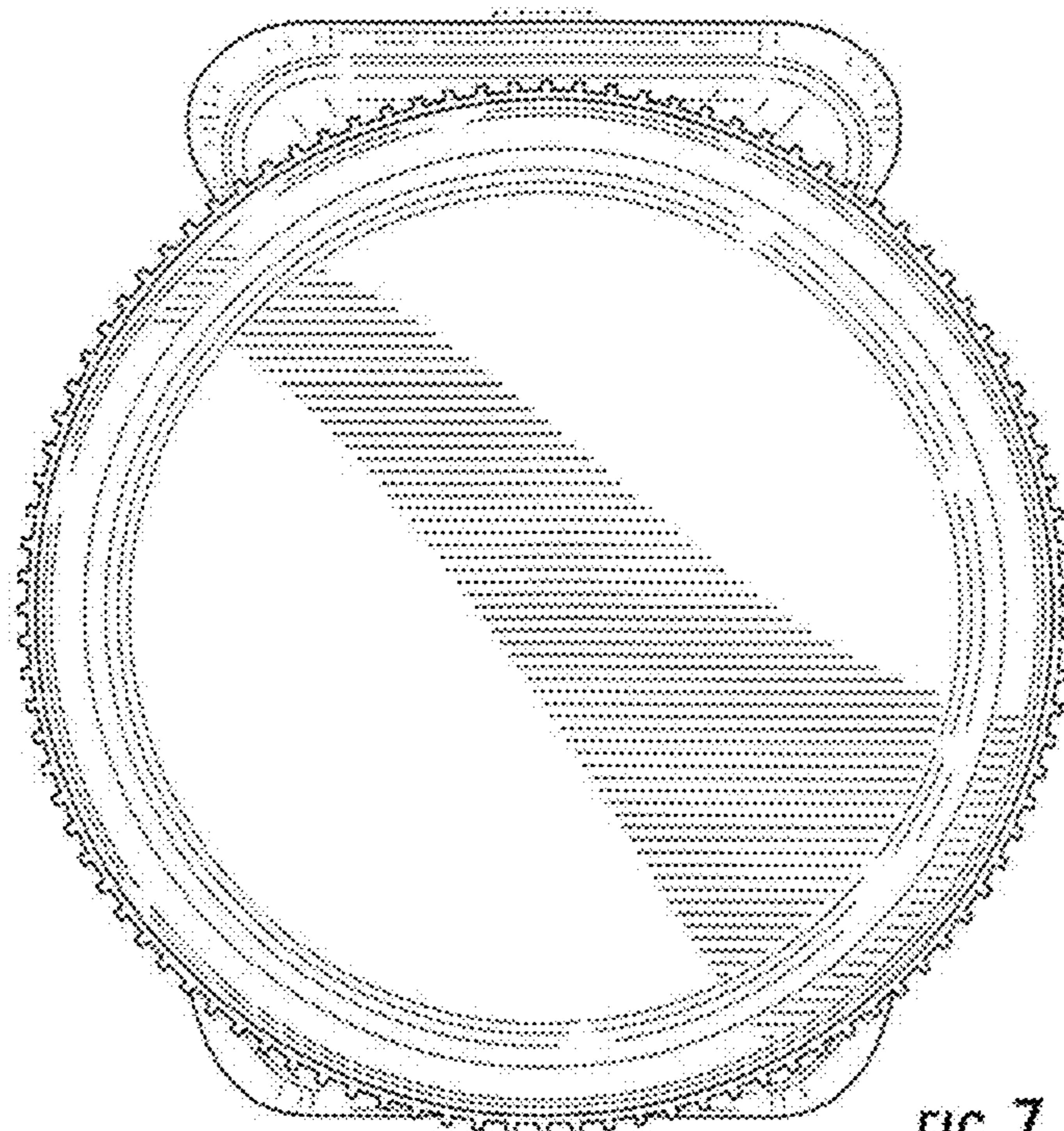


FIG. 7