



US00D844131S

(12) **United States Design Patent**
Inoue

(10) **Patent No.:** **US D844,131 S**
(45) **Date of Patent:** **** Mar. 26, 2019**

- (54) **MEDICAL TUBE HUB**
- (71) Applicant: **Kitazato Medical Co., Ltd.**, Tokyo (JP)
- (72) Inventor: **Futoshi Inoue**, Fujinomiya (JP)
- (73) Assignee: **KITAZATO CORPORATION**, Fuji-shi (JP)
- (**) Term: **15 Years**
- (21) Appl. No.: **29/589,907**
- (22) Filed: **Jan. 5, 2017**
- (30) **Foreign Application Priority Data**
Jul. 8, 2016 (JP) 2016-014612
- (51) **LOC (11) Cl.** **24-01**
- (52) **U.S. Cl.**
USPC **D24/129**
- (58) **Field of Classification Search**
USPC D24/130, 129, 112-114, 127, 104, 133, D24/186, 108; 606/181, 185; 604/264, 604/272, 115, 164.01-164.09, 533, 232, 604/187, 168.01, 192, 19, 48, 93.01, 523, 604/524, 526; 600/101, 139, 143; 128/200.24, 207.14, 207.15; 601/67
CPC A61M 25/0097; A61M 25/0631; A61M 25/0662; A61M 25/0014; A61B 17/32053
See application file for complete search history.

- 5,868,714 A * 2/1999 Danks A61B 17/3462 215/296
- D432,230 S * 10/2000 Utas D24/112
- D445,895 S * 7/2001 Svendsen D24/112
- D585,987 S * 2/2009 Aparici D24/133
- D591,438 S * 4/2009 Hama D24/133
- D612,044 S * 3/2010 Scheibe D24/130
- D638,933 S * 5/2011 Hill D24/129
- D644,731 S * 9/2011 Fangrow, Jr. D24/129
- D644,741 S * 9/2011 Sattler D24/224
- D652,917 S * 1/2012 Hill D24/129
- D655,815 S * 3/2012 Miller D24/133
- D657,046 S * 4/2012 Terry D24/110
- D660,417 S * 5/2012 Eury D24/129

(Continued)

Primary Examiner — David G Muller
Assistant Examiner — Nathan M Johnston
(74) *Attorney, Agent, or Firm* — Locke Lord LLP

(57) **CLAIM**

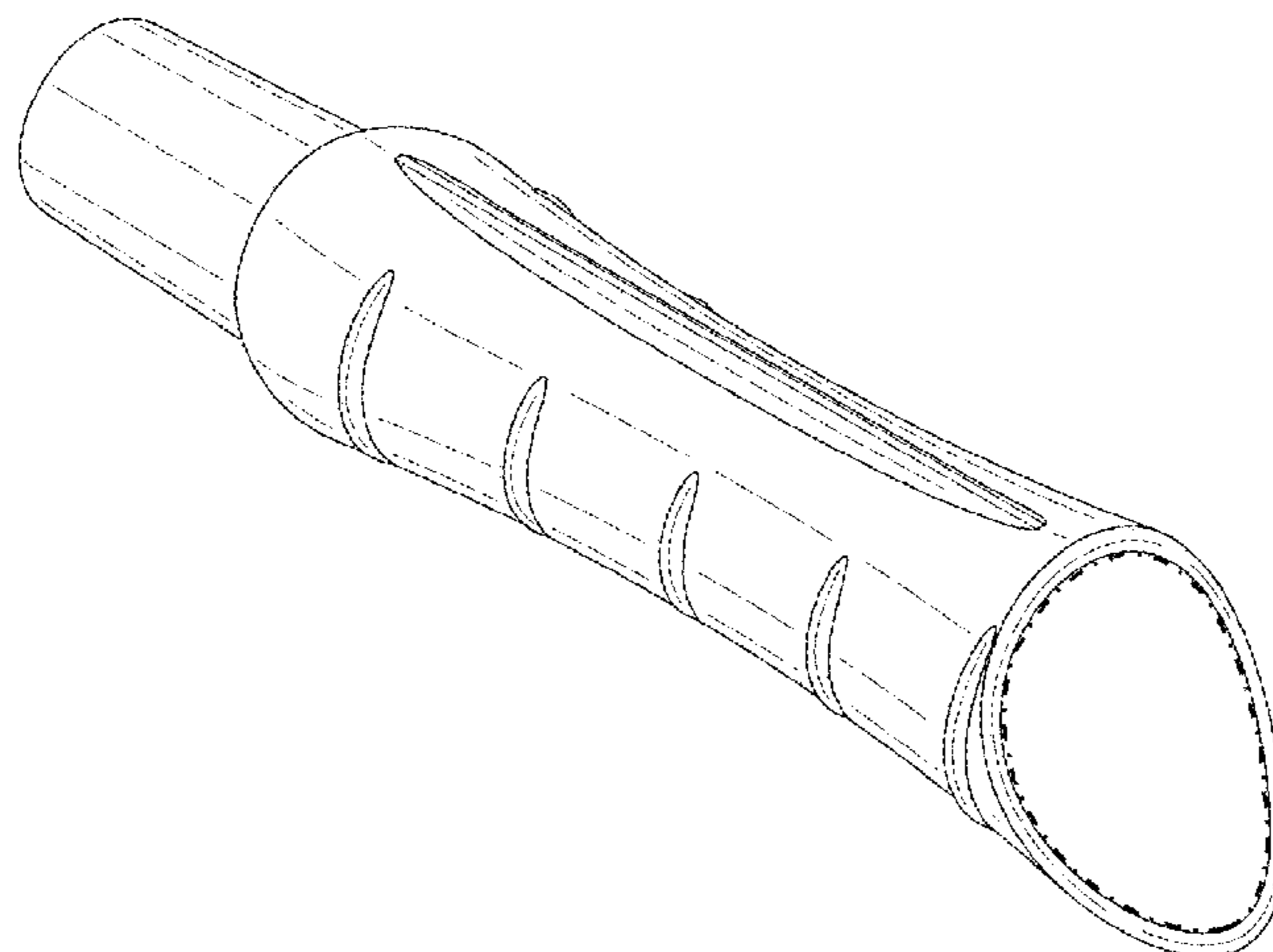
The ornamental design for a medical tube hub, as shown and described.

DESCRIPTION

FIG. 1 is a front view of the medical tube hub showing my new design;
FIG. 2 is a rear elevation view thereof;
FIG. 3 is a right side elevation view thereof;
FIG. 4 is a left side elevation view thereof;
FIG. 5 is a top plan view thereof;
FIG. 6 is a bottom plan view thereof;
FIG. 7 is a perspective view of the top plan side thereof; and,
FIG. 8 is another perspective view of the plan side thereof.
The dashed dot lines immediately adjacent to the shaded areas in the figures represent the boundaries of the claimed design. The dashed dot lines in the figures illustrate the portions of the design that form no part of the claimed design. None of the broken lines form any part of the claimed design.

1 Claim, 5 Drawing Sheets

- (56) **References Cited**
U.S. PATENT DOCUMENTS
D336,957 S * 6/1993 Koros D24/133
D342,993 S * 1/1994 Fathi D24/110
D348,928 S * 7/1994 Ashley D24/110
5,489,275 A * 2/1996 Thompson A61M 25/00 604/111



(56)

References Cited

U.S. PATENT DOCUMENTS

D660,421	S *	5/2012	Miller	D24/133
D671,209	S *	11/2012	Row	D24/129
D678,522	S *	3/2013	Gustavsson	D24/130
D681,828	S *	5/2013	Shinohara	D24/186
8,512,313	B2 *	8/2013	Atkinson	A61M 25/0017 604/264
8,777,931	B2 *	7/2014	Davis	A61M 39/10 285/332
D711,530	S *	8/2014	Gleason, Jr.	D24/112
D716,965	S *	11/2014	Fruscella	D24/224
D723,180	S *	2/2015	Klein	D24/216
D739,006	S *	9/2015	Tominaga	D24/108
D741,477	S *	10/2015	Rogers	D24/129
D742,508	S *	11/2015	Row	D24/129
D746,447	S *	12/2015	Wheeler	D24/129
D750,223	S *	2/2016	Andino	D24/112
D751,699	S *	3/2016	Mills	D24/127
D757,259	S *	5/2016	Duck	D24/129
D760,893	S *	7/2016	Honda	D24/130
D782,665	S *	3/2017	Mintz	D24/129
D796,669	S *	9/2017	Palmer	D24/130
D797,923	S *	9/2017	Pereira	D24/112
2005/0209581	A1 *	9/2005	Butts	A61M 25/0097 604/523
2015/0064080	A1 *	3/2015	Skakoon	A61B 10/0051 422/419

* cited by examiner

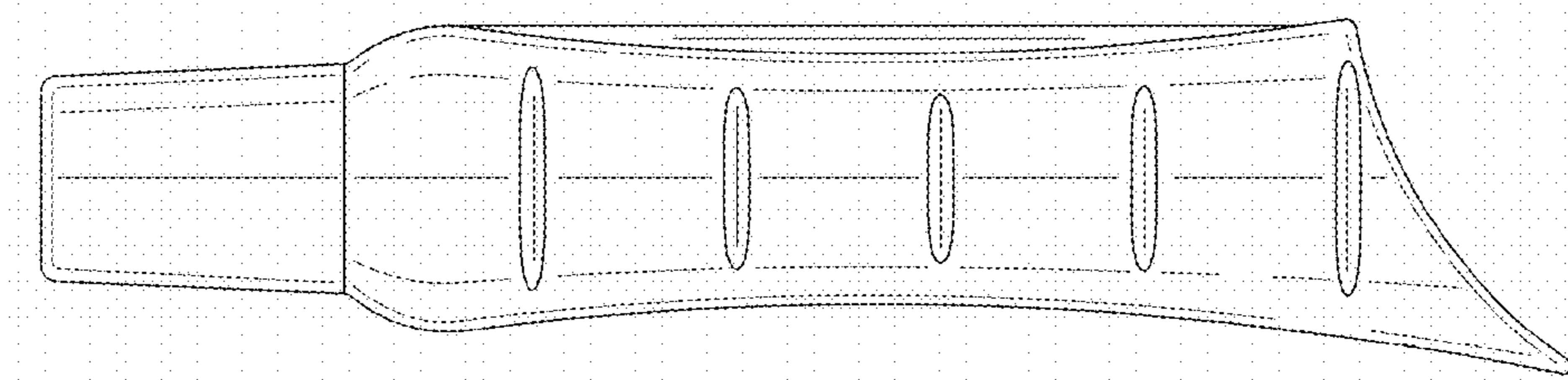


FIG. 1

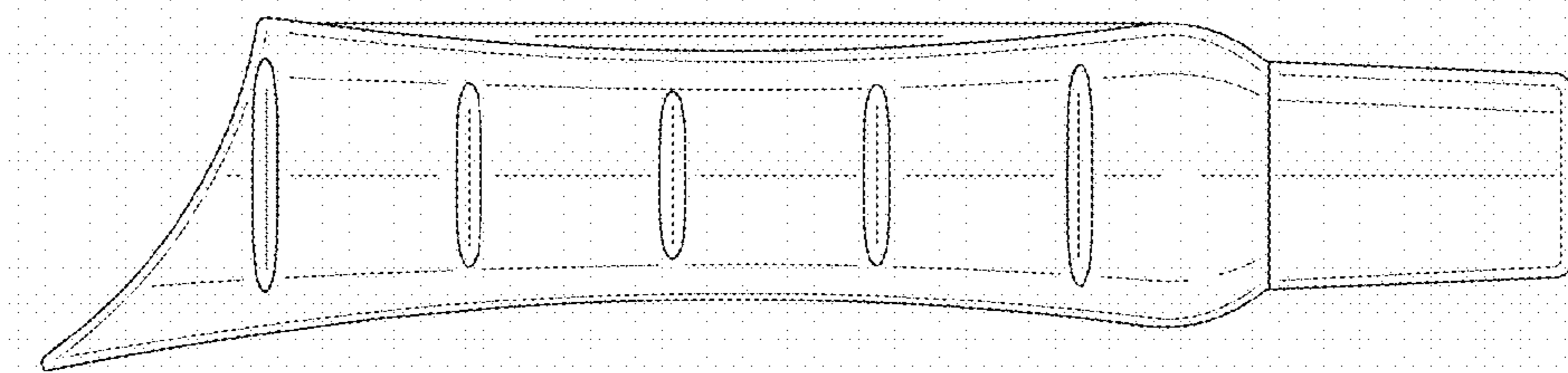


FIG. 2

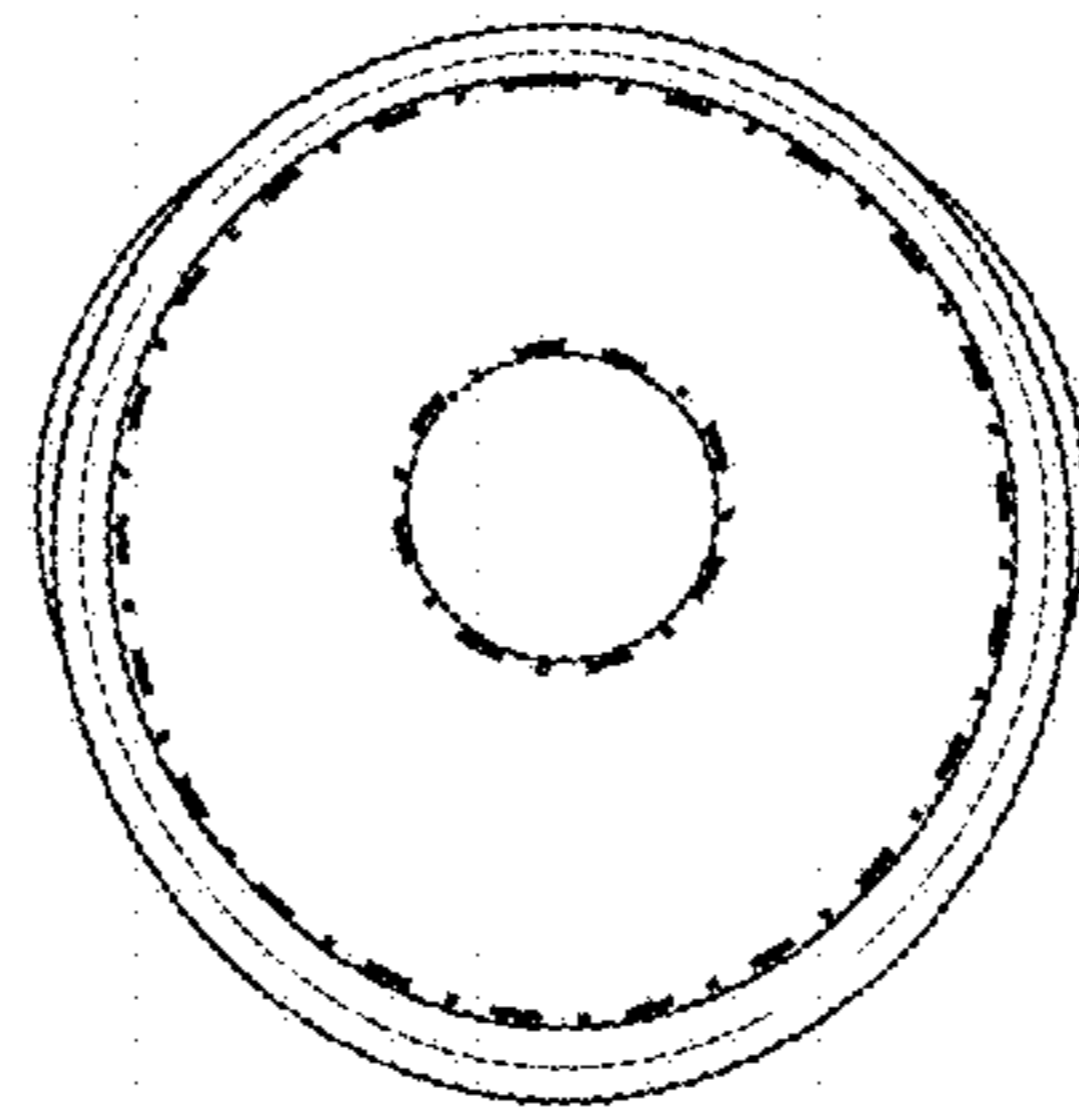


FIG. 3

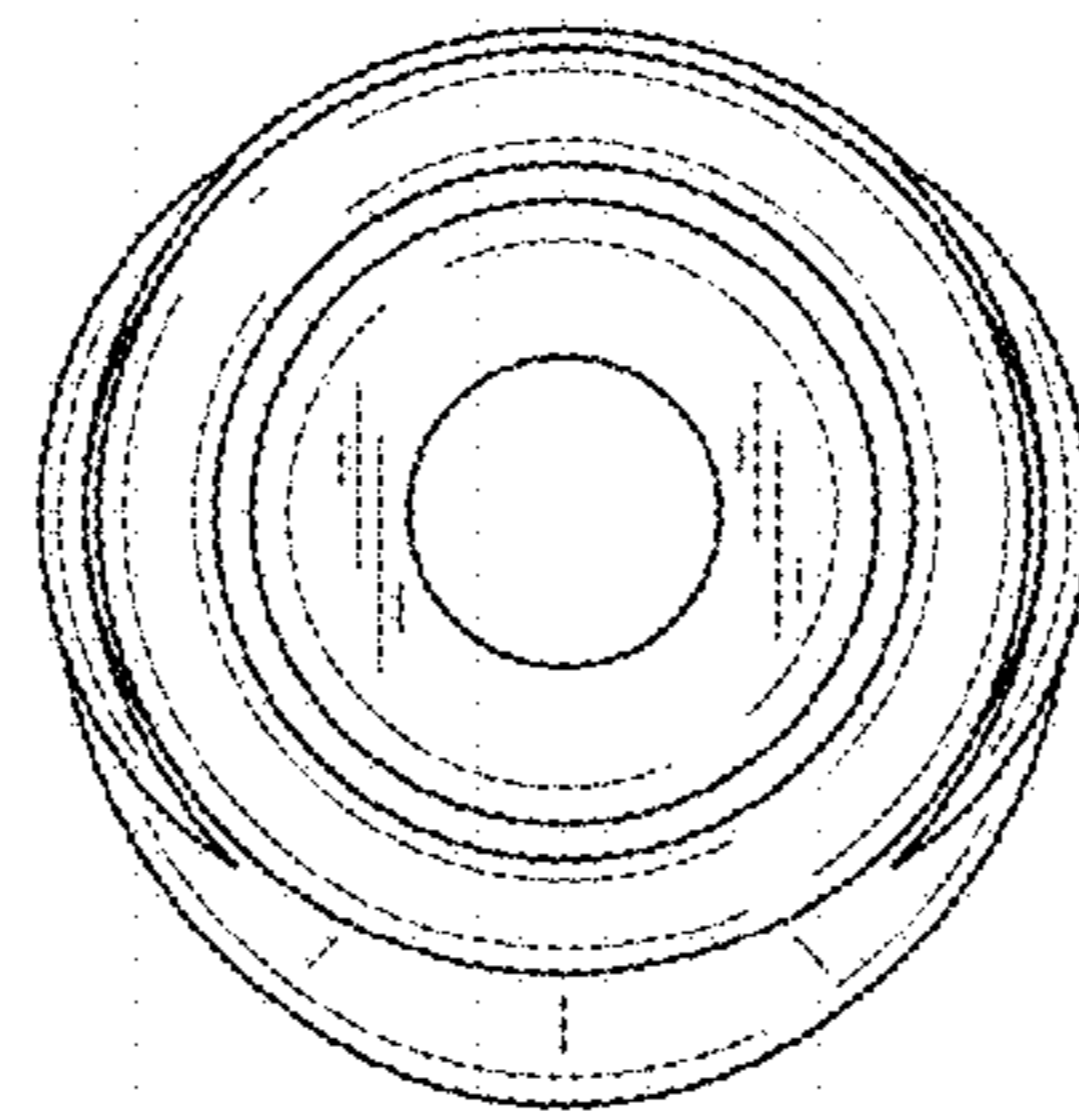


FIG. 4

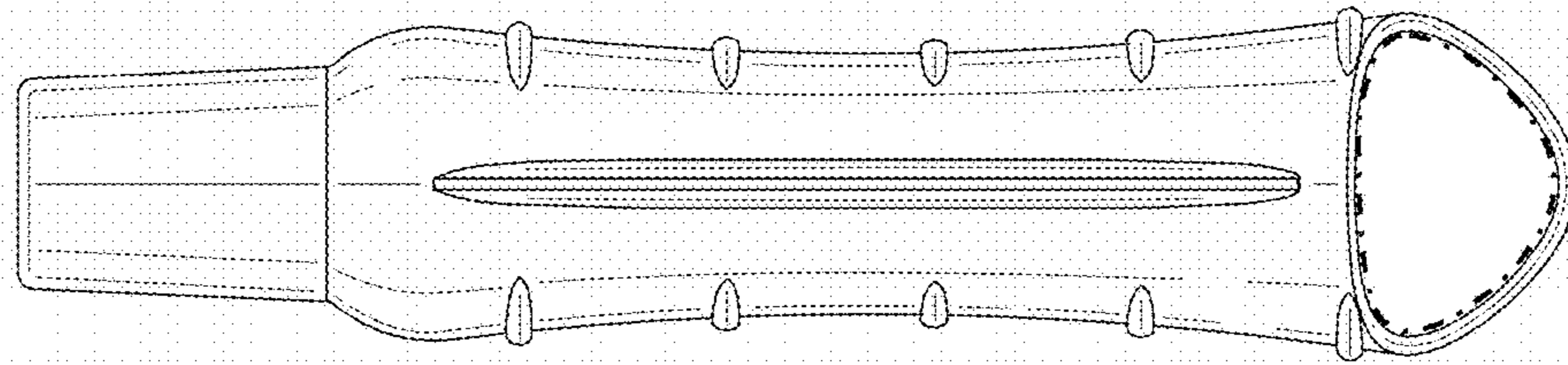


FIG. 5

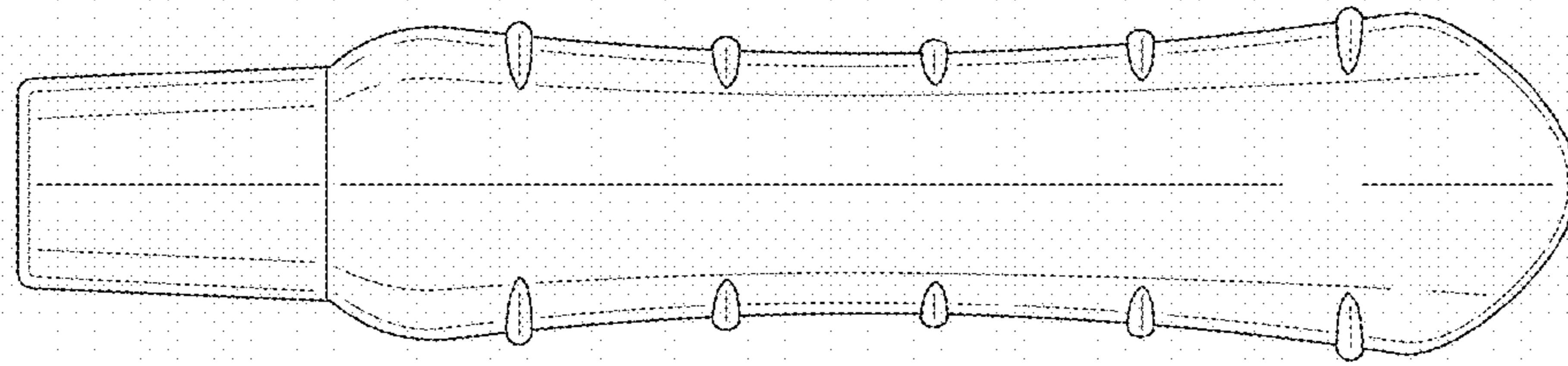


FIG. 6

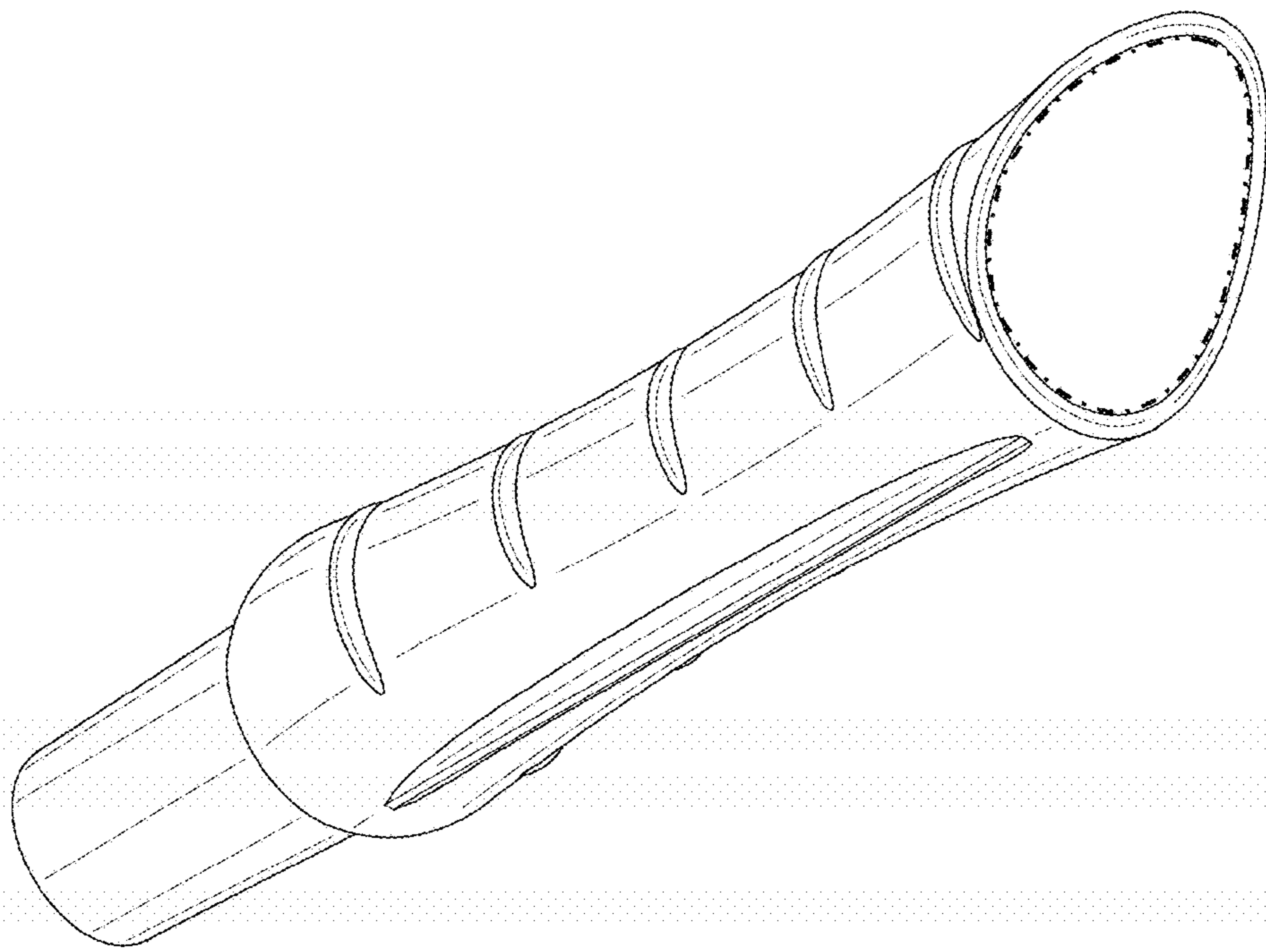


FIG. 7

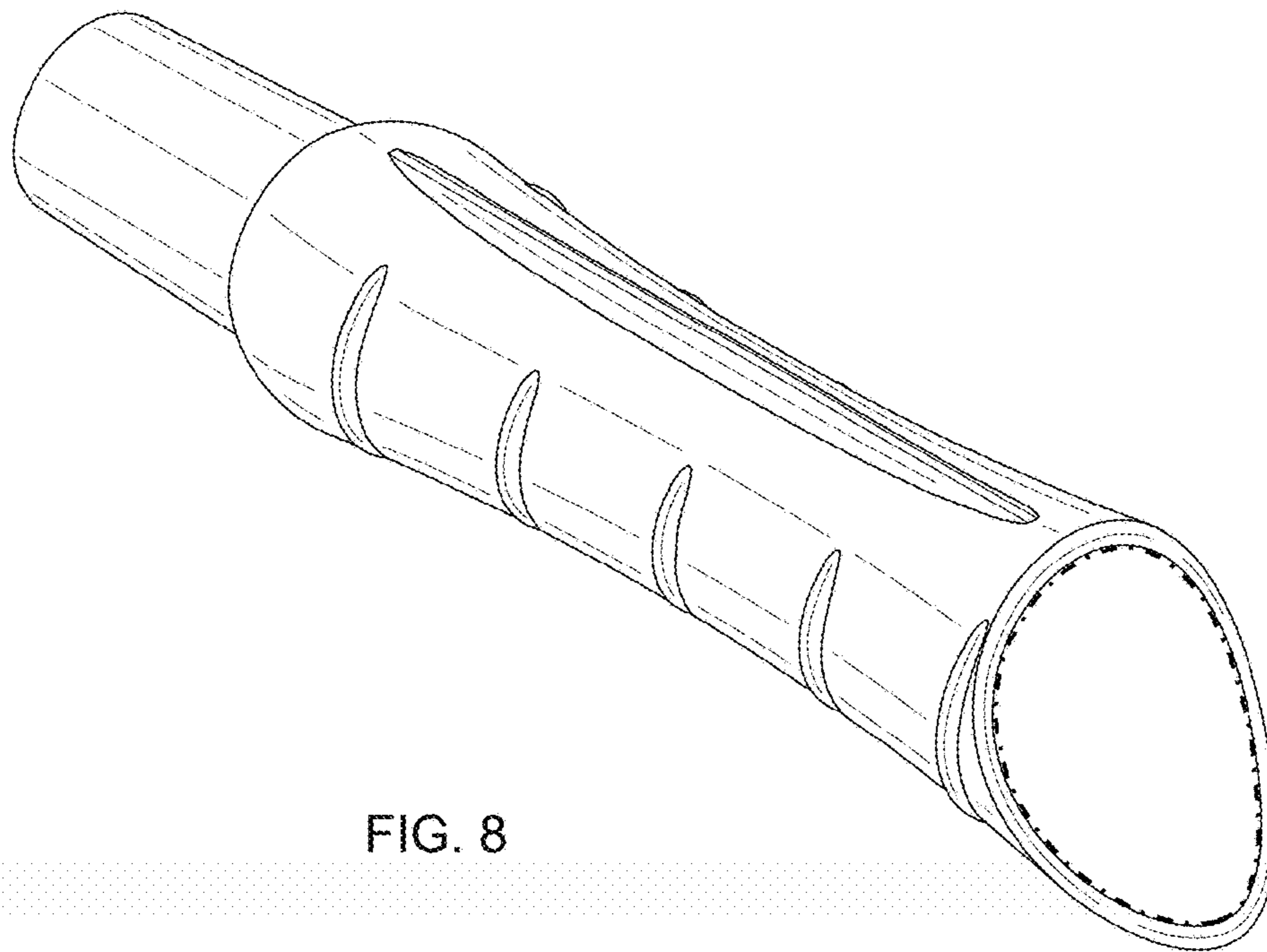


FIG. 8