

US00D844129S

(12) **United States Design Patent** (10) **Patent No.:** **US D844,129 S**
Lingenfelter et al. (45) **Date of Patent:** **** Mar. 26, 2019**

(54) **AXIAL AIR BLOWER WITH DUCTING CANISTER**

(71) Applicants: **Thomas Lingenfelter**, Piedmont, SC (US); **Brandon Litzenberger**, Piedmont, SC (US)

(72) Inventors: **Thomas Lingenfelter**, Piedmont, SC (US); **Brandon Litzenberger**, Piedmont, SC (US)

(73) Assignee: **NO-FADE COATINGS, INC.**, Piedmont, SC (US)

(**) Term: **15 Years**

(21) Appl. No.: **29/588,683**

(22) Filed: **Dec. 22, 2016**

(51) **LOC (11) Cl.** **23-04**

(52) **U.S. Cl.**
USPC **D23/383**; D23/370

(58) **Field of Classification Search**
USPC D23/317, 332, 335-337, 370-376, D23/378-397, 411-414, 499
CPC F24F 7/06
See application file for complete search history.

(56) **References Cited**

U.S. PATENT DOCUMENTS

D152,841 S *	2/1949	Thompson et al.	D23/336
D164,613 S *	9/1951	Wahlberg	D23/336
D165,854 S *	2/1952	McCarron	D23/377
3,096,933 A *	7/1963	Bora	B08B 15/04 248/186.1
D217,460 S *	5/1970	Greubel	D23/370
D256,273 S *	8/1980	Townsend	D23/336
D291,243 S	8/1987	Beavers		
D314,619 S	2/1991	Beavers et al.		
D319,694 S *	9/1991	Wortham	D23/336
D328,640 S *	8/1992	Conger, IV	D23/383
D329,895 S	9/1992	Chumsae		
D340,765 S *	10/1993	Joss	D23/332

D341,417 S *	11/1993	Wortham	D23/332
D347,683 S *	6/1994	Chiu	D23/332
6,210,270 B1 *	4/2001	Niksic	F04D 29/646 454/338
D503,788 S *	4/2005	Wang	D23/383
D538,922 S *	3/2007	Graham	D23/386
D545,421 S *	6/2007	Pitchford	D23/332
D566,252 S *	4/2008	Blateri	D23/336

(Continued)

FOREIGN PATENT DOCUMENTS

JP 63297799 A 12/1988

OTHER PUBLICATIONS

Allegro Industries 9553 Plastic Axial Blower, posted date unknown, amazon.com, site visited Jan. 29, 2018, Copyright @ 1996-2018, <https://www.amazon.com/Allegro-Industries-9553-Plastic-Blower/dp/B00SOX1OW8/ref=sr_1_1?ie=UTF8&qid=1517260496&sr=8-1&keywords=allegro+axial+9553>.*

Primary Examiner — Cathron C Brooks

Assistant Examiner — Sharon S Oum

(74) Attorney, Agent, or Firm — Cislo & Thomas, LLP

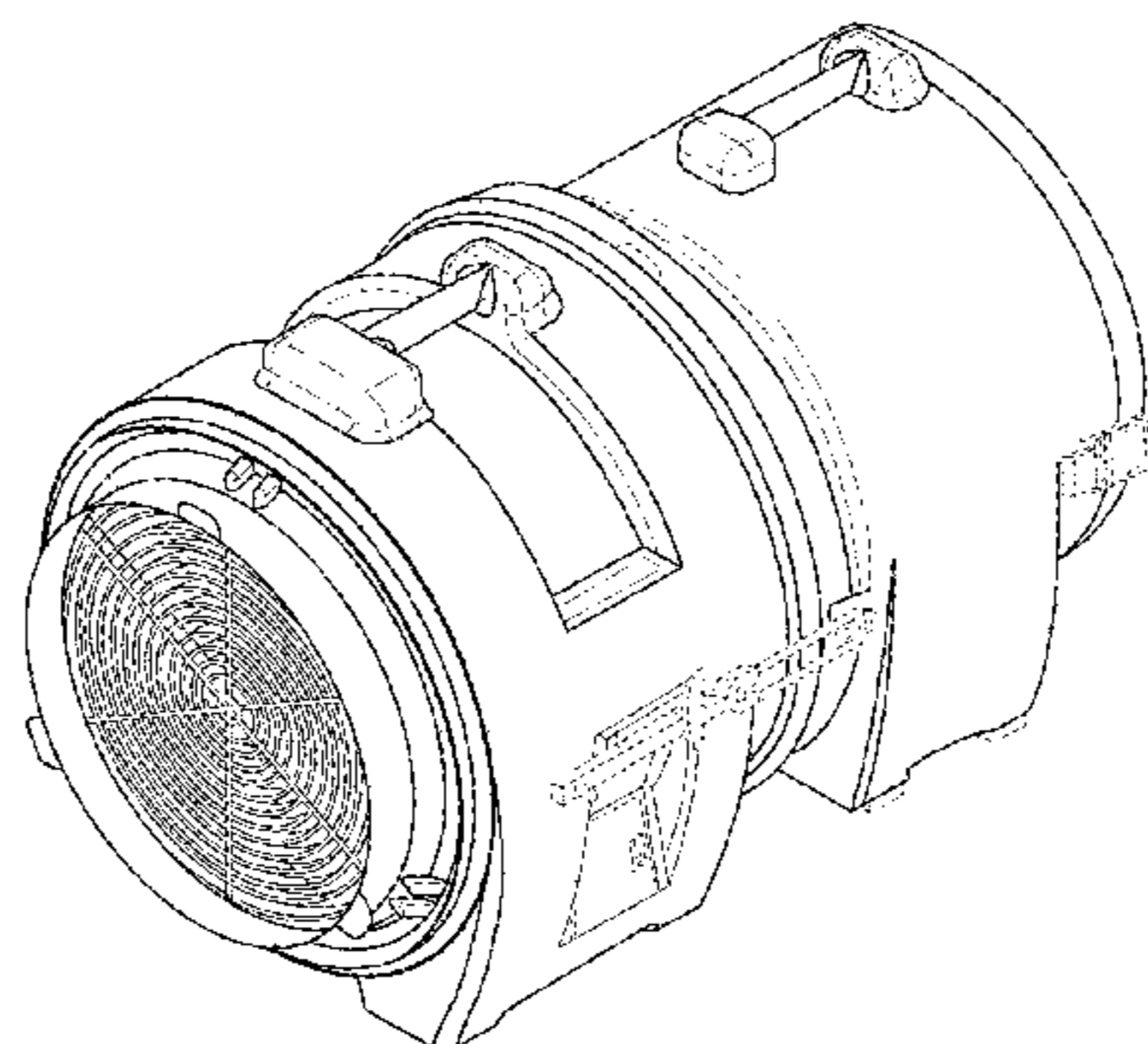
(57) **CLAIM**

The ornamental design for an axial air blower with ducting canister, as shown and described.

DESCRIPTION

FIG. 1 is a front perspective view of the axial air blower with ducting canister showing our new design; FIG. 2 is a right side elevation view thereof; FIG. 3 is a left side elevation view thereof; FIG. 4 is a top plan view thereof; FIG. 5 is a bottom plan view thereof; FIG. 6 is a front elevation view thereof; and, FIG. 7 is a rear elevation view thereof. The broken lines illustrate portions of the axial air blower with ducting canister and form no part of the claimed design.

1 Claim, 7 Drawing Sheets



(56)

References Cited

U.S. PATENT DOCUMENTS

D585,972 S	2/2009	Allen	
D597,193 S *	7/2009	Reuter	D23/382
D597,639 S *	8/2009	Chen Lee	D23/328
D645,550 S	9/2011	Ferroni	
D672,863 S *	12/2012	Romero Carreras	D23/370
D681,184 S *	4/2013	Romero Carreras	D23/370
8,523,970 B2	9/2013	Lakdawala et al.	
D693,068 S *	11/2013	Tan	D30/158
D703,301 S *	4/2014	Peia	D23/370
D703,302 S *	4/2014	Ruck	D23/370
D790,009 S *	6/2017	Lo	D21/401
D827,119 S *	8/2018	Intravatola	D23/370

* cited by examiner

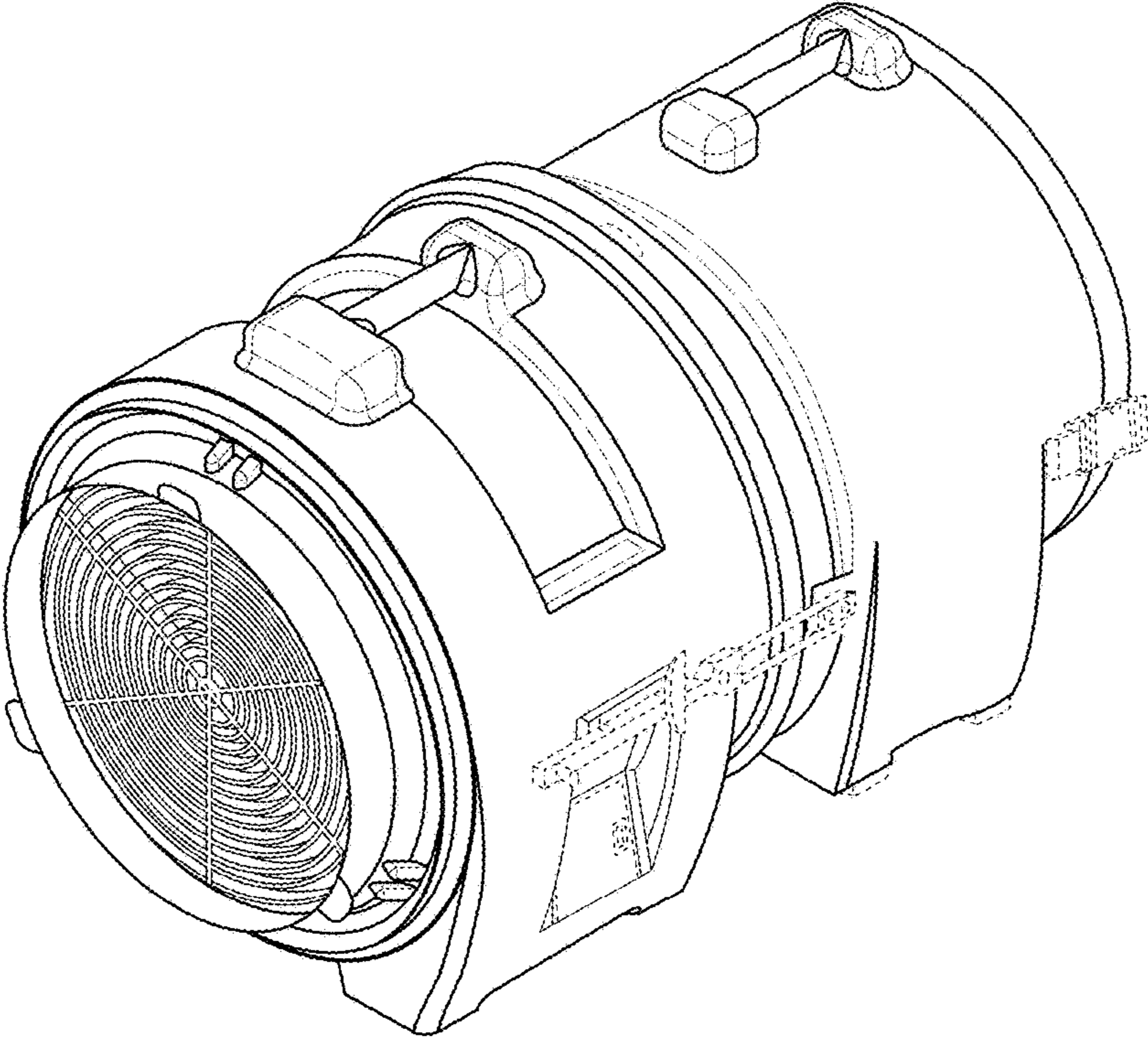


Fig. 1

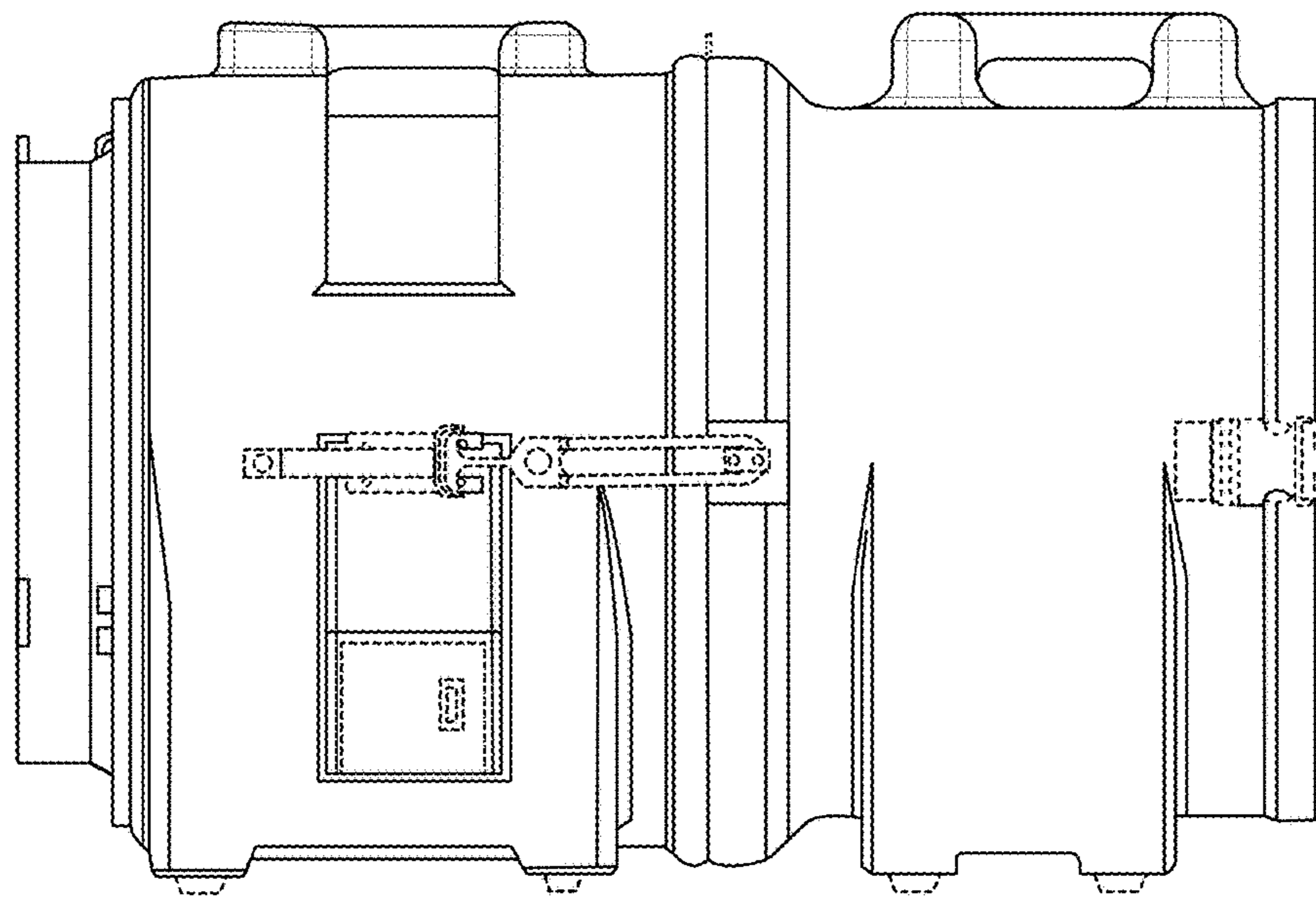


Fig. 2

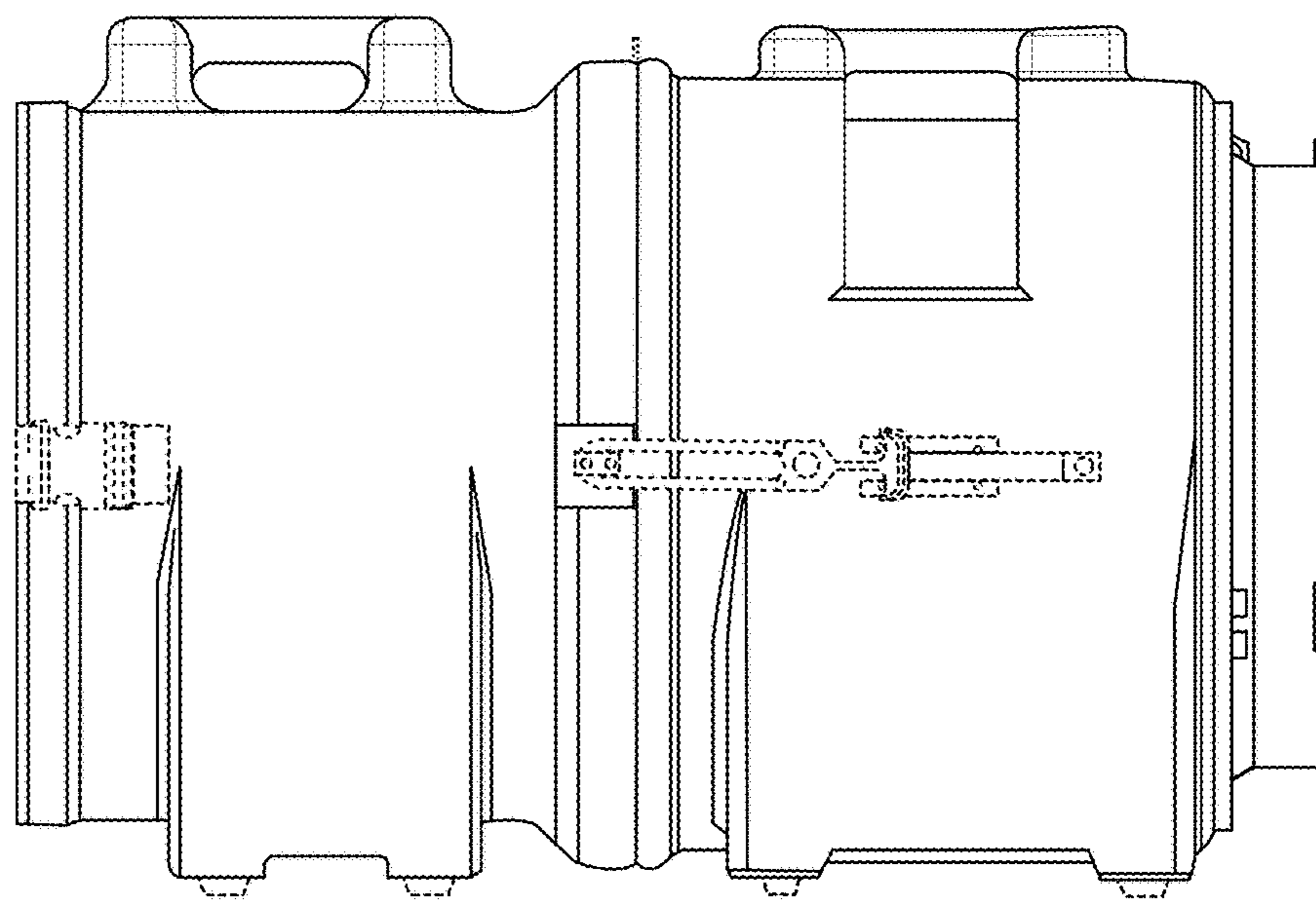


Fig. 3

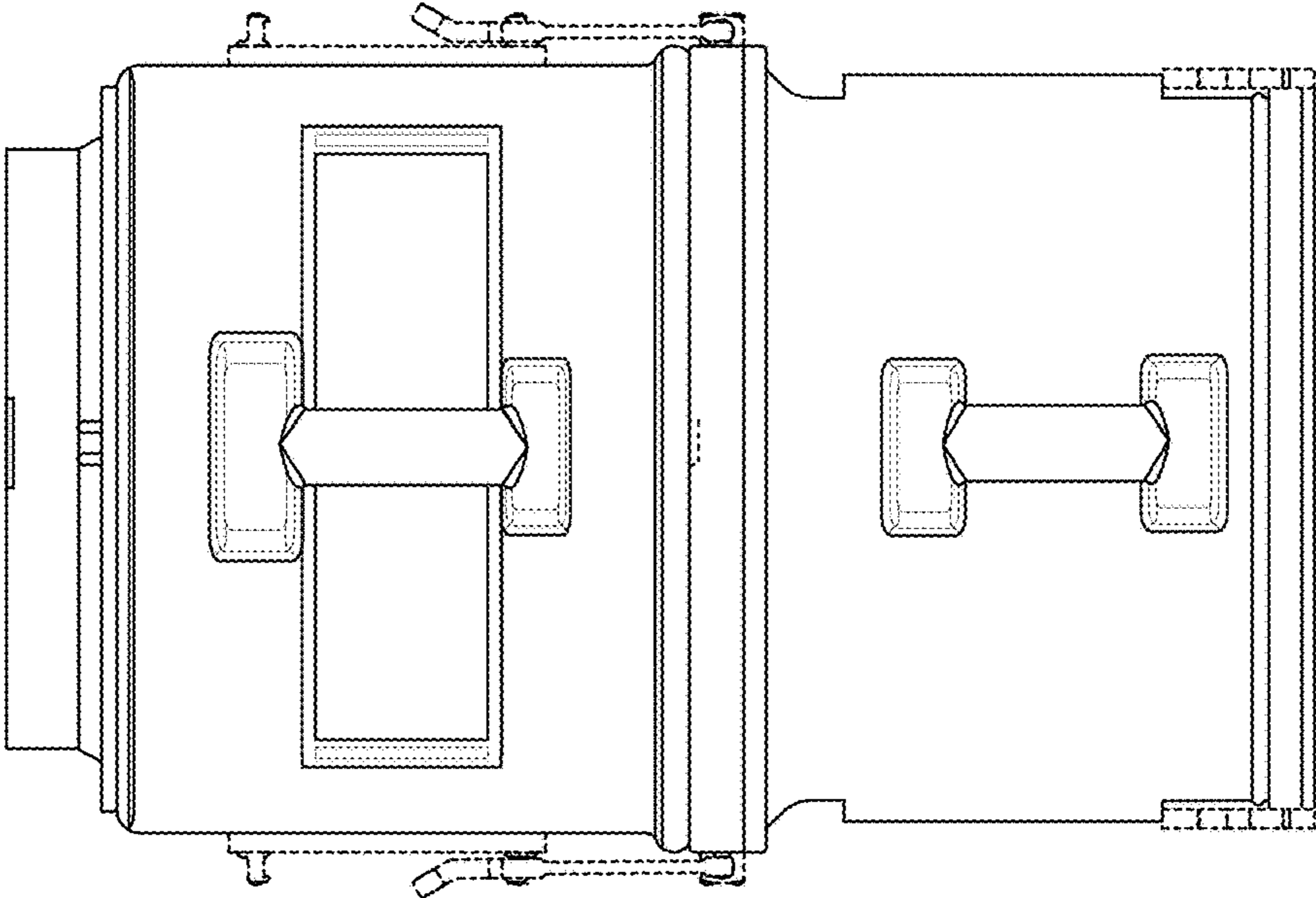


Fig. 4

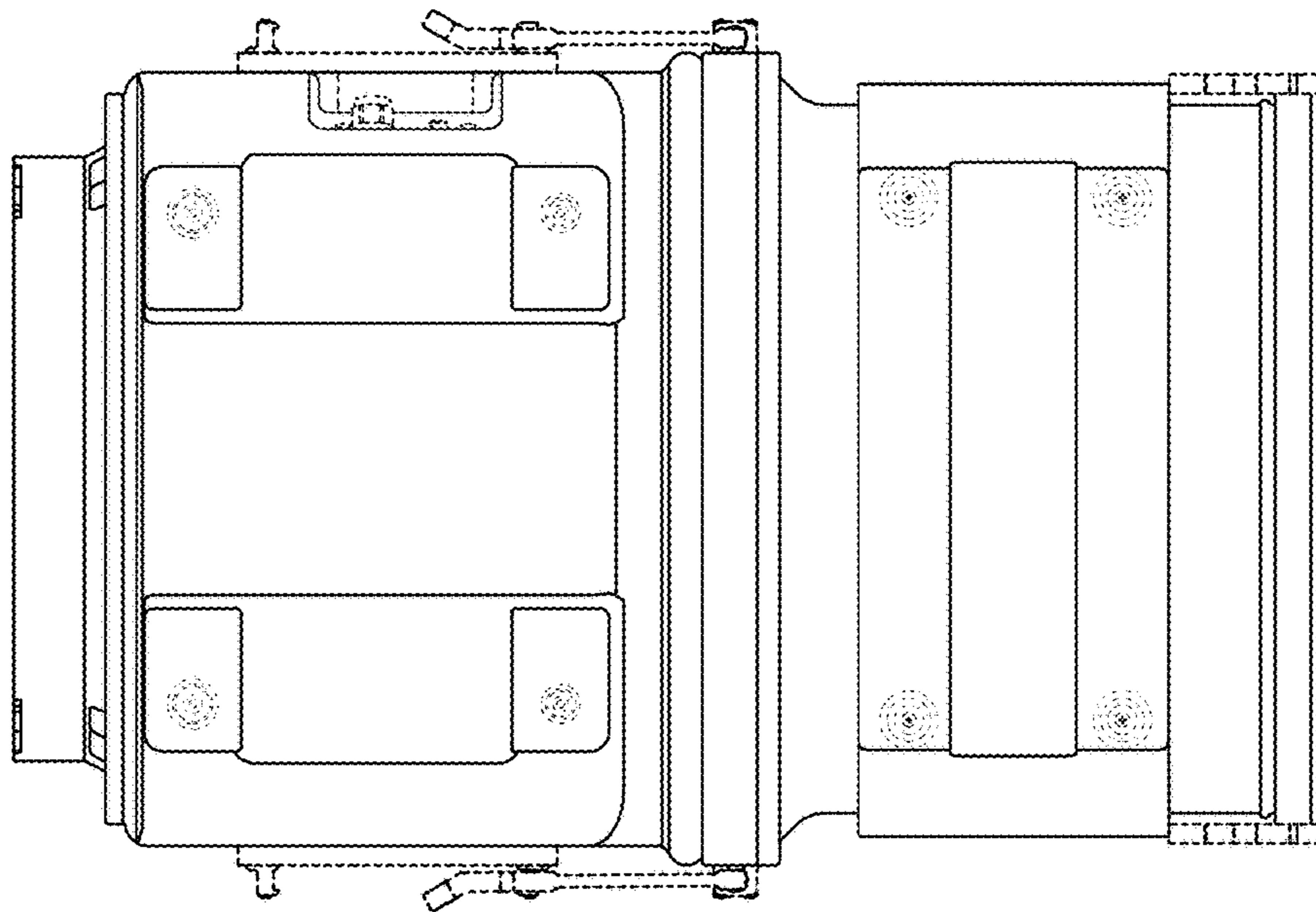


Fig. 5

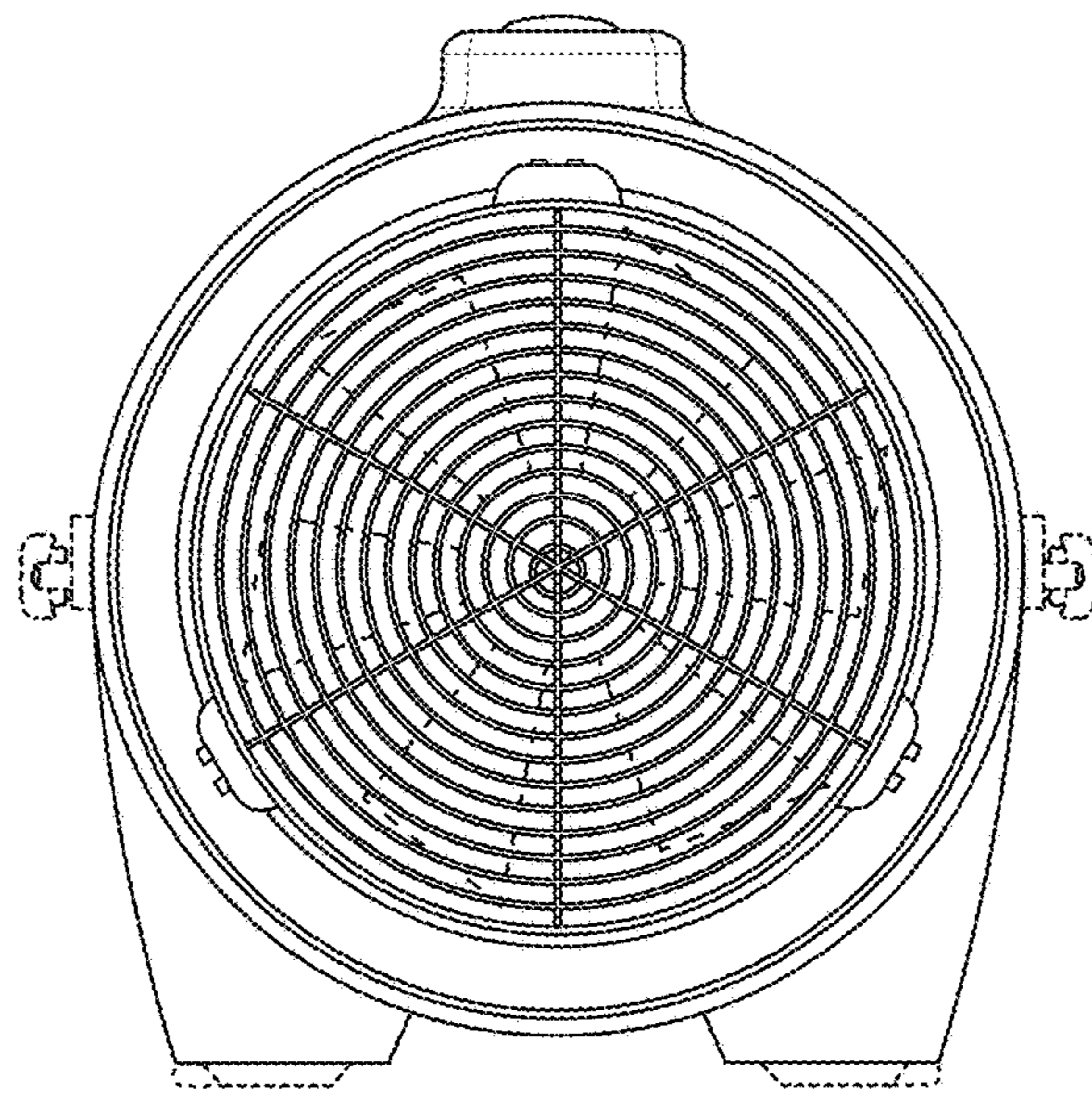


Fig. 6

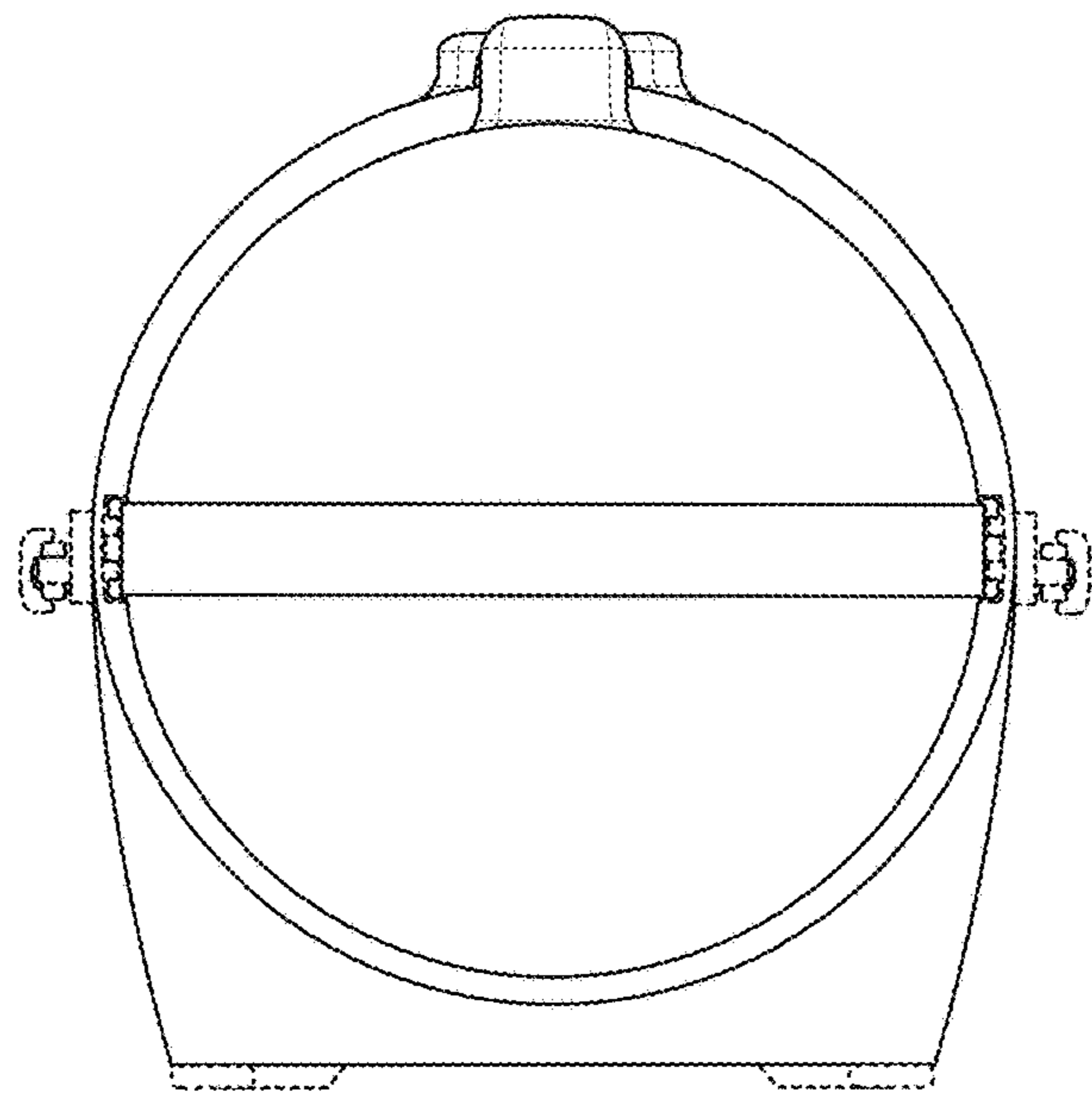


Fig. 7