



US00D844128S

(12) **United States Design Patent**  
**Li**

(10) **Patent No.:** **US D844,128 S**  
(45) **Date of Patent:** **\*\* Mar. 26, 2019**

(54) **FAN**  
(71) Applicant: **Dezheng Li**, Guangdong (CN)  
(72) Inventor: **Dezheng Li**, Guangdong (CN)  
(\*\*) Term: **15 Years**  
(21) Appl. No.: **29/615,213**  
(22) Filed: **Aug. 28, 2017**

(30) **Foreign Application Priority Data**

Mar. 7, 2017 (CN) ..... 2017 3 0062538

(51) **LOC (11) Cl.** ..... **23-04**

(52) **U.S. Cl.**  
USPC ..... **D23/378**

(58) **Field of Classification Search**  
USPC ..... D23/332, 334, 335, 336, 337, 352, 370,  
D23/378, 381, 382, 383, 411, 412, 413,  
D23/414  
CPC ..... F04D 25/06; F04D 25/08; F04D 25/0673;  
F04D 27/004; F04D 19/002  
See application file for complete search history.

(56) **References Cited**

**U.S. PATENT DOCUMENTS**

1,233,696 A \* 7/1917 Pakeman ..... 43/139  
D164,613 S \* 9/1951 Wahlberg et al. .... D23/336

3,403,252 A \* 9/1968 Nagy ..... A61L 9/22  
250/432 R  
D255,488 S \* 6/1980 Kanarek ..... D23/370  
D463,855 S \* 10/2002 Sherman ..... D23/378  
D698,916 S \* 2/2014 Avedon ..... D23/379

\* cited by examiner

*Primary Examiner* — Cathron C Brooks  
*Assistant Examiner* — Sharon S Oum

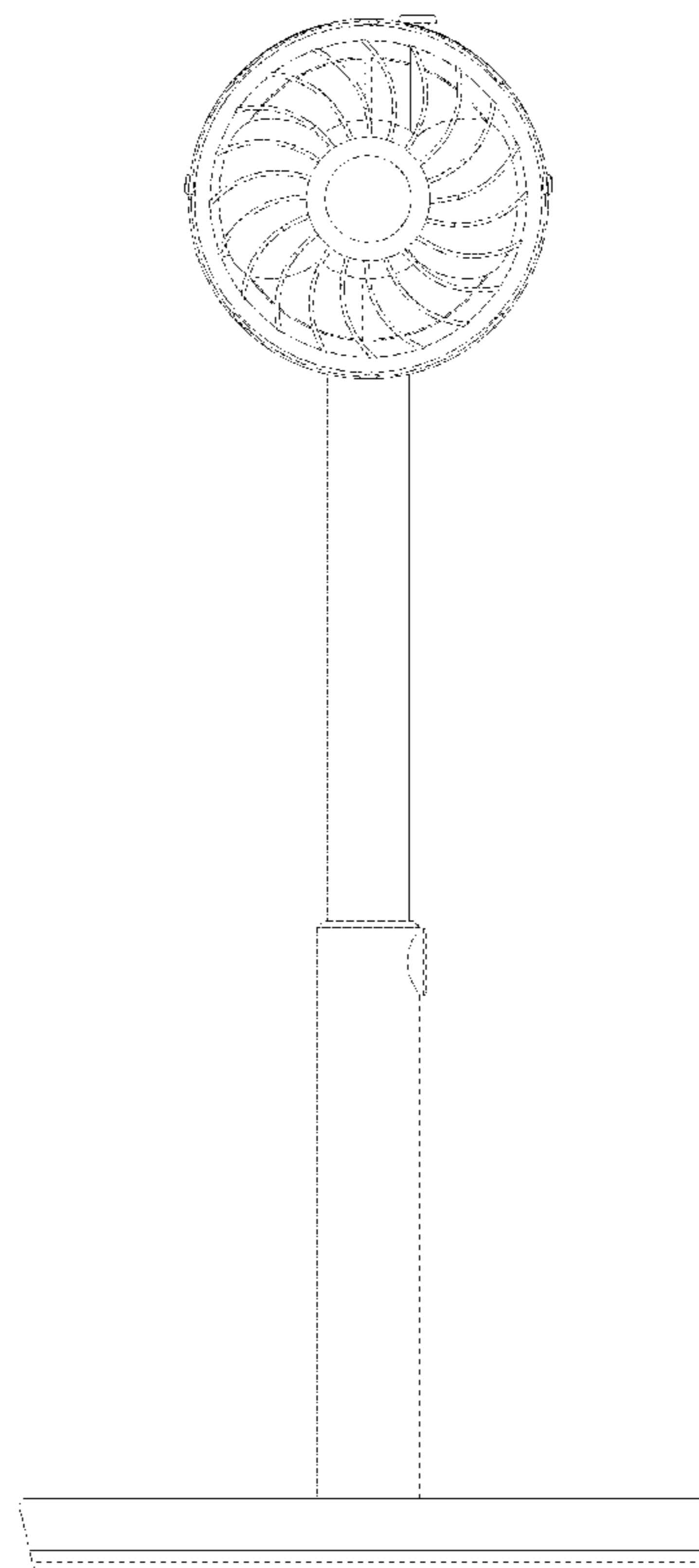
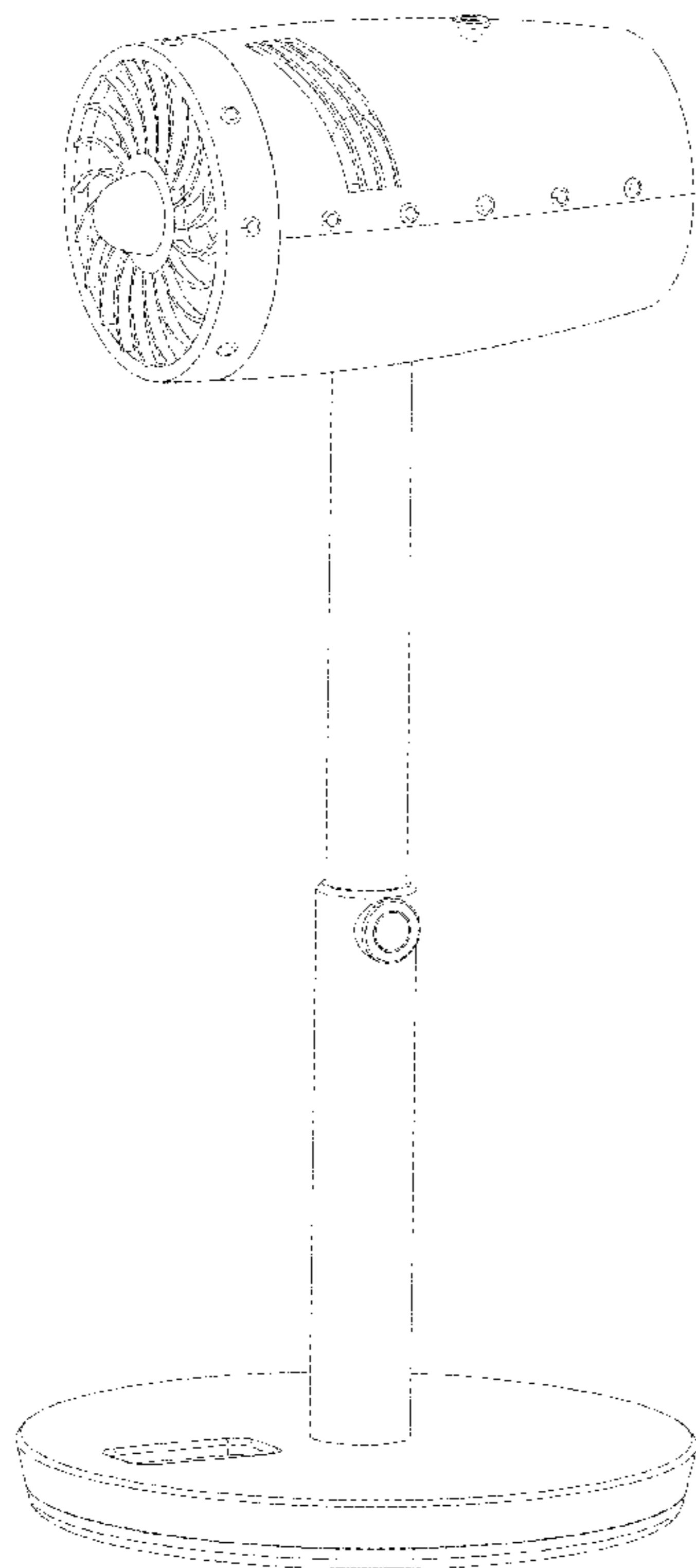
(57) **CLAIM**

The ornamental design for a fan, as shown and described.

**DESCRIPTION**

FIG. 1 is a perspective view of a fan showing my new design;  
FIG. 2 is a front elevational view thereof;  
FIG. 3 is a rear elevational view thereof;  
FIG. 4 is a left side view thereof;  
FIG. 5 is a right side view thereof;  
FIG. 6 is a top plan view thereof; and,  
FIG. 7 is a bottom plan view thereof.

**1 Claim, 7 Drawing Sheets**



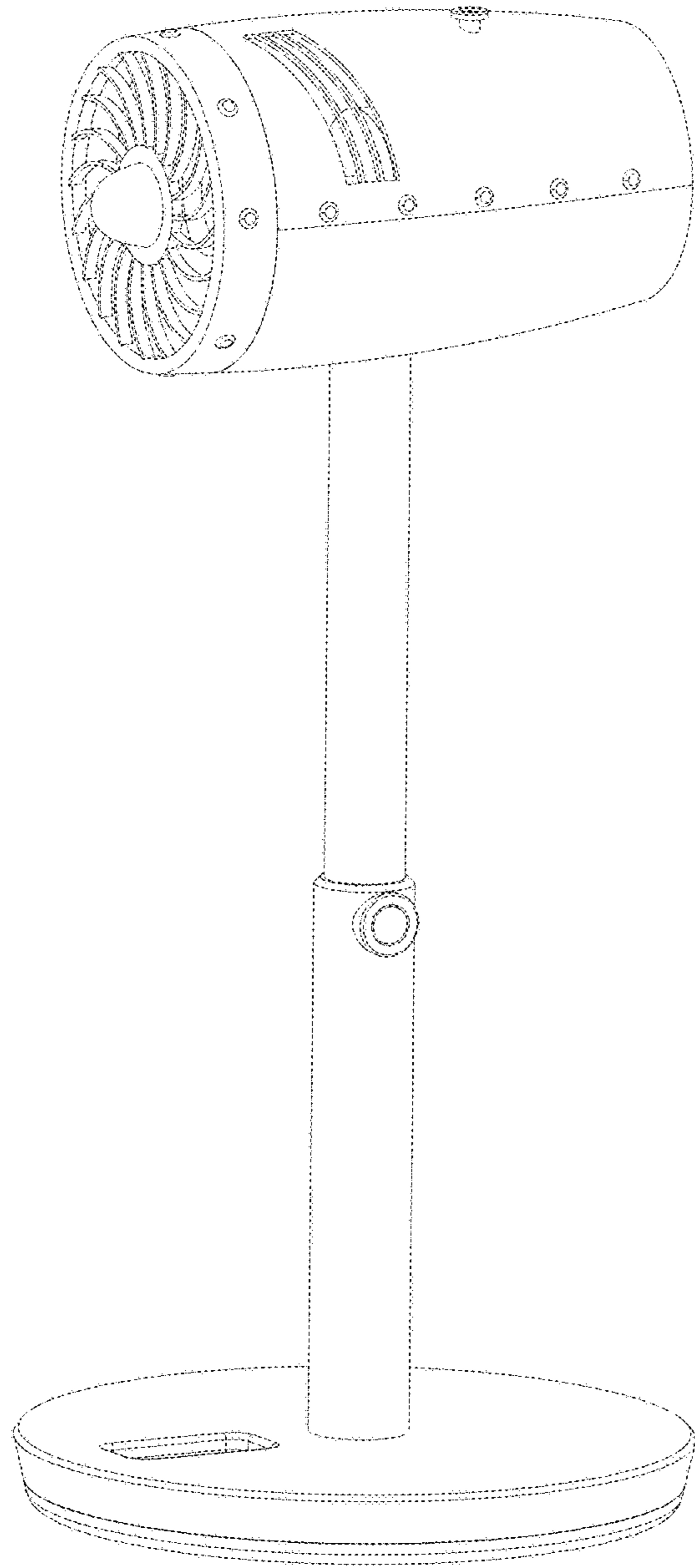


FIG. 1

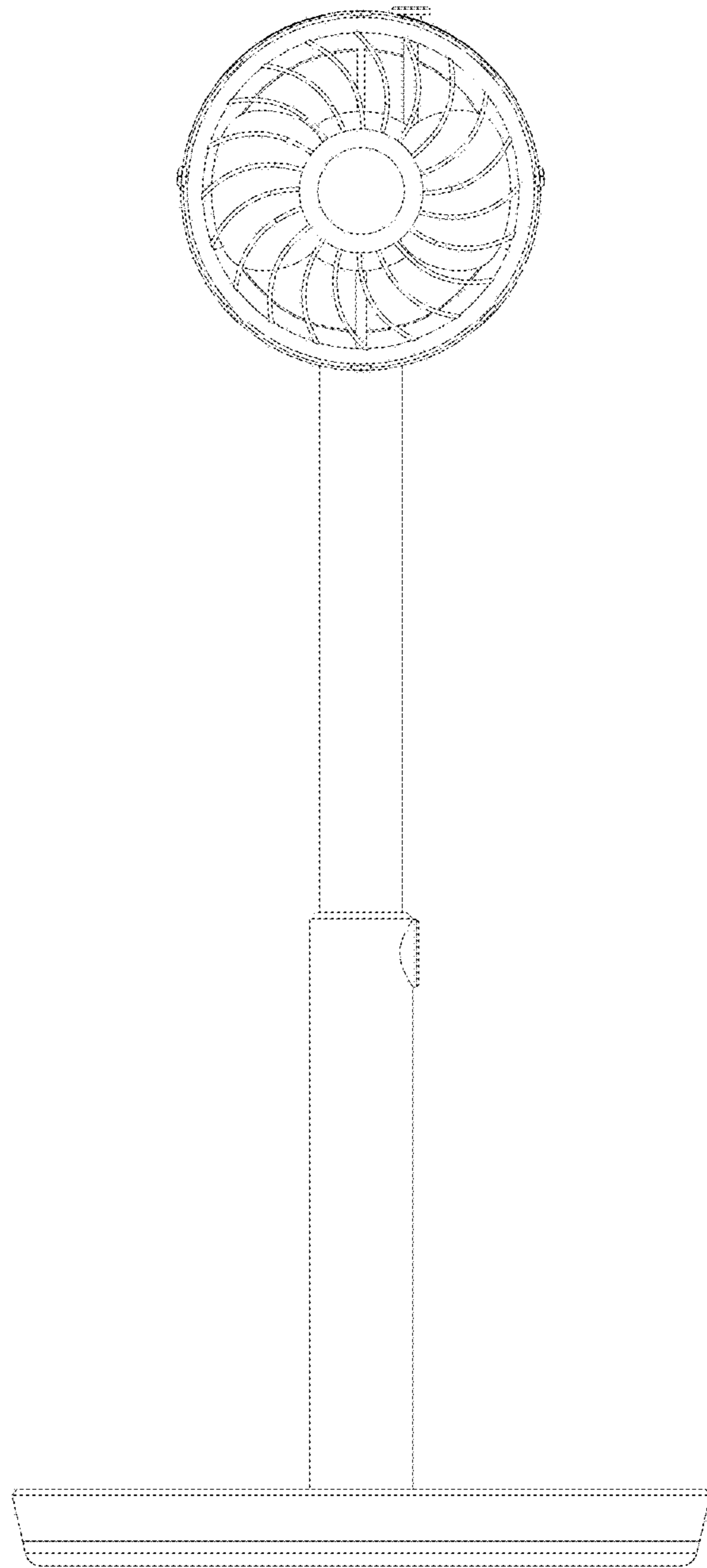


FIG. 2

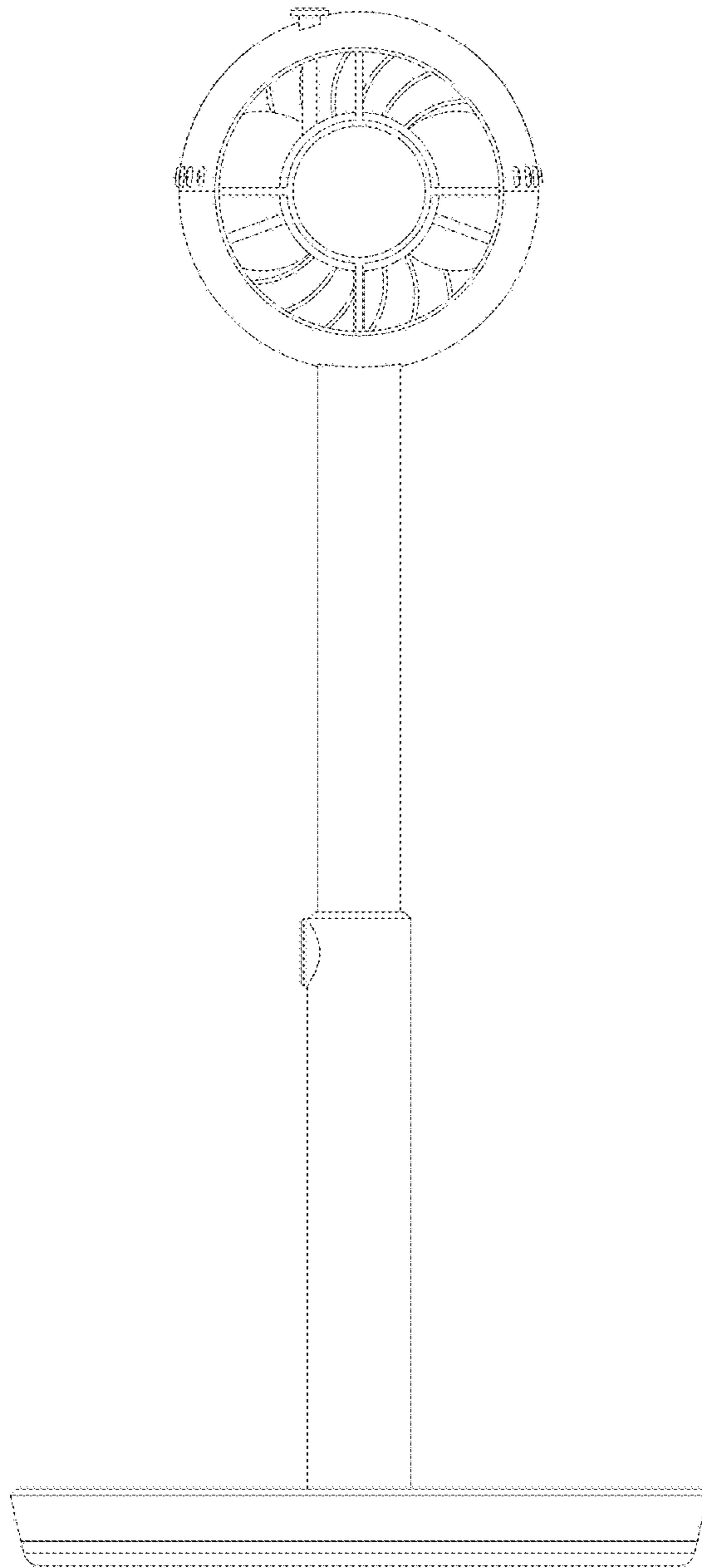


FIG. 3

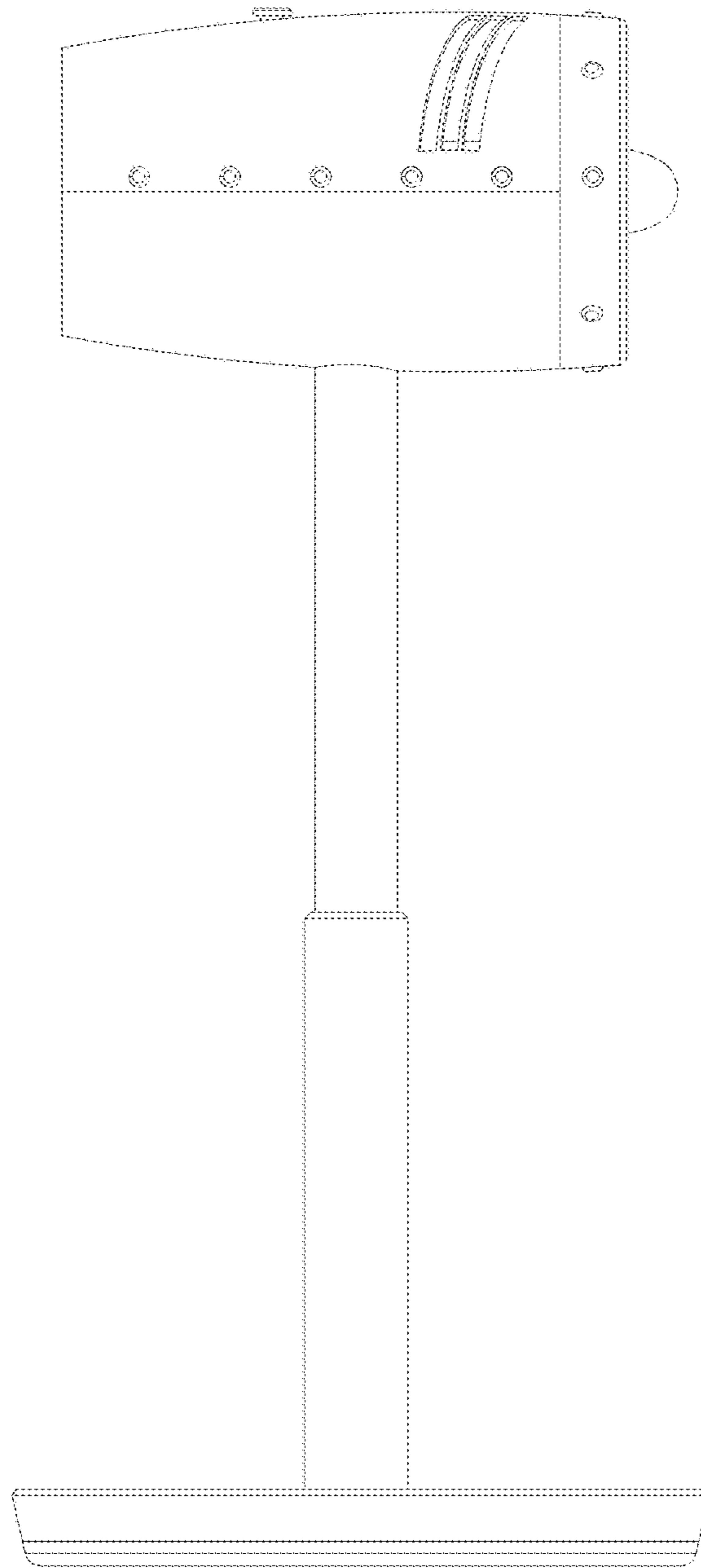


FIG. 4

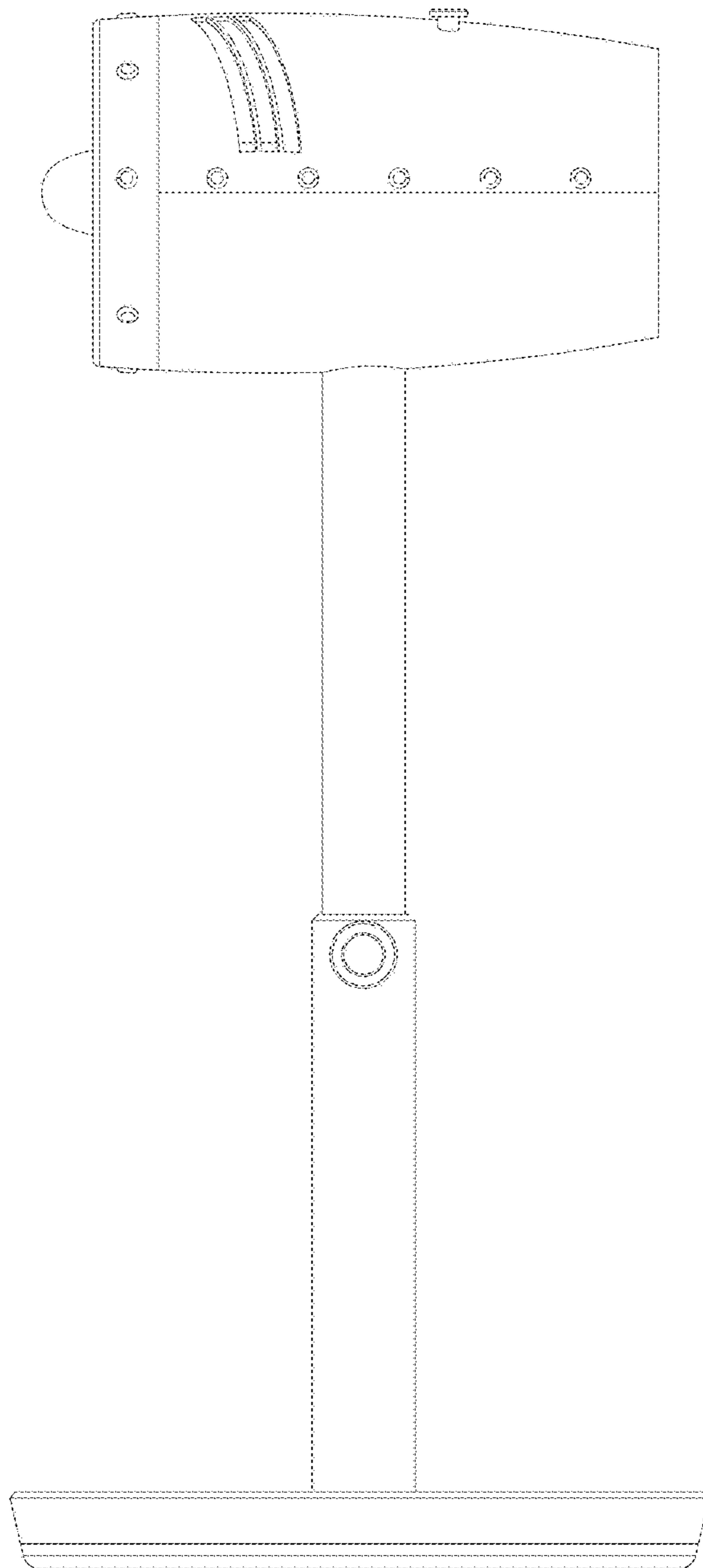


FIG. 5

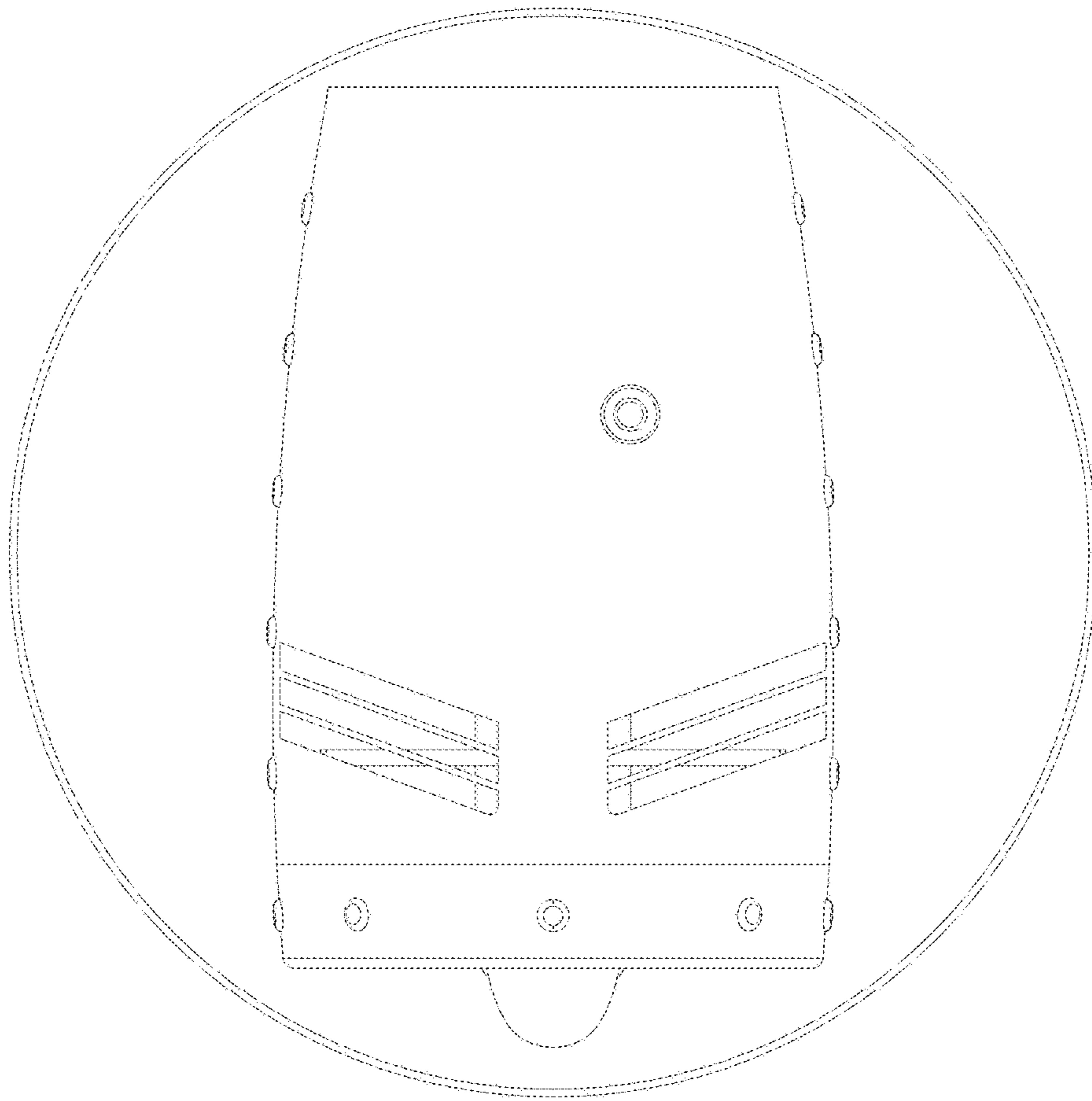


FIG. 6

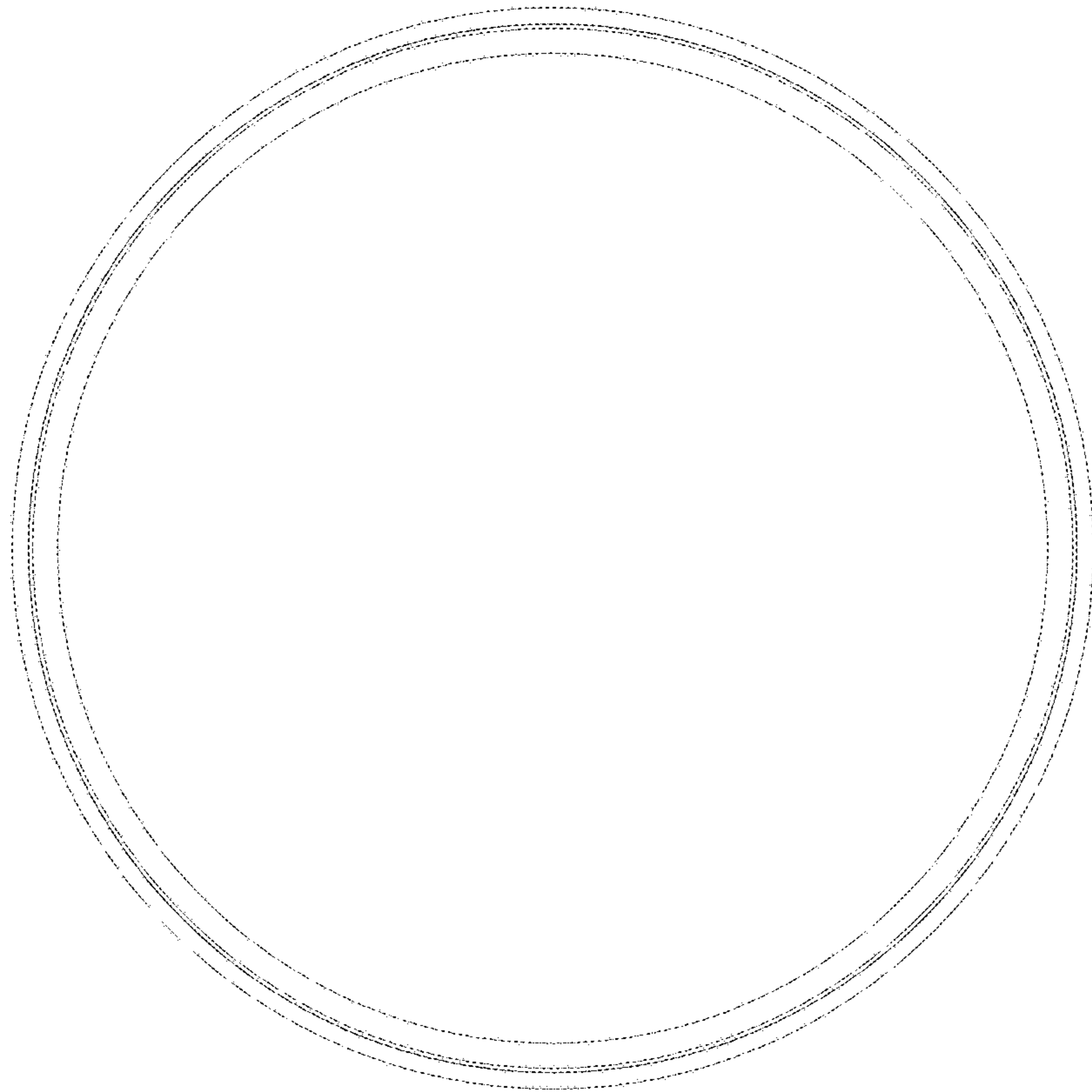


FIG. 7