



US00D844124S

(12) **United States Design Patent** (10) **Patent No.:** **US D844,124 S**  
**Measom et al.** (45) **Date of Patent:** **\*\* Mar. 26, 2019**

(54) **PORTABLE FIRE PIT**  
(71) Applicant: **Logan Outdoor Products, LLC**, Hyde Park, UT (US)  
(72) Inventors: **Ty Measom**, Logan, UT (US); **Brett Bennett**, Mantua, UT (US)  
(73) Assignee: **Logan Outdoor Products, LLC**, Hyde Park, UT (US)

D610,861 S \* 3/2010 Chung ..... D7/337  
D663,571 S \* 7/2012 Chung ..... D7/337  
D680,795 S \* 4/2013 Chung ..... D7/334  
D724,886 S \* 3/2015 Chung ..... D7/337  
D790,902 S \* 7/2017 Gloger ..... D7/334  
D792,148 S \* 7/2017 Chung ..... D7/334  
D829,050 S \* 9/2018 Measom ..... D7/403  
D830,096 S \* 10/2018 Bucklew ..... D7/332  
2004/0182381 A1 \* 9/2004 Yeh ..... A47J 37/0763  
126/25 R

(\*\*) Term: **15 Years**  
(21) Appl. No.: **29/607,736**

\* cited by examiner  
*Primary Examiner* — T Chase Nelson  
*Assistant Examiner* — Ania Aman  
(74) *Attorney, Agent, or Firm* — Preston P. Frischknecht; Project CIP

(22) Filed: **Jun. 15, 2017**  
(51) **LOC (11) Cl.** ..... **23-03**  
(52) **U.S. Cl.**  
USPC ..... **D23/332**  
(58) **Field of Classification Search**  
USPC ..... D23/332, 314, 343, 348, 350, 346;  
D7/332–337, 402–405, 352  
CPC ..... F24C 1/16; F24C 5/00; A47J 33/00; A47J  
37/0763; A47J 37/07; F24B 1/18; F24B  
1/182; F24B 1/1808; F24B 1/181; F24B  
1/195; F24B 1/191  
See application file for complete search history.

(57) **CLAIM**

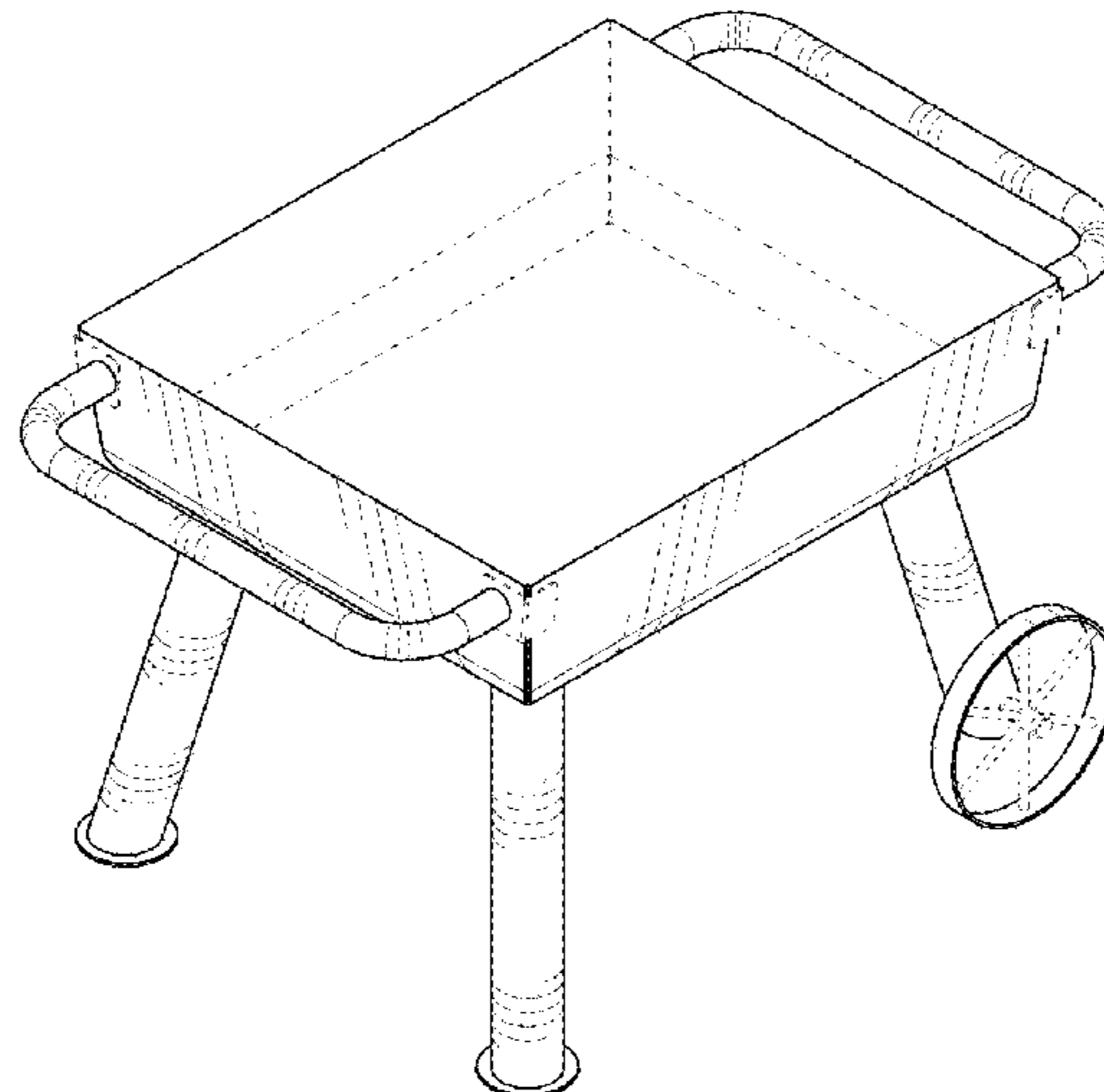
The ornamental design for a portable fire pit, as shown and described.

**DESCRIPTION**

FIG. 1 is an isometric view of a portable fire pit showing our new design;  
FIG. 2 is a right side elevation view;  
FIG. 3 is a left side elevation view;  
FIG. 4 is a front elevation view;  
FIG. 5 is a back elevation view;  
FIG. 6 is a top plan view; and,  
FIG. 7 is a bottom plan view.  
In the drawings, the broken lines depict unclaimed subject matter only and form no part of the claimed design.

(56) **References Cited**  
U.S. PATENT DOCUMENTS  
D179,649 S \* 2/1957 Maddox ..... D6/691.6  
D188,879 S \* 9/1960 Gauss et al. .... D7/334  
D191,291 S \* 9/1961 Miller ..... 126/25 R  
5,499,573 A \* 3/1996 Lin ..... A47J 37/0763  
126/25 R  
D415,925 S \* 11/1999 Pai ..... D7/337  
D464,227 S \* 10/2002 Eisinger ..... D7/332

**1 Claim, 7 Drawing Sheets**



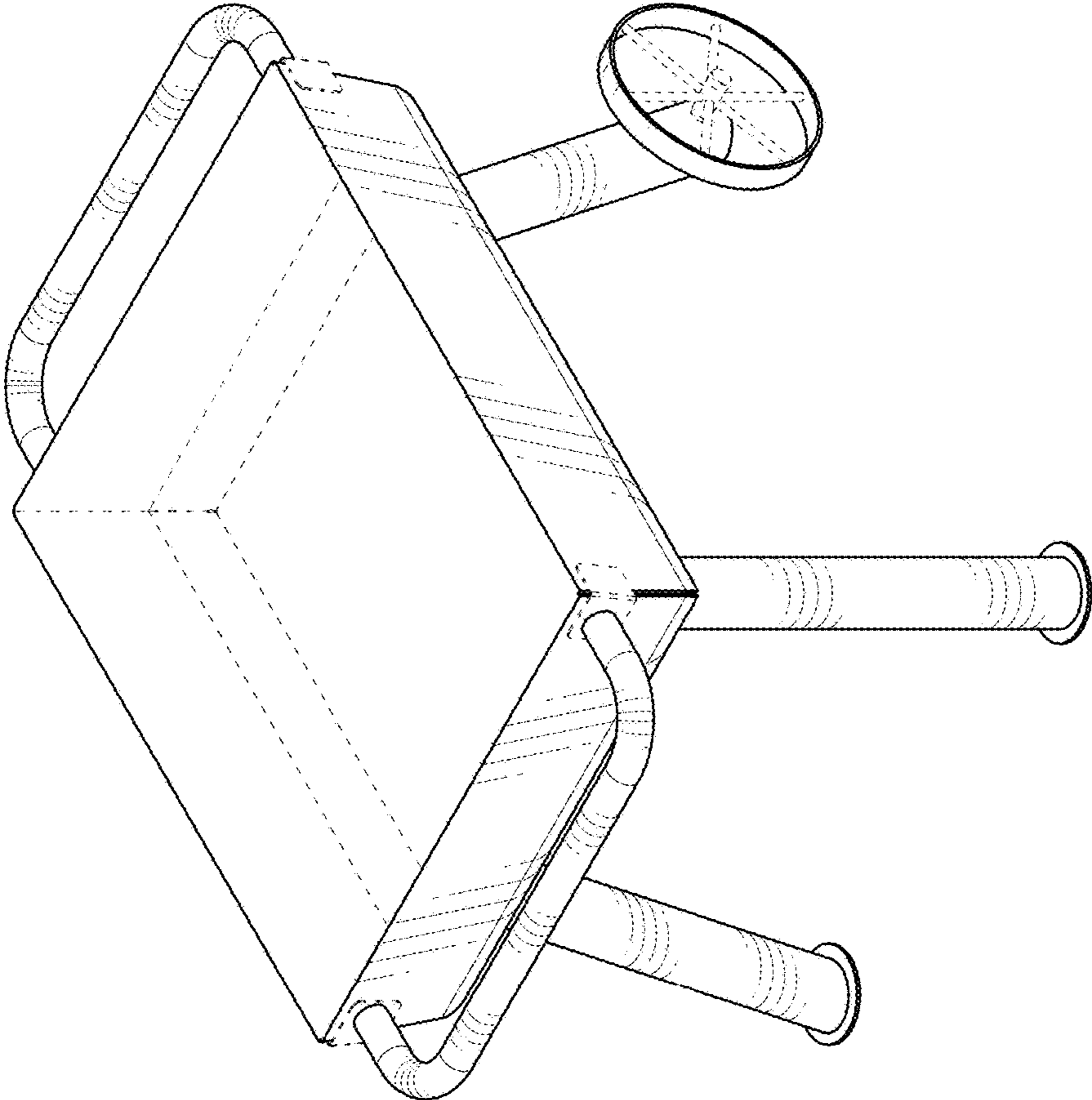


FIG. 1

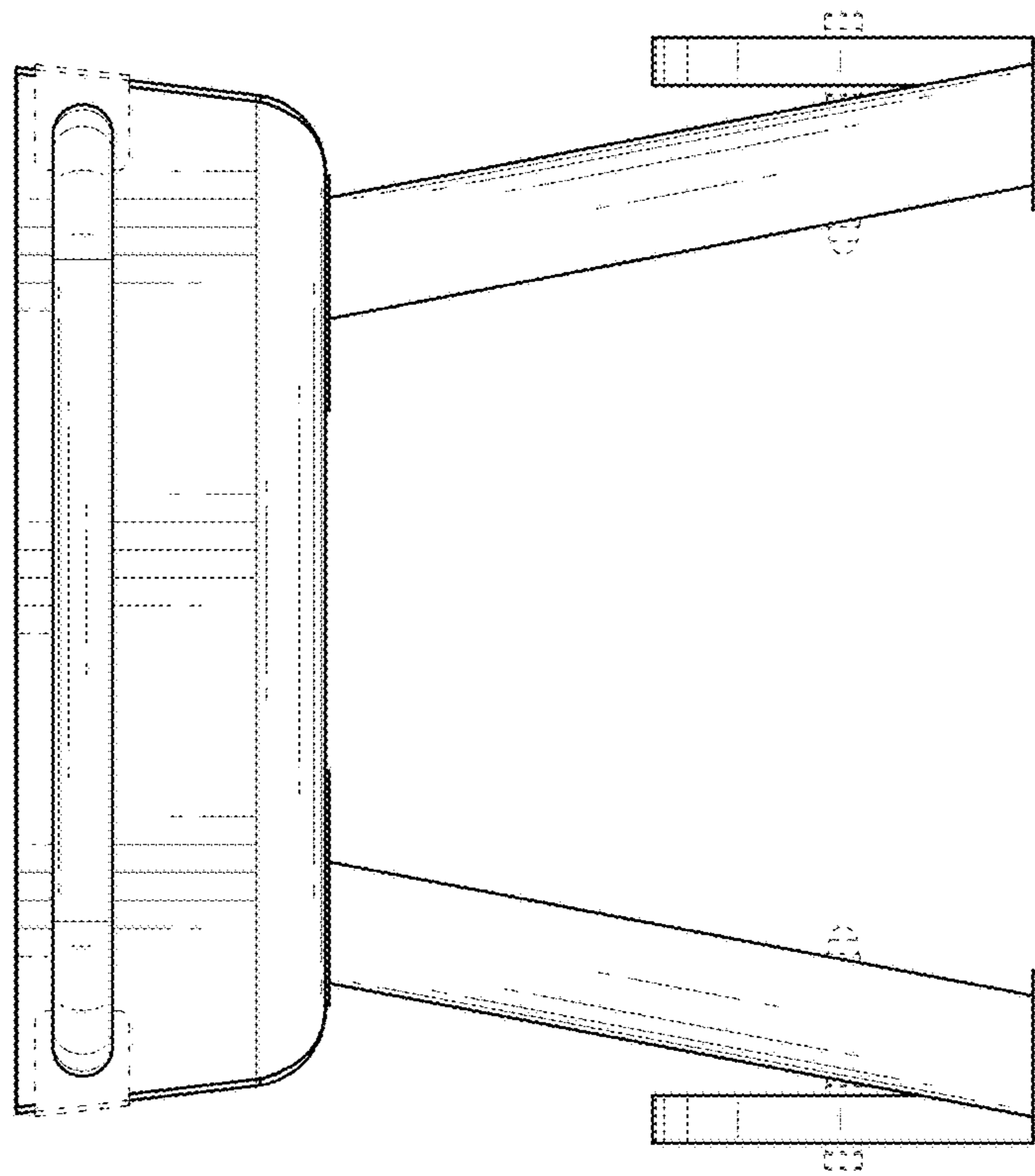


FIG. 2

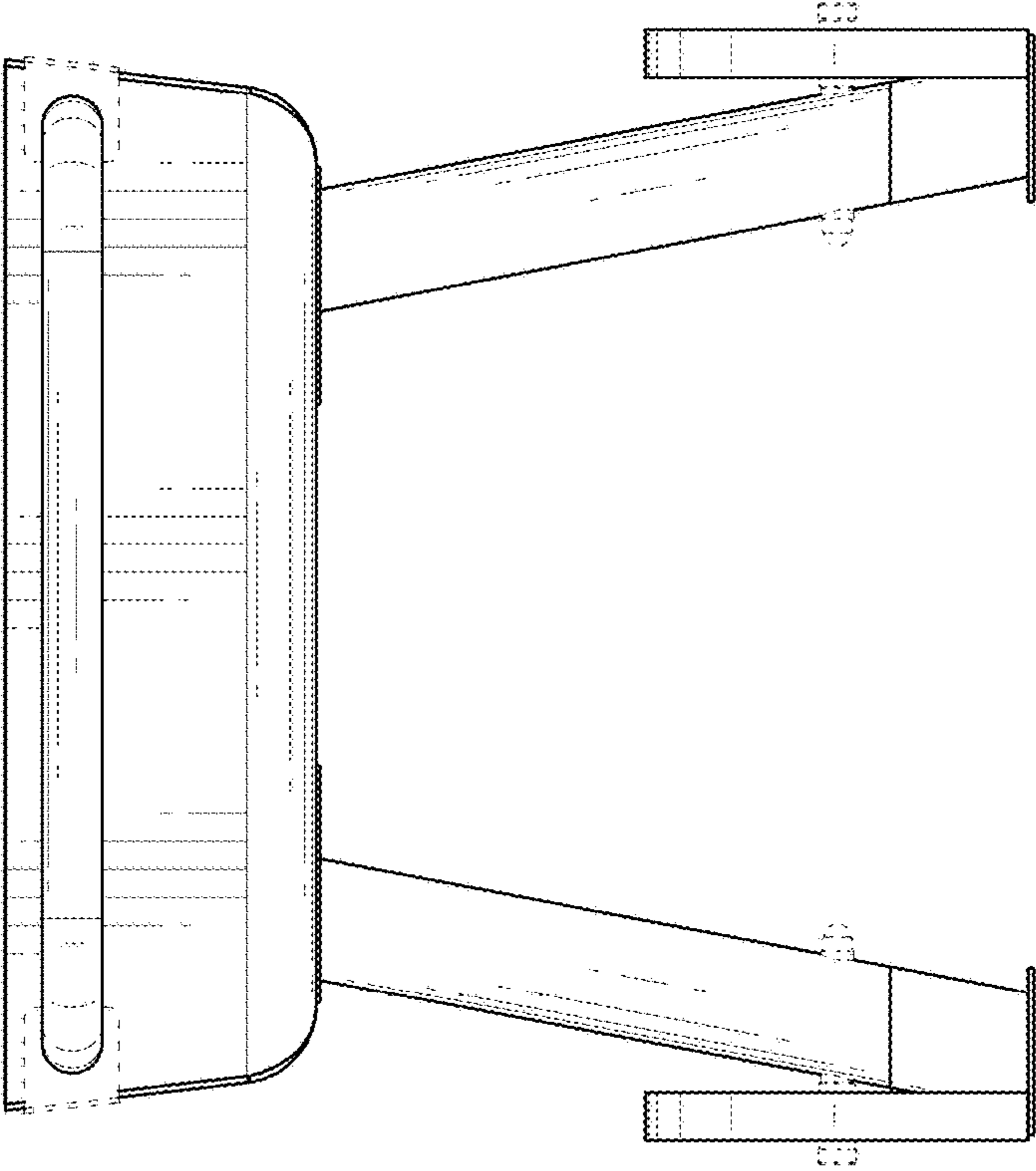


FIG. 3

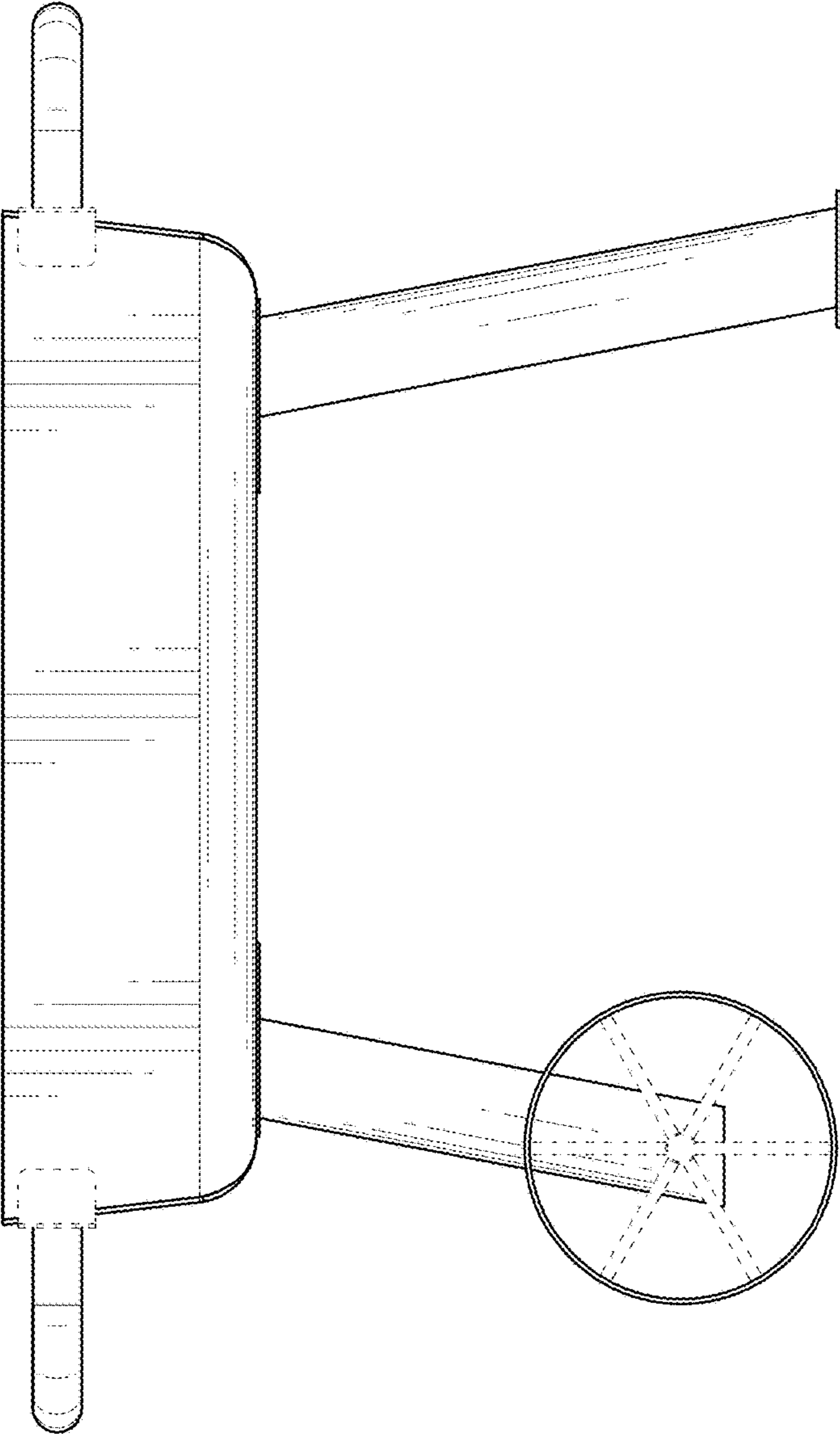


FIG. 4

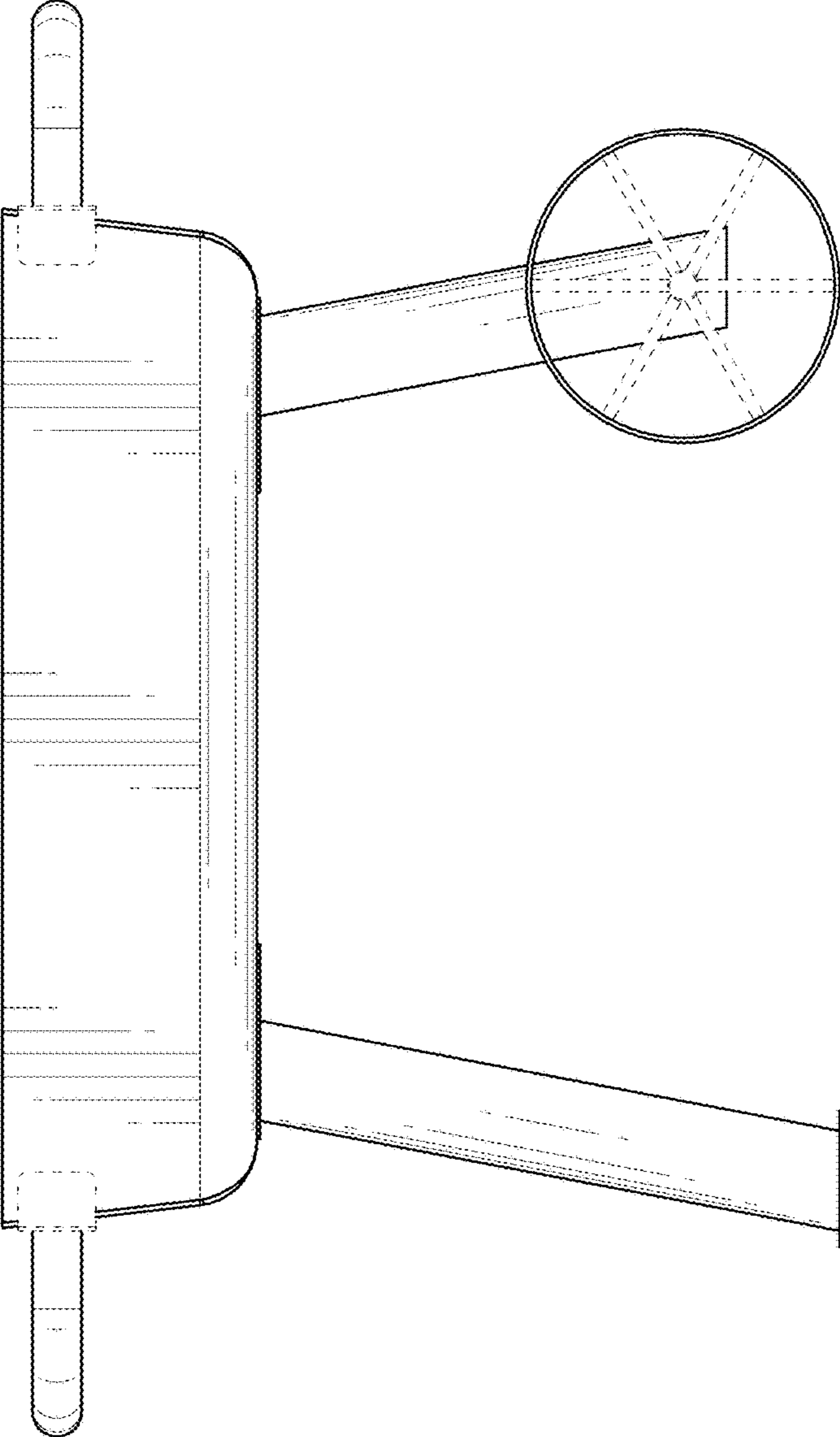


FIG. 5

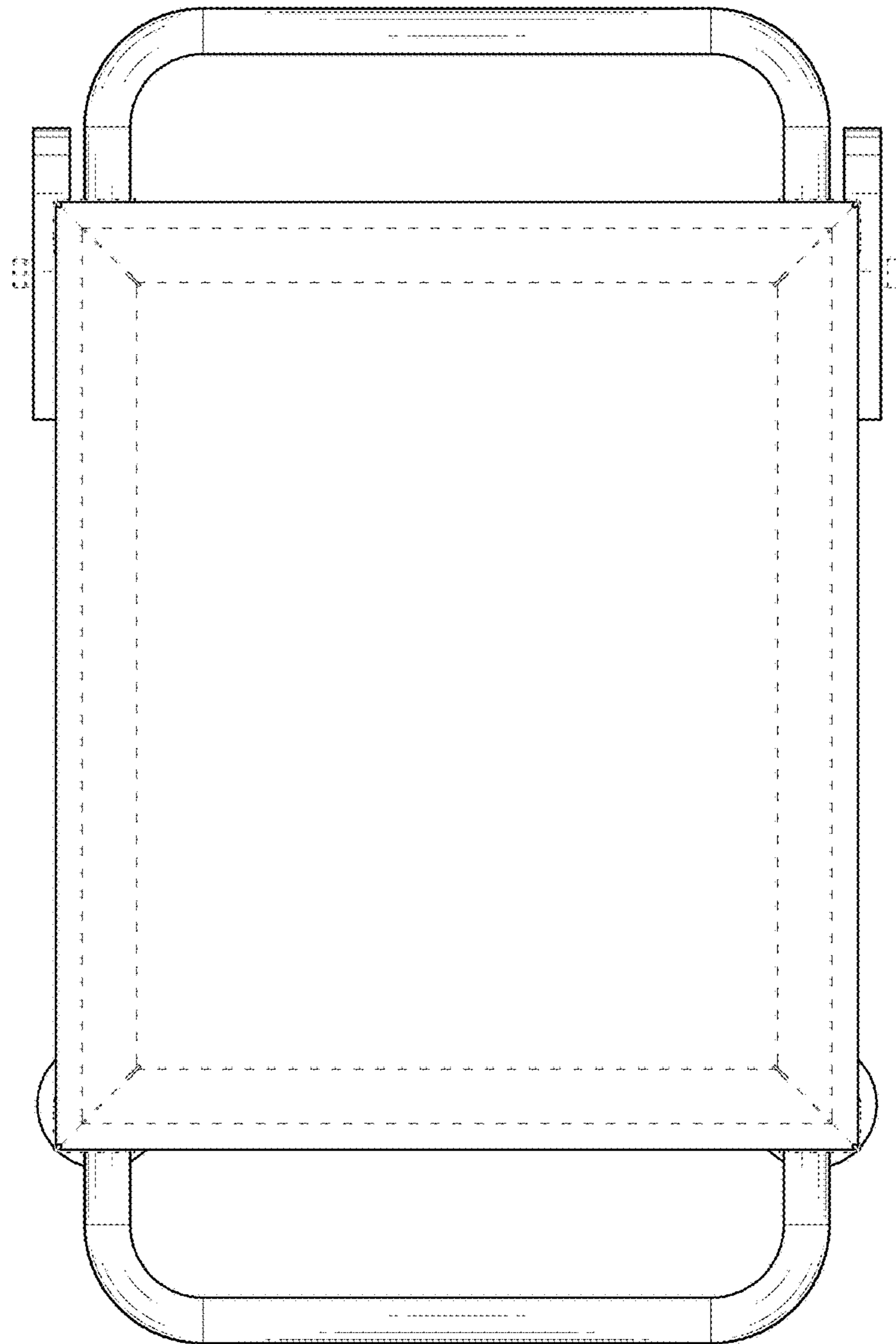


FIG. 6



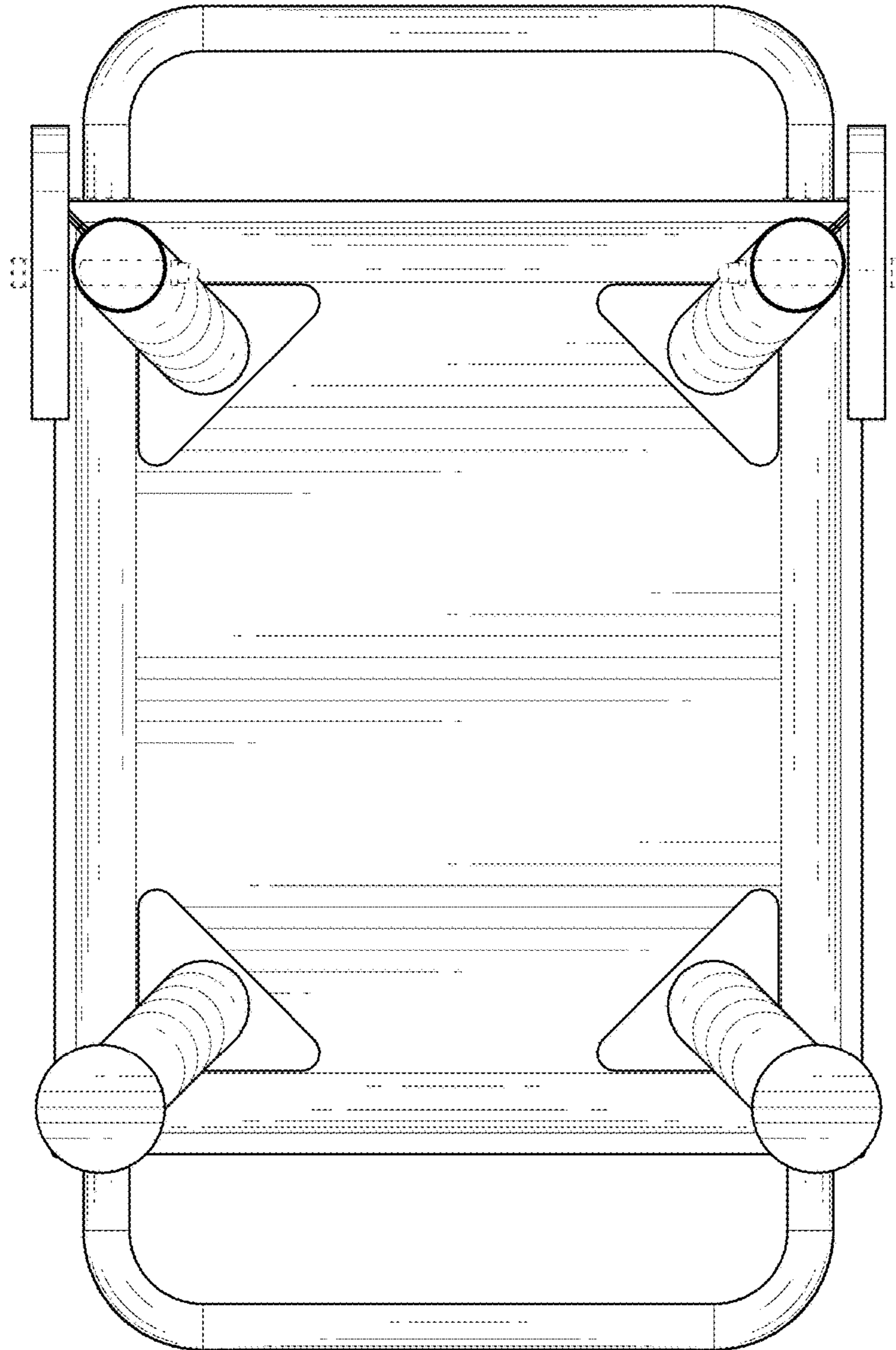


FIG. 7