



US00D844122S

(12) **United States Design Patent**
Kwak

(10) **Patent No.:** **US D844,122 S**

(45) **Date of Patent:** **** Mar. 26, 2019**

(54) **PORTABLE TOILET**

(71) Applicant: **Jeoung Eun Kwak**, Seoul (KR)

(72) Inventor: **Jeoung Eun Kwak**, Seoul (KR)

(**) Term: **15 Years**

(21) Appl. No.: **29/628,689**

(22) Filed: **Dec. 6, 2017**

(30) **Foreign Application Priority Data**

Jun. 7, 2017 (KR) 30-2017-0025642

(51) **LOC (11) Cl.** **23-02**

(52) **U.S. Cl.**
USPC **D23/311; D23/299**

(58) **Field of Classification Search**
USPC D23/303, 311-312, 290
CPC A47K 13/00; A47K 13/06; A47K 13/24;
A47K 13/005

See application file for complete search history.

(56) **References Cited**

U.S. PATENT DOCUMENTS

3,671,981 A * 6/1972 Smith A47K 13/005
4/239

D282,964 S * 3/1986 Beprestis D23/311

D390,931 S * 2/1998 Jackson D23/311
D646,365 S * 10/2011 Parekh D23/290
D669,973 S * 10/2012 Reda D23/311
D686,708 S * 7/2013 Khiroya D23/311
D755,358 S * 5/2016 Bodman D23/311

* cited by examiner

Primary Examiner — Robert A Delehanty

(74) *Attorney, Agent, or Firm* — Lewis Roca Rothgerber
Christie LLP

(57) **CLAIM**

The ornamental design for a portable toilet, as shown and described.

DESCRIPTION

FIG. 1 is a perspective view of an entire shape of this design;
FIG. 2 is a front view thereof;
FIG. 3 is a rear view thereof;
FIG. 4 is a left-side view thereof;
FIG. 5 is a right-side view thereof;
FIG. 6 is a top view thereof;
FIG. 7 is a bottom view thereof;
FIG. 8 illustrates a main body and a seat part that is to be folded on an upper portion of the main body of this design; and,
FIG. 9 illustrates a main body and a seat part that is fully folded on an upper portion of the main body of this design.

1 Claim, 9 Drawing Sheets

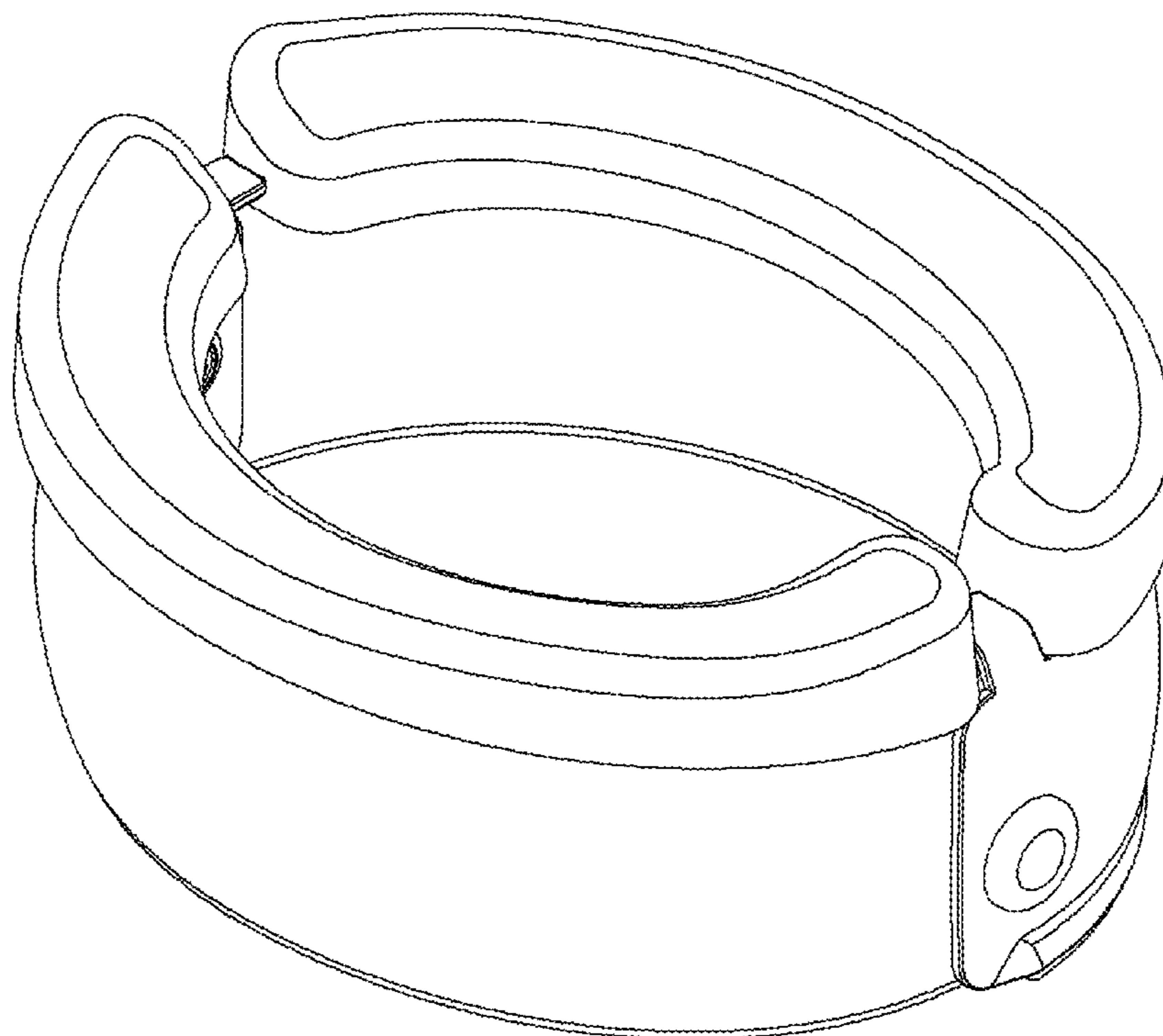


FIG. 1

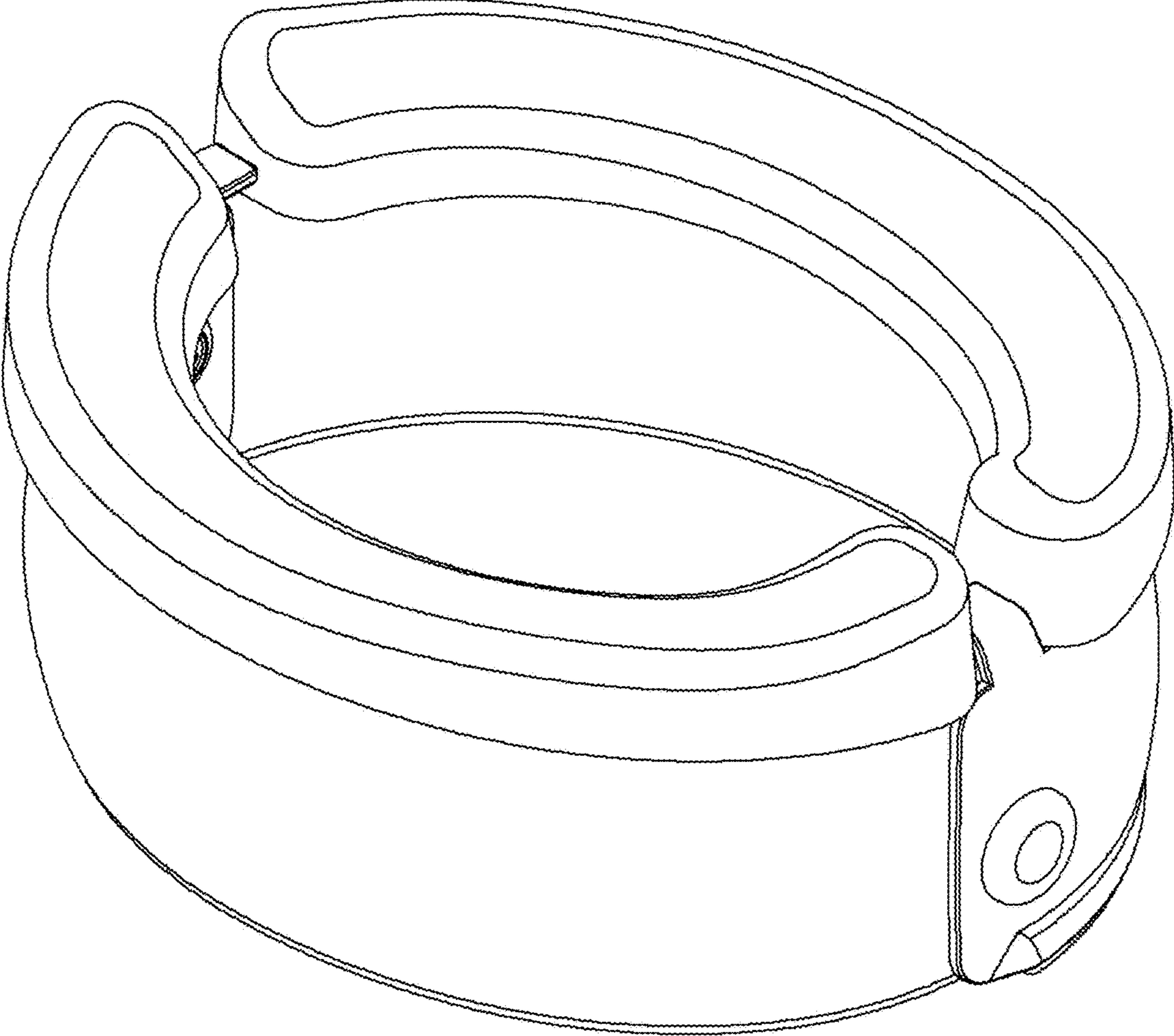


FIG. 2

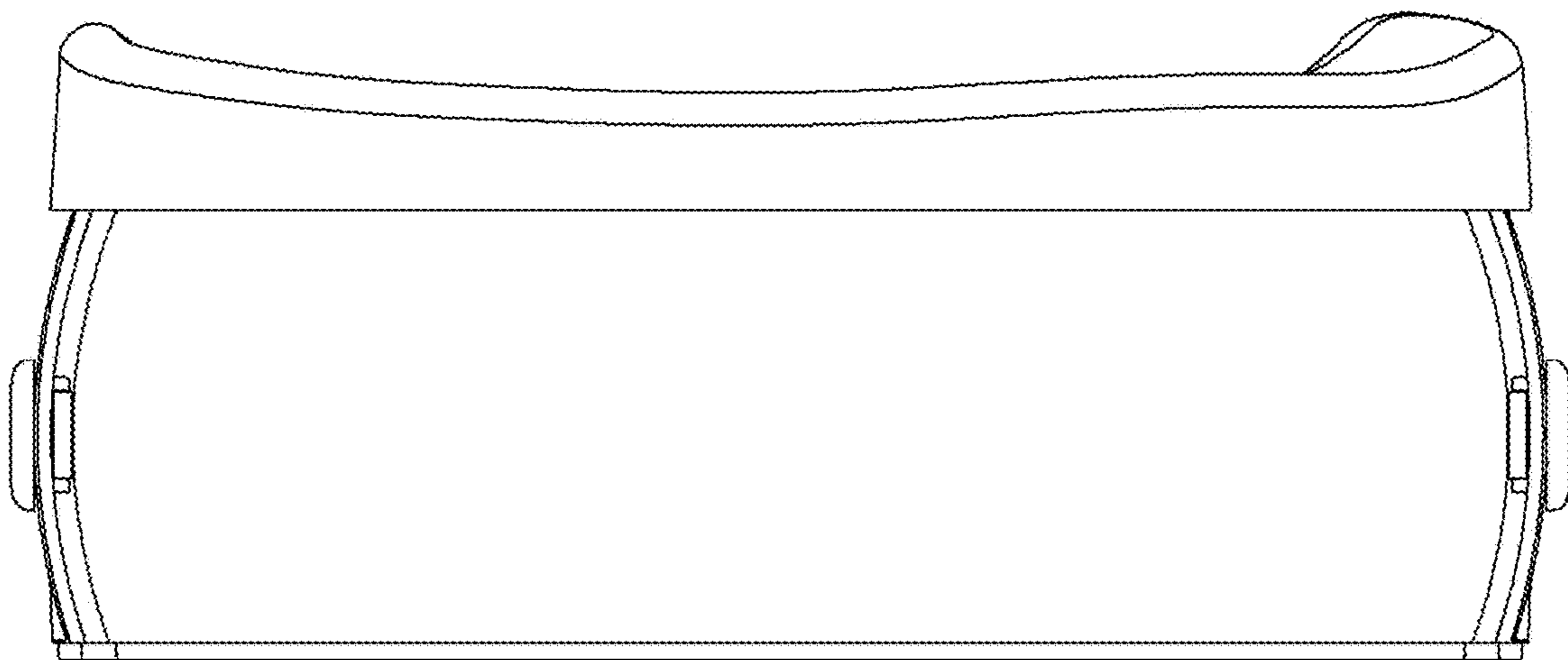


FIG. 3

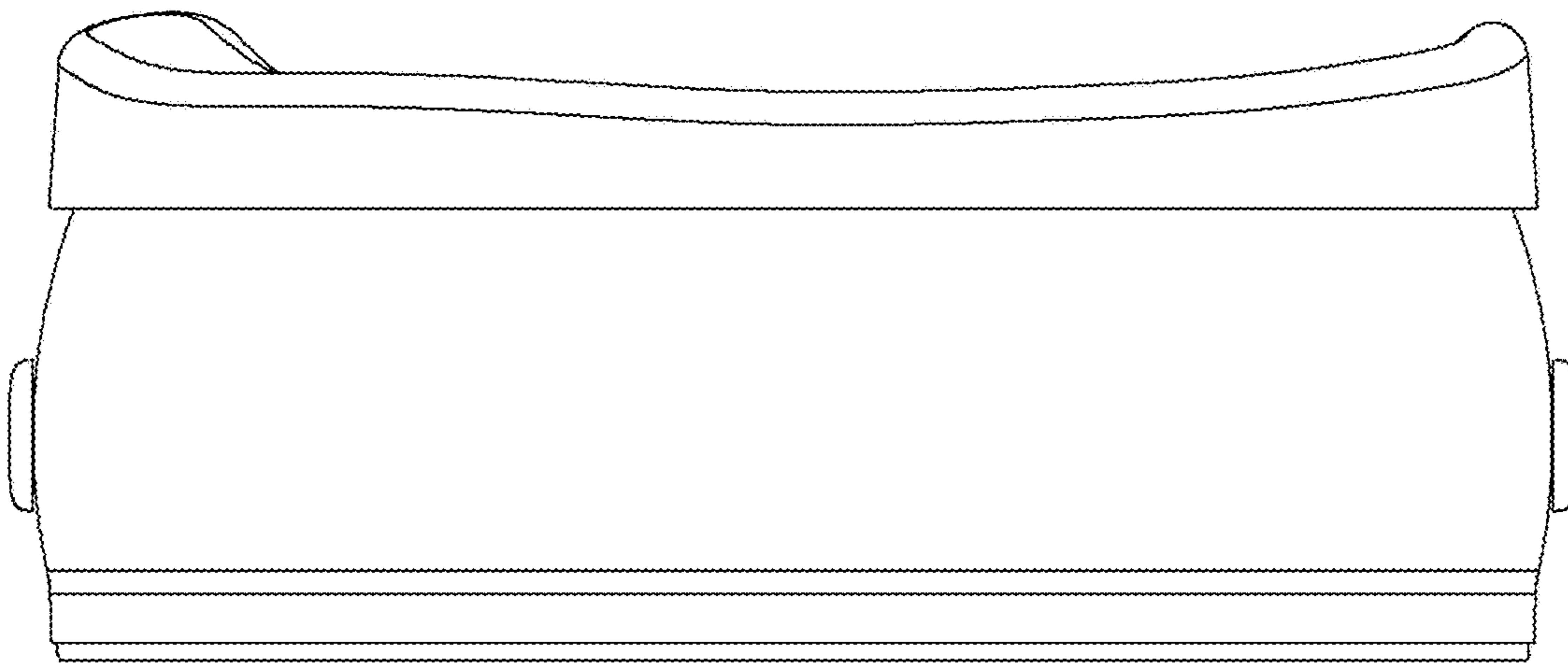


FIG. 4

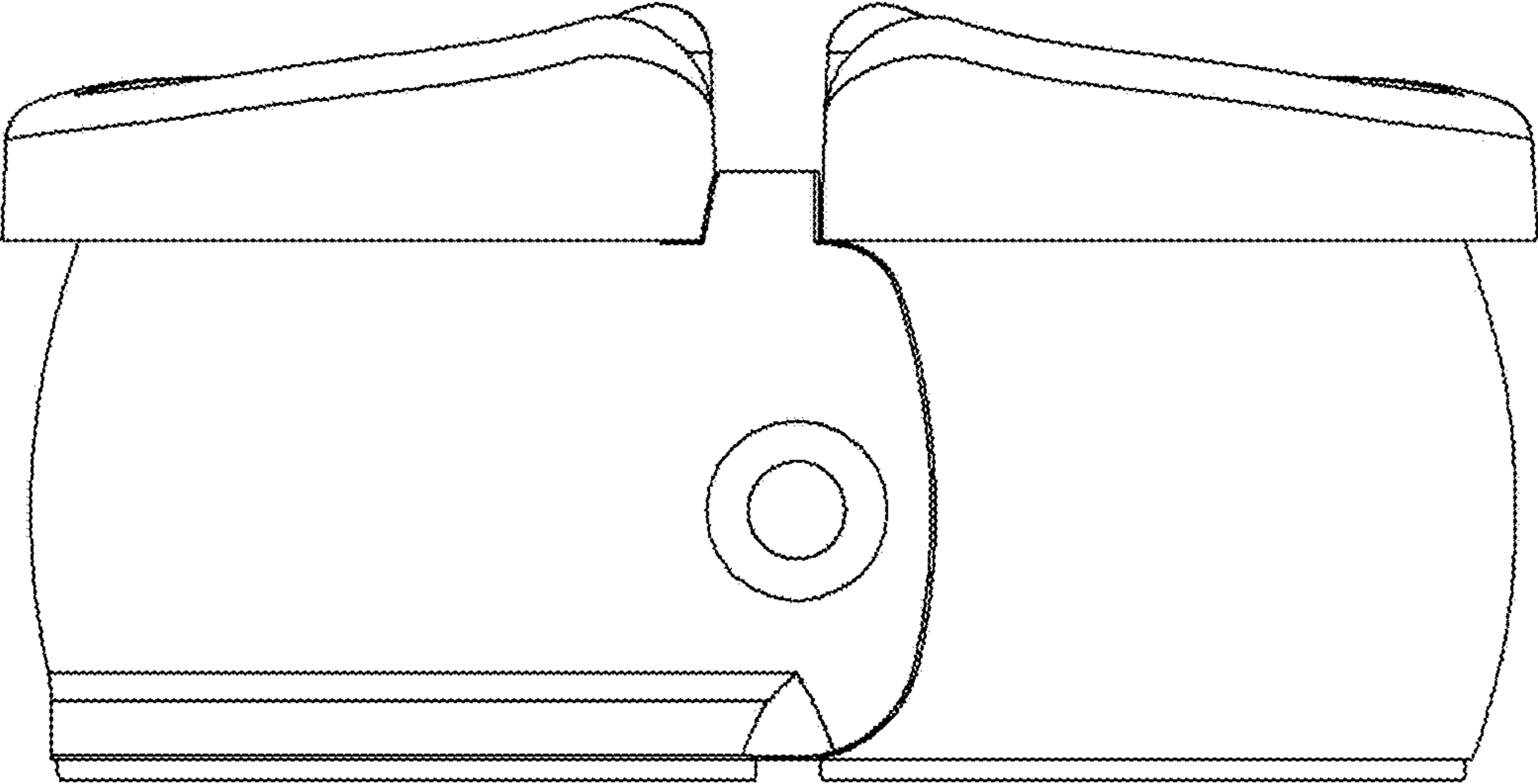


FIG. 5

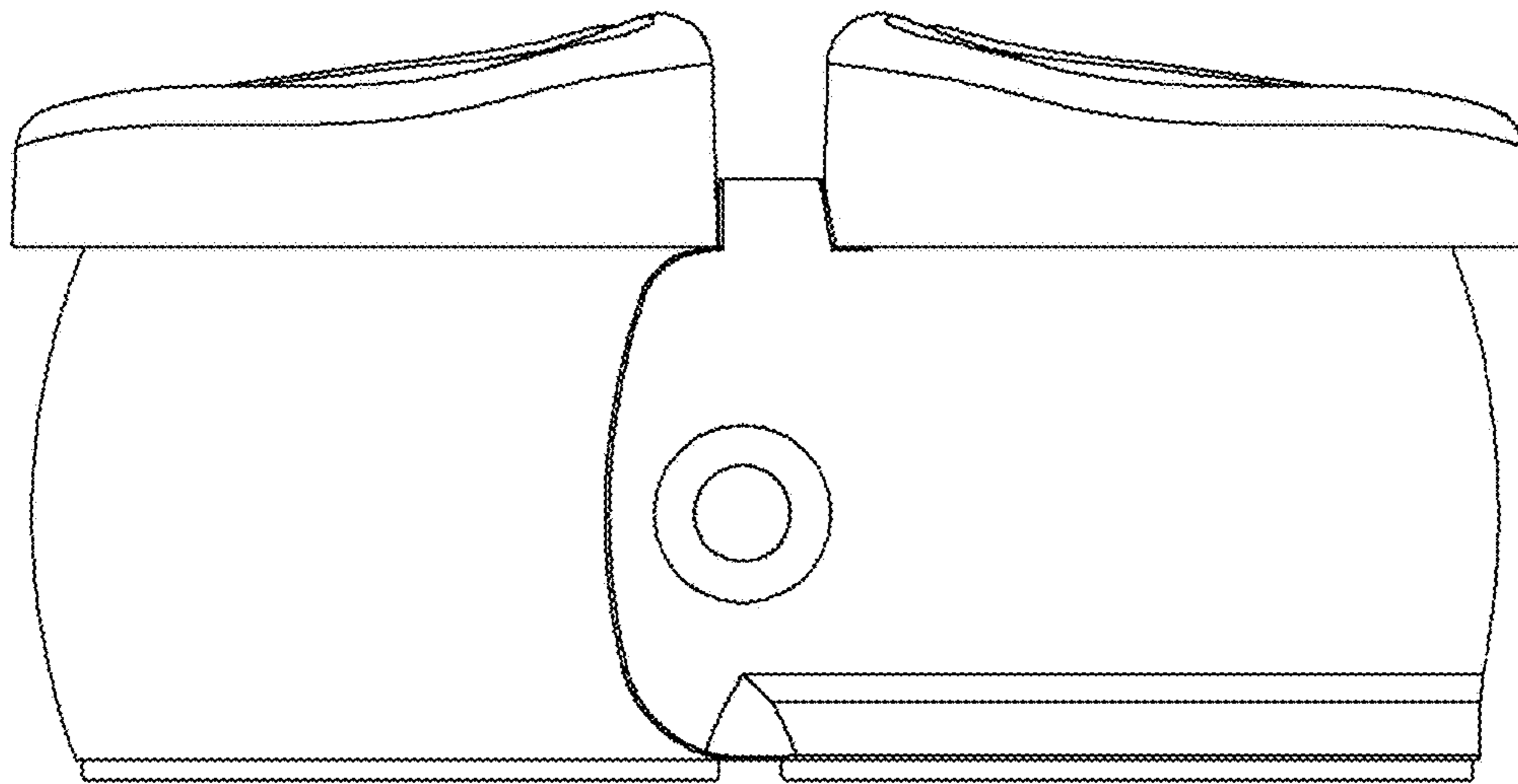


FIG. 6

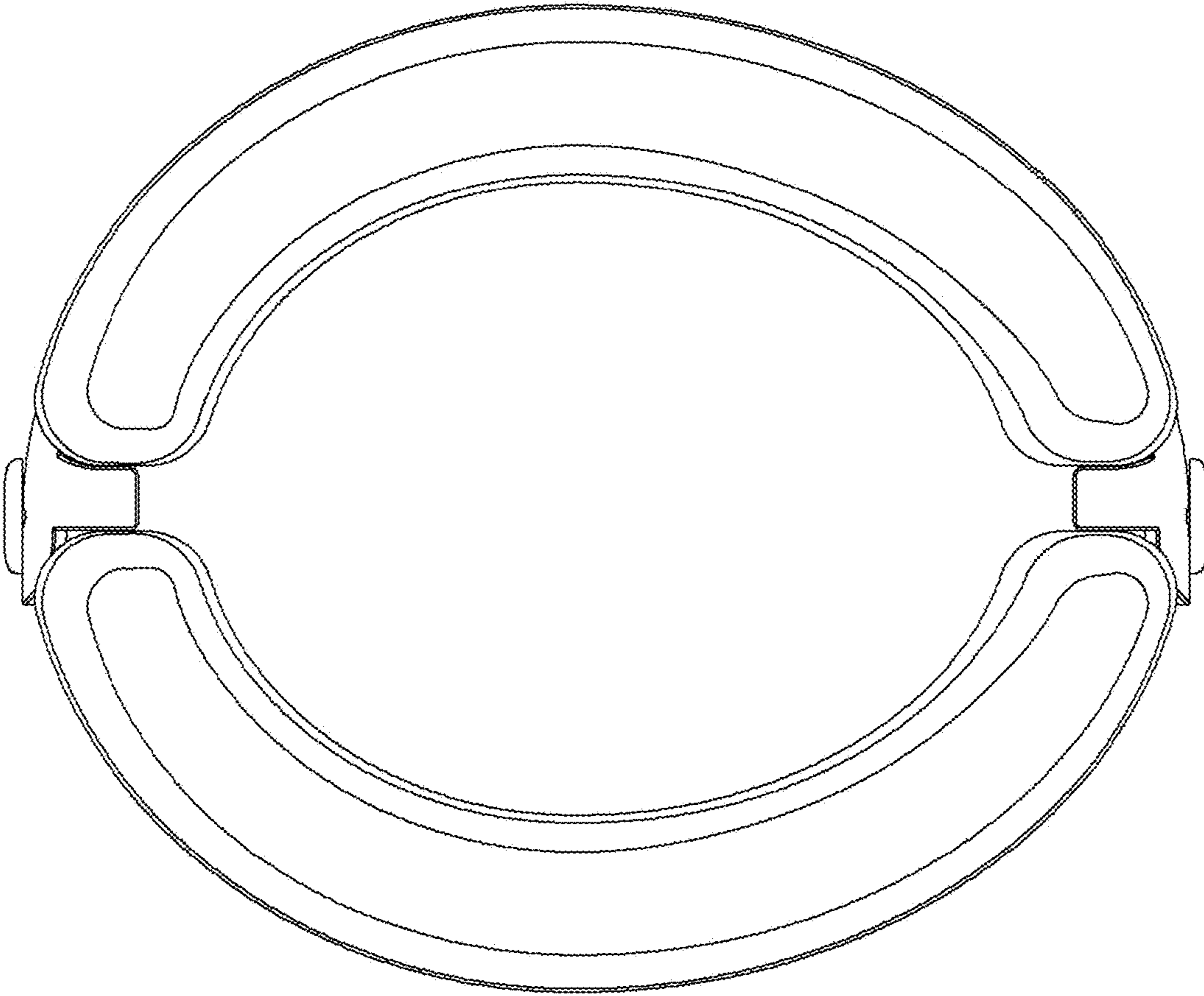


FIG. 7

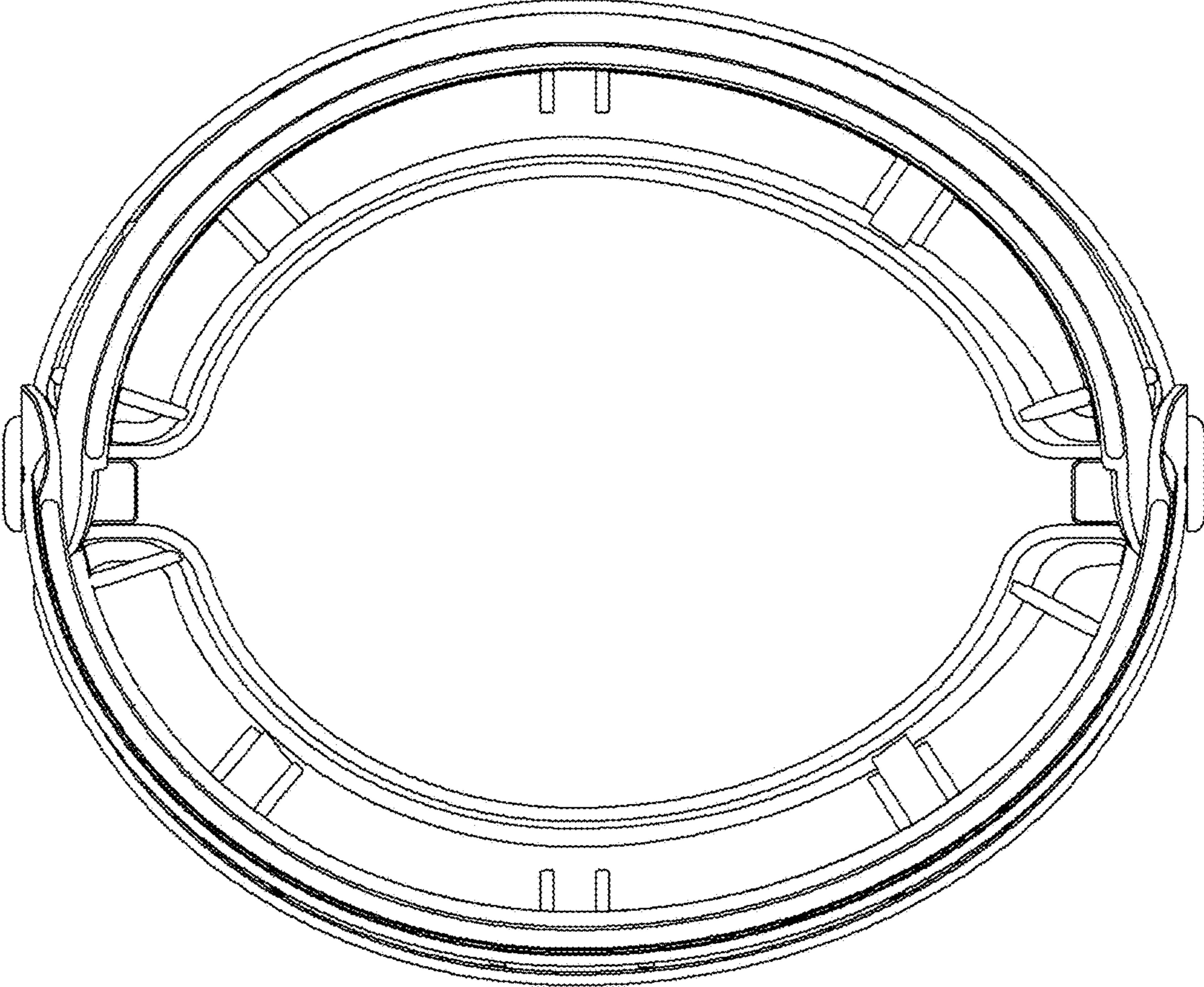


FIG. 8

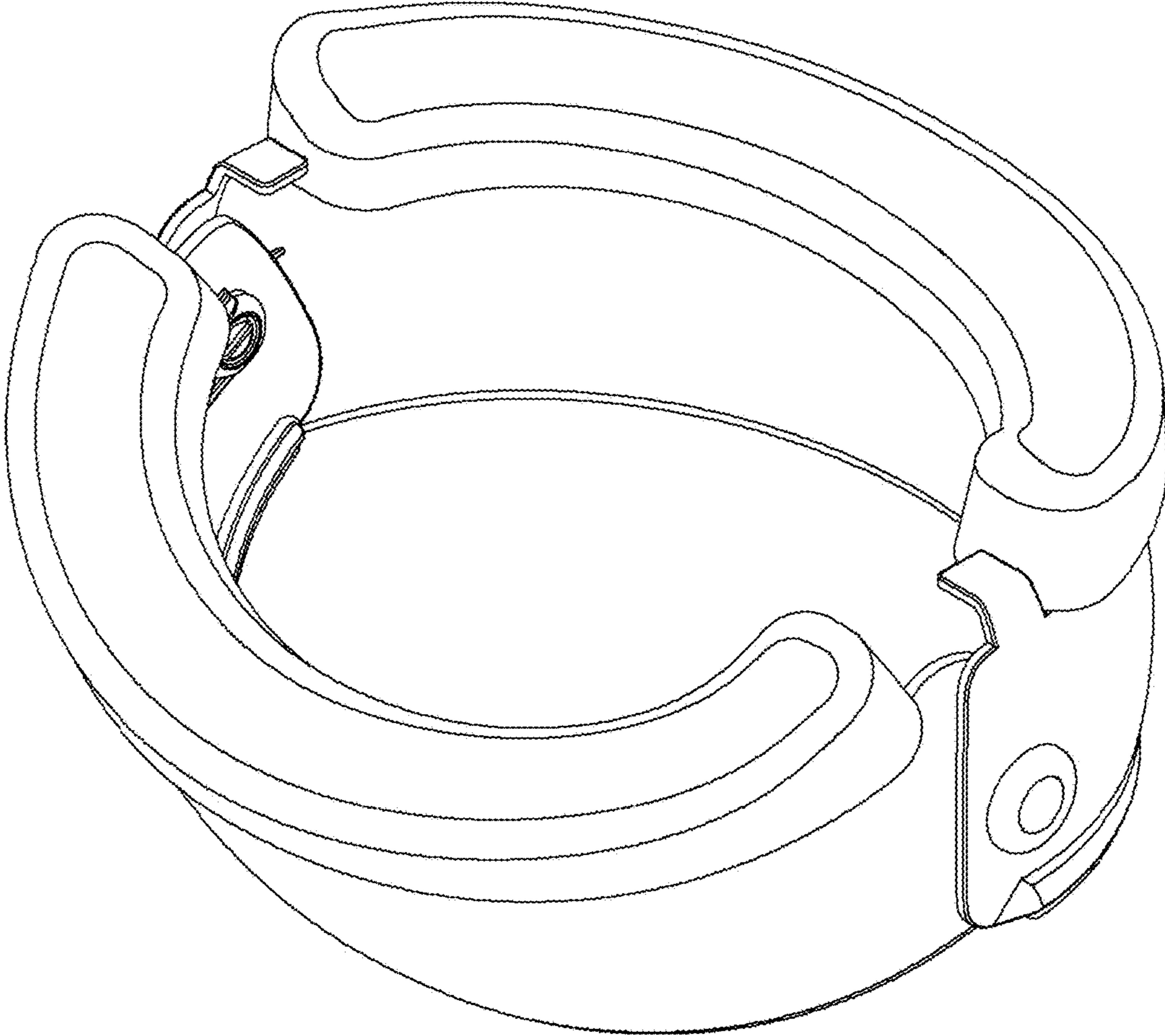


FIG. 9

