



US00D844121S

(12) **United States Design Patent** (10) **Patent No.:** **US D844,121 S**
Shigeta et al. (45) **Date of Patent:** **** Mar. 26, 2019**

(54) **TOILET SEAT**

(71) Applicant: **TOTO, Ltd.**, Kitakyushu-shi, Fukuoka (JP)

(72) Inventors: **Ayaka Shigeta**, Kitakyushu (JP);
Minoru Tani, Kitakyushu (JP);
Masafumi Ishikawa, Kitakyushu (JP);
Lea Mari Mendoza, Morrow, GA (US)

(73) Assignee: **TOTO, Ltd.**, Kitakyushu-shi, Fukuoka (JP)

(**) Term: **15 Years**

(21) Appl. No.: **29/618,485**

(22) Filed: **Sep. 21, 2017**

(51) **LOC (11) Cl.** **23-02**

(52) **U.S. Cl.**
USPC **D23/311**

(58) **Field of Classification Search**
USPC D23/303, 311-312
CPC A47K 13/00; A47K 13/02; A47K 13/24
See application file for complete search history.

(56) **References Cited**

U.S. PATENT DOCUMENTS

D691,249 S * 10/2013 Obara D23/311
D704,317 S * 5/2014 Shinozaki D23/311
D733,270 S * 6/2015 Hao D23/301

* cited by examiner

Primary Examiner — Robert A Delehanty
(74) *Attorney, Agent, or Firm* — Banner & Witcoff, Ltd.

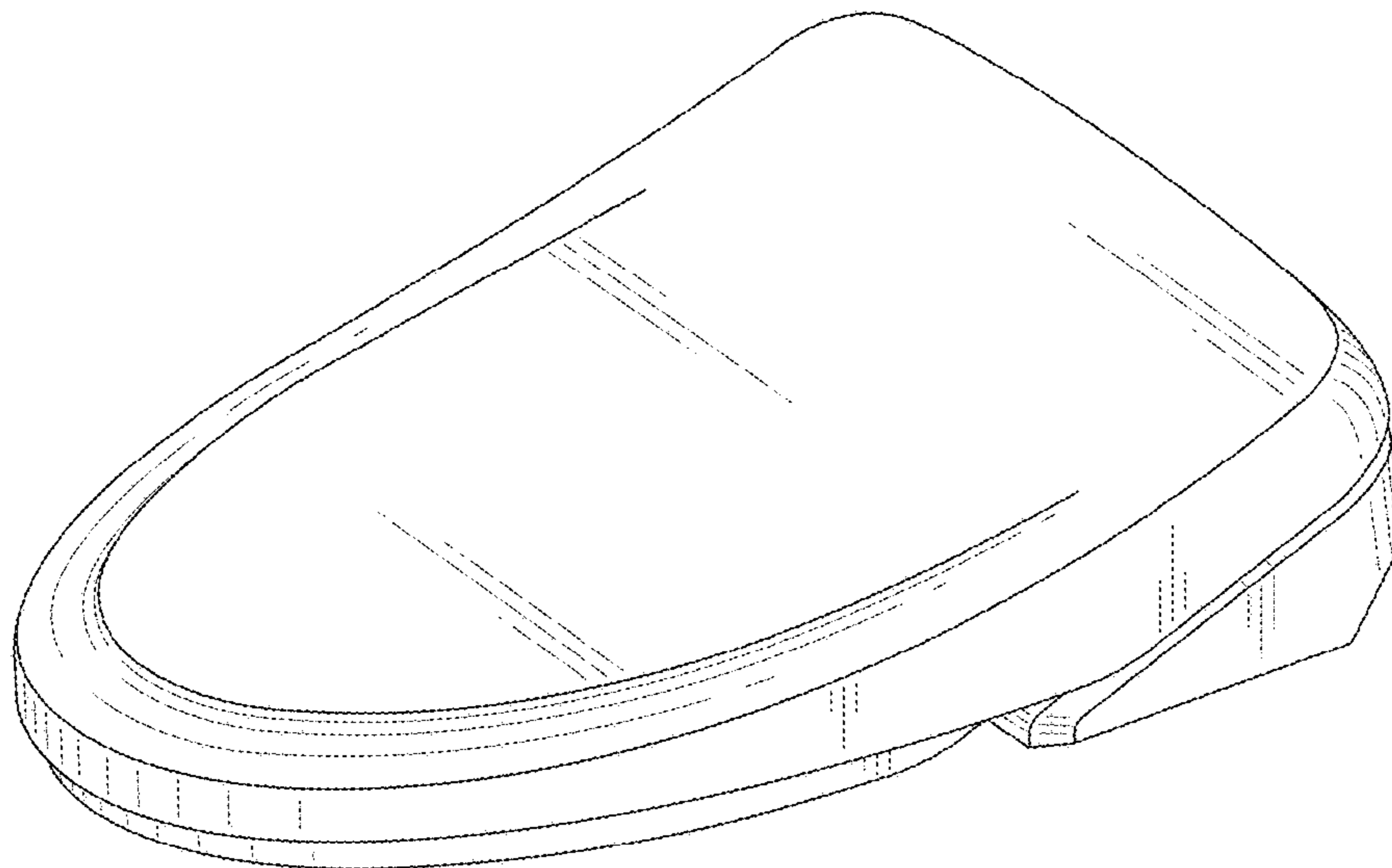
(57) **CLAIM**

The ornamental design for a toilet seat, as shown and described.

DESCRIPTION

FIG. 1 is a front perspective view of a toilet seat showing our new design;
FIG. 2 is a front view thereof;
FIG. 3 is a rear view thereof;
FIG. 4 is a left side view thereof;
FIG. 5 is a right side view thereof;
FIG. 6 is a top view thereof; and,
FIG. 7 is a bottom view thereof.
The broken lines shown in the drawings illustrate portions of the toilet seat that form no part of the claimed design.

1 Claim, 5 Drawing Sheets



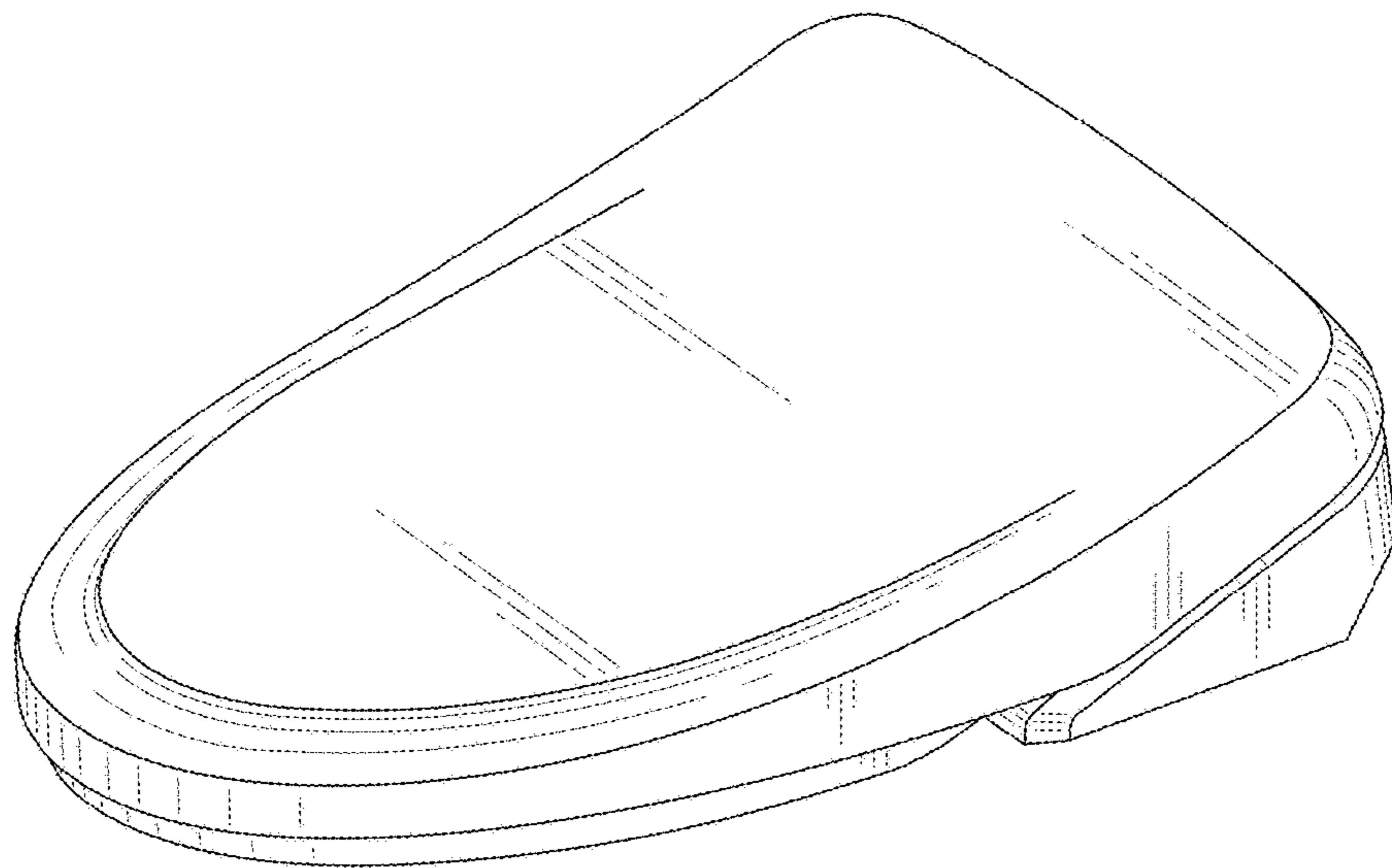


FIG. 1

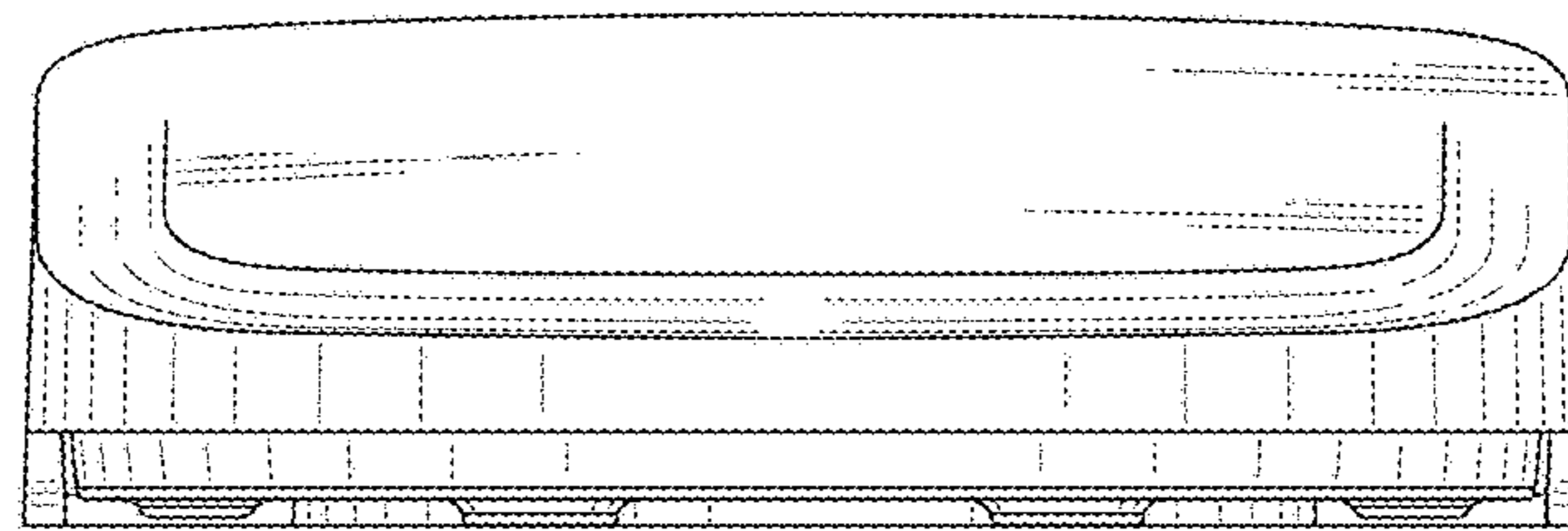


FIG. 2

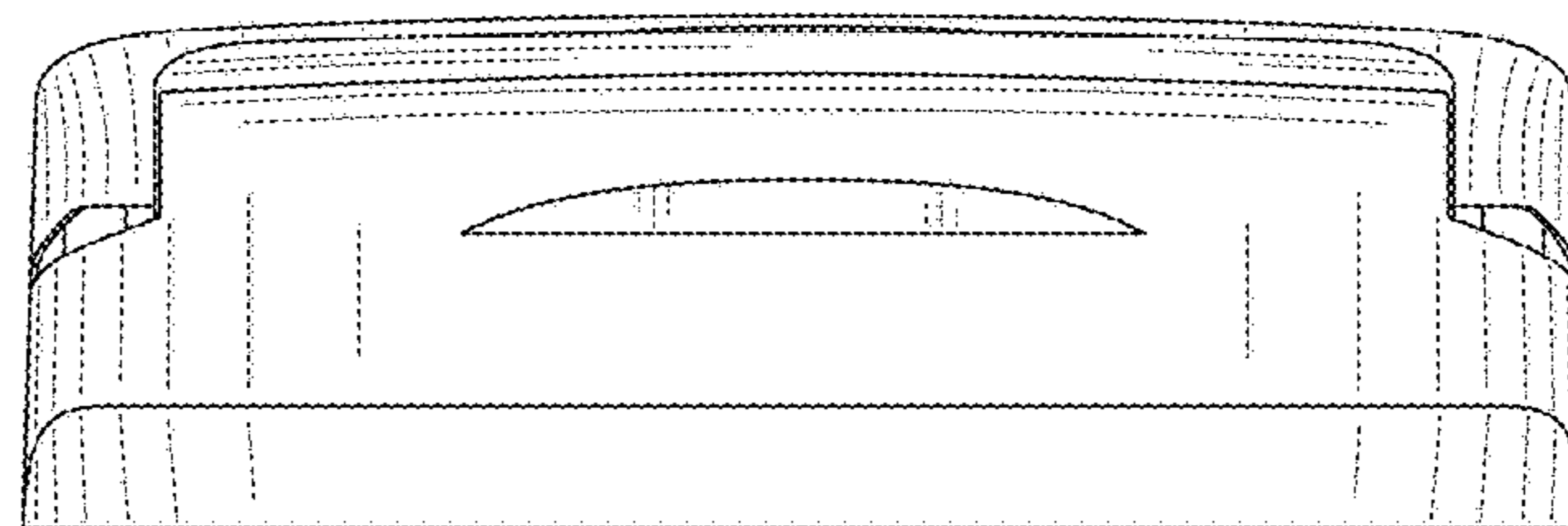


FIG. 3

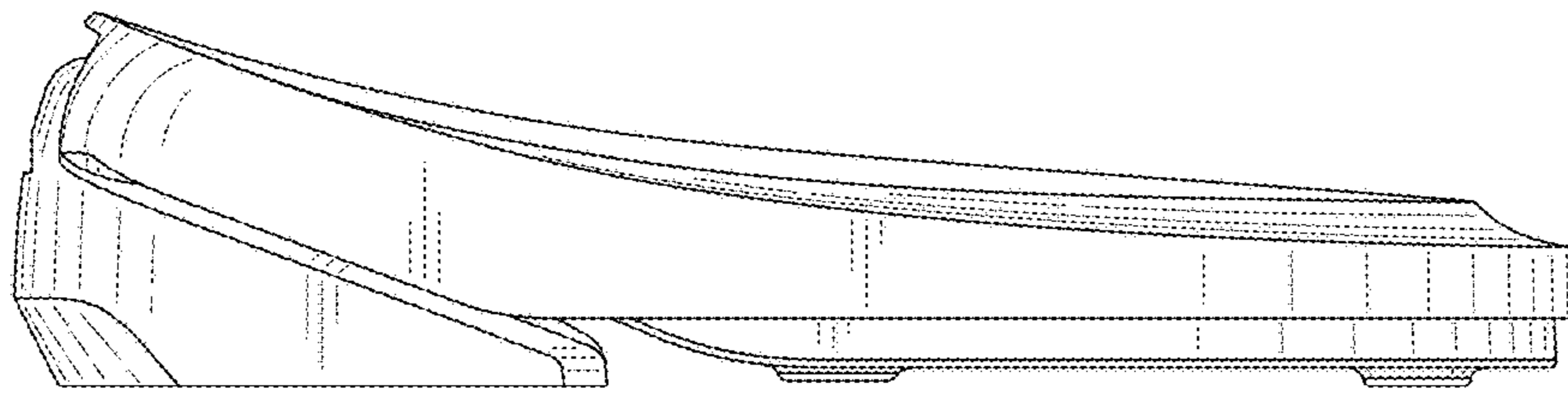


FIG. 4

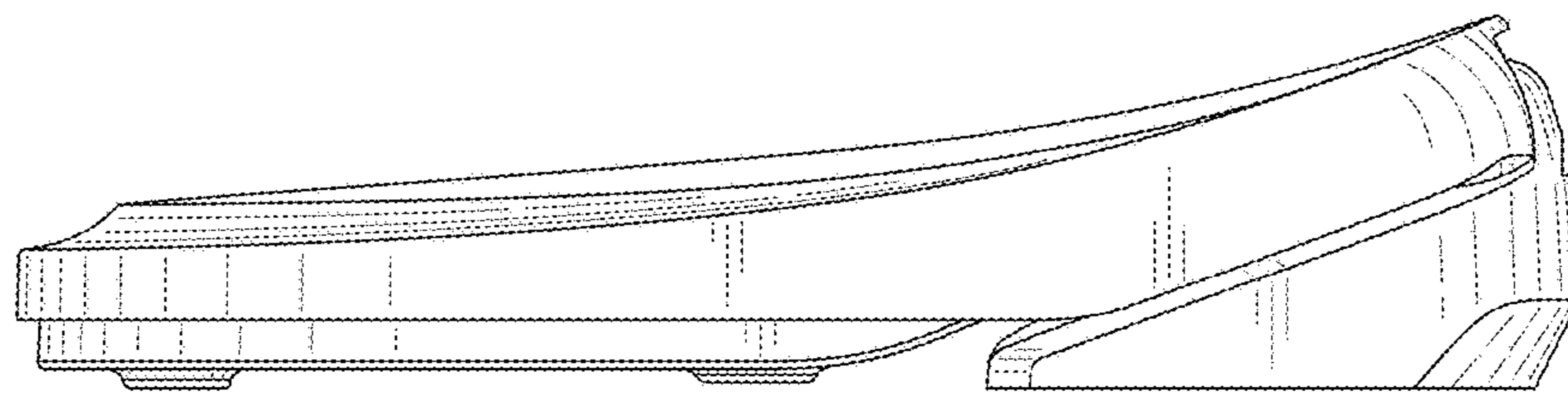


FIG. 5

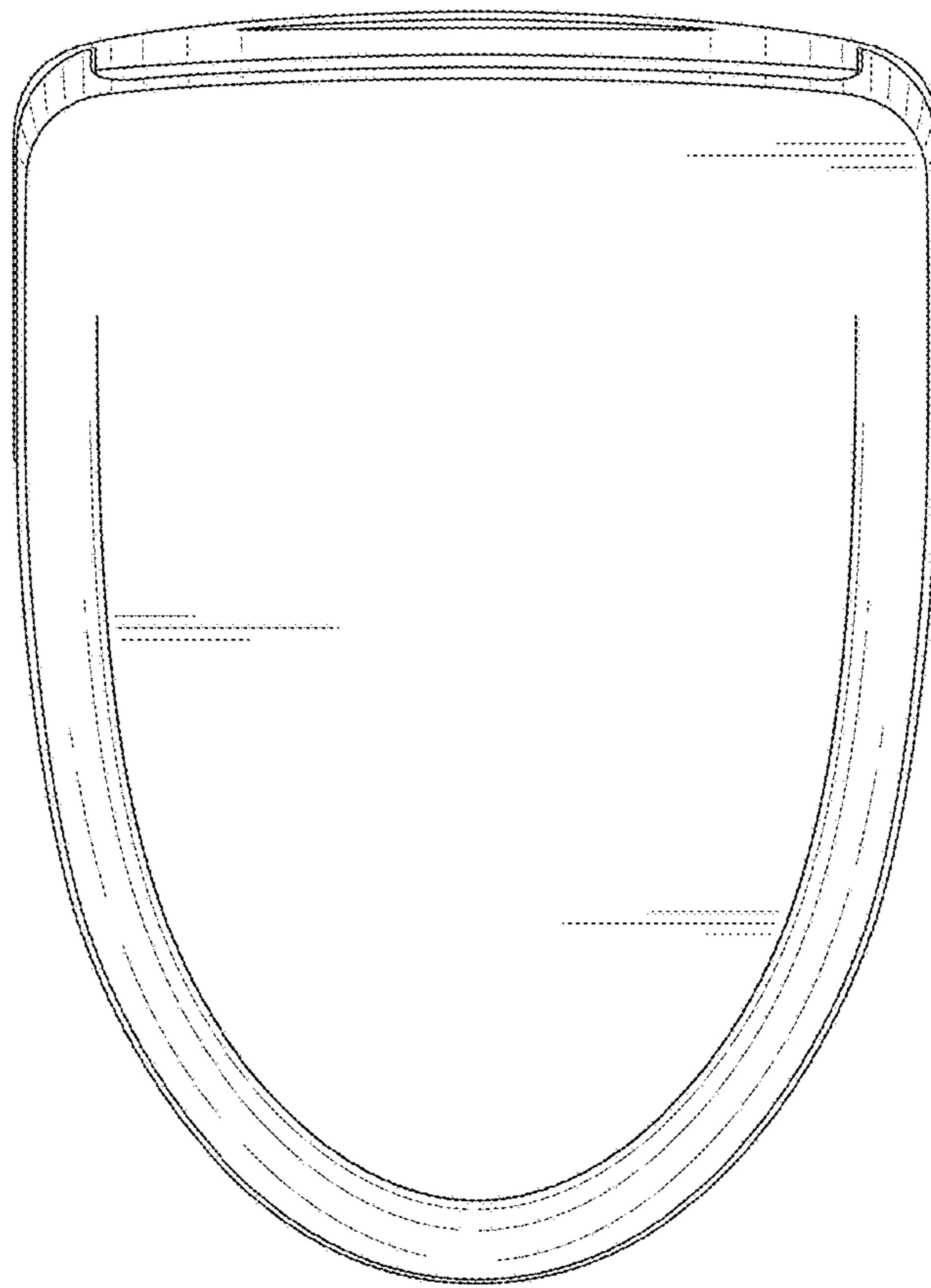


FIG. 6

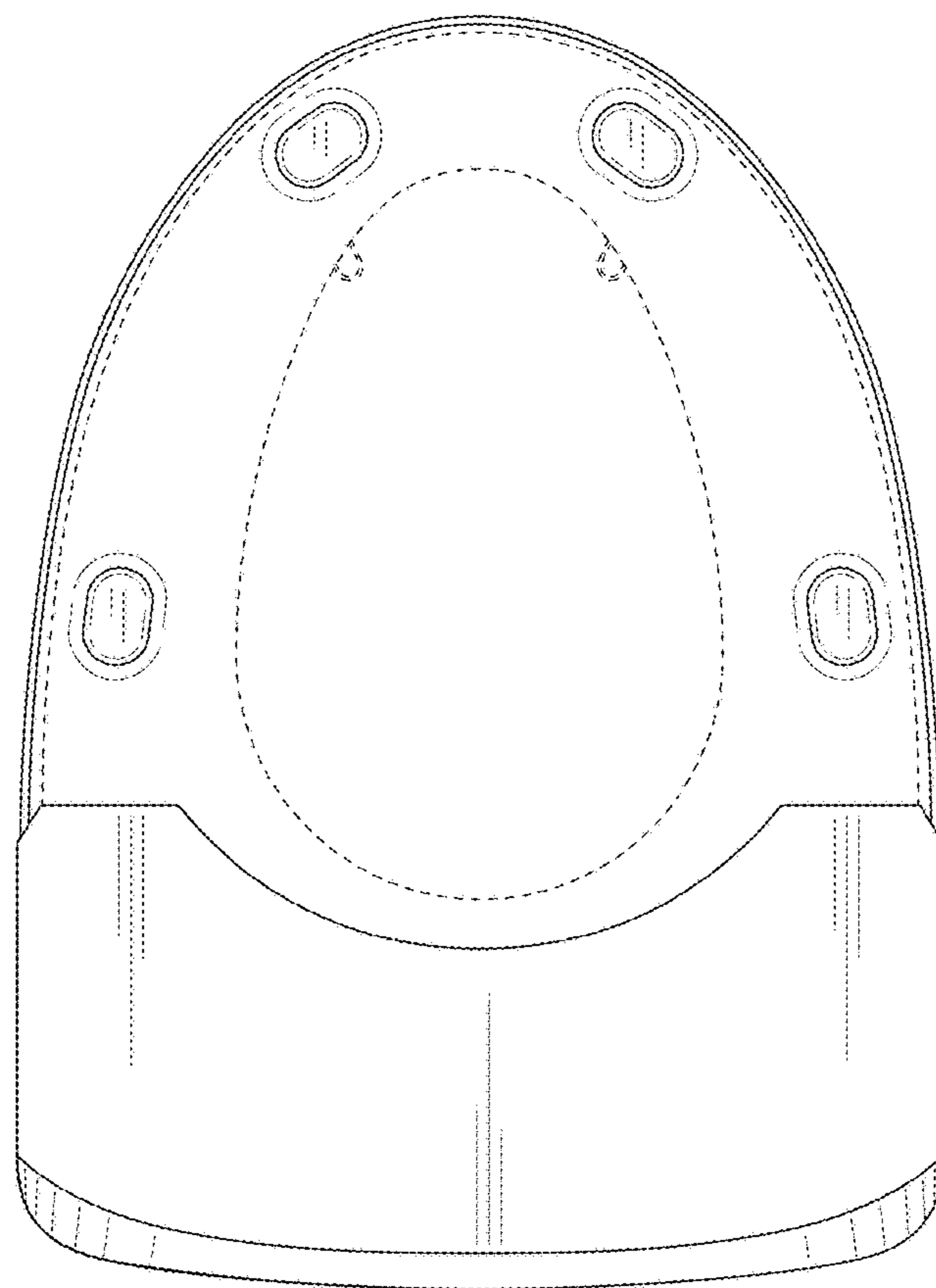


FIG. 7