



US00D844118S

(12) **United States Design Patent**  
**Jeong et al.**

(10) **Patent No.:** **US D844,118 S**

(45) **Date of Patent:** **\*\* Mar. 26, 2019**

(54) **TOILET BOWL INCORPORATING BIDET**

(71) Applicant: **IS DONGSEO CO., LTD.**, Seoul (KR)

(72) Inventors: **Ji Cheol Jeong**, Gwangju-si (KR); **Dal Won Yi**, Seoul (KR)

(73) Assignee: **IS DONGSEO CO., LTD.**, Seoul (KR)

(\*\*) Term: **15 Years**

(21) Appl. No.: **29/635,295**

(22) Filed: **Jan. 30, 2018**

(30) **Foreign Application Priority Data**

Jan. 4, 2018 (KR) ..... 30-2018-0000580

(51) **LOC (11) Cl.** ..... **23-02**

(52) **U.S. Cl.**  
USPC ..... **D23/295**

(58) **Field of Classification Search**  
USPC ..... D23/295, 299-300, 303, 309, 313  
CPC ..... A47K 11/00; A47K 13/00; A47K 11/02;  
Y10S 4/05

See application file for complete search history.

(56) **References Cited**

U.S. PATENT DOCUMENTS

D704,316 S *	5/2014	Ishikawa .....	D23/295
D732,150 S *	6/2015	Jung .....	D23/295
D764,643 S *	8/2016	Nakabayashi .....	D23/311
D810,898 S *	2/2018	Tsuduki .....	D23/295

\* cited by examiner

*Primary Examiner* — Robert A Delehanty

(74) *Attorney, Agent, or Firm* — Cantor Colburn LLP

(57) **CLAIM**

The ornamental design for a toilet bowl incorporating bidet, as shown and described.

**DESCRIPTION**

FIG. 1 is a perspective view of a toilet bowl incorporating bidet showing our new design;  
FIG. 2 is a front elevational view thereof;  
FIG. 3 is a rear elevational view thereof;  
FIG. 4 is a left side elevational view thereof;  
FIG. 5 is a right side elevational view thereof;  
FIG. 6 is a top plan view thereof; and,  
FIG. 7 is a bottom plan view thereof.

**1 Claim, 7 Drawing Sheets**

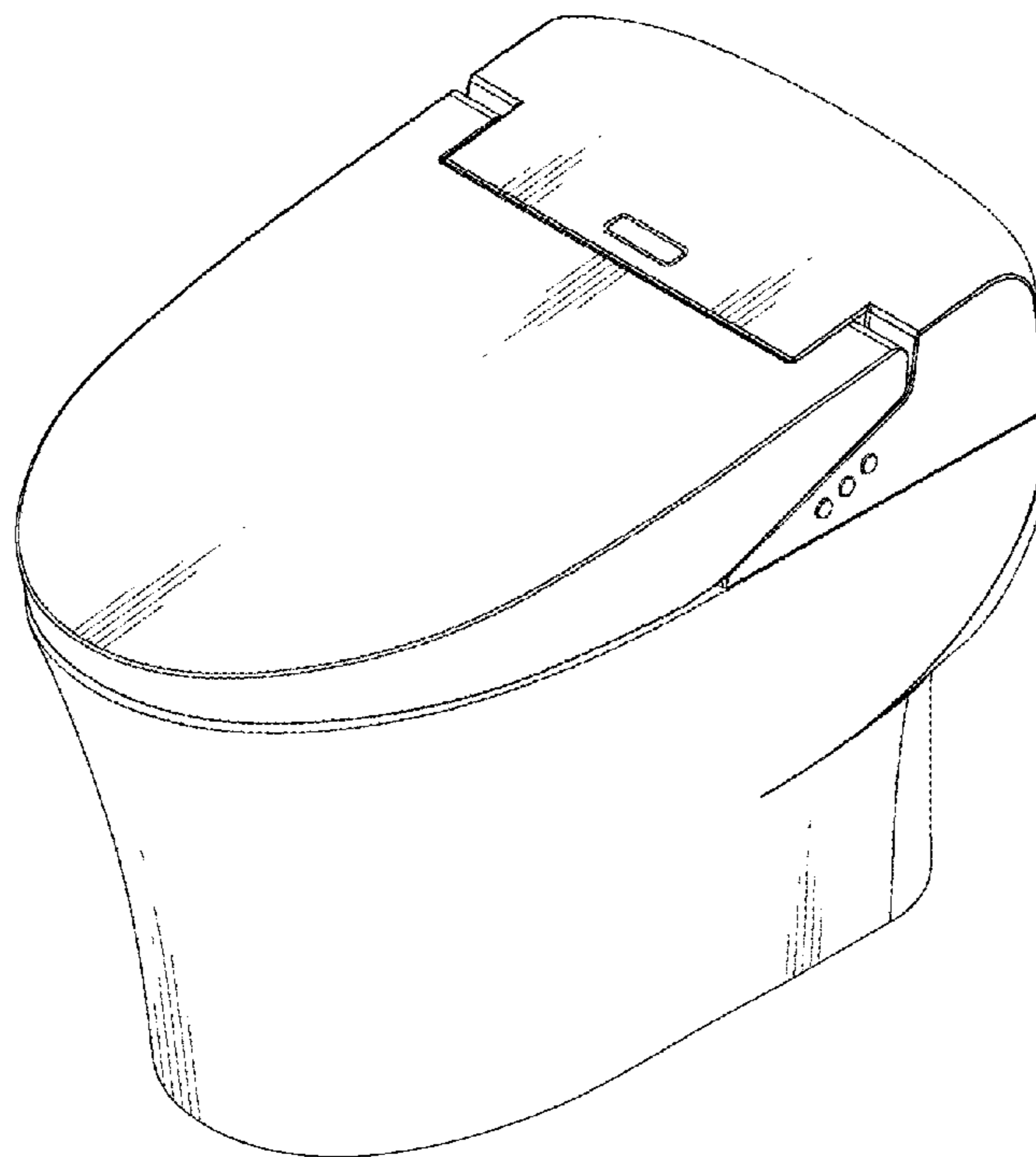


FIG. 1

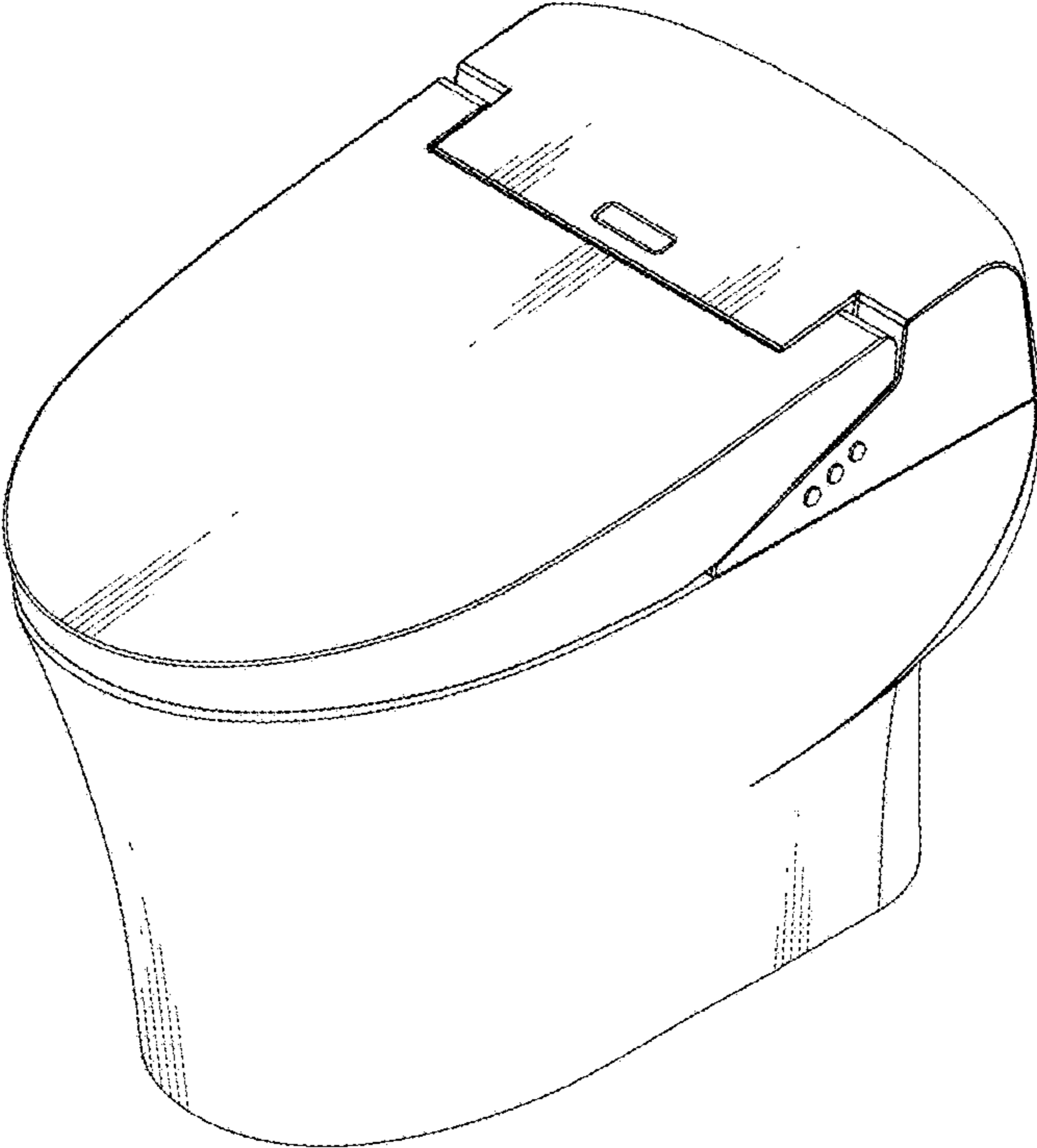


FIG. 2

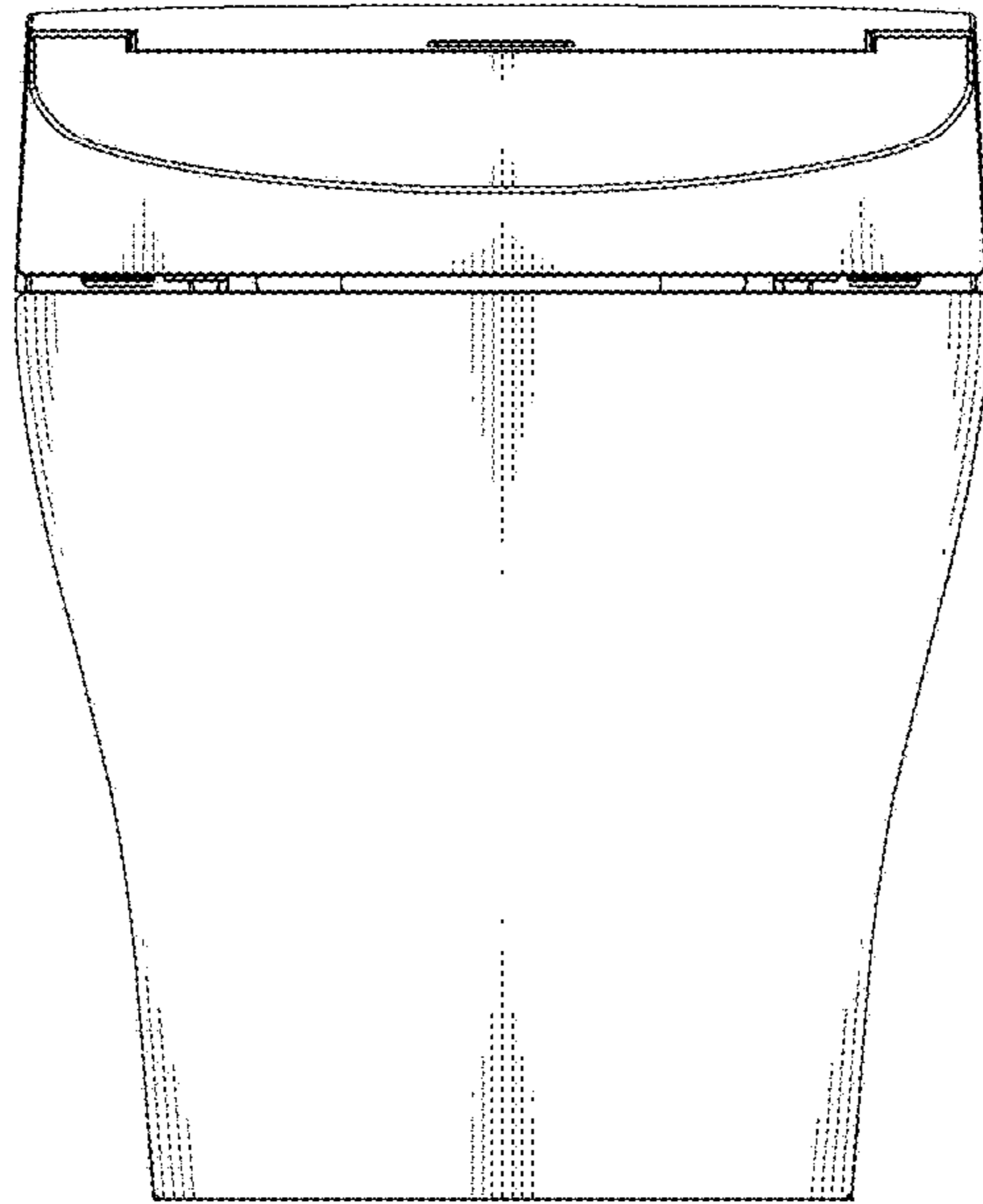


FIG. 3

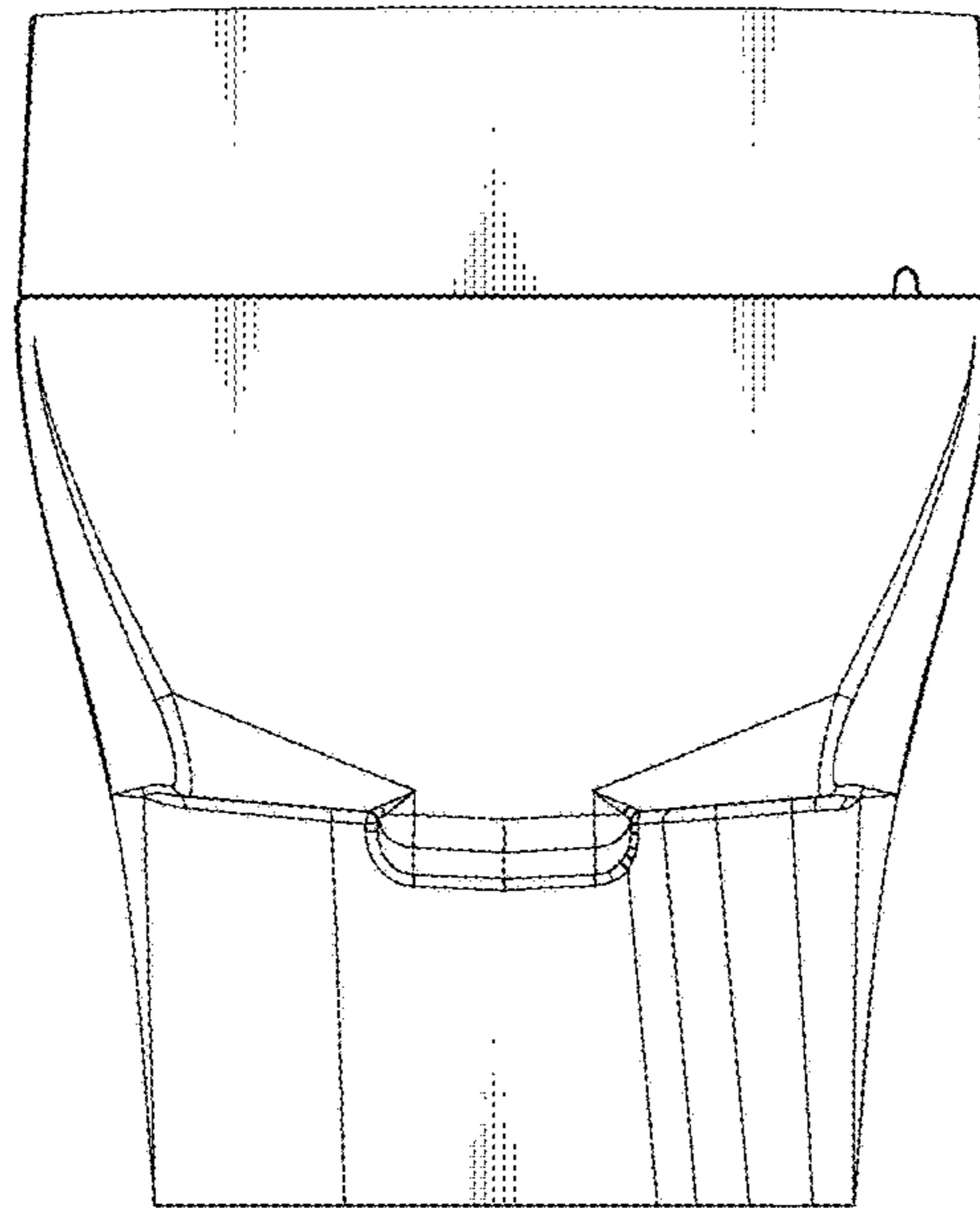


FIG. 4

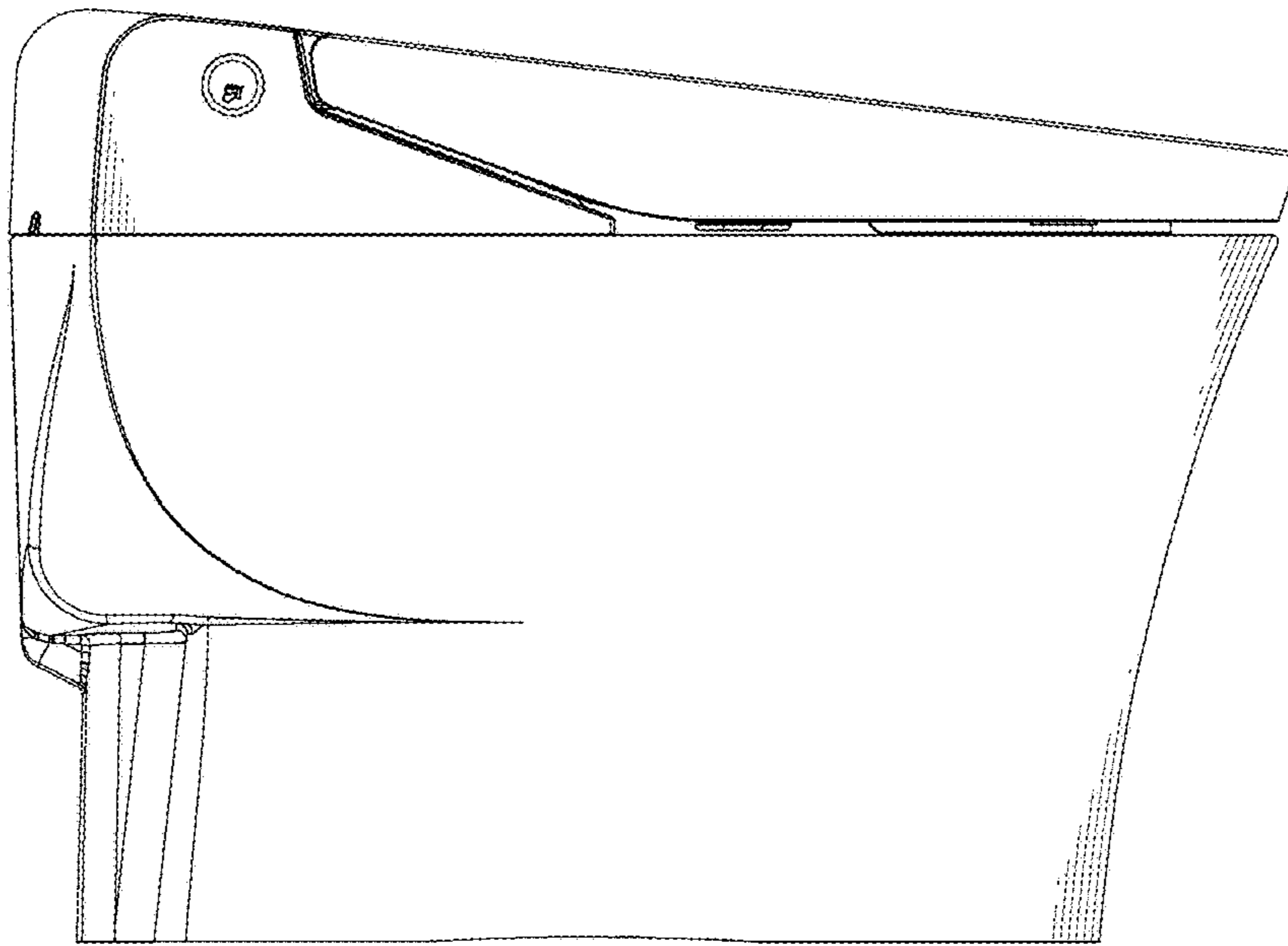


FIG. 5

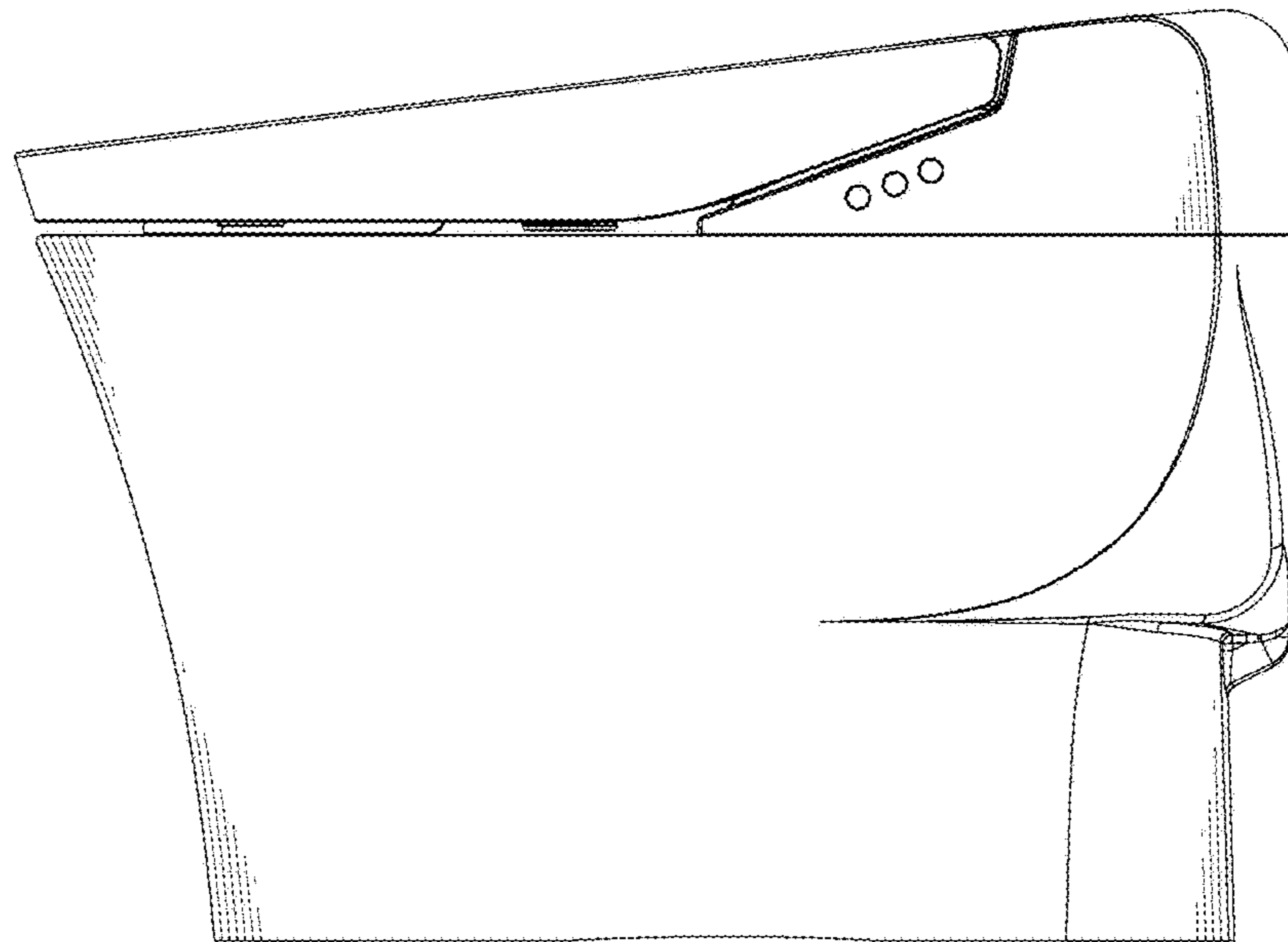


FIG. 6

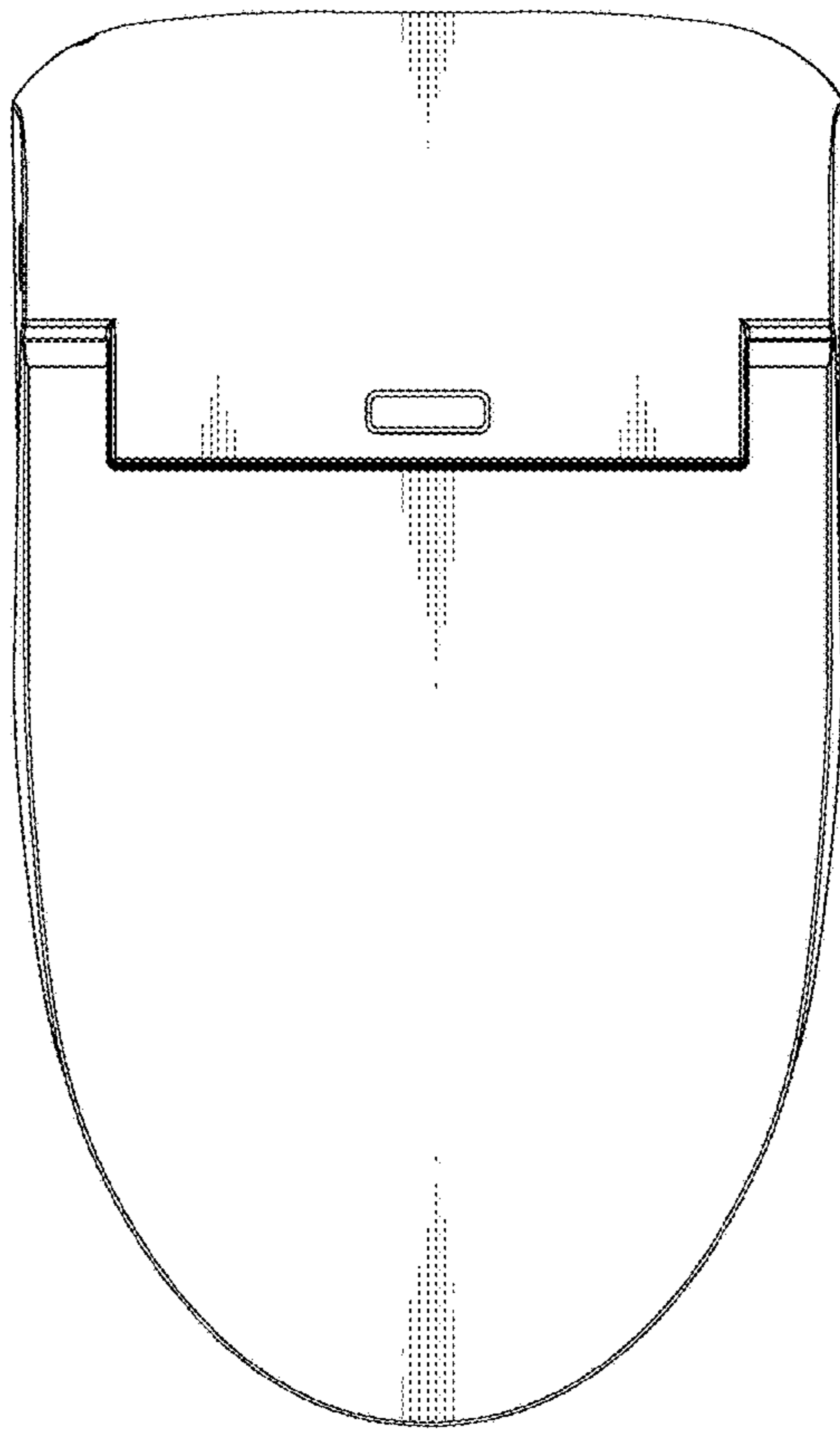


FIG. 7

