

US00D844116S

(12) **United States Design Patent**
Villarreal et al.

(10) **Patent No.:** **US D844,116 S**
(45) **Date of Patent:** **** Mar. 26, 2019**

(54) **PREFORM FOR DRAIN INSTALLATION**

(71) Applicant: **COFLEX S.A. DE C.V.**, Monterrey (MX)

(72) Inventors: **Humberto Flores Villarreal**, San Pedro Garza Garcia (MX); **Eduardo Coronado**, San Pedro Garza Garcia (MX)

(73) Assignee: **Coflex S.A. de C.V.**, Monterrey (MX)

(**) Term: **15 Years**

(21) Appl. No.: **29/594,612**

(22) Filed: **Feb. 21, 2017**

(30) **Foreign Application Priority Data**

Dec. 6, 2016 (MX) MX/f/2016/003927

(51) **LOC (11) Cl.** **23-01**

(52) **U.S. Cl.**
USPC **D23/259**

(58) **Field of Classification Search**
USPC D23/259, 261, 268, 267; 4/292–293, 4/650, 673, 680–682; 137/493; 210/162, 210/154

CPC E03F 5/401; E03F 5/407; E03F 2005/0416
See application file for complete search history.

(56) **References Cited**

U.S. PATENT DOCUMENTS

4,146,939 A * 4/1979 Izzi E03F 5/0409
4/286
5,458,769 A * 10/1995 Johannessen E03F 5/0407
210/163

D421,101 S * 2/2000 Barnett D23/261
D421,102 S * 2/2000 Barnett D23/261
D421,295 S * 2/2000 Barnett D23/261
6,108,828 A * 8/2000 Cheng A47K 1/14
4/286
D523,537 S * 6/2006 Howard D23/261
D576,257 S * 9/2008 Rattenbury D23/260
D602,575 S * 10/2009 Breda D23/261
D655,399 S * 3/2012 Rodriguez D23/261
8,833,387 B2 * 9/2014 Lucas E03F 5/0407
137/362
9,739,045 B1 * 8/2017 Jones A47K 3/00
9,775,472 B1 * 10/2017 Herring A47K 3/40

* cited by examiner

Primary Examiner — Eric L Goodman

Assistant Examiner — Amy C Wierenga

(74) *Attorney, Agent, or Firm* — Baker & McKenzie LLP

(57) **CLAIM**

The ornamental design for a preform for drain installation, as shown and described.

DESCRIPTION

FIG. 1 is a perspective view of a preform for drain installation in accordance with our design;

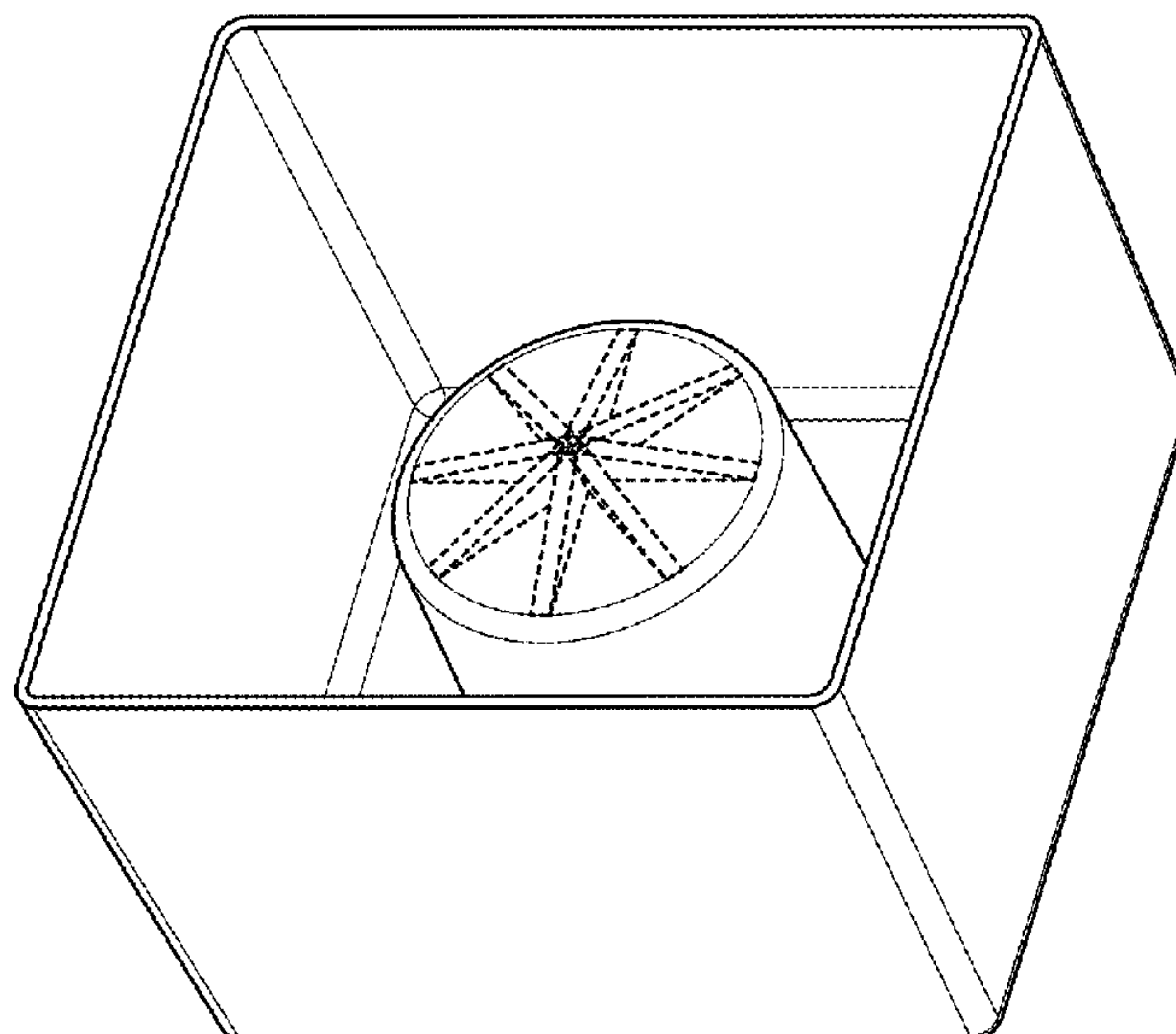
FIG. 2 is a top view of the preform for drain installation shown in FIG. 1;

FIG. 3 is a bottom view of the preform for drain installation shown in FIG. 1; and,

FIG. 4 is a side view of the preform for drain installation shown in FIG. 1.

The dashed broken lines in the drawings depict portions of the preform for drain installation that form no part of the claim.

1 Claim, 4 Drawing Sheets



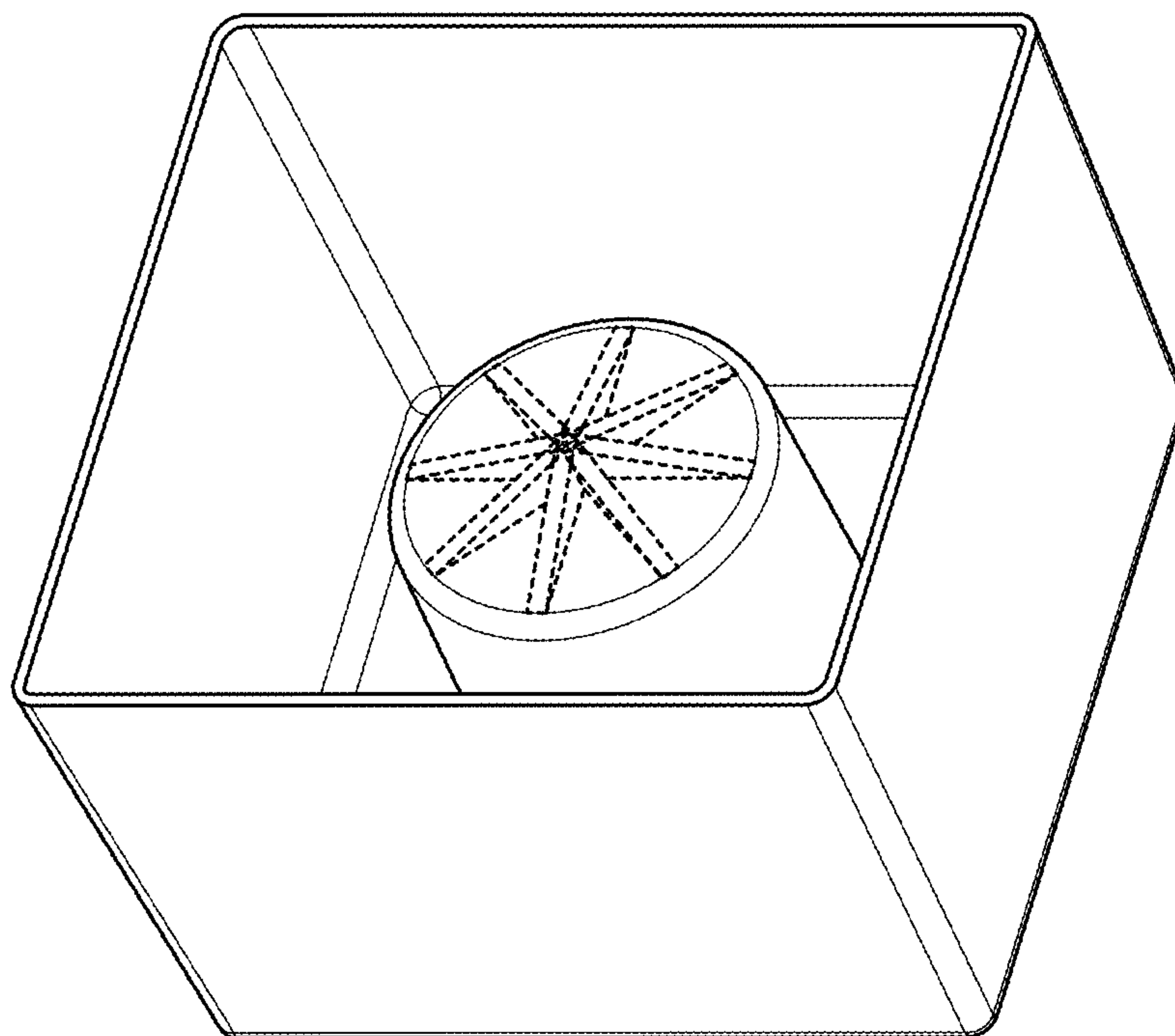


FIG. 1

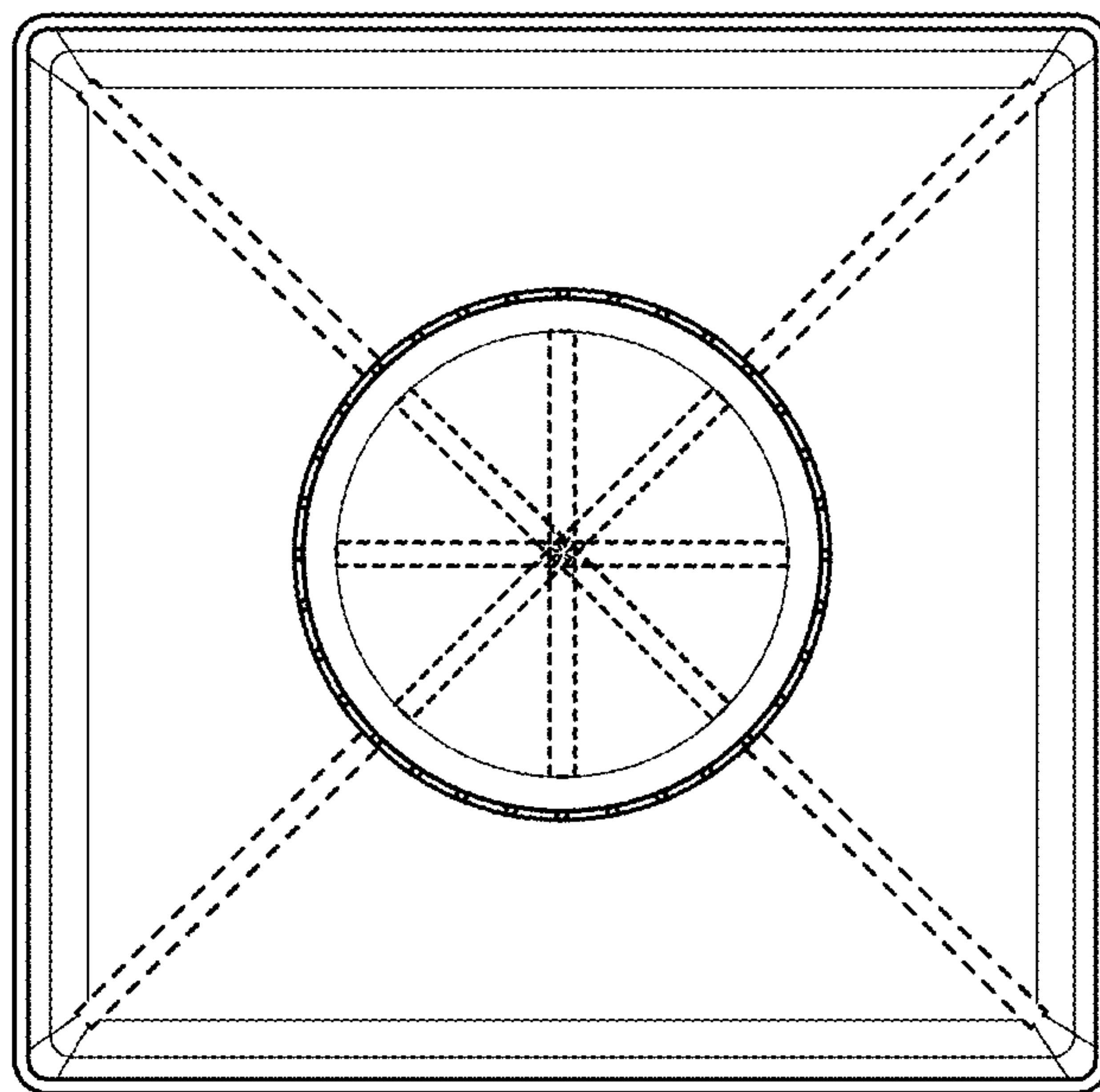


FIG. 2

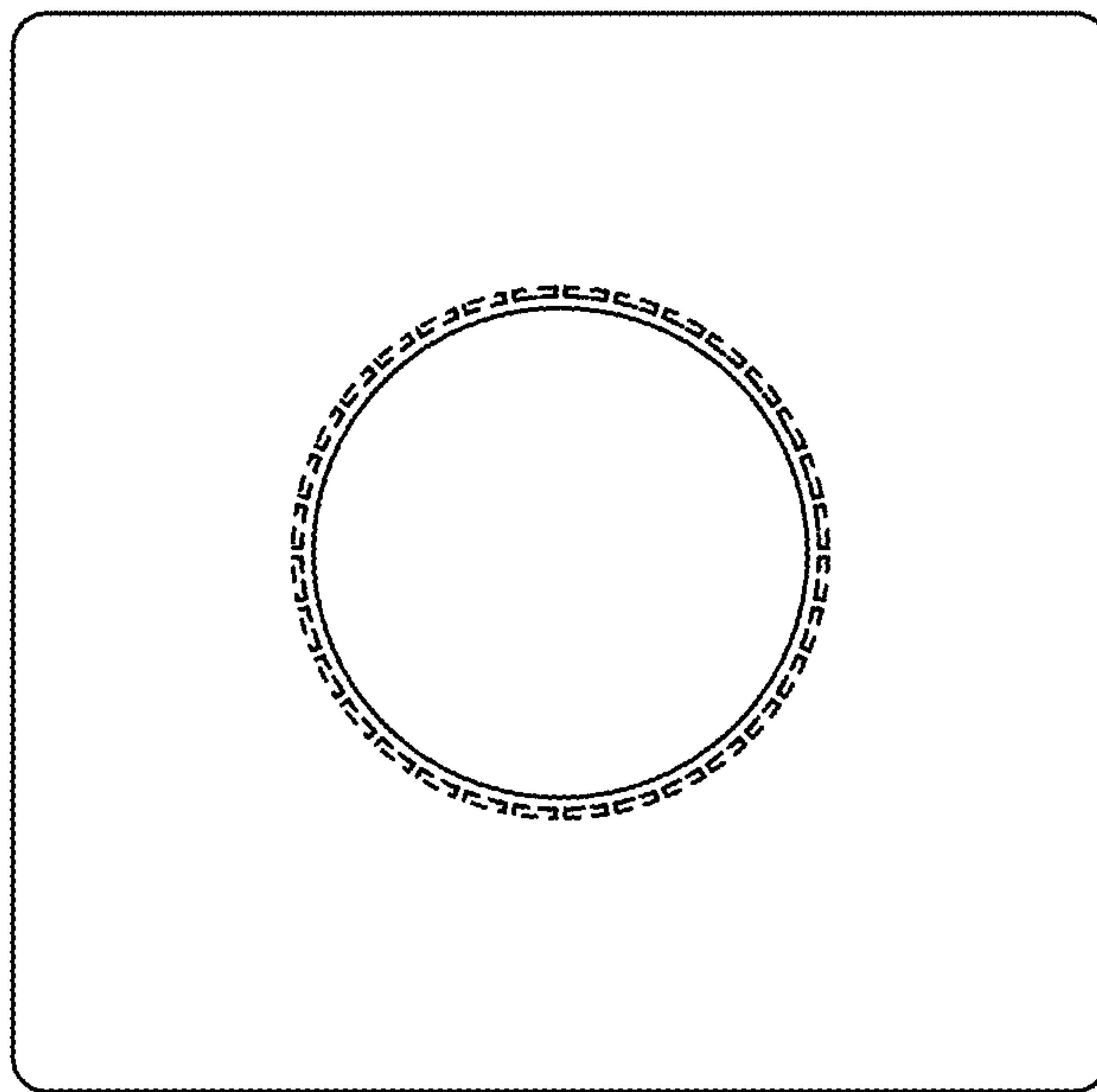


FIG. 3

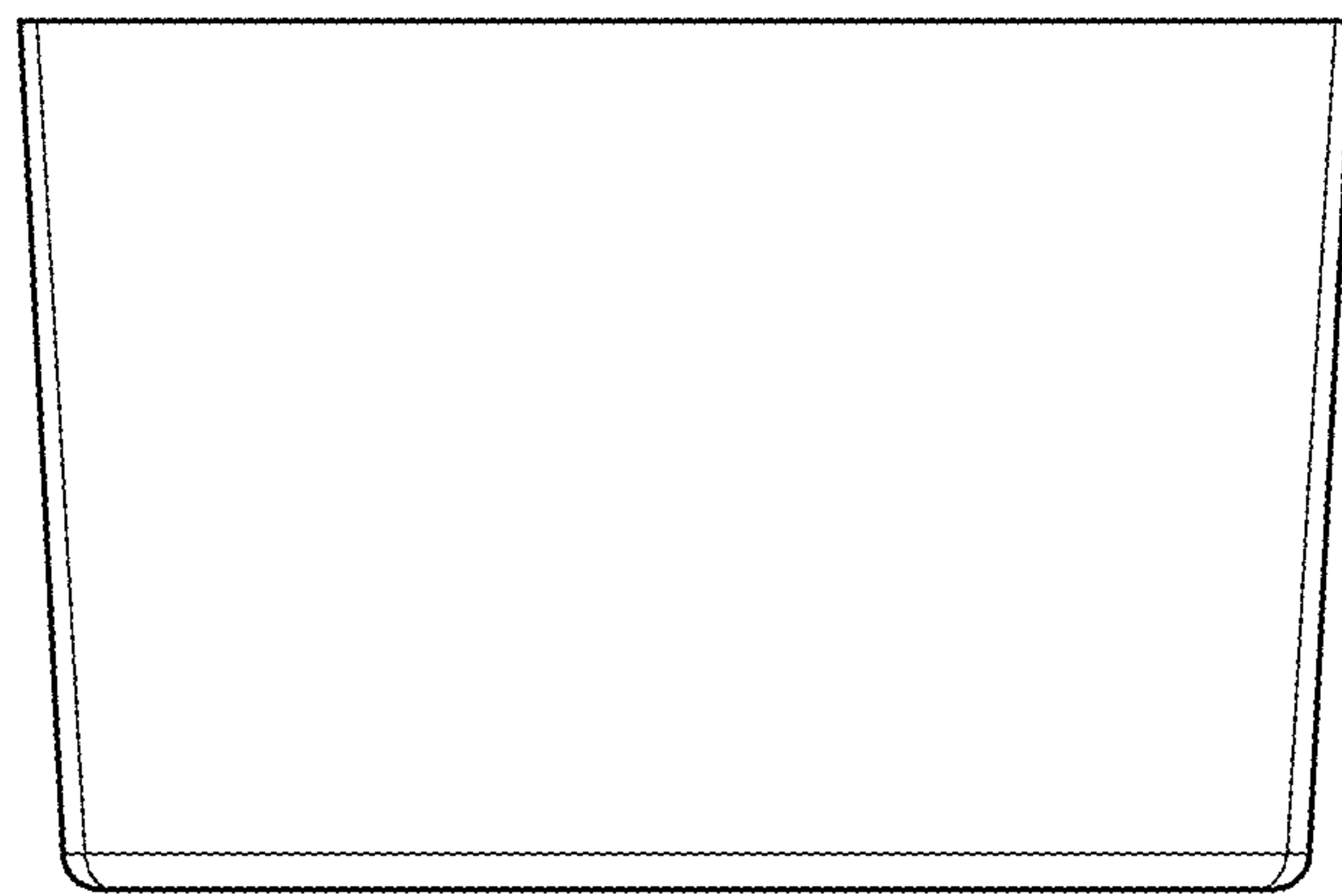


FIG. 4