



US00D844115S

(12) **United States Design Patent**
Burton

(10) **Patent No.:** **US D844,115 S**

(45) **Date of Patent:** **** Mar. 26, 2019**

(54) **FAUCET**

(71) Applicant: **Mark Burton**, Lebanon, OH (US)

(72) Inventor: **Mark Burton**, Lebanon, OH (US)

(**) Term: **15 Years**

(21) Appl. No.: **29/601,952**

(22) Filed: **Apr. 27, 2017**

(51) **LOC (11) Cl.** **23-01**

(52) **U.S. Cl.**
USPC **D23/256; D23/251**

(58) **Field of Classification Search**
USPC D23/238–243, 249–252, 254–257, 234,
D23/245; D8/307–308; D21/483
CPC E03C 1/0412; Y10T 137/9464
See application file for complete search history.

(56) **References Cited**

U.S. PATENT DOCUMENTS

D216,791 S	*	3/1970	Woodford	D23/234
D235,643 S	*	7/1975	Zimmerman	D23/245
D304,070 S	*	10/1989	Hughes	D23/245
D314,227 S	*	1/1991	Christ	D23/215
D328,620 S	*	8/1992	Maple	D21/483

D434,110 S	*	11/2000	Kim	D23/236
D489,432 S	*	5/2004	Lammel	D23/238
D631,134 S	*	1/2011	German	D23/234
D690,401 S	*	9/2013	Ritchel	D23/256
D803,986 S	*	11/2017	Schoenherr	D23/238

* cited by examiner

Primary Examiner — Robert A Delehanty

(74) *Attorney, Agent, or Firm* — Wood Herron & Evans LLP

(57) **CLAIM**

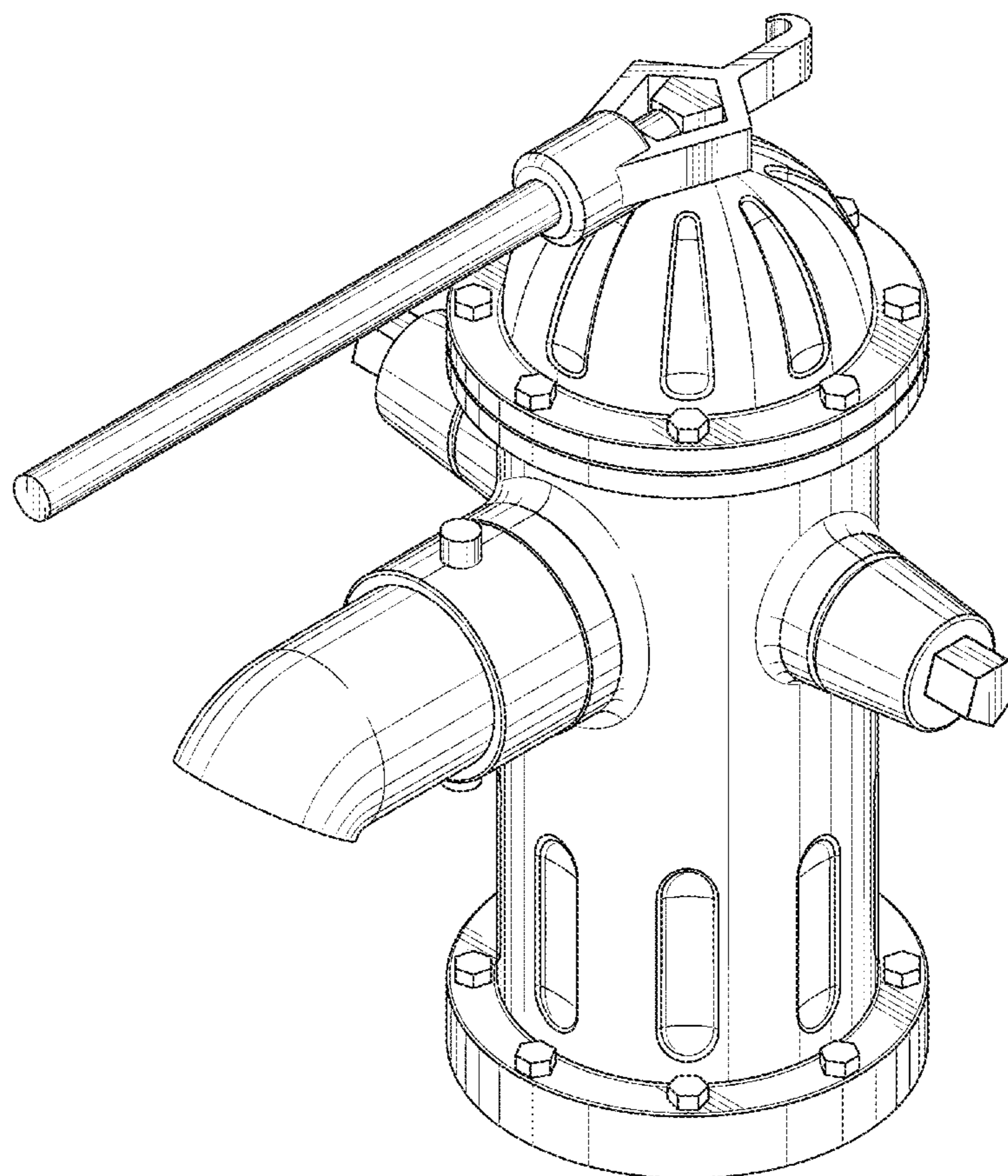
The ornamental design for a faucet, as shown and described.

DESCRIPTION

FIG. 1 is a front top isometric view of a first embodiment of my new faucet design;
FIG. 2 is a front elevation view thereof;
FIG. 3 is a left-side elevation view thereof;
FIG. 4 is a rear elevation view thereof;
FIG. 5 is a right-side elevation view thereof;
FIG. 6 is a top plan view thereof; and,
FIG. 7 is a bottom view thereof.

The broken dash lines shown in the drawing views represent non-claimed subject matter and form no part of the claimed design.

1 Claim, 7 Drawing Sheets



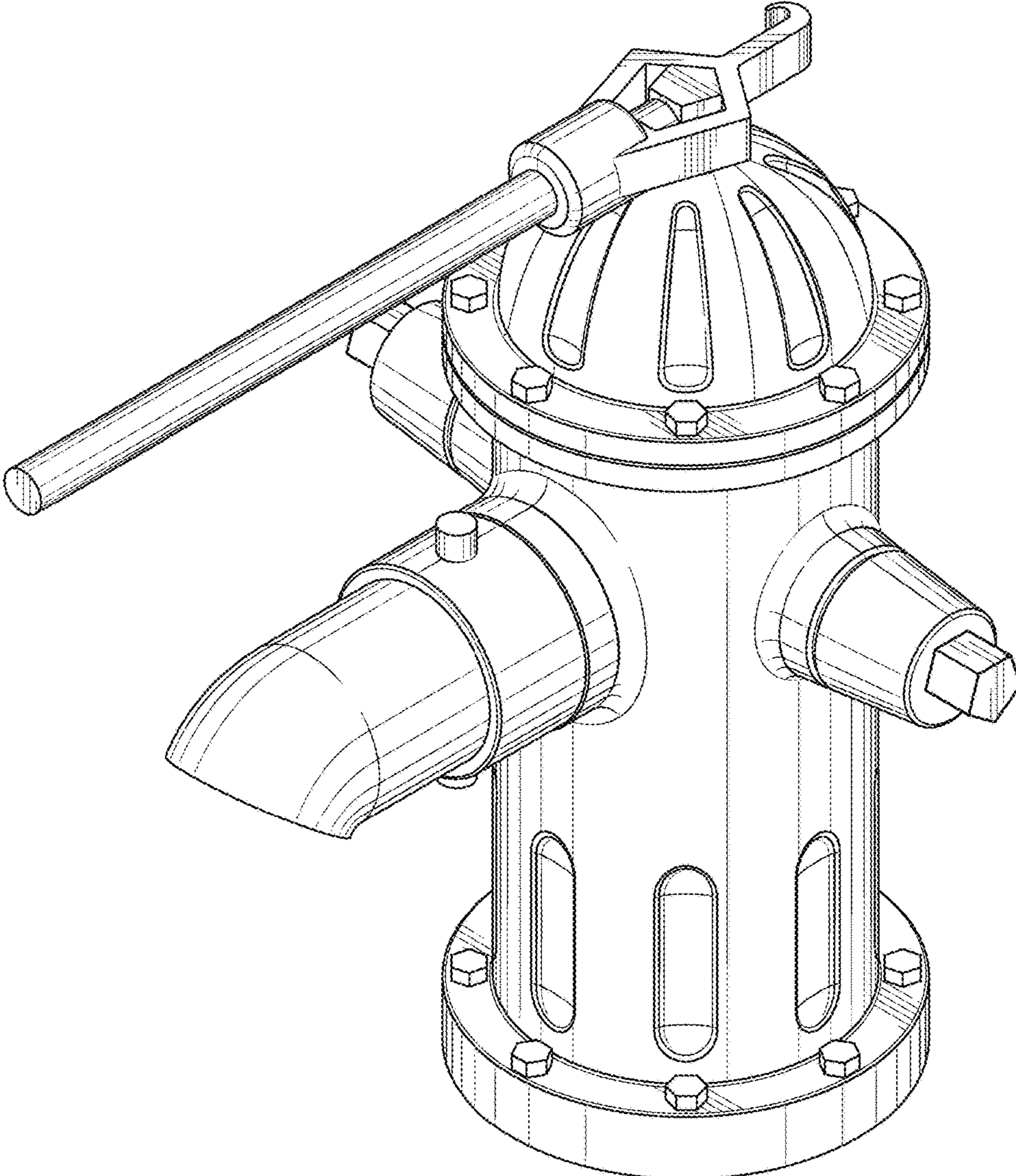


FIG. 1

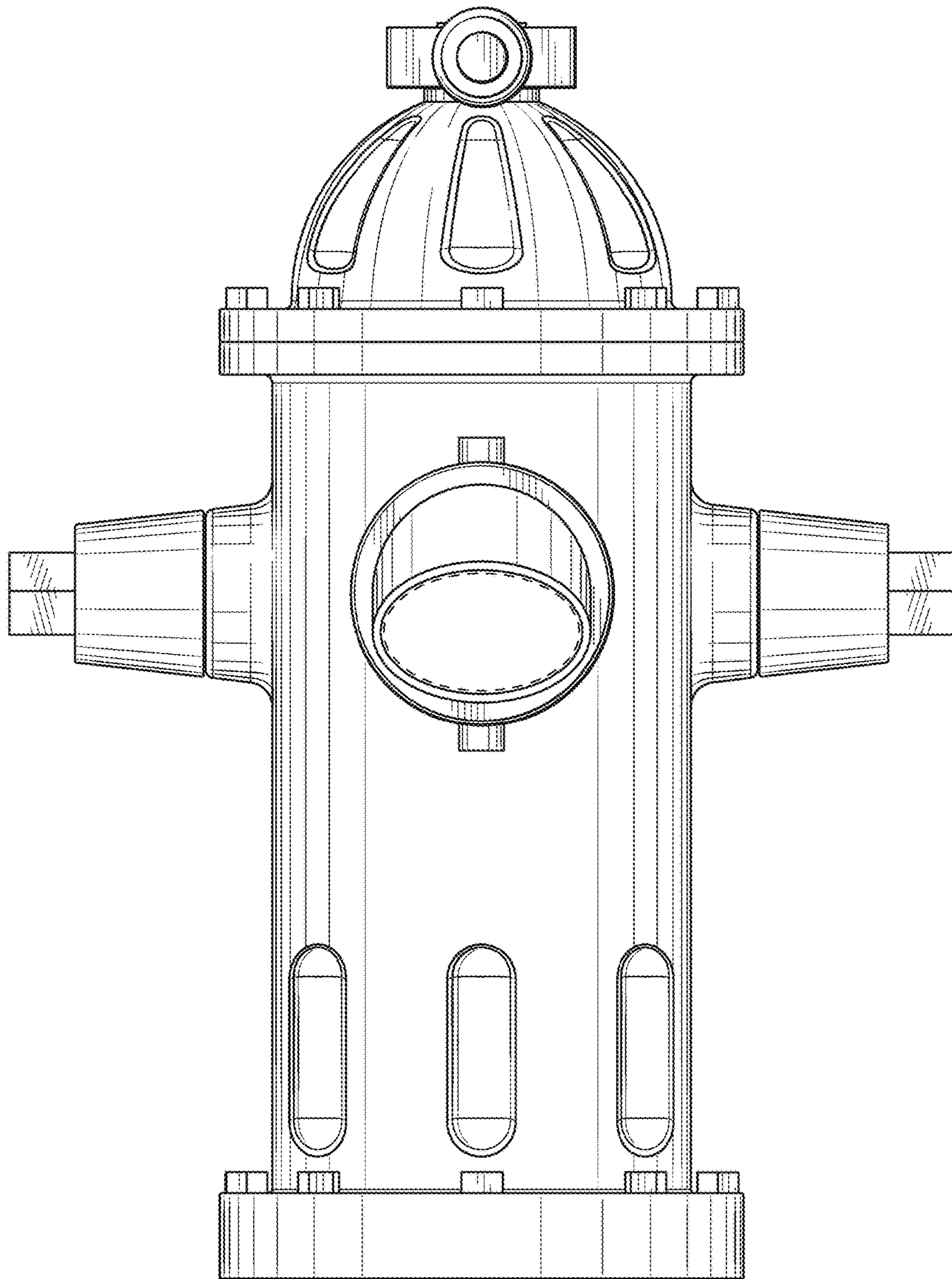


FIG. 2

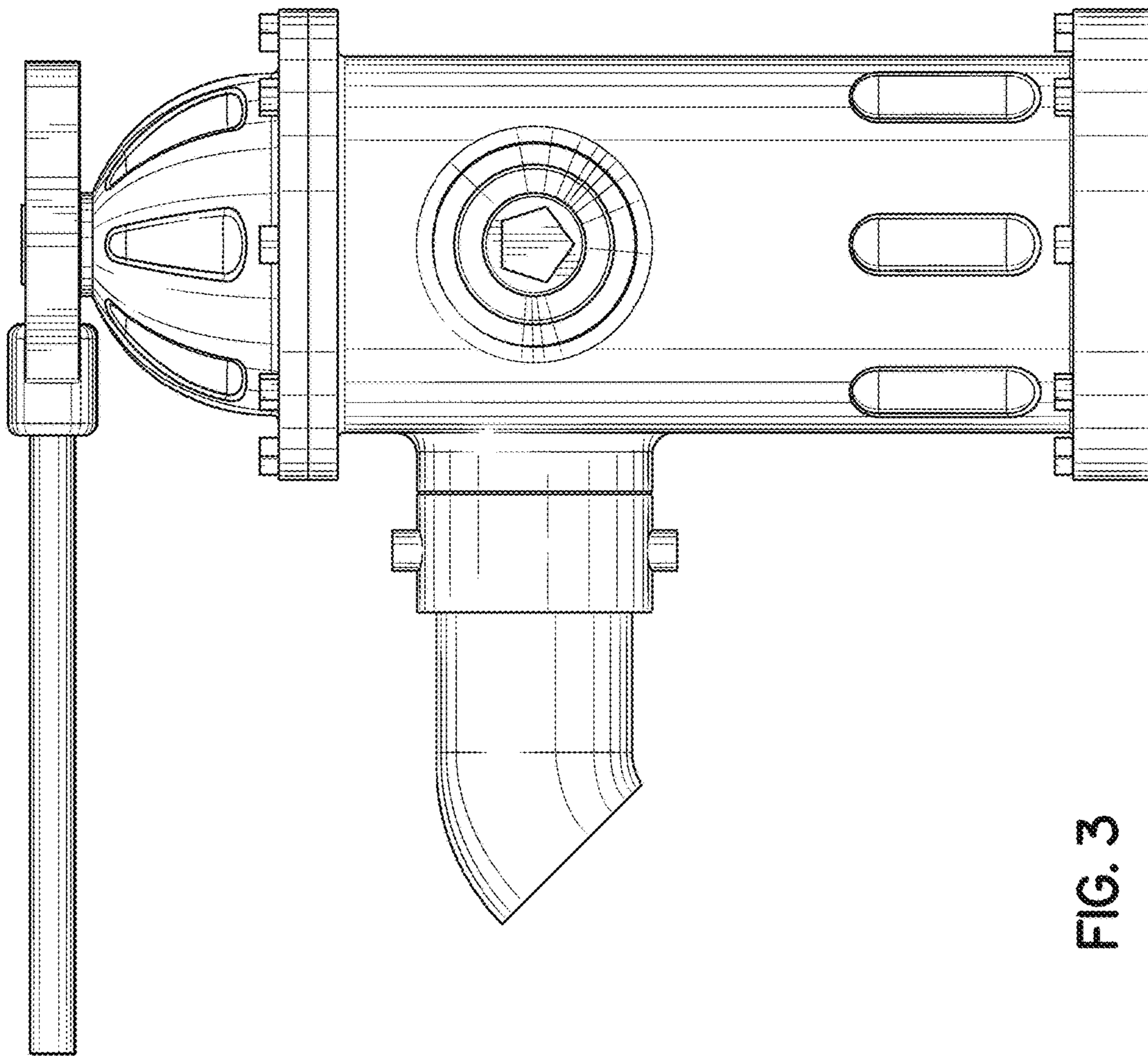


FIG. 3

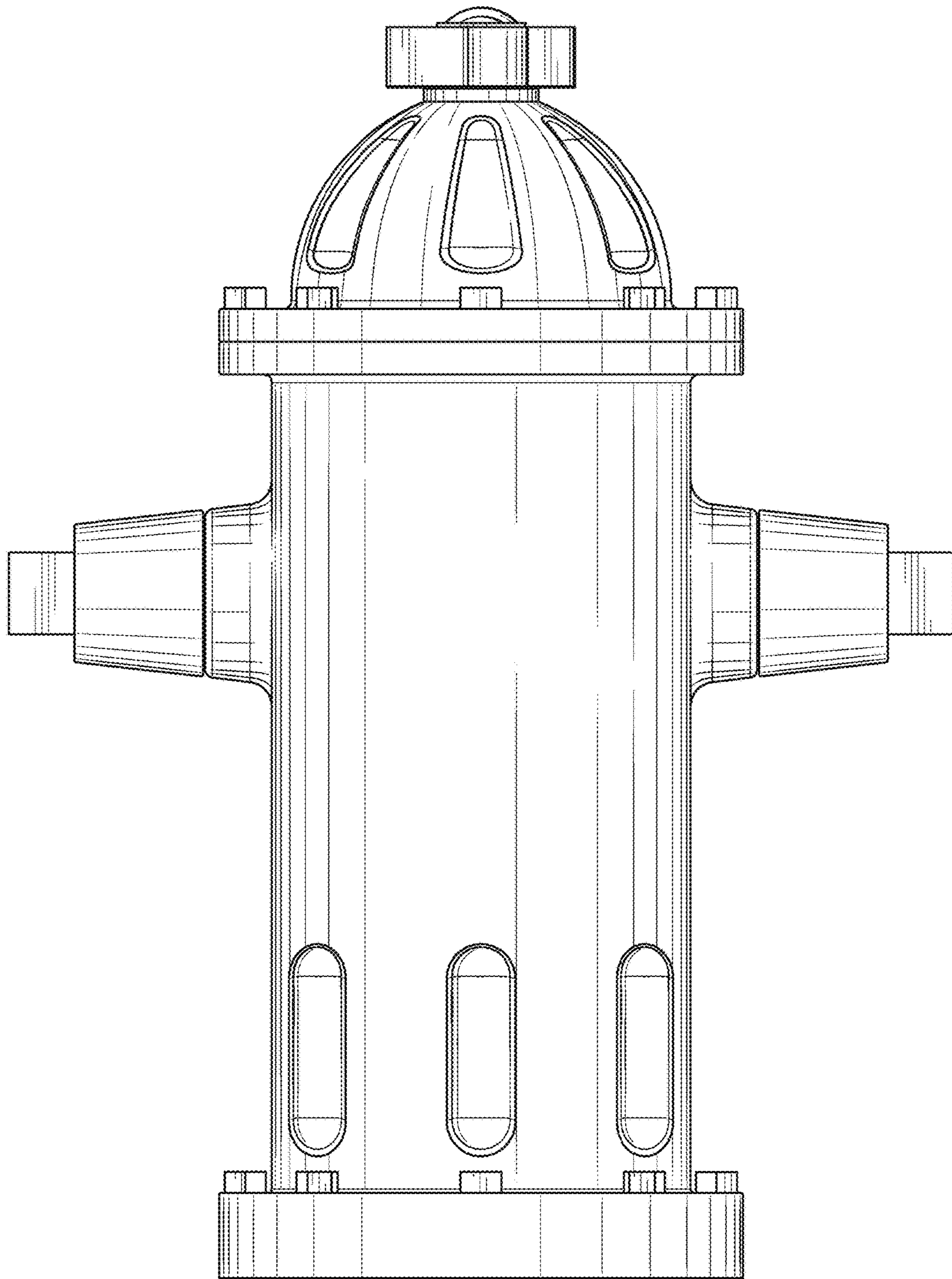


FIG. 4

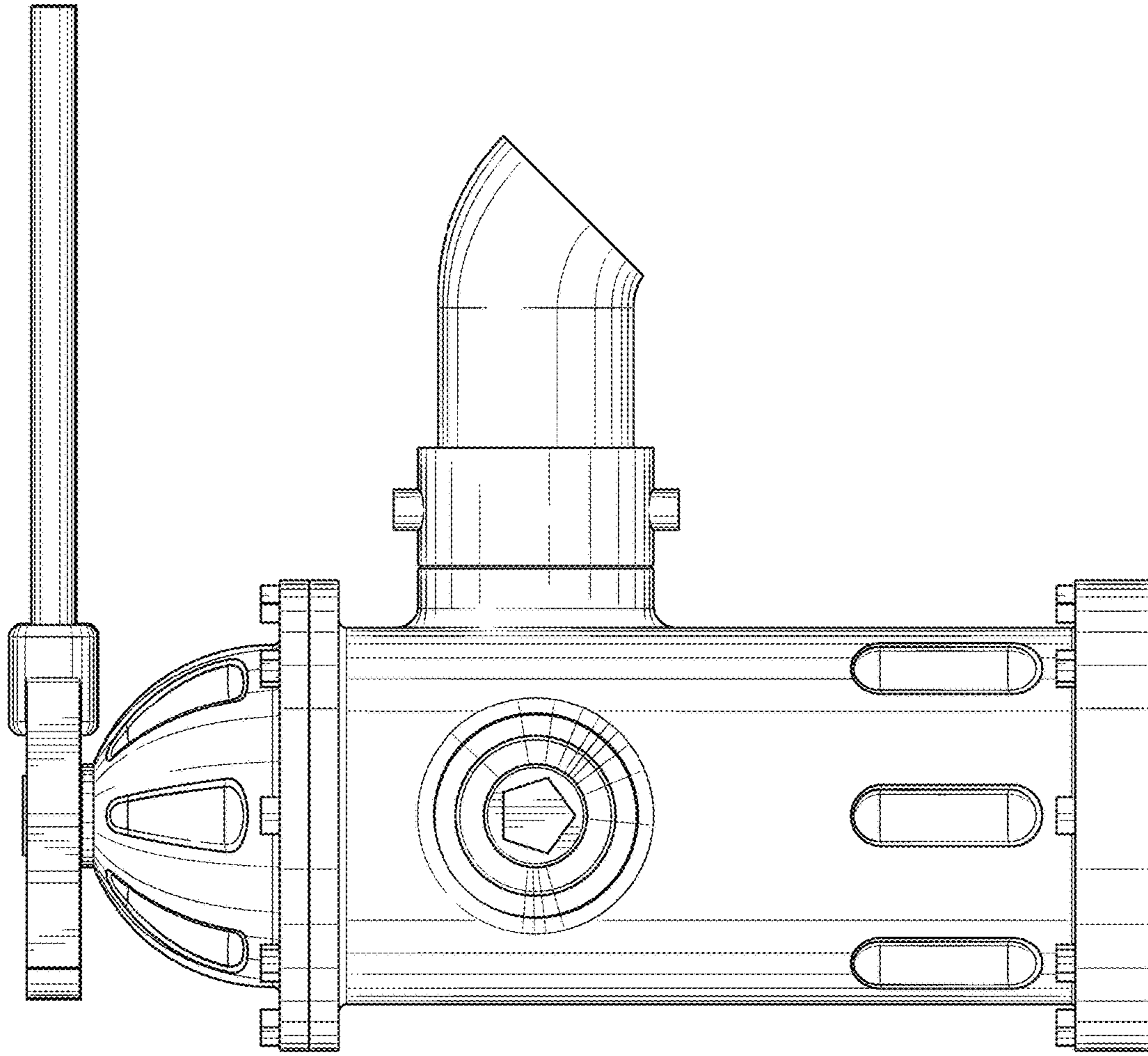


FIG. 5

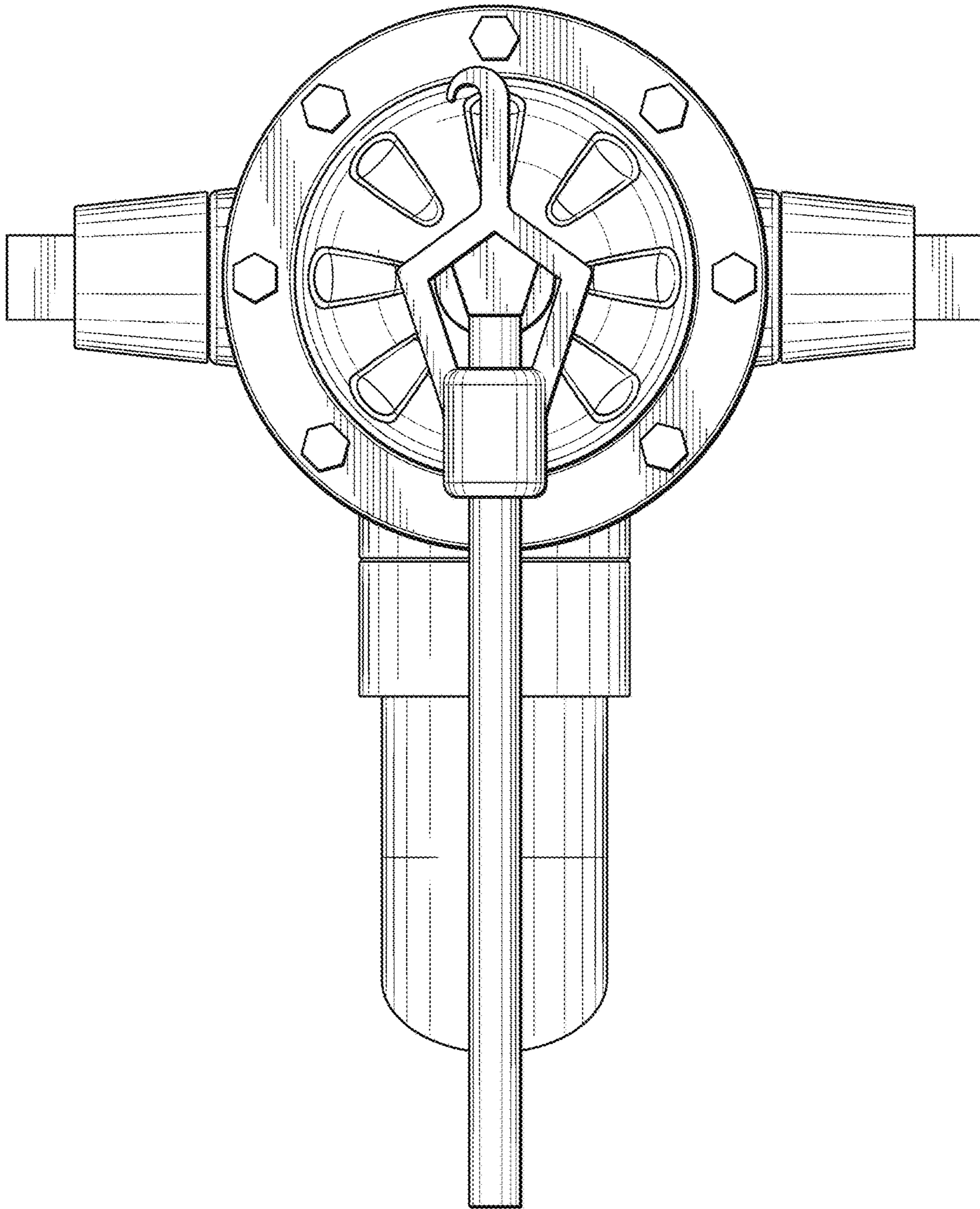


FIG. 6

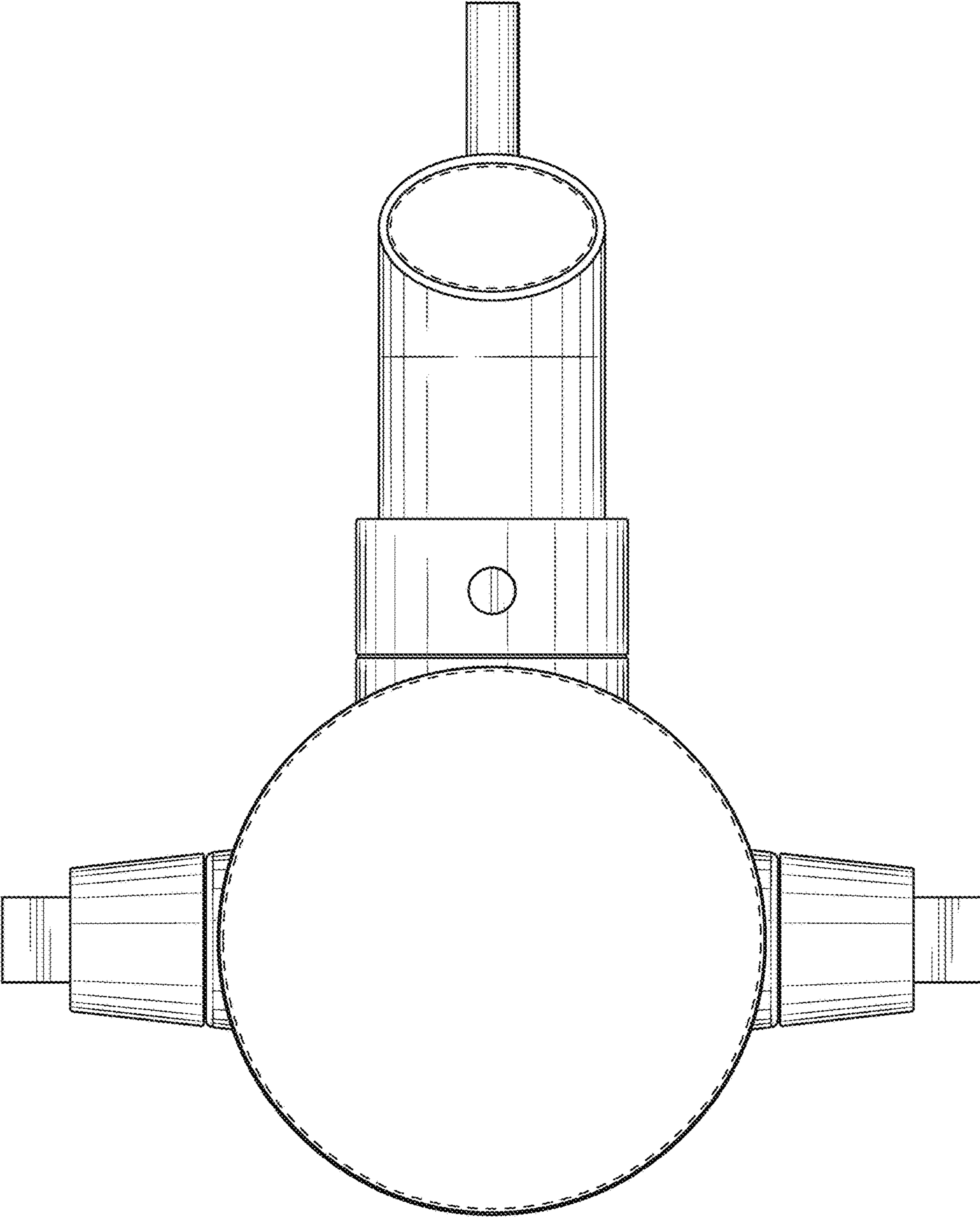


FIG. 7