



US00D844114S

(12) **United States Design Patent**  
**Chen**

(10) **Patent No.:** **US D844,114 S**

(45) **Date of Patent:** **\*\* Mar. 26, 2019**

(54) **FAUCET**

D683,428 S \* 5/2013 Kwok ..... D23/238  
D827,106 S \* 8/2018 Rexach ..... D23/255

(71) Applicant: **Hui Chen**, Zhejiang (CN)

\* cited by examiner

(72) Inventor: **Hui Chen**, Zhejiang (CN)

*Primary Examiner* — Robert A Delehanty

(\*\*) Term: **15 Years**

(57) **CLAIM**

(21) Appl. No.: **29/640,491**

The ornamental design for a faucet, as shown and described.

(22) Filed: **Mar. 14, 2018**

**DESCRIPTION**

(51) **LOC (11) Cl.** ..... **23-01**

(52) **U.S. Cl.**  
USPC ..... **D23/255**

(58) **Field of Classification Search**  
USPC ..... D23/238-243, 249, 255, 257; D9/545,  
D9/435; D7/319, 312, 317  
CPC ..... Y10T 137/9464  
See application file for complete search history.

FIG. 1 is a front elevational view of a faucet showing my new design;  
FIG. 2 is a rear elevational view thereof;  
FIG. 3 is a left side view thereof;  
FIG. 4 is a right side view thereof;  
FIG. 5 is a top plan view thereof;  
FIG. 6 is a bottom plan view thereof;  
FIG. 7 is a top, front and left side perspective view thereof;  
and,  
FIG. 8 is a bottom, front and left side perspective view thereof.

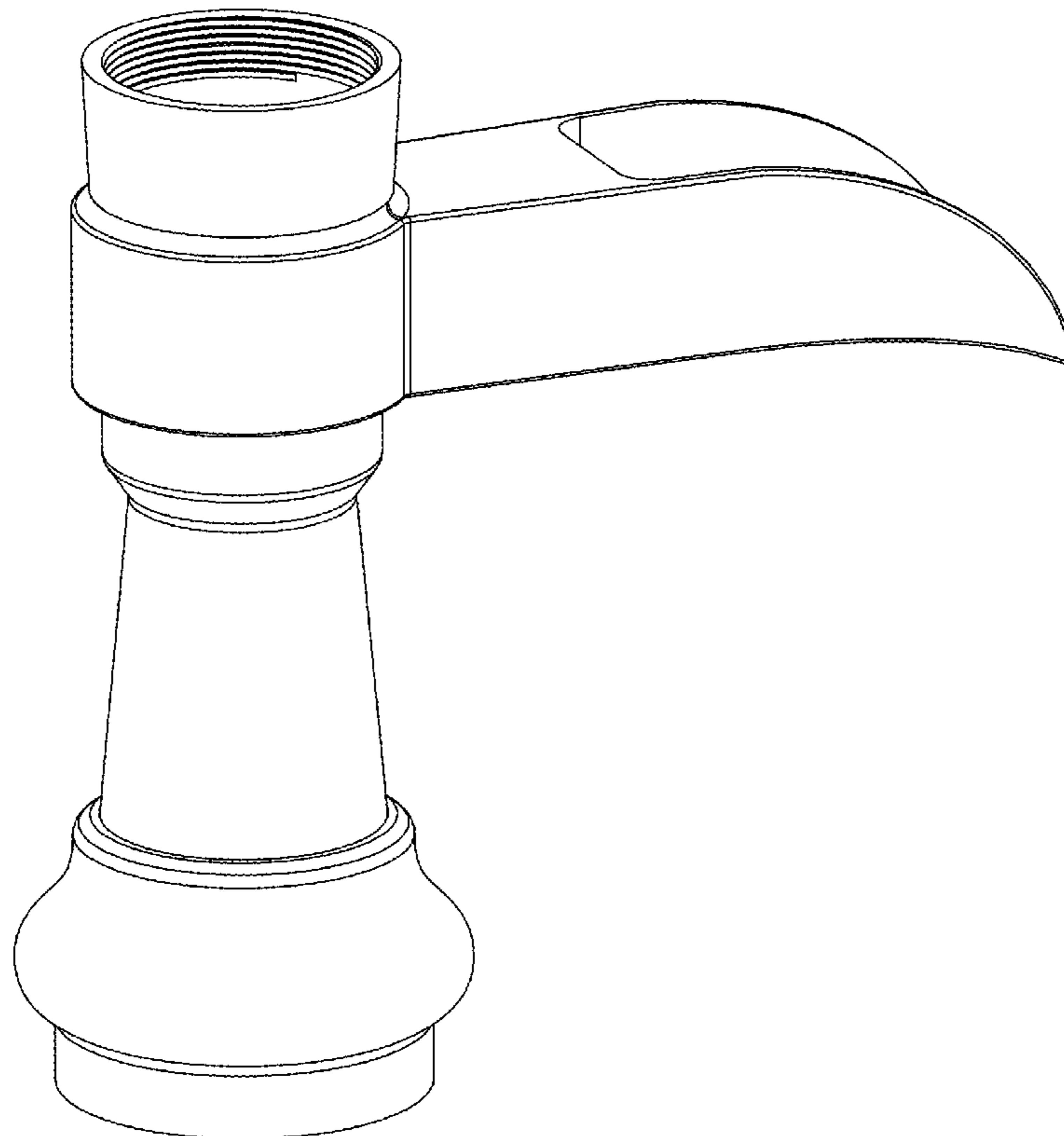
The broken lines in the drawings illustrate portions of the faucet which form no part of the claimed design.

(56) **References Cited**

**U.S. PATENT DOCUMENTS**

D63,889 S \* 2/1924 Feck ..... D7/319  
D583,438 S \* 12/2008 Spangler ..... D23/238

**1 Claim, 8 Drawing Sheets**



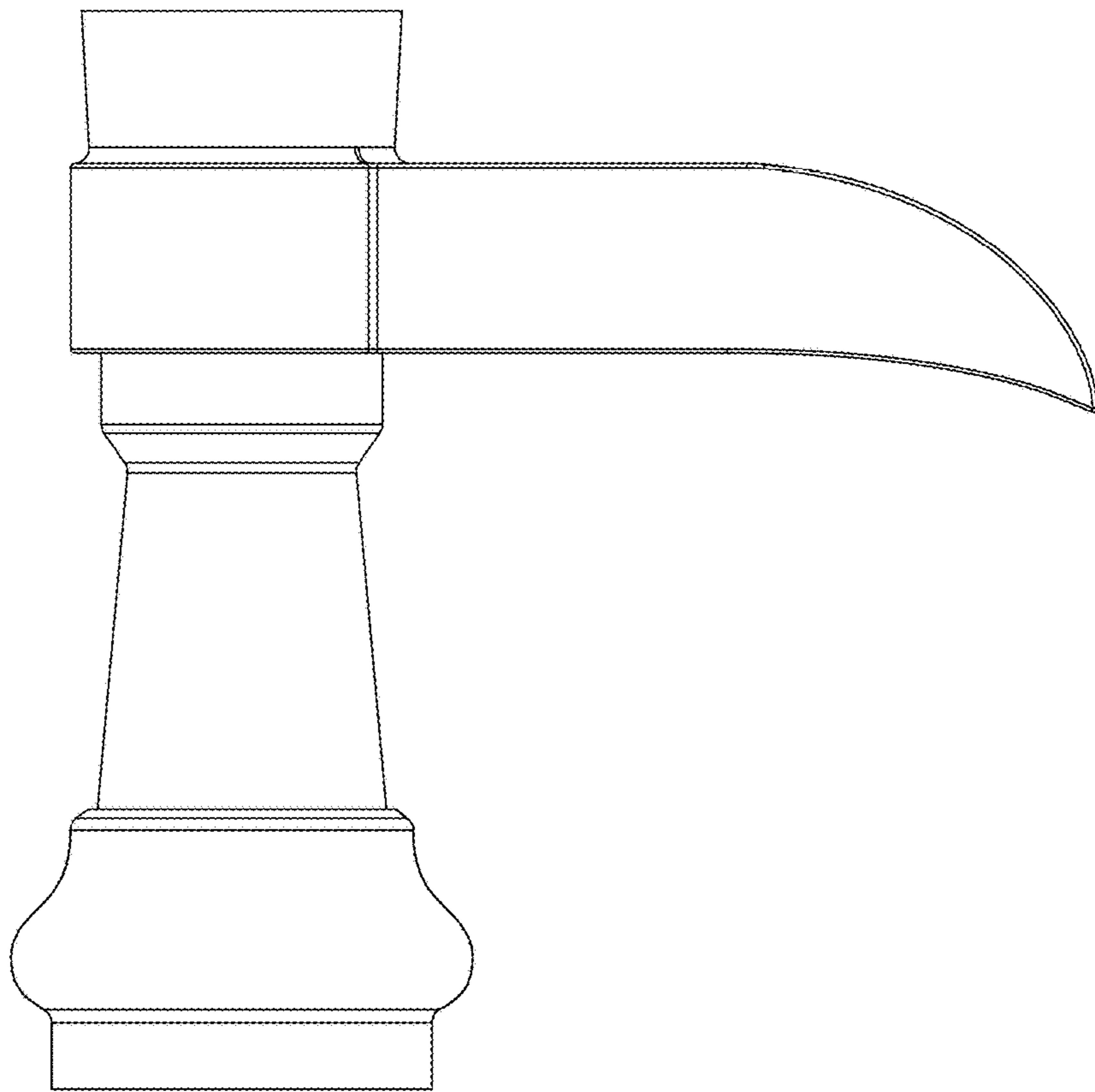


FIG. 1

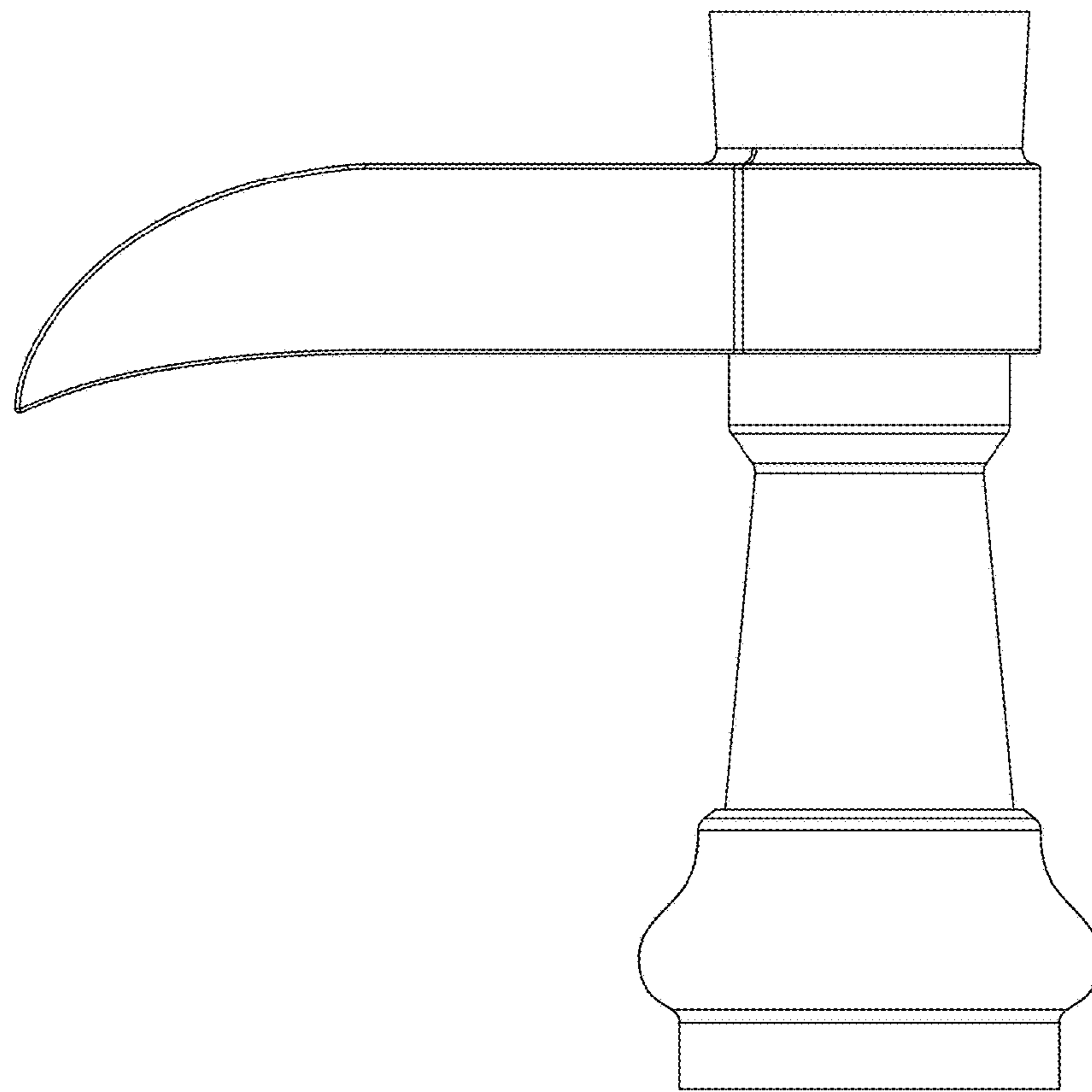


FIG. 2

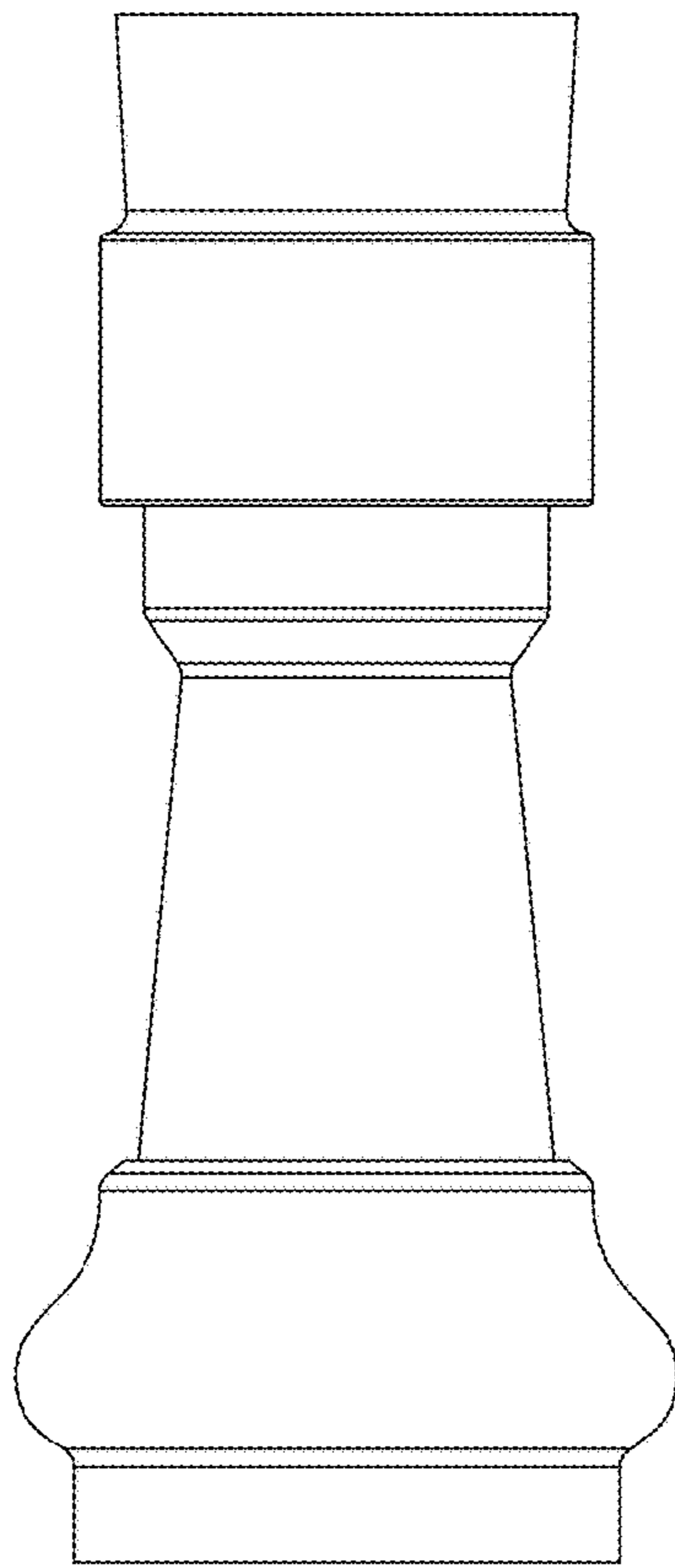


FIG. 3

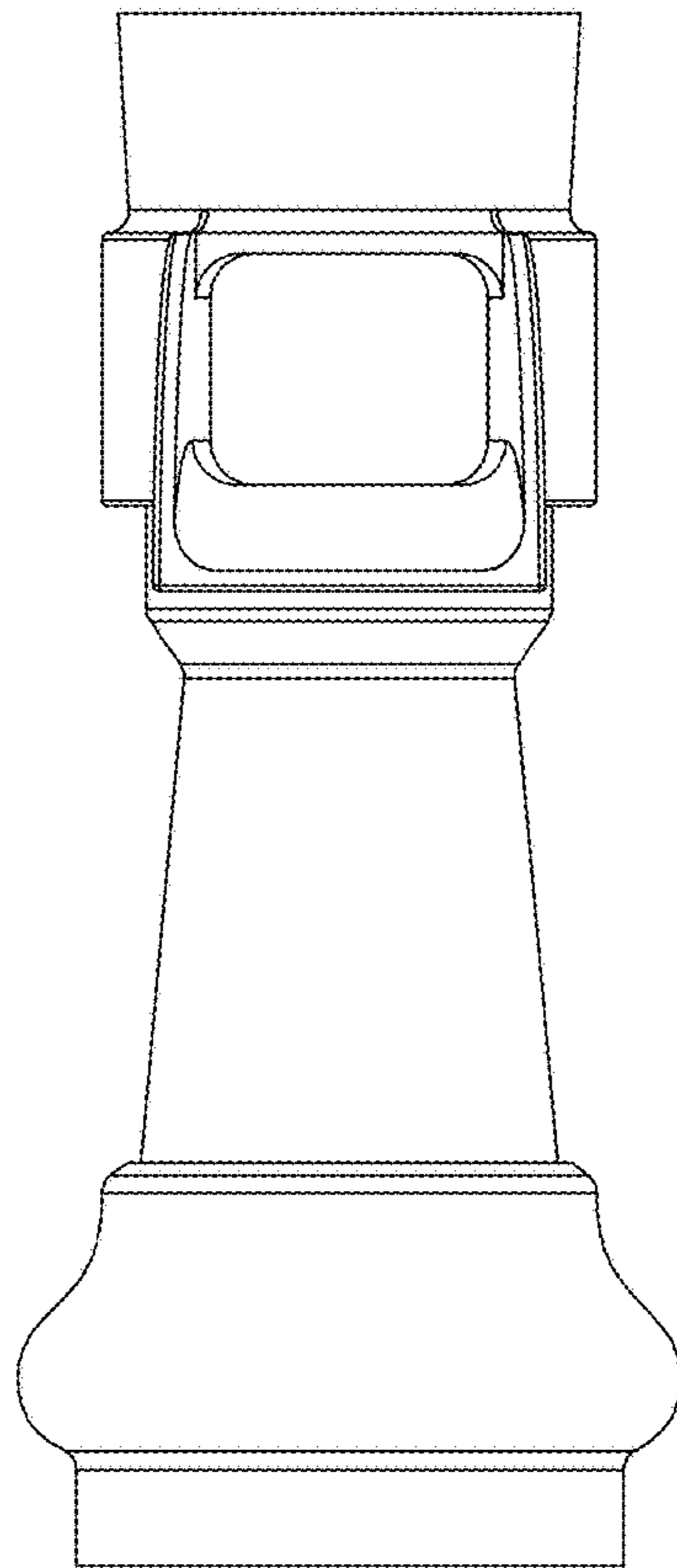


FIG. 4

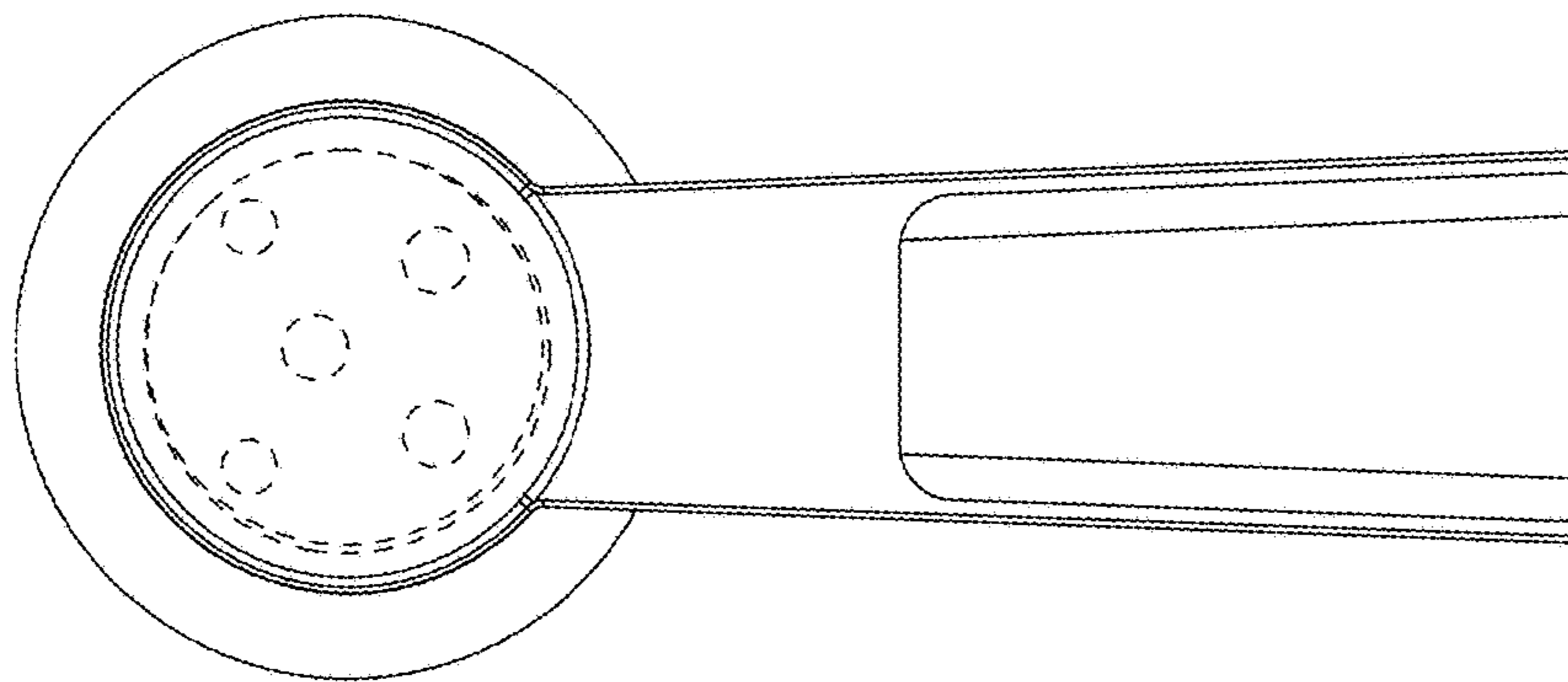


FIG. 5

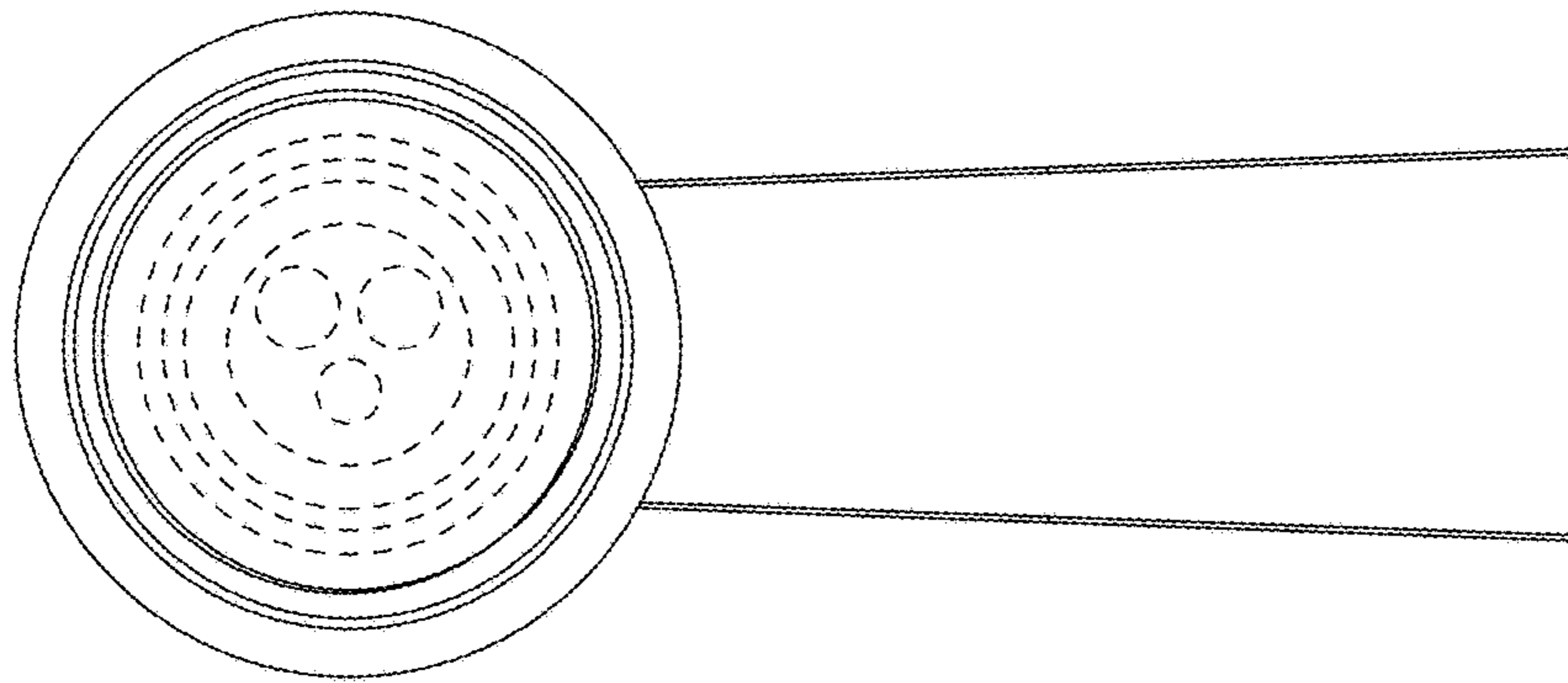


FIG. 6

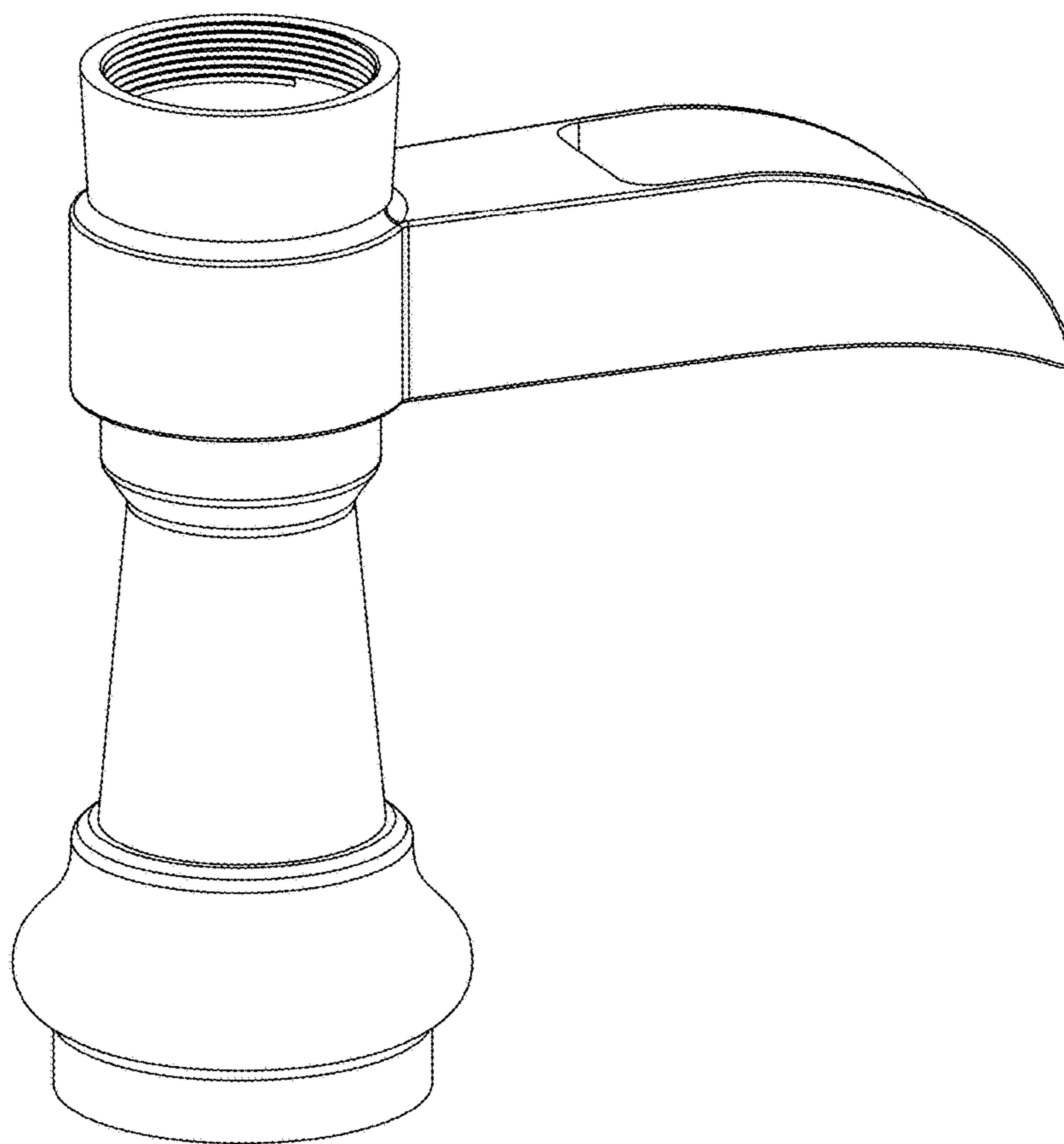


FIG. 7



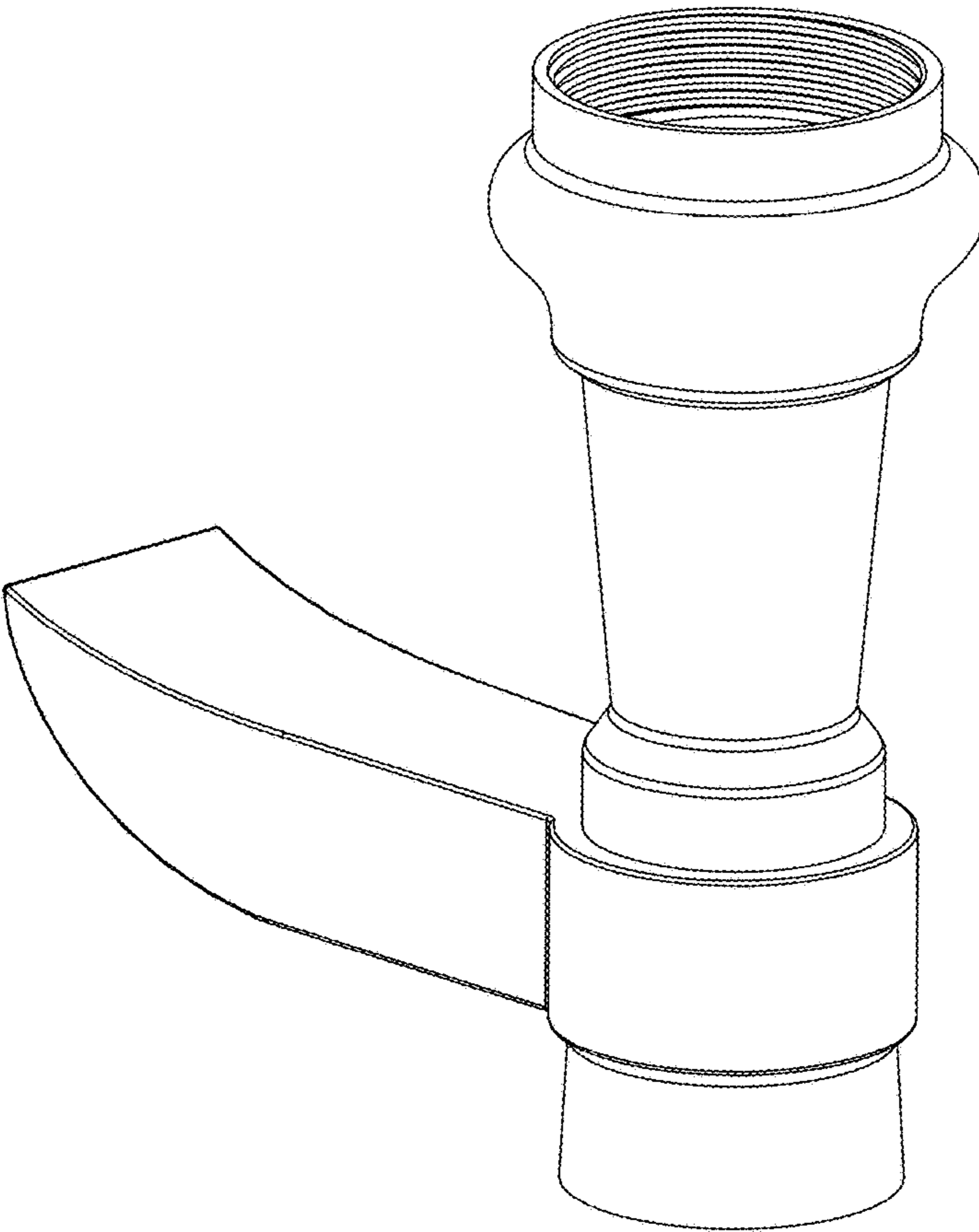


FIG. 8