



US00D844113S

(12) **United States Design Patent** (10) **Patent No.:** **US D844,113 S**  
**Auxter et al.** (45) **Date of Patent:** **\*\* Mar. 26, 2019**

(54) **OIL FILTER FRONT RELIEF VALVE**  
(71) Applicant: **Fram Group IP LLC**, Lake Forest, IL (US)  
(72) Inventors: **Daniel Auxter**, Genoa, OH (US);  
**Timothy L. Memmer**, Bowling Green, OH (US)  
(73) Assignee: **Fram Group IP LLC**, Lake Forest, IL (US)

3,618,775 A 11/1971 Hultgren  
3,861,570 A 1/1975 Green  
4,028,243 A 6/1977 Offer et al.  
4,168,723 A \* 9/1979 Schneider ..... F16K 17/04  
137/542  
4,763,689 A \* 8/1988 Heffner ..... F16K 15/063  
137/514  
4,872,976 A 10/1989 Cudaback  
4,935,127 A 6/1990 Lowsky et al.  
(Continued)

(\*\*) Term: **15 Years**

GB 1592613 7/1981

(21) Appl. No.: **29/664,786**

FOREIGN PATENT DOCUMENTS  
OTHER PUBLICATIONS

(22) Filed: **Sep. 27, 2018**

U.S. Appl. No. 29/603,469, filed May 10, 2017.  
International Search Report and Written Opinion of PCT/US18/29027 dated Jul. 20, 2018.

**Related U.S. Application Data**

(62) Division of application No. 29/603,469, filed on May 10, 2017, now Pat. No. Des. 835,756.

(51) **LOC (11) Cl.** ..... **23-01**  
(52) **U.S. Cl.**  
USPC ..... **D23/249**

*Primary Examiner* — Cynthia Ramirez  
*Assistant Examiner* — Gino Colan  
(74) *Attorney, Agent, or Firm* — Elizabeth A. Peters;  
Barnes & Thornburg LLP

(58) **Field of Classification Search**  
USPC ..... D23/233, 235, 237, 244, 249, 365, 209;  
210/130–136, 450, 430; 137/526, 533.11,  
137/542  
CPC . F16K 17/02; F16K 24/04; F16K 1/42; F16K  
1/465; F16K 24/06; B01D 2201/291;  
B01D 2201/34; B01D 35/306; B01D  
35/005; B01D 35/30  
See application file for complete search history.

(57) **CLAIM**  
The ornamental design for an oil filter front relief valve, as shown and described.

(56) **References Cited**

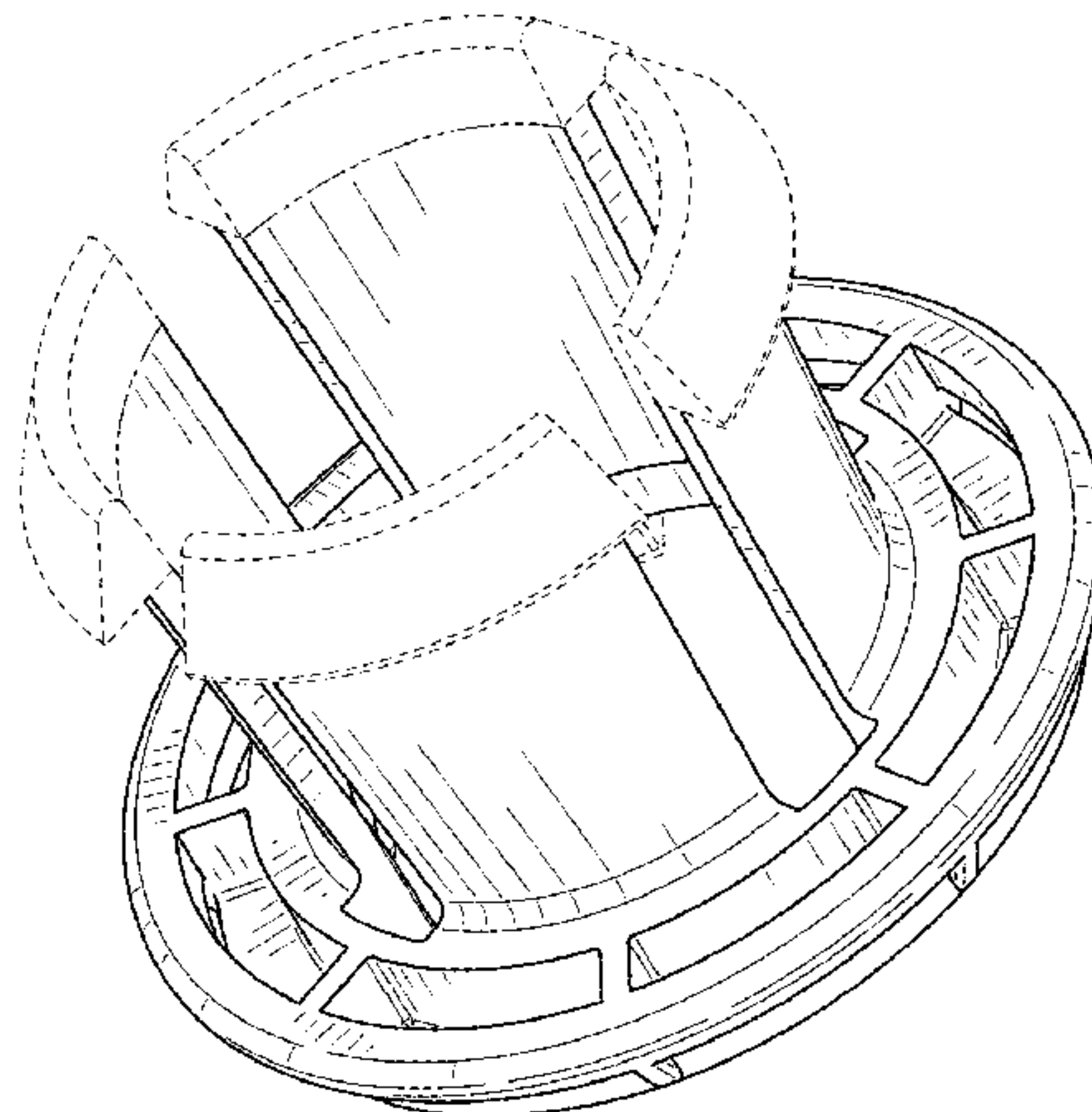
**DESCRIPTION**

U.S. PATENT DOCUMENTS

3,156,259 A 11/1964 Havelka et al.  
3,235,085 A 2/1966 Humbert, Jr.  
3,305,095 A \* 2/1967 Hathaway ..... B01D 27/08  
210/130  
3,567,022 A 3/1971 Thornton et al.  
3,589,517 A 6/1971 Palmai

FIG. 1 is an upper perspective view of an oil filter front relief valve, showing our new design;  
FIG. 2 is a bottom perspective view thereof;  
FIG. 3 is a left side view thereof;  
FIG. 4 is a right side view thereof;  
FIG. 5 is a top plan view thereof; and,  
FIG. 6 is a bottom plan view thereof.  
The broken lines shown in the drawings are for purposes of illustrating portions of the oil filter front relief valve and form no part of the claimed design.

**1 Claim, 3 Drawing Sheets**



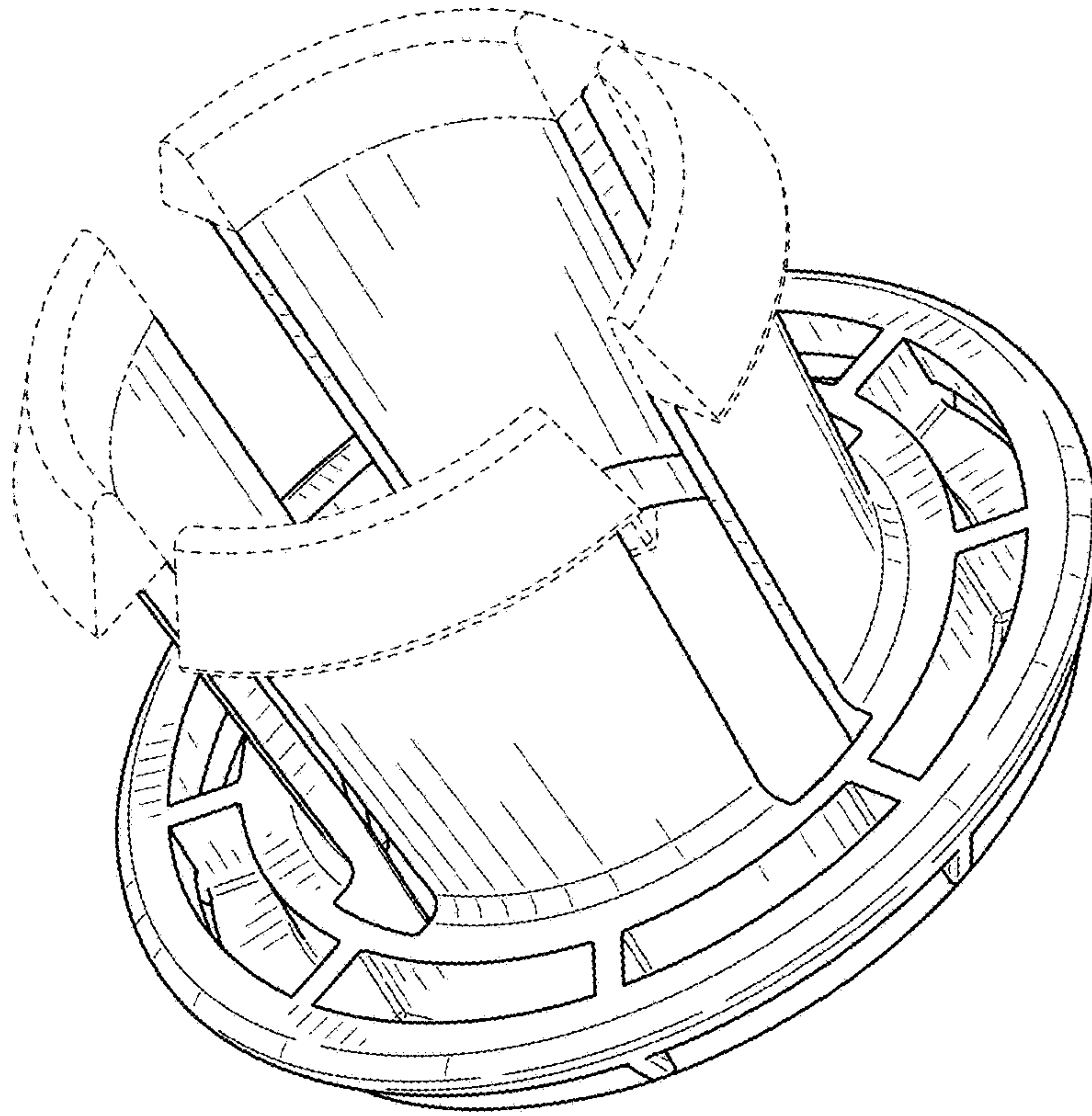
(56)

**References Cited**

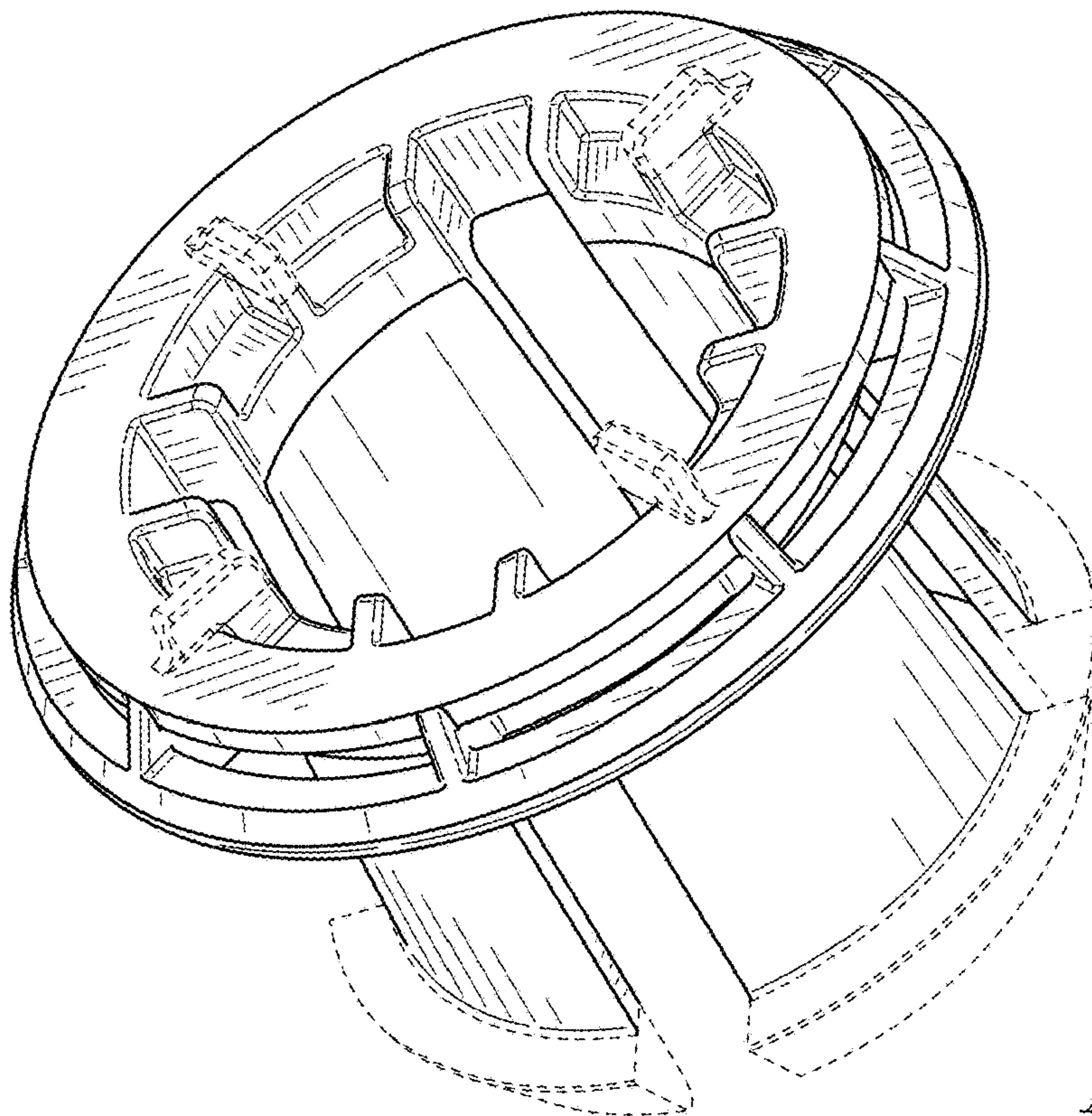
U.S. PATENT DOCUMENTS

5,137,049 A \* 8/1992 Orlowski ..... F16K 17/12  
137/533.11  
5,256,280 A 10/1993 Anderly et al.  
5,363,878 A \* 11/1994 Atkins ..... F16K 15/144  
137/526  
5,395,518 A \* 3/1995 Gulsvig ..... B01D 27/06  
210/132  
6,214,215 B1 4/2001 Berkey et al.  
6,284,130 B1 9/2001 Daniel  
7,175,761 B2 2/2007 Stanhope et al.  
9,884,278 B2 2/2018 Bilski et al.  
9,995,408 B1 \* 6/2018 Yager ..... F16K 17/12  
D835,756 S \* 12/2018 Auxter ..... D23/249  
2005/0103692 A1 5/2005 Stanhope et al.  
2007/0235374 A1 10/2007 Wright et al.  
2013/0119289 A1 5/2013 Morris et al.  
2015/0219226 A1 8/2015 Bilski  
2015/0238885 A1 8/2015 Bilski et al.  
2018/0304179 A1 \* 10/2018 Auxter ..... B01D 35/1475

\* cited by examiner

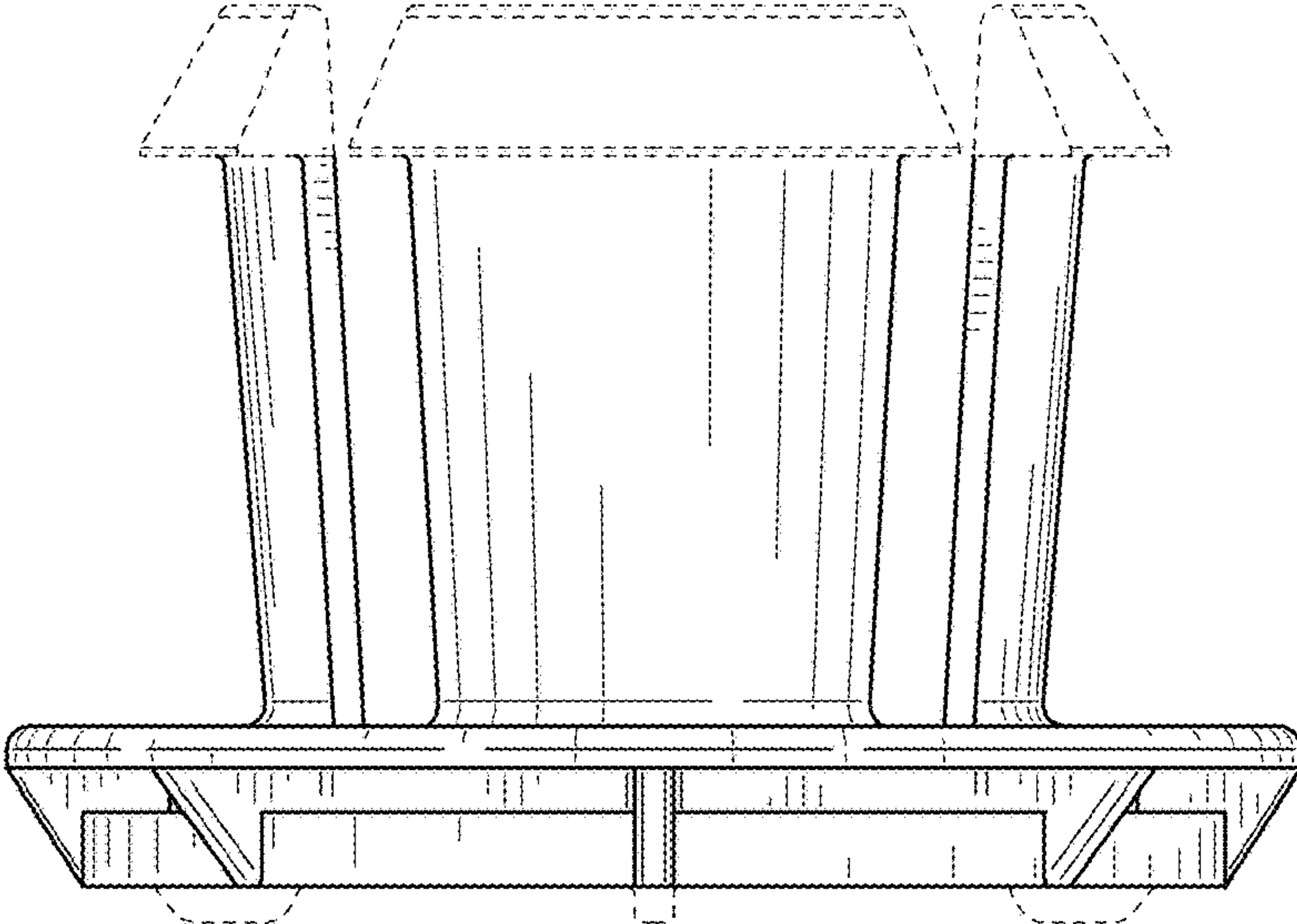


*FIG. 1*

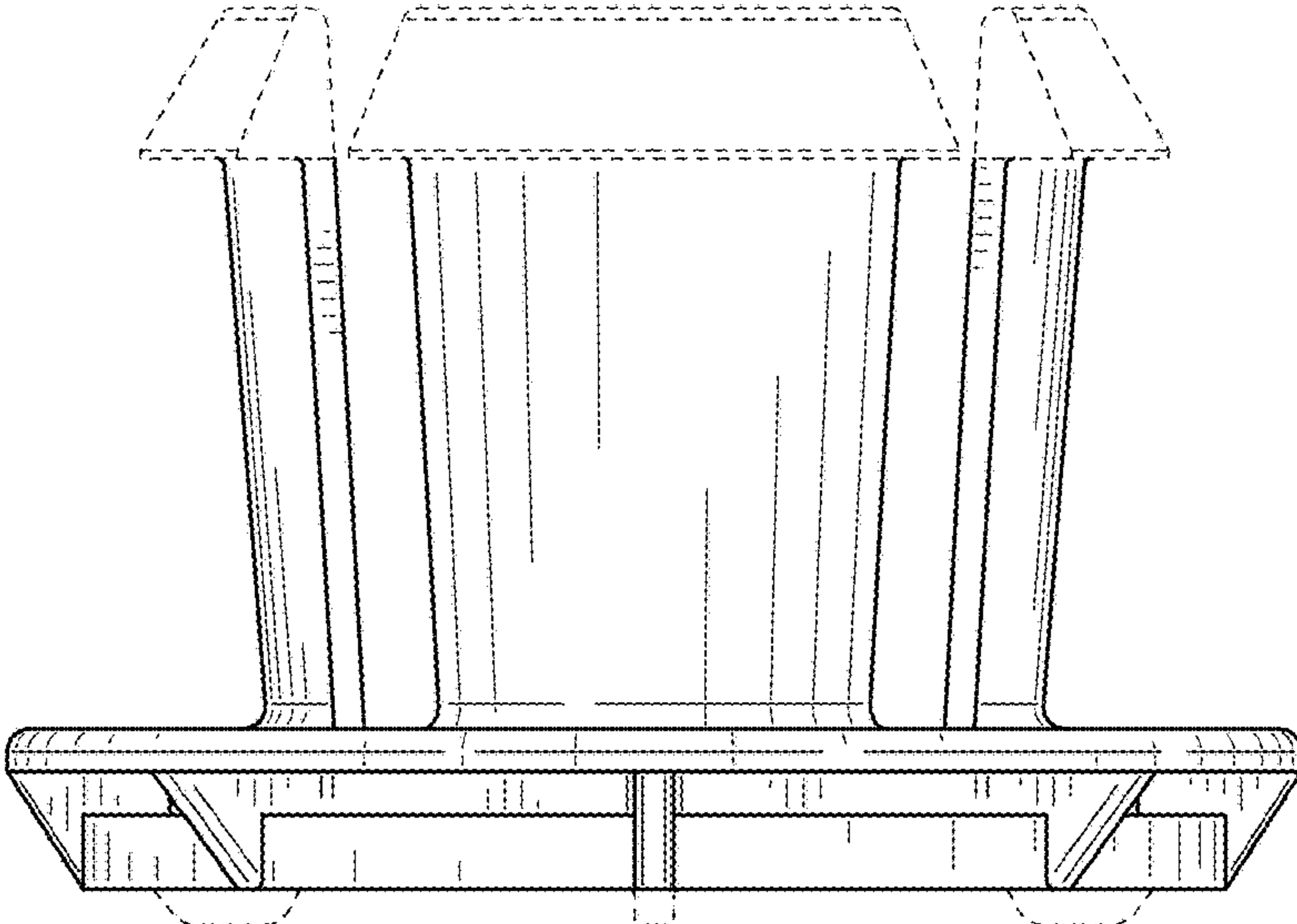


*FIG. 2*

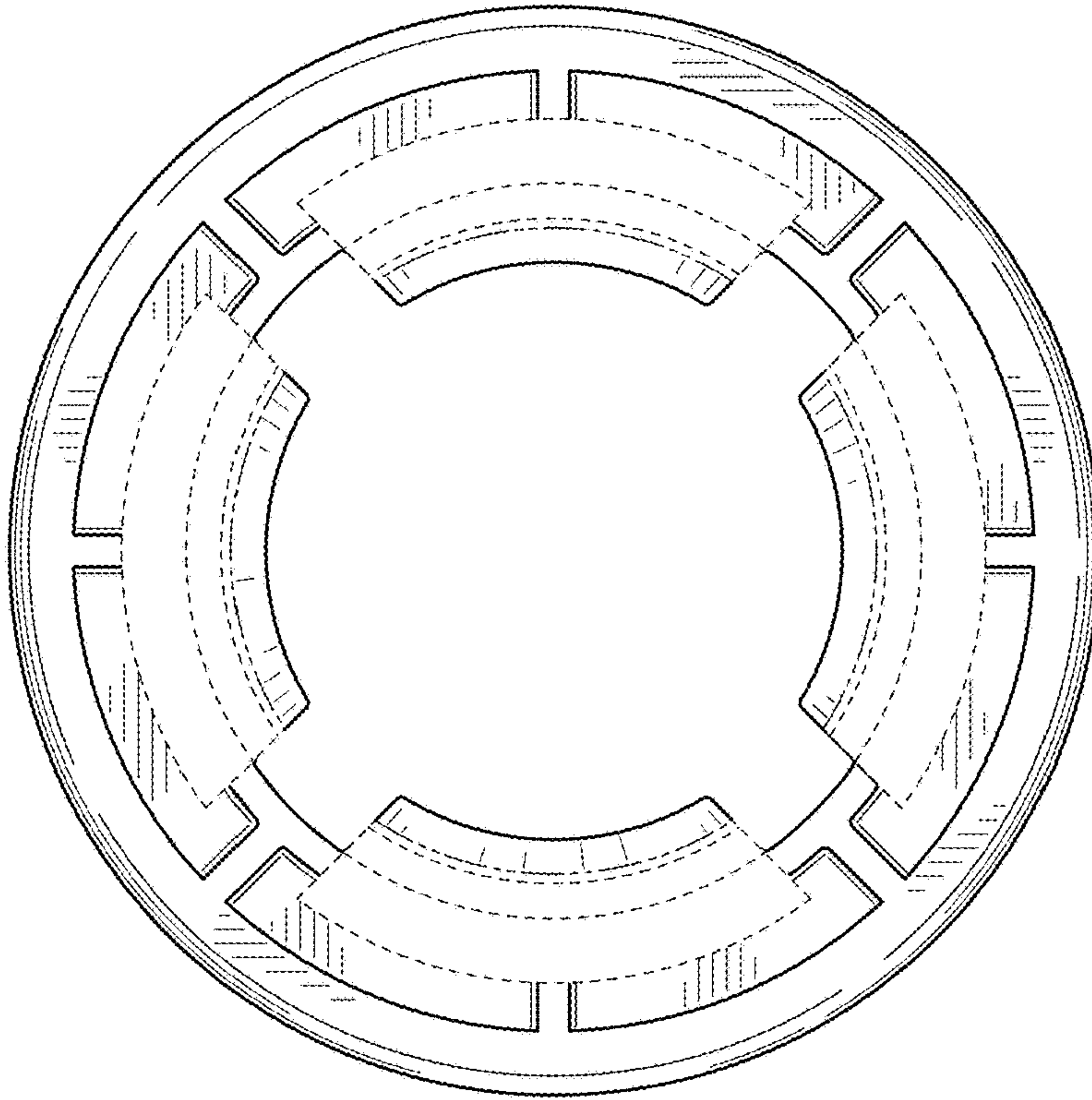




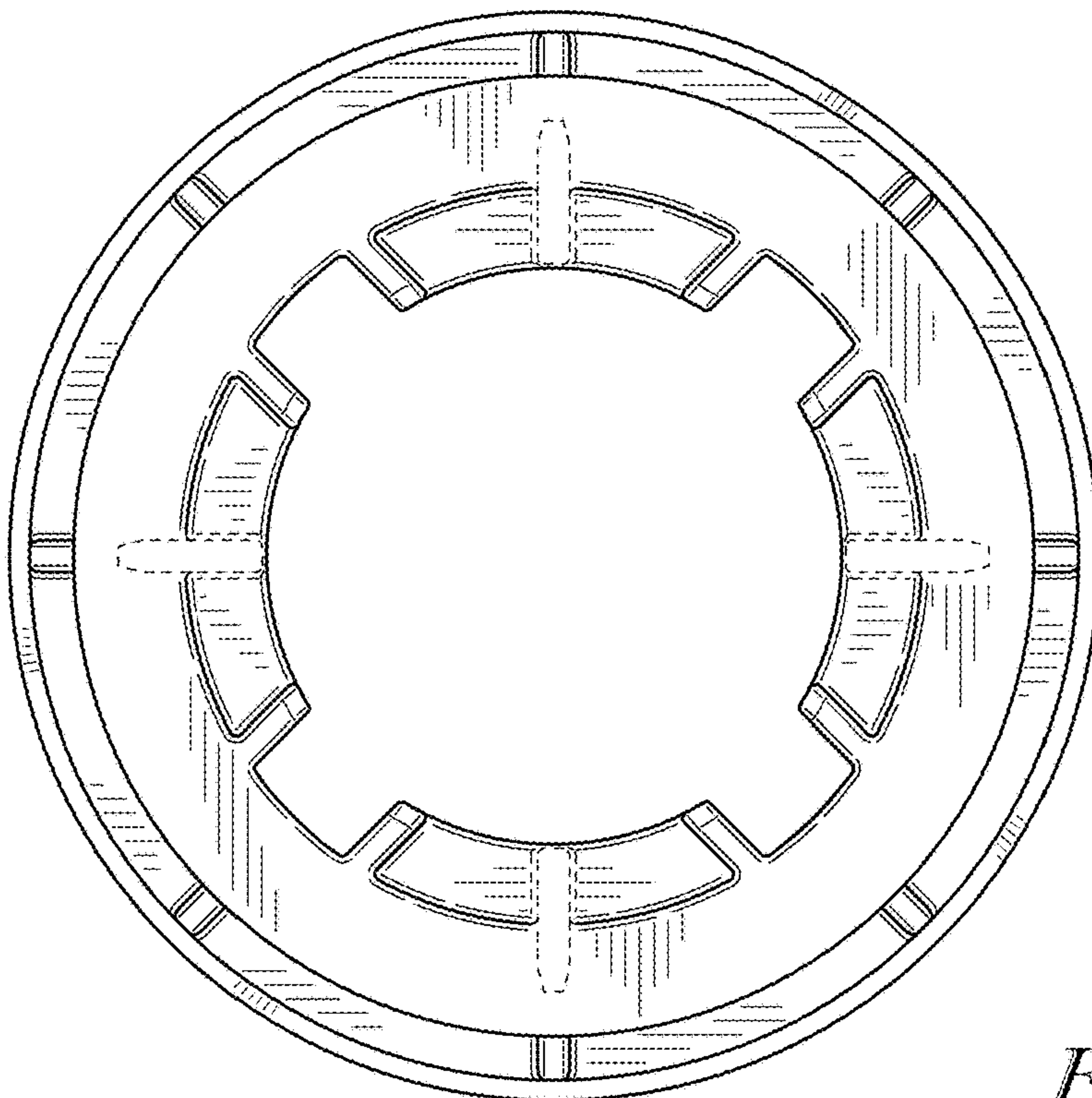
*FIG. 3*



*FIG. 4*



*FIG. 5*



*FIG. 6*