



US00D844112S

(12) **United States Design Patent**
Zeisel et al.

(10) **Patent No.:** **US D844,112 S**

(45) **Date of Patent:** **** Mar. 26, 2019**

(54) **FAUCET**

CPC Y10T 137/9464
See application file for complete search history.

(71) Applicant: **Franke Water Systems AG**, Unterkulm (CH)

(56) **References Cited**

(72) Inventors: **Michael Zeisel**, Aachen (DE); **Roland Gloor**, Unterkulm (CH)

U.S. PATENT DOCUMENTS

(73) Assignee: **Franke Water Systems AG**, Unterkulm (CH)

D191,295 S	9/1961	Chapman
D217,966 S	7/1970	Korol
D254,801 S	4/1980	Santi
D318,907 S	8/1991	Kohler, Jr. et al.
D341,648 S	11/1993	Bengtson et al.
D403,751 S	1/1999	Nguyen
D484,218 S	12/2003	Moore
D615,629 S	5/2010	Bouroullec et al.
D692,104 S	10/2013	Gessi
D692,109 S	10/2013	Garland
D767,098 S	9/2016	Citterio et al.

(**) Term: **15 Years**

(21) Appl. No.: **29/662,725**

(22) Filed: **Sep. 7, 2018**

Primary Examiner — Robert A Delehanty

(74) *Attorney, Agent, or Firm* — Volpe and Koenig, P.C.

Related U.S. Application Data

(62) Division of application No. 29/570,812, filed on Jul. 12, 2016, now Pat. No. Des. 832,405.

(57) **CLAIM**

We claim the ornamental design for a faucet, as shown and described.

(30) **Foreign Application Priority Data**

Jan. 20, 2016	(EM)	00294664-0002
Jan. 20, 2016	(EM)	00294664-0003
Jan. 20, 2016	(EM)	002942664-0001

DESCRIPTION

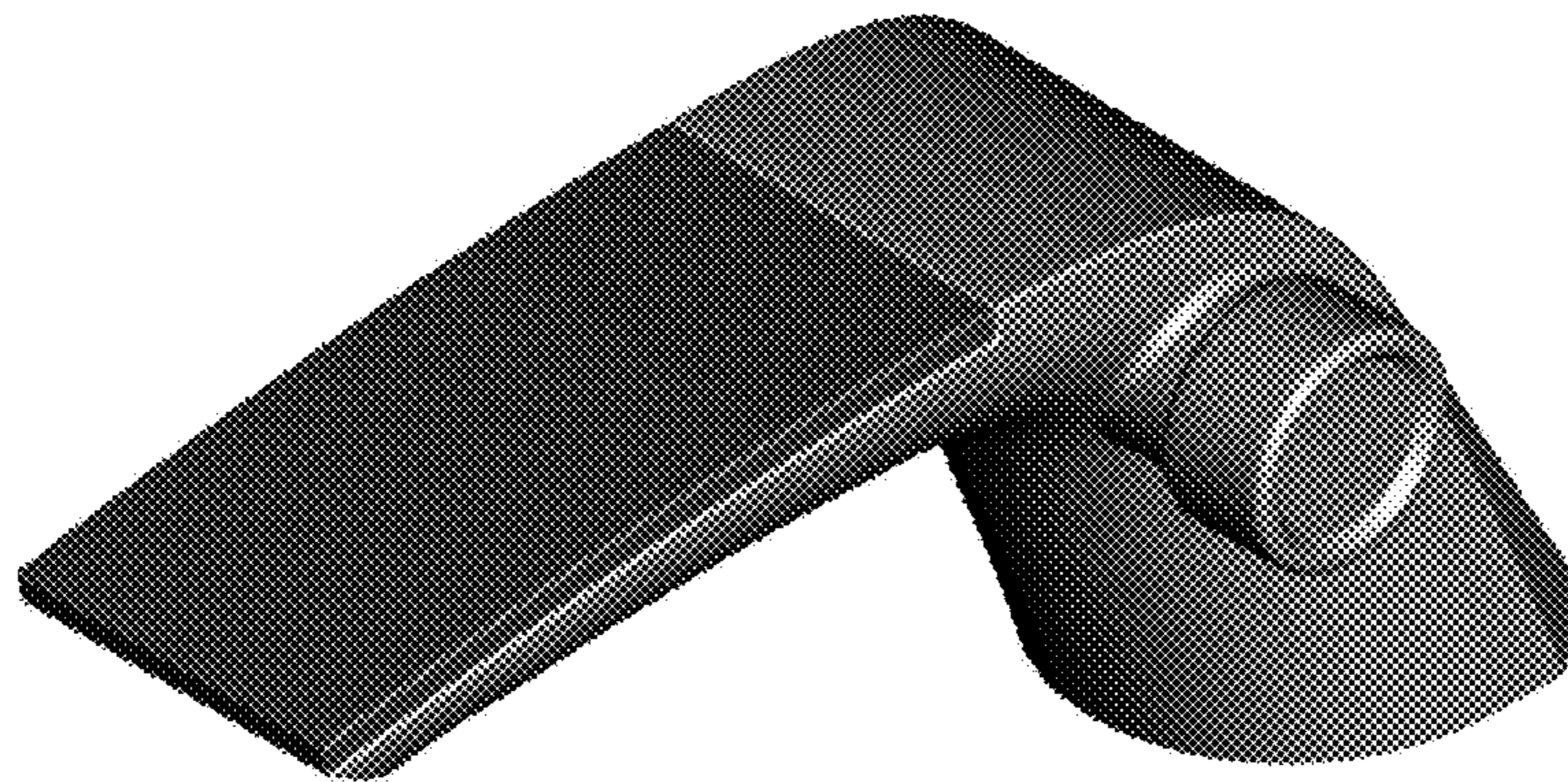
FIG. 1 is a top, front, right perspective view of a faucet in accordance with our design;
FIG. 2 is a right side elevational view thereof;
FIG. 3 is a left side elevational view thereof;
FIG. 4 is a top plan view thereof;
FIG. 5 is a front elevational view thereof; and,
FIG. 6 is a rear elevational view thereof.

(51) **LOC (11) Cl.** **23-01**

(52) **U.S. Cl.**
USPC **D23/238**

(58) **Field of Classification Search**
USPC D23/238, 241–243, 249–250, 252,
D23/254–255, 257, 245; D8/307–307

1 Claim, 4 Drawing Sheets



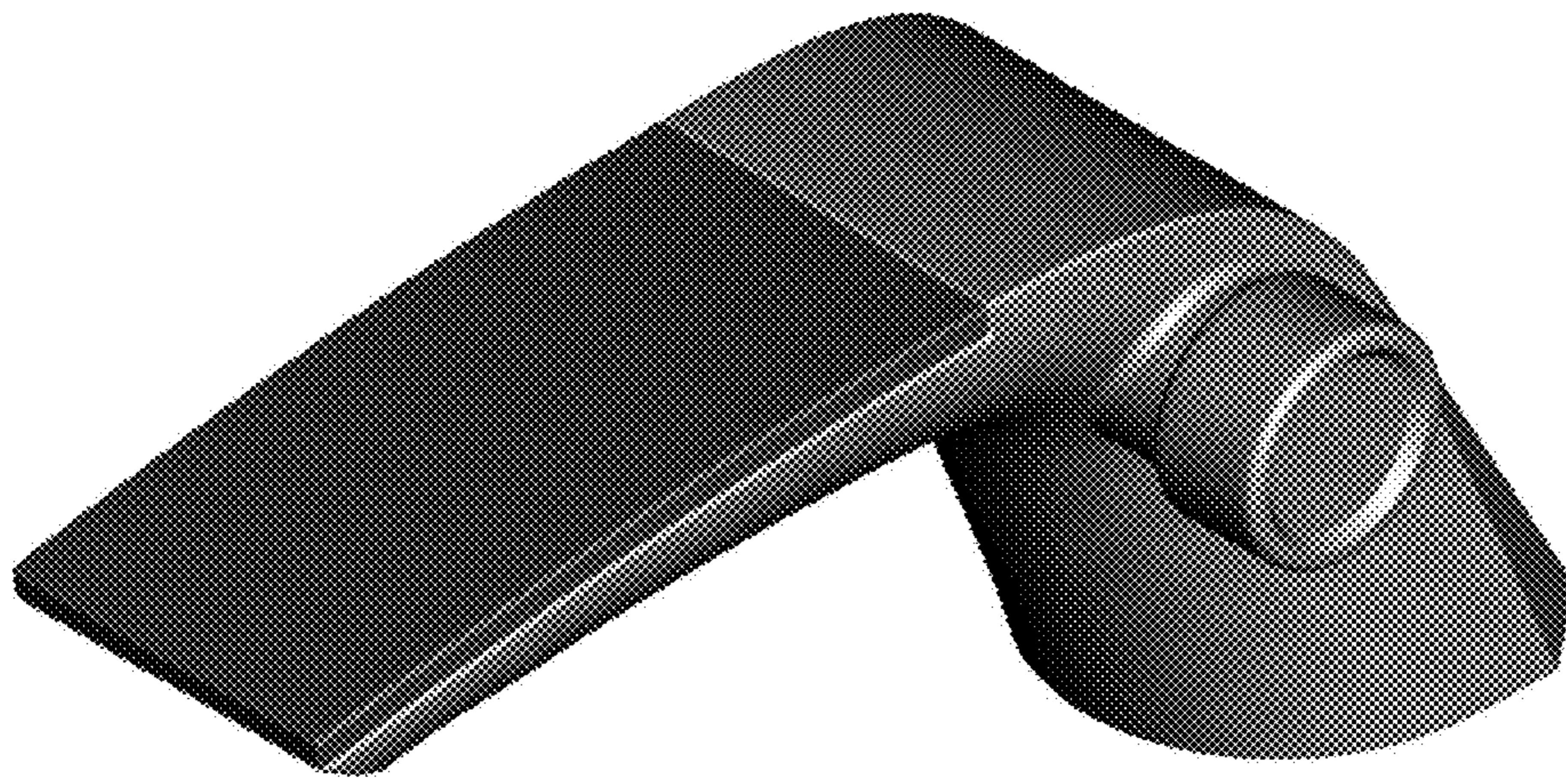


Fig. 1

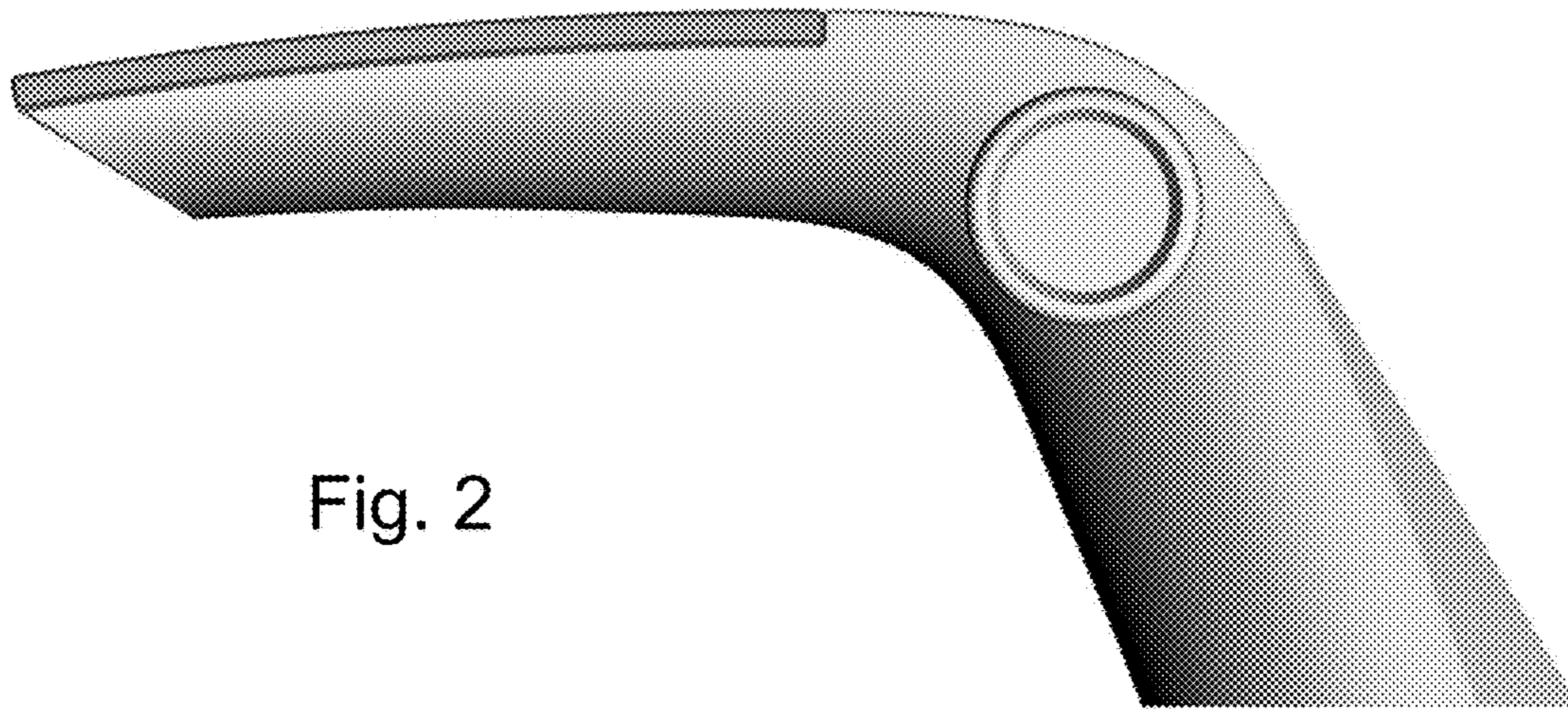


Fig. 2

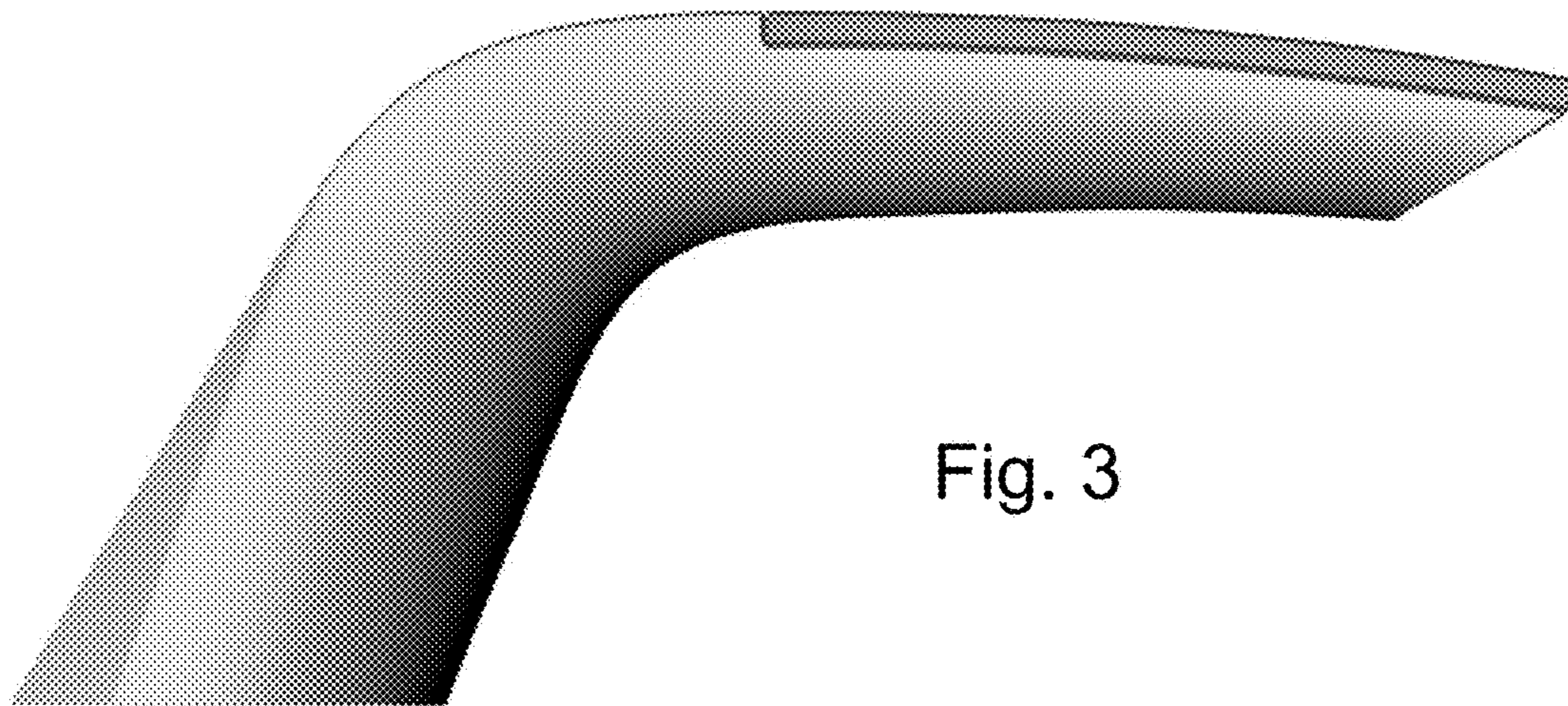


Fig. 3

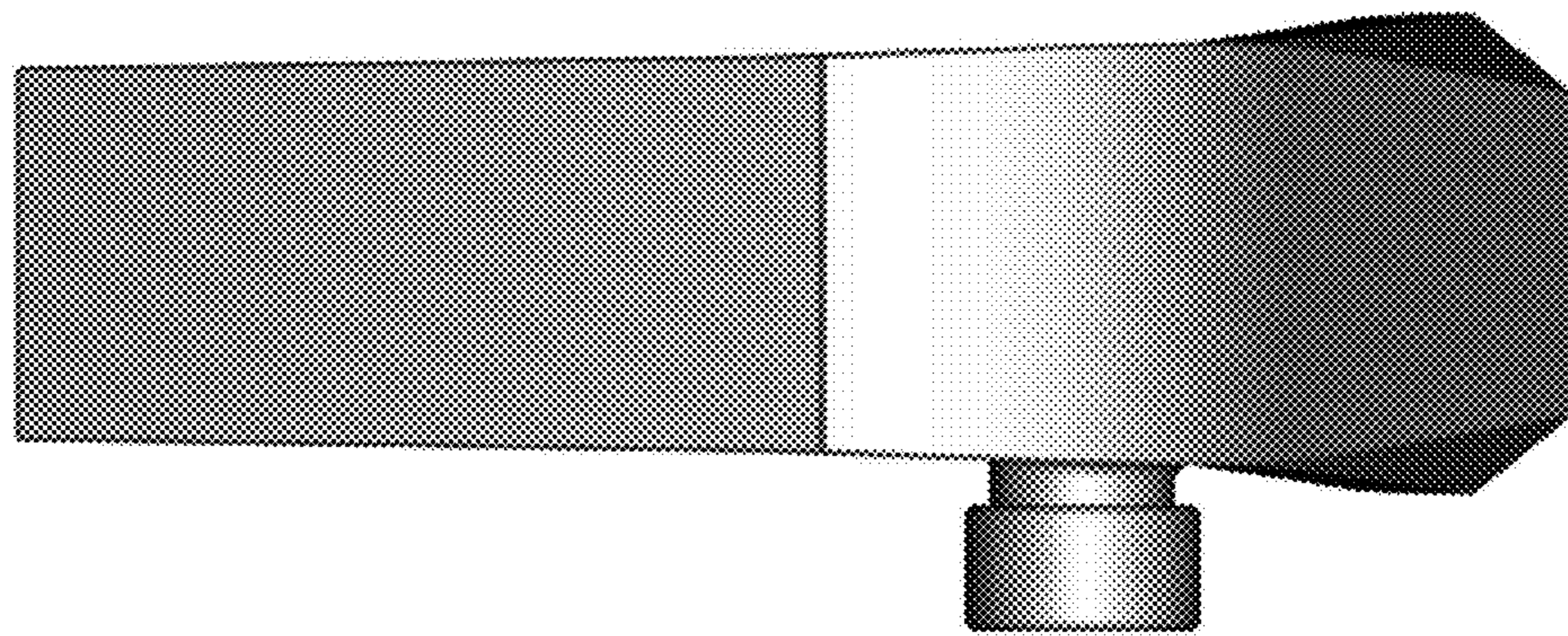


Fig. 4

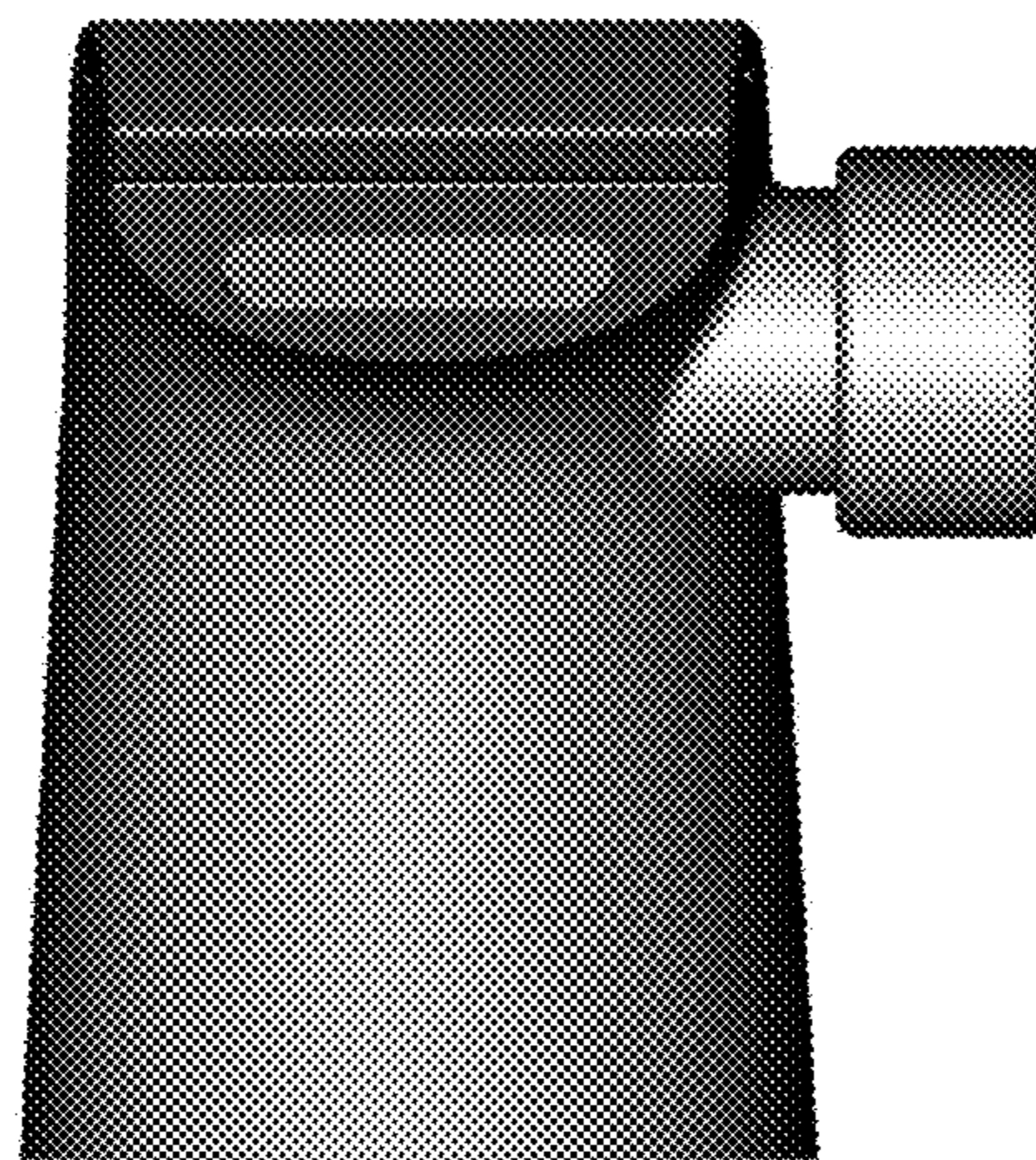


Fig. 5

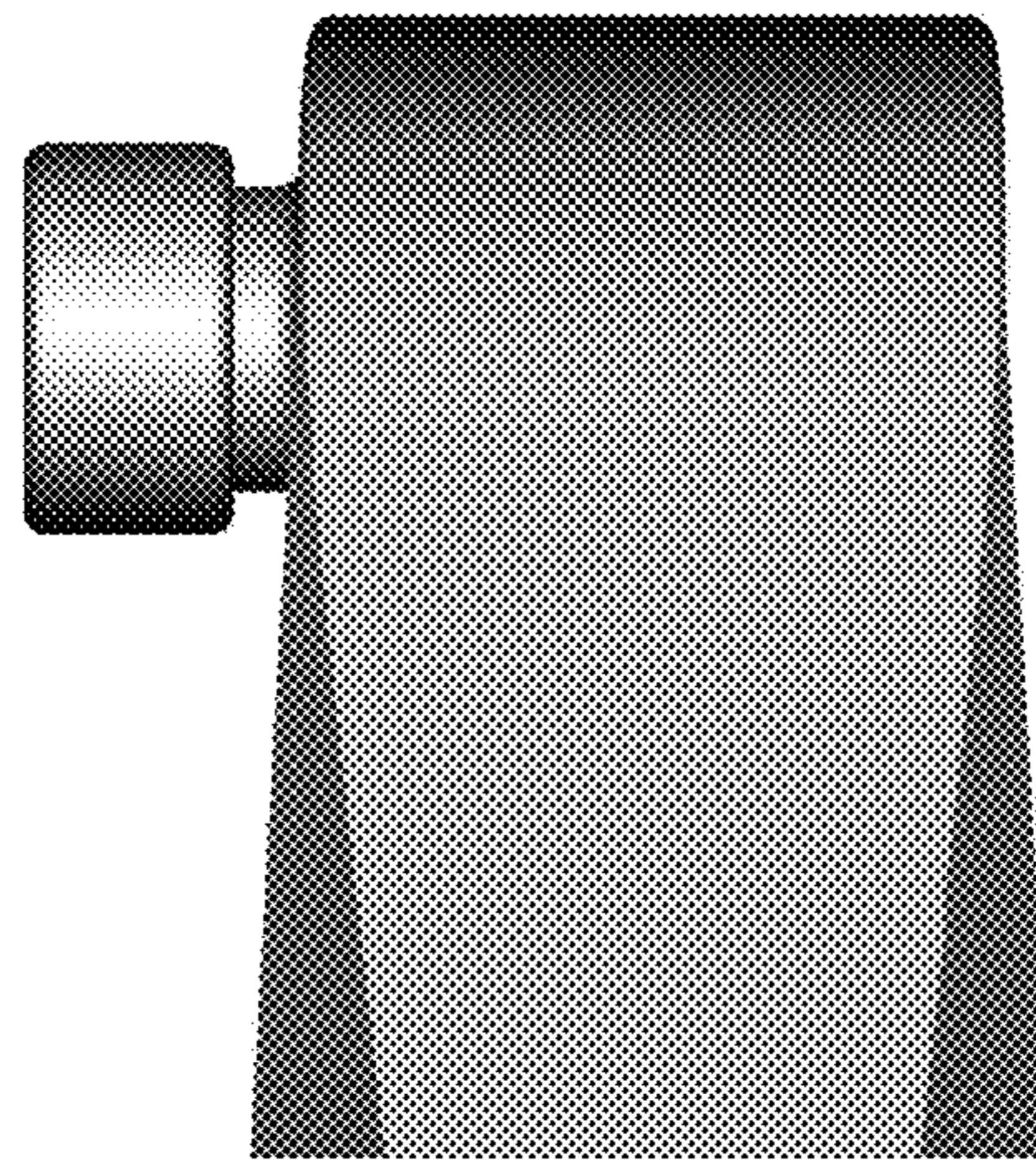


Fig. 6