



US00D844111S

(12) **United States Design Patent** (10) **Patent No.:** **US D844,111 S**
Soulier et al. (45) **Date of Patent:** **** Mar. 26, 2019**

- (54) **FAUCET**
- (71) Applicant: **Kohler Co.**, Kohler, WI (US)
- (72) Inventors: **Jean-Hugues Soulier**, Paris (FR);
Ferran Serra Sola, Paris (FR)
- (73) Assignee: **KOHLER CO.**, Kohler, WI (US)
- (**) Term: **15 Years**
- (21) Appl. No.: **29/657,997**
- (22) Filed: **Jul. 26, 2018**

- D636,061 S 4/2011 Kulig
- D636,062 S 4/2011 Rubin et al.
- D666,276 S 8/2012 Fritz
- D673,652 S 1/2013 Thomas
- D676,531 S 2/2013 Vibe-Petersen
- D697,589 S 1/2014 Georgeson
- D698,420 S 1/2014 Hahn et al.
- D713,008 S 9/2014 Citterio
- D724,698 S 3/2015 Kulig
- D735,297 S 7/2015 Sieger
- D750,203 S 2/2016 Flowers
- D754,295 S 4/2016 Lord
- D755,350 S 5/2016 Rexach
- D758,545 S 6/2016 Yabu

(Continued)

Related U.S. Application Data

- (62) Division of application No. 29/641,526, filed on Mar. 22, 2018, which is a division of application No. 29/595,301, filed on Feb. 27, 2017, now Pat. No. Des. 823,441.
- (51) **LOC (11) Cl.** **23-01**
- (52) **U.S. Cl.**
USPC **D23/238**
- (58) **Field of Classification Search**
USPC D23/238-243, 249-250, 252, 254-255,
D23/257; D8/300, 307-308
CPC ... Y10T 137/9464; E03C 1/04; E03C 1/0401;
E03C 1/0402; E03C 1/0404; E03C
1/0405; E03C 1/0412
See application file for complete search history.

References Cited

U.S. PATENT DOCUMENTS

- D466,977 S 12/2002 Cummings
- D469,157 S 1/2003 Lobermeier
- D479,309 S 9/2003 Haug
- D513,060 S 12/2005 Ouyoung
- D528,189 S 9/2006 Kulig
- D536,065 S 1/2007 Wang
- D571,893 S 6/2008 Celli
- D597,175 S 7/2009 Kulig
- D615,162 S 5/2010 Pan

OTHER PUBLICATIONS

- NPL_Allmodern_Single_Handle; 6 pgs.
- NPL_Allmodern_Single_Handle_Bathroom; 6pgs.

Primary Examiner — Robert A Delehanty

(74) *Attorney, Agent, or Firm* — Foley & Lardner LLP

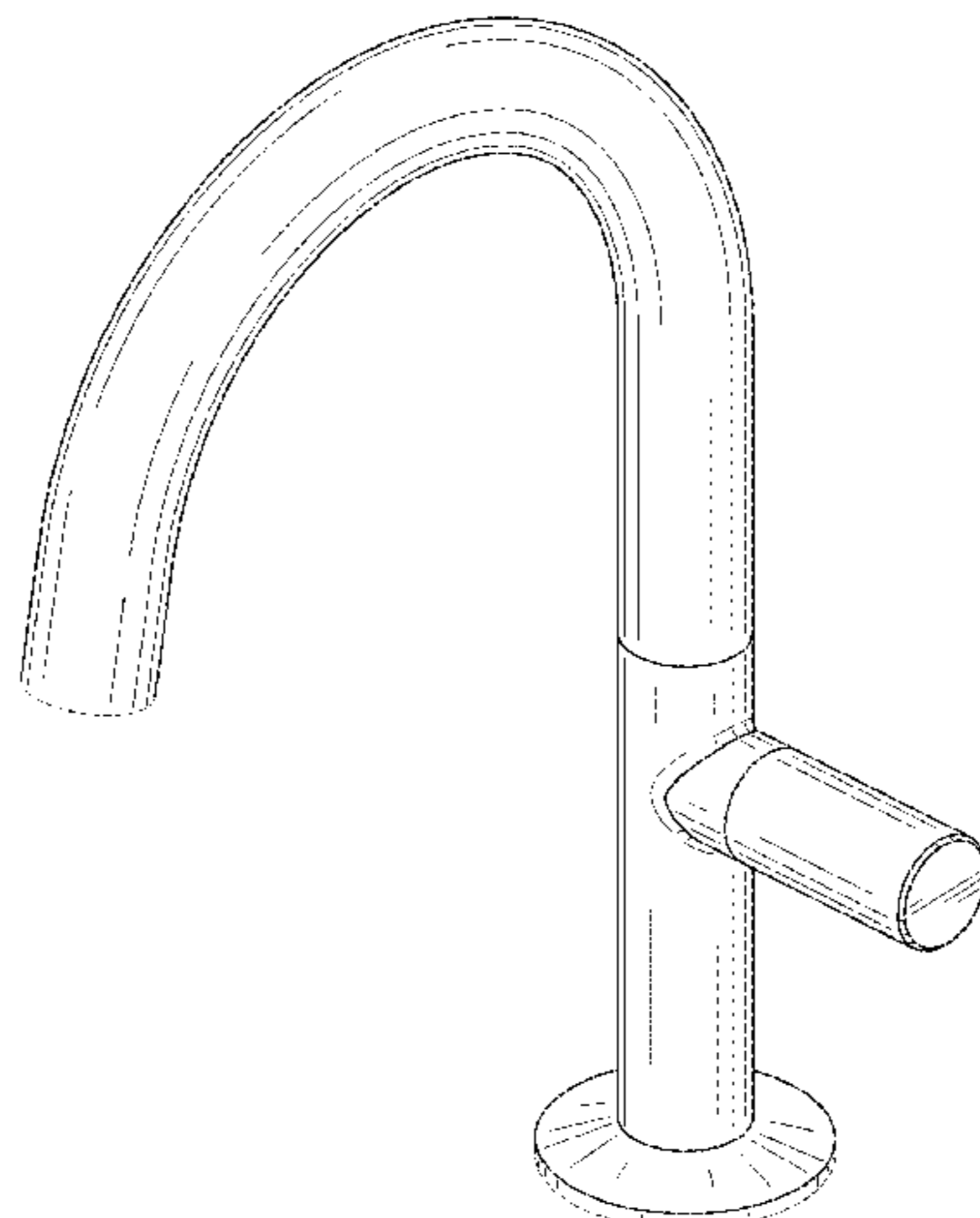
(57) **CLAIM**

We claim the ornamental design for a faucet, as shown and described.

DESCRIPTION

FIG. 1 is a top, front, right perspective view of an embodiment of the claimed design;
 FIG. 2 is a right side elevation view thereof;
 FIG. 3 is a left side elevation view thereof;
 FIG. 4 is a front elevation view thereof;
 FIG. 5 is a rear elevation view thereof;
 FIG. 6 is a top plan view thereof; and,
 FIG. 7 is a bottom plan view thereof.
 The ornamental design which is claimed is shown in solid lines in the drawings. The broken lines in the drawings are for illustrative purposes only and form no part of the claimed design. Broken lines formed by equal length dashes show unclaimed subject matter.

1 Claim, 5 Drawing Sheets



(56)

References Cited

U.S. PATENT DOCUMENTS

D767,724 S	9/2016	Flowers
D771,224 S	11/2016	Flowers
D787,020 S	5/2017	Ziemann
D803,989 S	11/2017	Flowers
D807,476 S	1/2018	Haug
D811,532 S	2/2018	Schoenherr
D811,552 S	2/2018	Fritz
D813,988 S	3/2018	Schoenherr

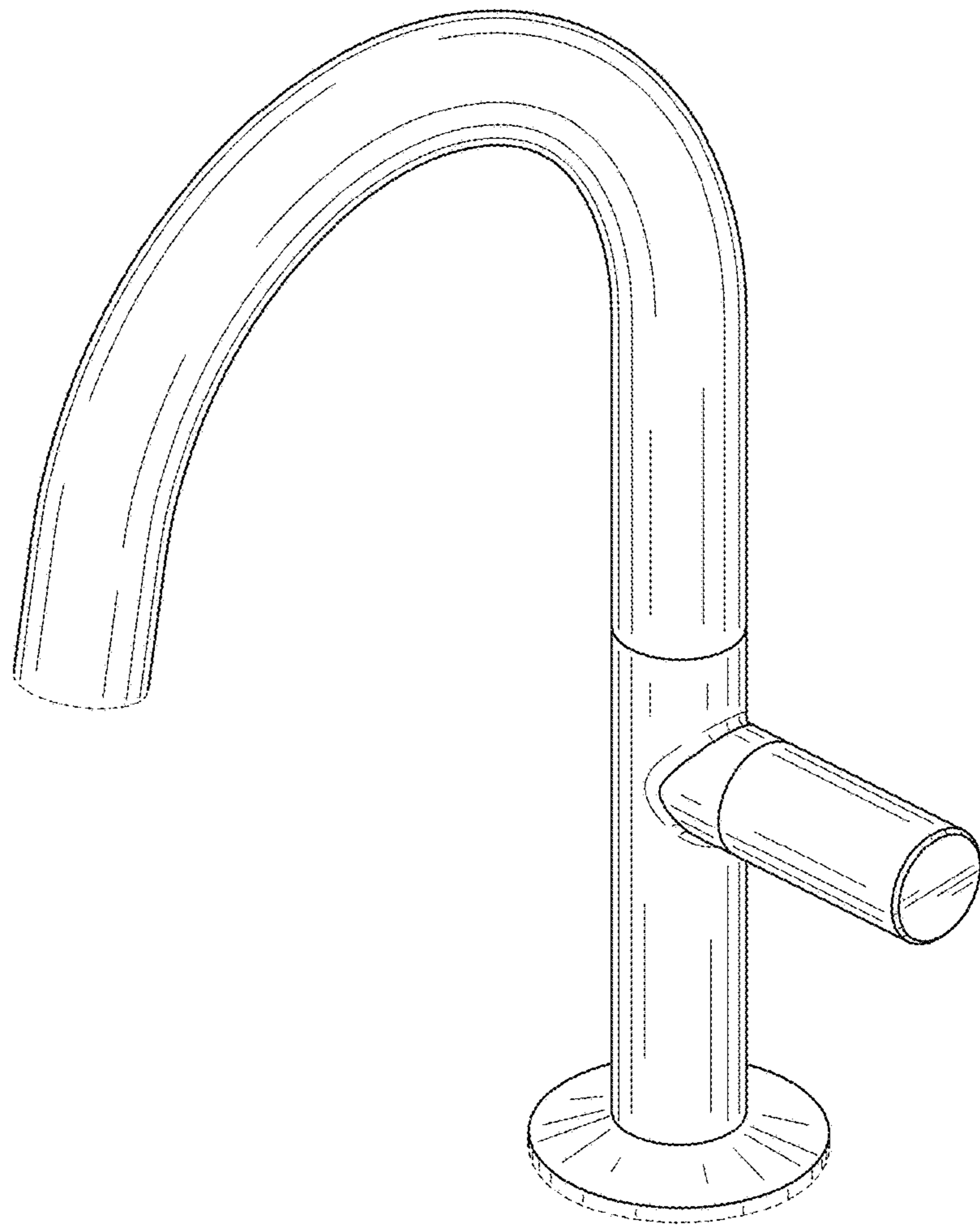


FIG. 1

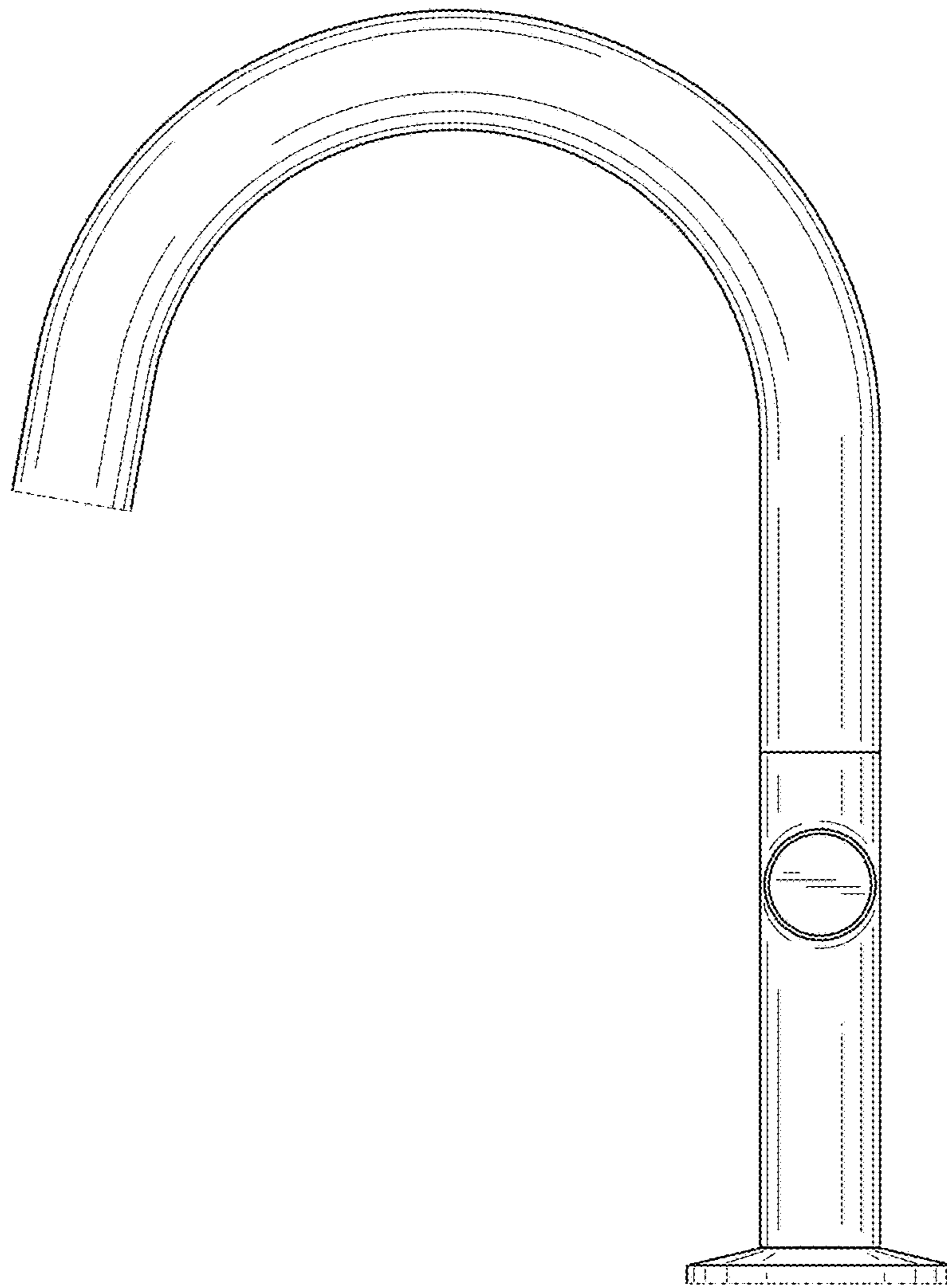


FIG. 2

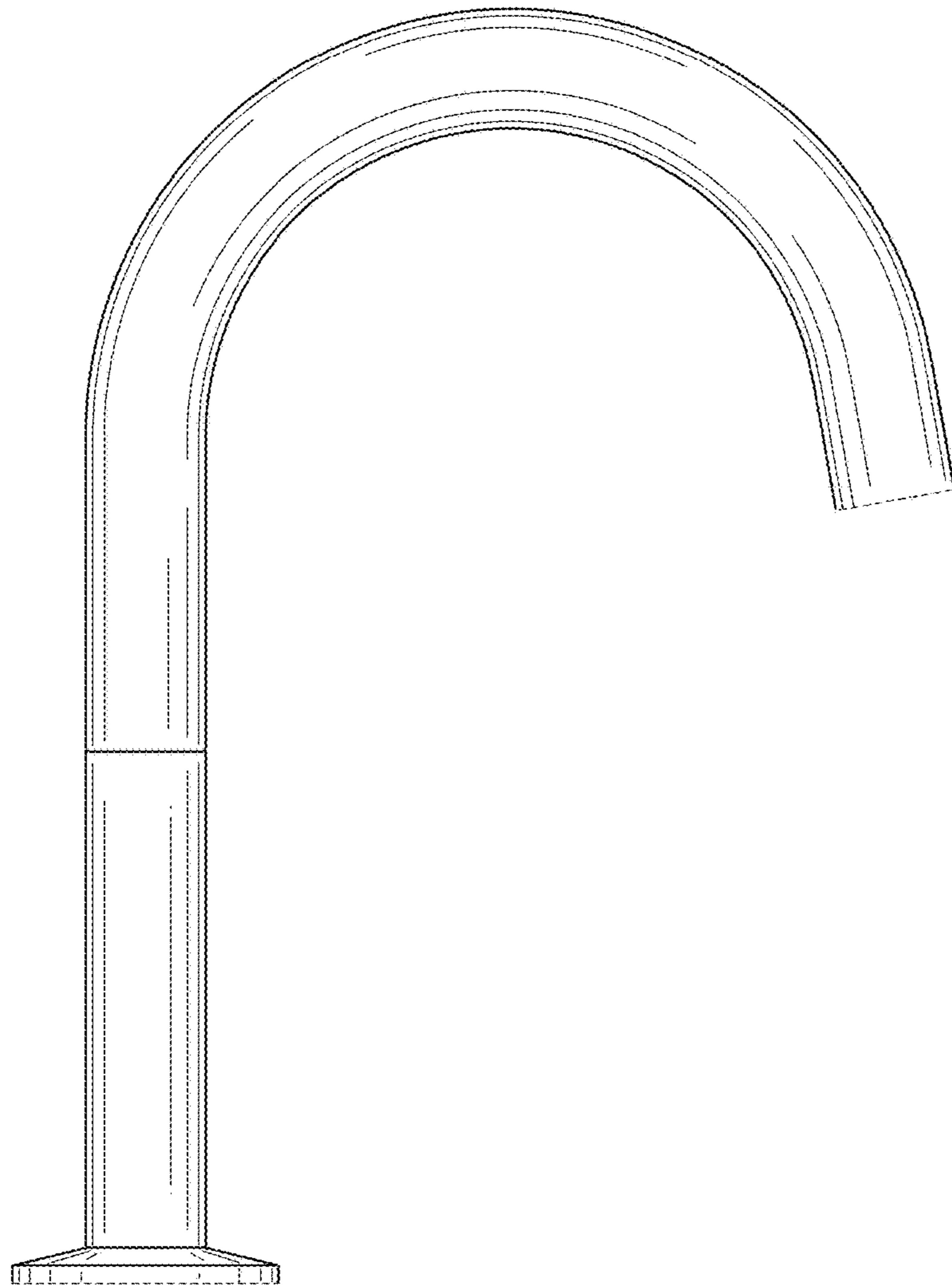


FIG. 3

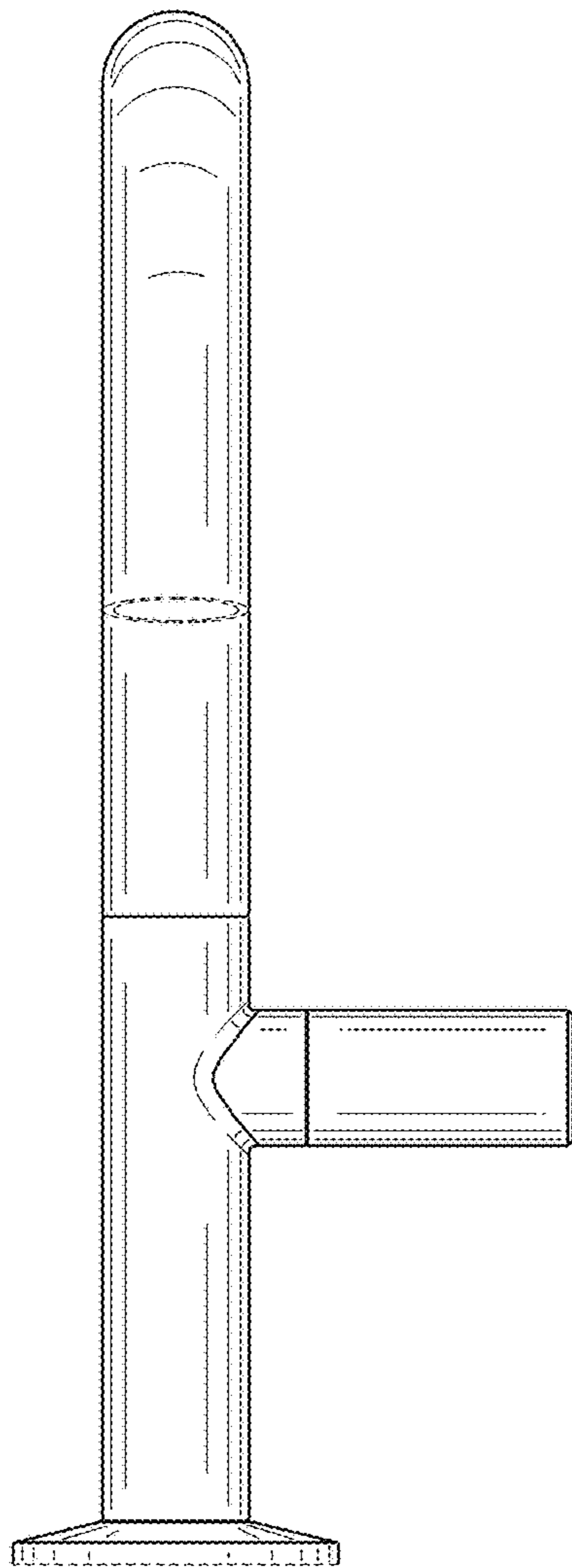


FIG. 4

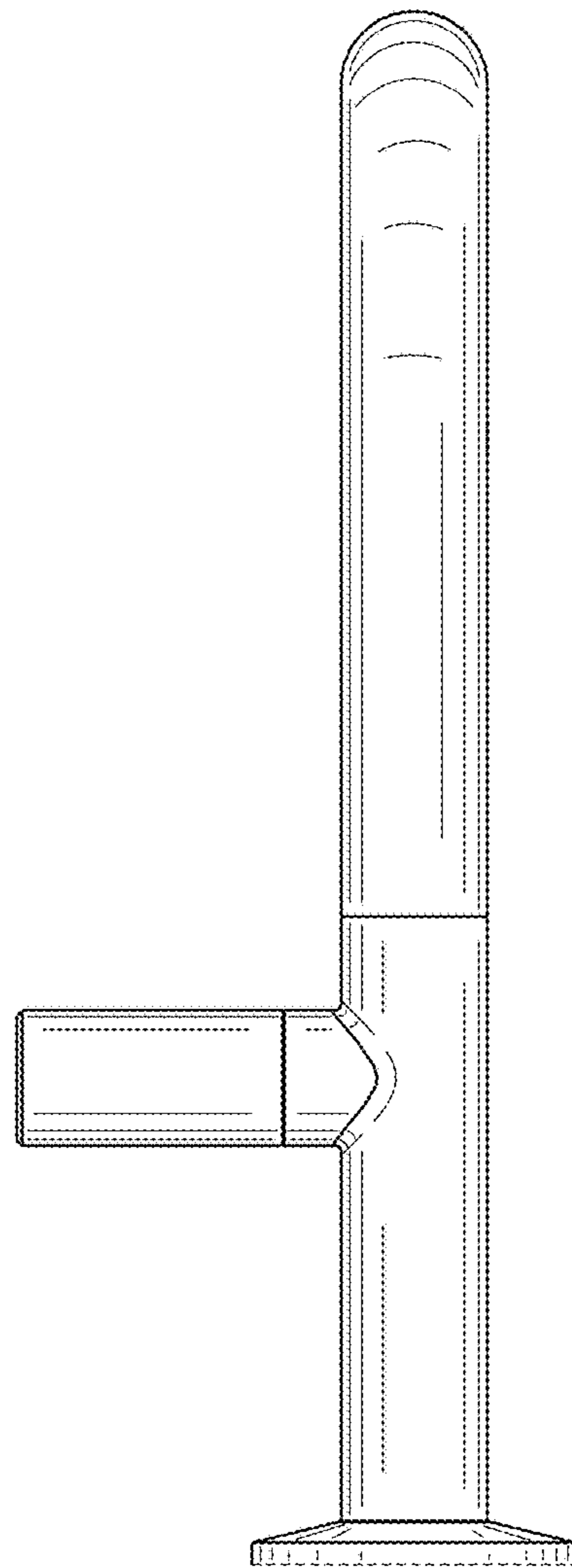


FIG. 5

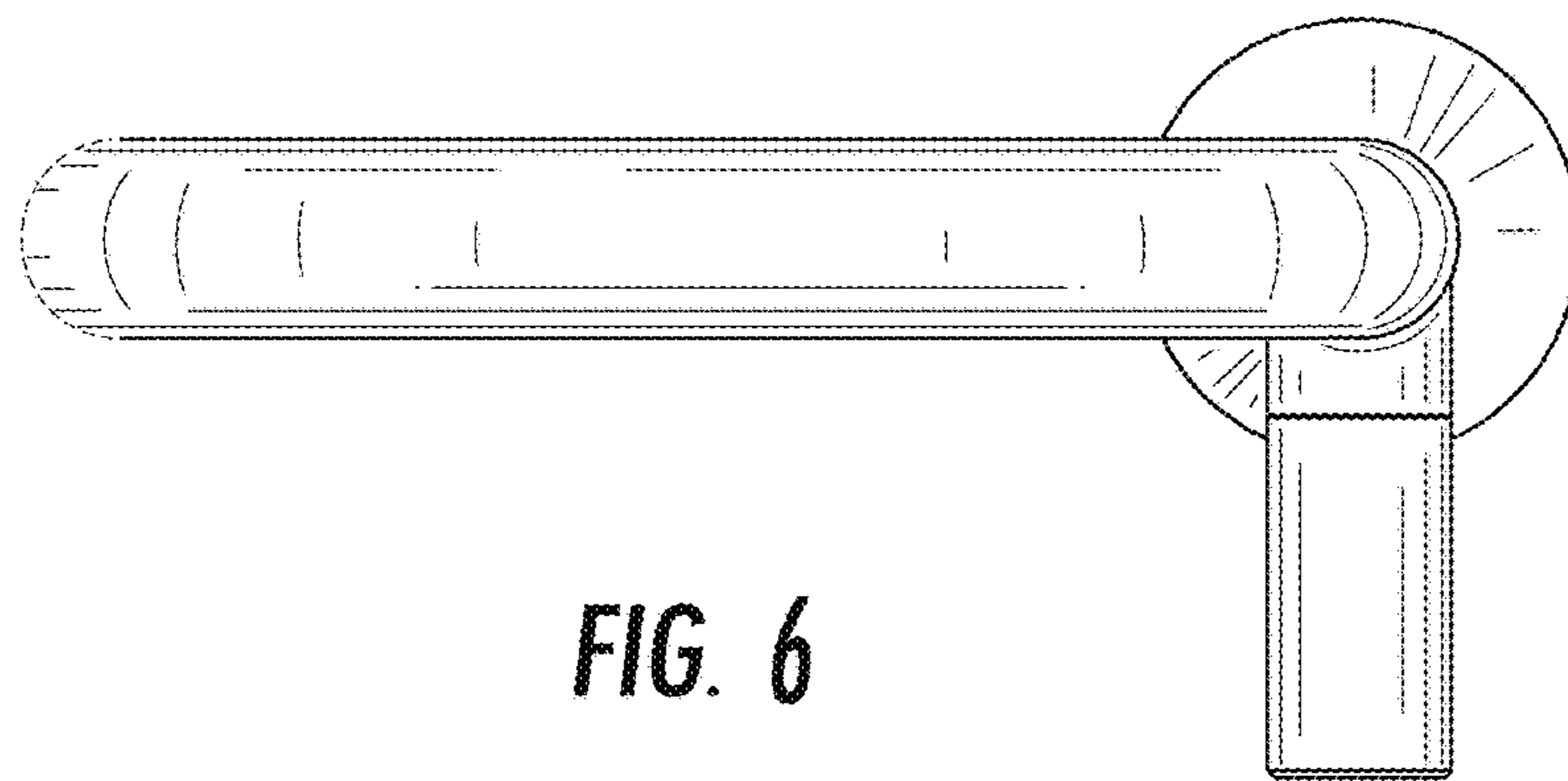


FIG. 6

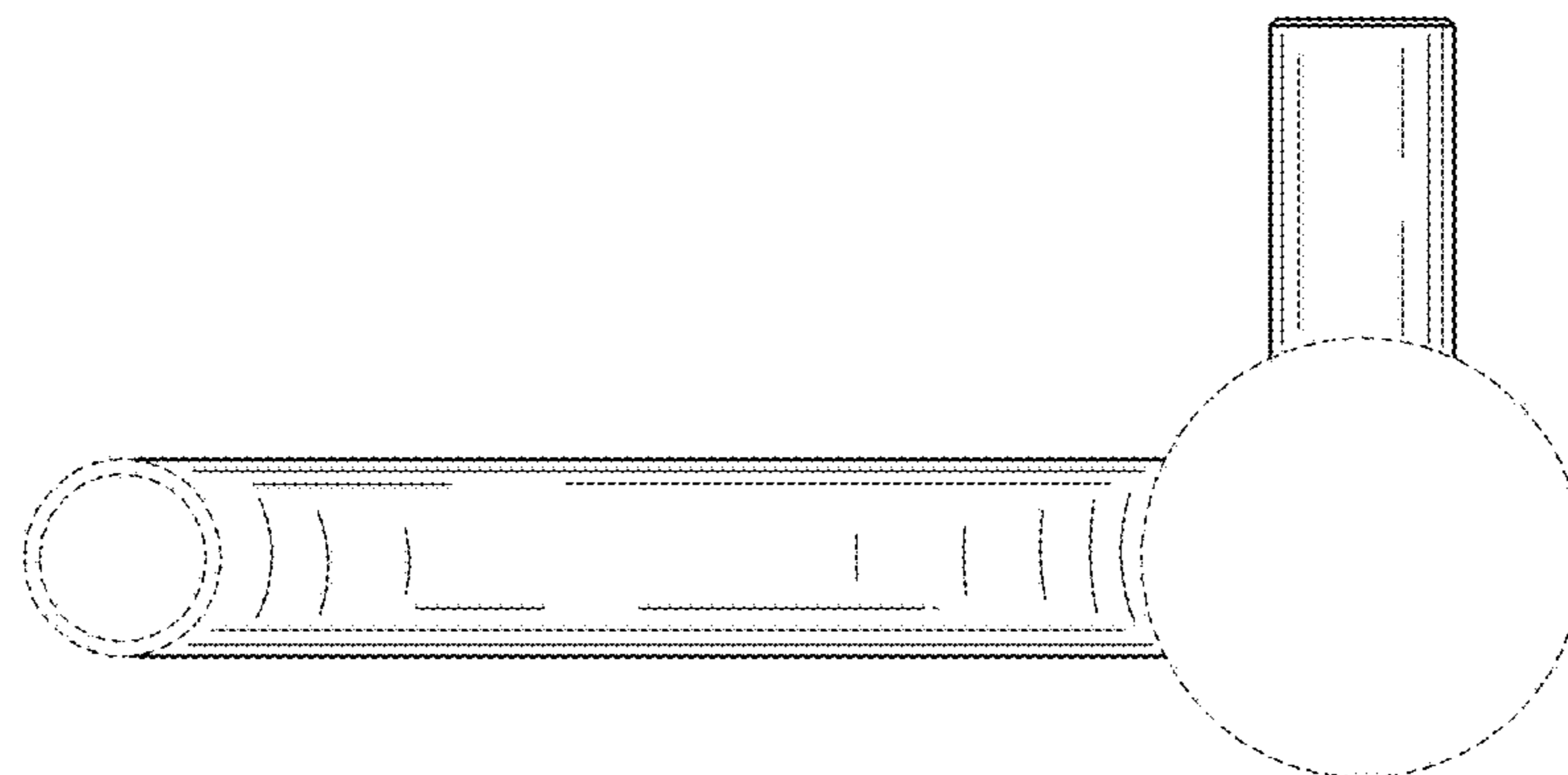


FIG. 7