



US00D844110S

(12) **United States Design Patent** (10) **Patent No.:** **US D844,110 S**  
**Soulier et al.** (45) **Date of Patent:** **\*\* Mar. 26, 2019**

(54) **FAUCET**  
(71) Applicant: **Kohler Co.**, Kohler, WI (US)  
(72) Inventors: **Jean-Hugues Soulier**, Paris (FR);  
**Ferran Serra Sola**, Paris (FR)  
(73) Assignee: **KOHLER CO.**, Kohler, WI (US)  
(\*\*) Term: **15 Years**  
(21) Appl. No.: **29/657,996**  
(22) Filed: **Jul. 26, 2018**

D636,061 S 4/2011 Kulig  
D636,062 S 4/2011 Rubin et al.  
D666,276 S 8/2012 Fritz  
D673,652 S 1/2013 Thomas  
D676,531 S 2/2013 Vibe-Petersen  
D697,589 S 1/2014 Georgeson  
D698,420 S 1/2014 Hahn et al.  
D713,008 S 9/2014 Citterio  
D724,698 S 3/2015 Kulig  
D735,297 S 7/2015 Sieger  
D750,203 S 2/2016 Flowers  
D754,295 S 4/2016 Lord  
D755,350 S 5/2016 Rexach  
D758,545 S 6/2016 Yabu

(Continued)

**Related U.S. Application Data**

(62) Division of application No. 29/641,526, filed on Mar. 22, 2018, which is a division of application No. 29/595,301, filed on Feb. 27, 2017, now Pat. No. Des. 823,441.  
(51) **LOC (11) Cl.** ..... **23-01**  
(52) **U.S. Cl.**  
USPC ..... **D23/238**  
(58) **Field of Classification Search**  
USPC ..... D23/238-243, 249-250, 252, 254-255,  
D23/257; D8/300, 307-308  
CPC ... Y10T 137/9464; E03C 1/04; E03C 1/0401;  
E03C 1/0402; E03C 1/0404; E03C  
1/0405; E03C 1/0412  
See application file for complete search history.

(56) **References Cited**

**U.S. PATENT DOCUMENTS**

D466,977 S 12/2002 Cummings  
D469,157 S 1/2003 Lobermeier  
D479,309 S 9/2003 Haug  
D513,060 S 12/2005 Ouyoung  
D528,189 S 9/2006 Kulig  
D536,065 S 1/2007 Wang  
D571,893 S 6/2008 Celli  
D597,175 S 7/2009 Kulig  
D615,162 S 5/2010 Pan

**OTHER PUBLICATIONS**

NPL\_Allmodern\_Single\_Handle; 6 pgs.  
NPL\_Allmodern\_Single\_Handle\_Bathroom; 6pgs.

*Primary Examiner* — Robert A Delehanty  
(74) *Attorney, Agent, or Firm* — Foley & Lardner LLP

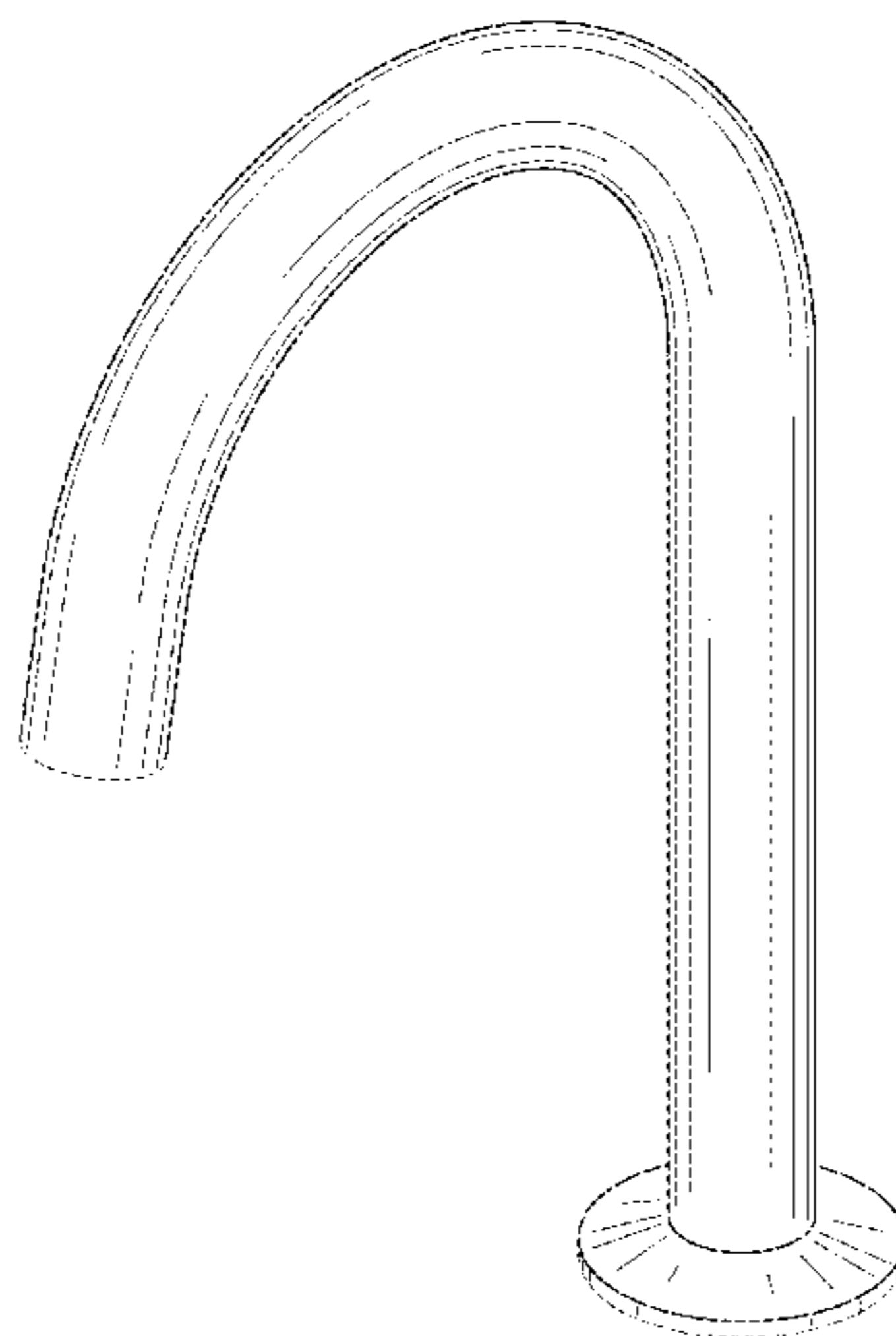
(57) **CLAIM**

We claim the ornamental design for a faucet, as shown and described.

**DESCRIPTION**

FIG. 1 is a top, front, right perspective view of an embodiment of the claimed design;  
FIG. 2 is a right side elevation view thereof;  
FIG. 3 is a left side elevation view thereof;  
FIG. 4 is a front elevation view thereof;  
FIG. 5 is a rear elevation view thereof;  
FIG. 6 is a top plan view thereof; and,  
FIG. 7 is a bottom plan view thereof.  
The ornamental design which is claimed is shown in solid lines in the drawings. The broken lines in the drawings are for illustrative purposes only and form no part of the claimed design. Broken lines formed by equal length dashes show unclaimed subject matter.

**1 Claim, 5 Drawing Sheets**



(56)

**References Cited**

U.S. PATENT DOCUMENTS

D767,724 S	9/2016	Flowers
D771,224 S	11/2016	Flowers
D787,020 S	5/2017	Ziemann
D803,989 S	11/2017	Flowers
D807,476 S	1/2018	Haug
D811,532 S	2/2018	Schoenherr
D811,552 S	2/2018	Fritz
D813,988 S	3/2018	Schoenherr

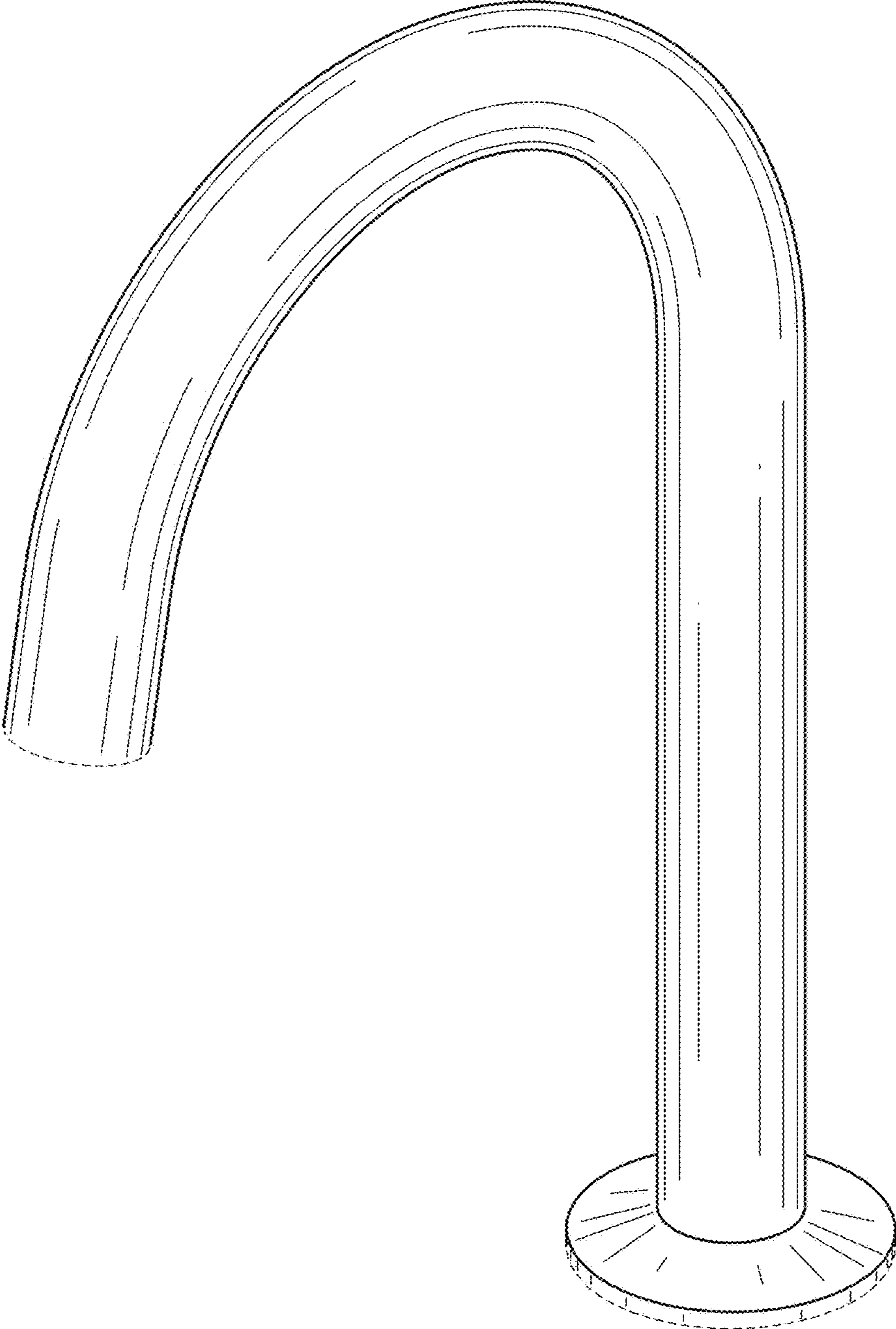


FIG. 1

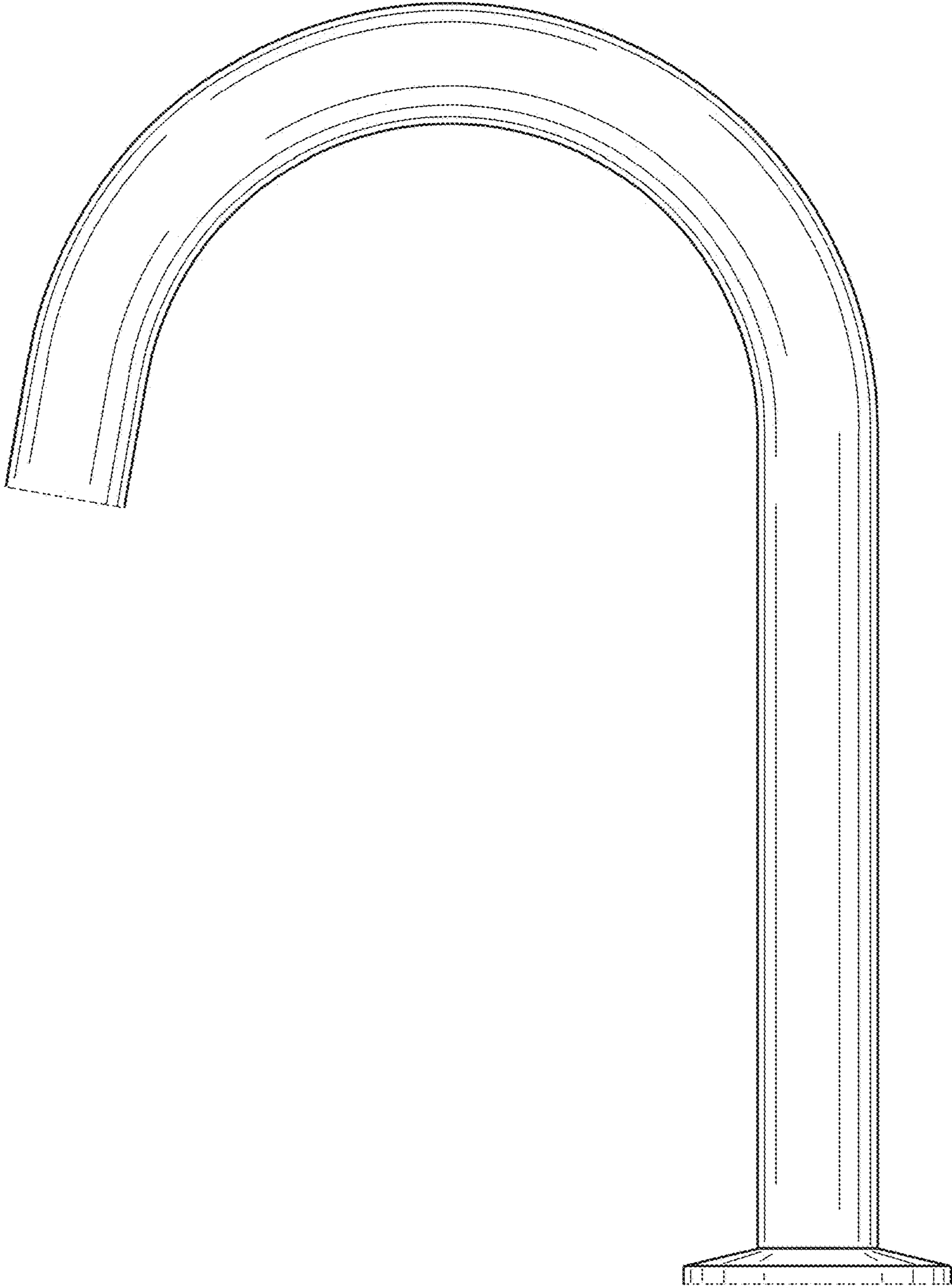


FIG. 2

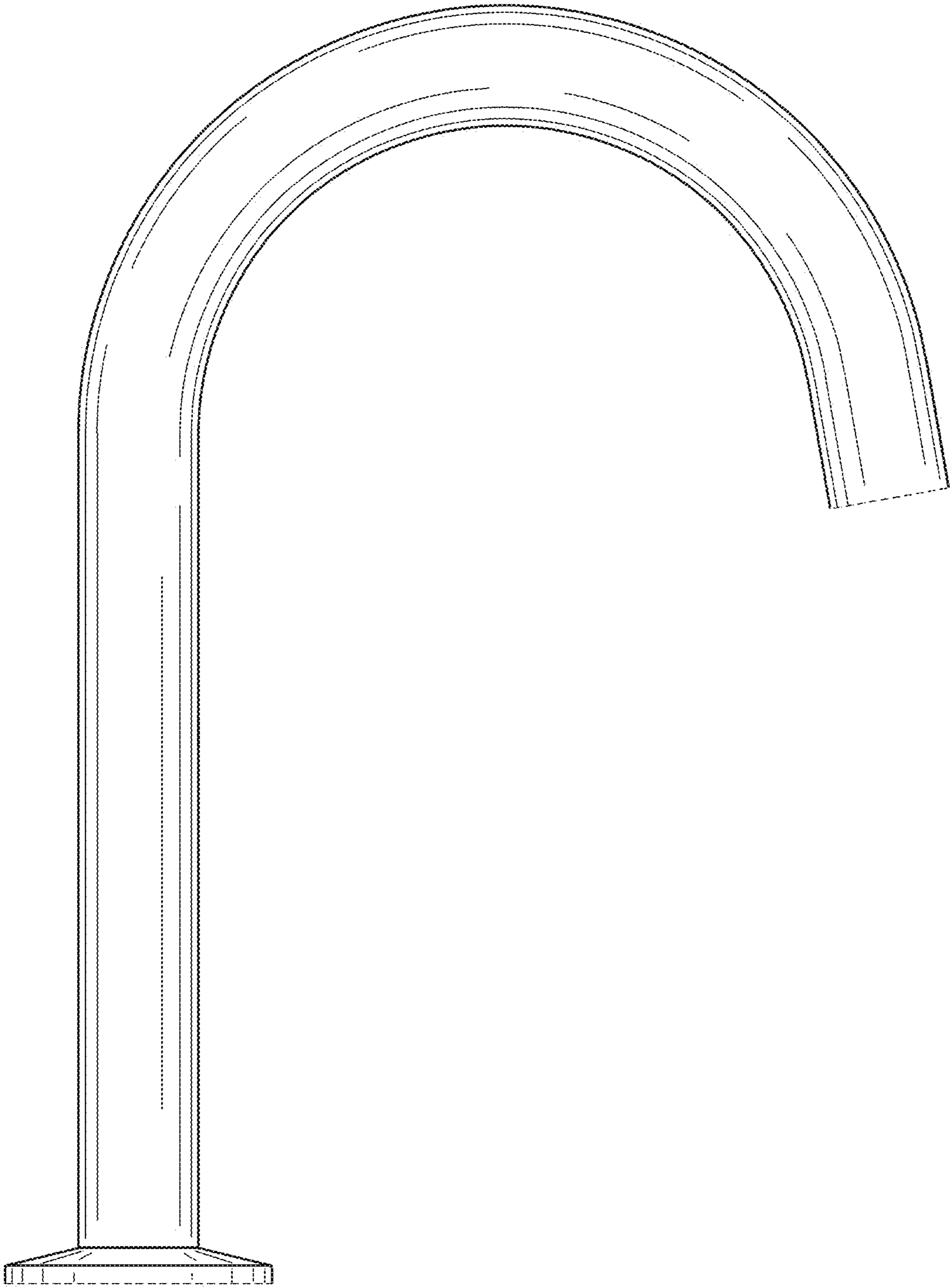


FIG. 3

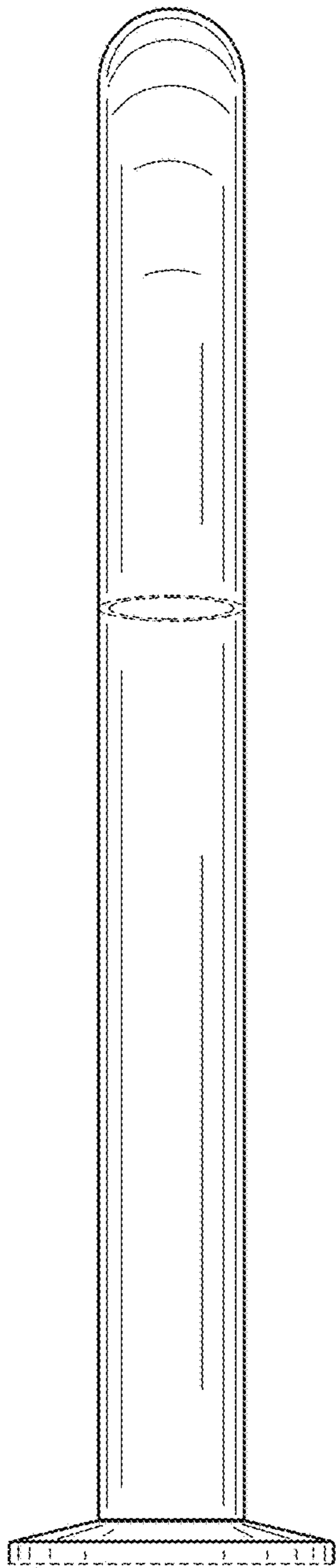


FIG. 4

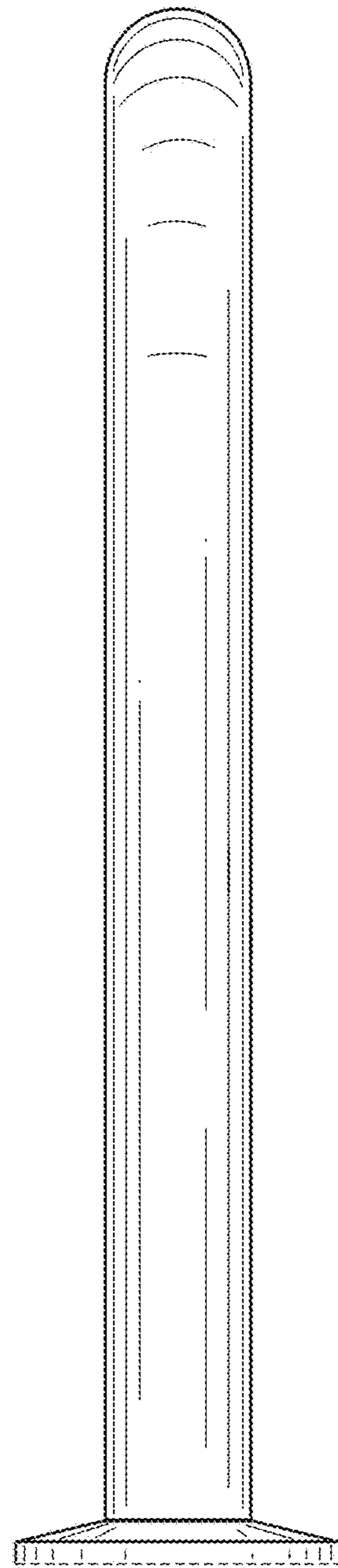


FIG. 5

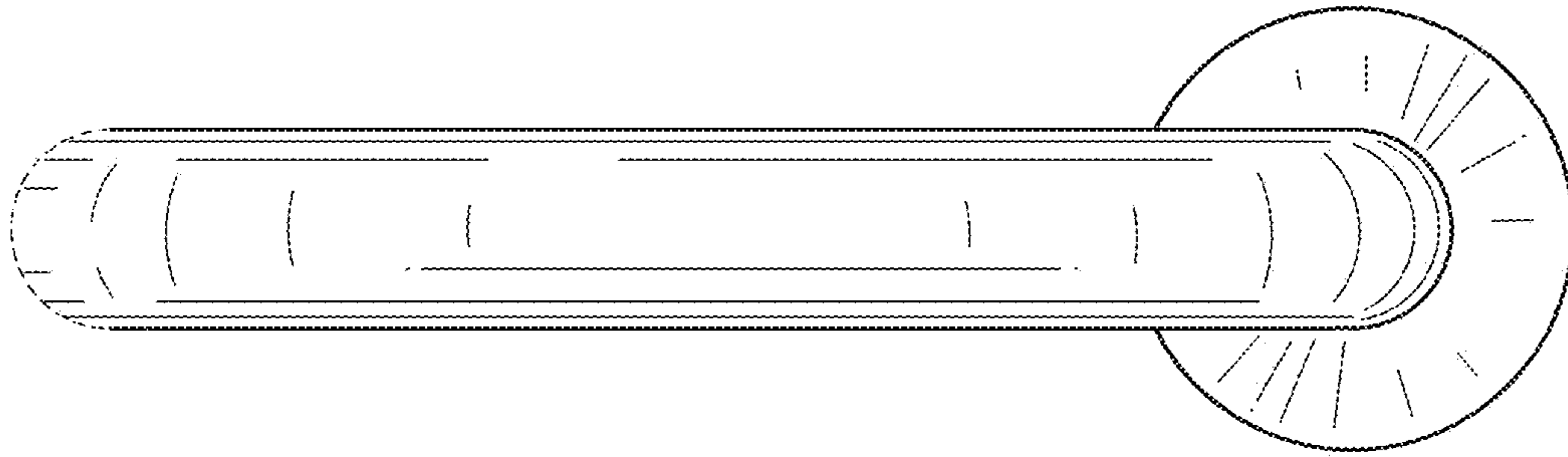


FIG. 6

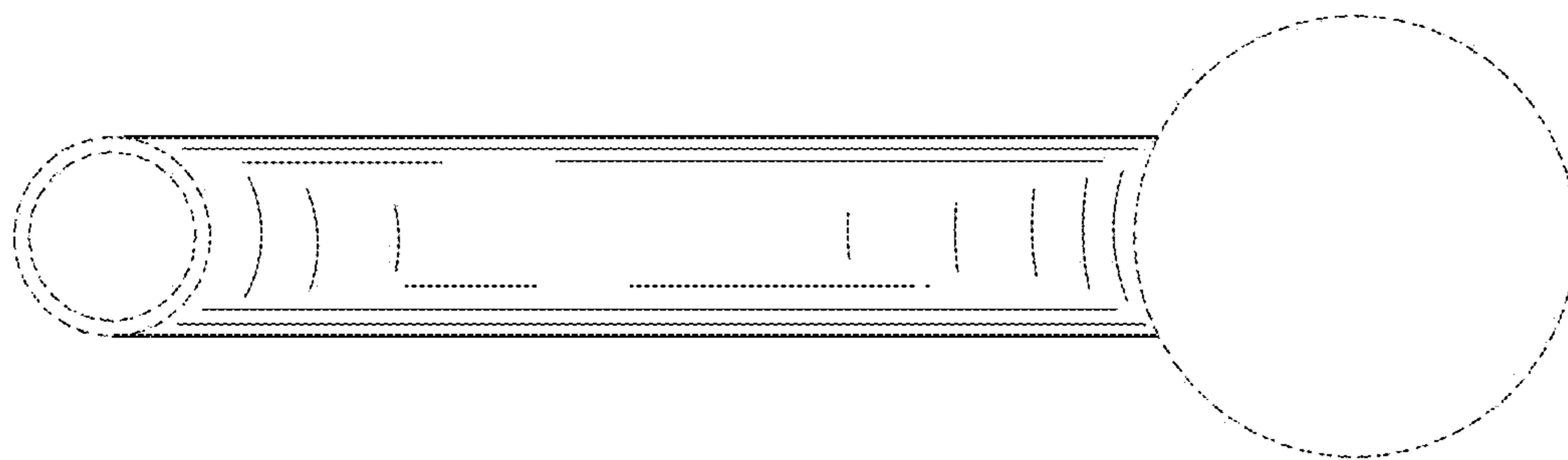


FIG. 7