



US00D844109S

(12) **United States Design Patent**
Rexach

(10) **Patent No.:** **US D844,109 S**
(45) **Date of Patent:** **** Mar. 26, 2019**

(54) **FAUCET**

(71) Applicant: **Kohler Co.**, Kohler, WI (US)

(72) Inventor: **Rafael A. Rexach**, Sheboygan, WI (US)

(73) Assignee: **KOHLER CO.**, Kohler, WI (US)

(**) Term: **15 Years**

(21) Appl. No.: **29/655,421**

(22) Filed: **Jul. 3, 2018**

Related U.S. Application Data

(62) Division of application No. 29/625,251, filed on Nov. 8, 2017, now Pat. No. Des. 825,035, which is a division of application No. 29/603,050, filed on May 5, 2017, now Pat. No. Des. 805,611, and a division of application No. 29/536,259, filed on Aug. 14, 2015, now Pat. No. Des. 786,409.

(51) **LOC (11) Cl.** **23-01**

(52) **U.S. Cl.**
USPC **D23/238**

(58) **Field of Classification Search**

USPC D23/238-240, 249-250, 252, 255, 257, D23/223, 226, 228
CPC E03C 1/04; E03C 1/0401; E03C 1/0402; E03C 1/0404; F16K 31/602; F16K 31/605; F16K 31/607

See application file for complete search history.

(56) **References Cited**

U.S. PATENT DOCUMENTS

D522,614 S	6/2006	Ko
D525,344 S	7/2006	Schaffeld
D533,256 S	12/2006	Schaffeld
D534,620 S	1/2007	Zhou
D534,990 S	1/2007	Zhou
D550,326 S	9/2007	Huang
D557,380 S	12/2007	Shieh
D587,343 S	2/2009	Nobili
D652,489 S	1/2012	Bosio
D657,024 S	4/2012	Bosio
D698,424 S	1/2014	Georgeson
D758,546 S	6/2016	Rexach
D767,726 S	9/2016	Mazz

Primary Examiner — Robert A Delehanty

(74) *Attorney, Agent, or Firm* — Foley & Lardner LLP

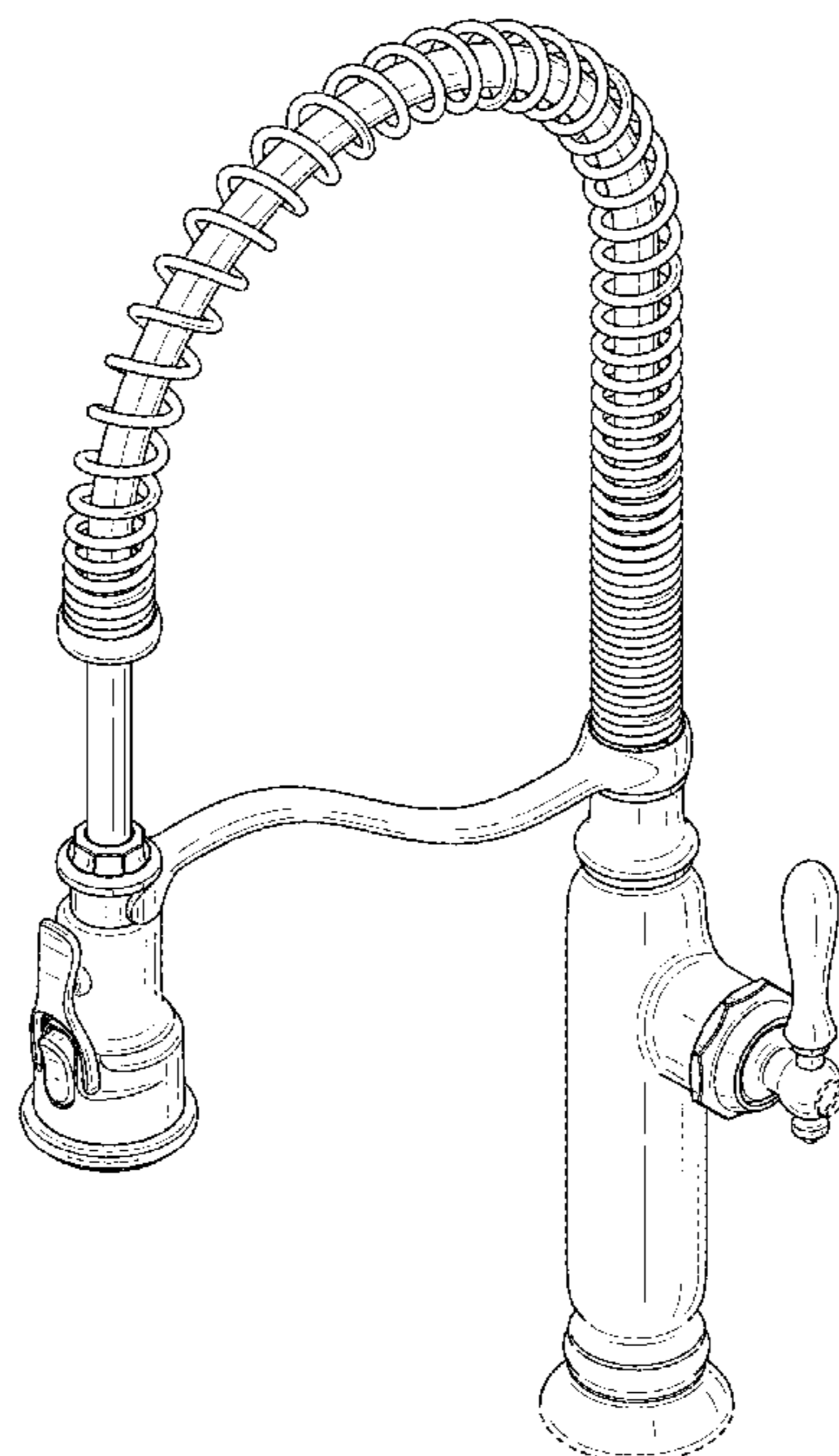
(57) **CLAIM**

I claim the ornamental design for a faucet, as shown and described.

DESCRIPTION

FIG. 1 is a top, front, right perspective view of an embodiment of the claimed design;
FIG. 2 is a right elevation view thereof;
FIG. 3 is a left elevation view thereof;
FIG. 4 is a front elevation thereof;
FIG. 5 is a rear elevation thereof;
FIG. 6 is a top plan thereof; and,
FIG. 7 is a bottom plan thereof.
The ornamental design which is claimed is shown in solid lines in the drawings. The broken lines in the drawings form no part of the claimed design. Broken lines formed by equal length dashes show unclaimed subject matter.

1 Claim, 5 Drawing Sheets



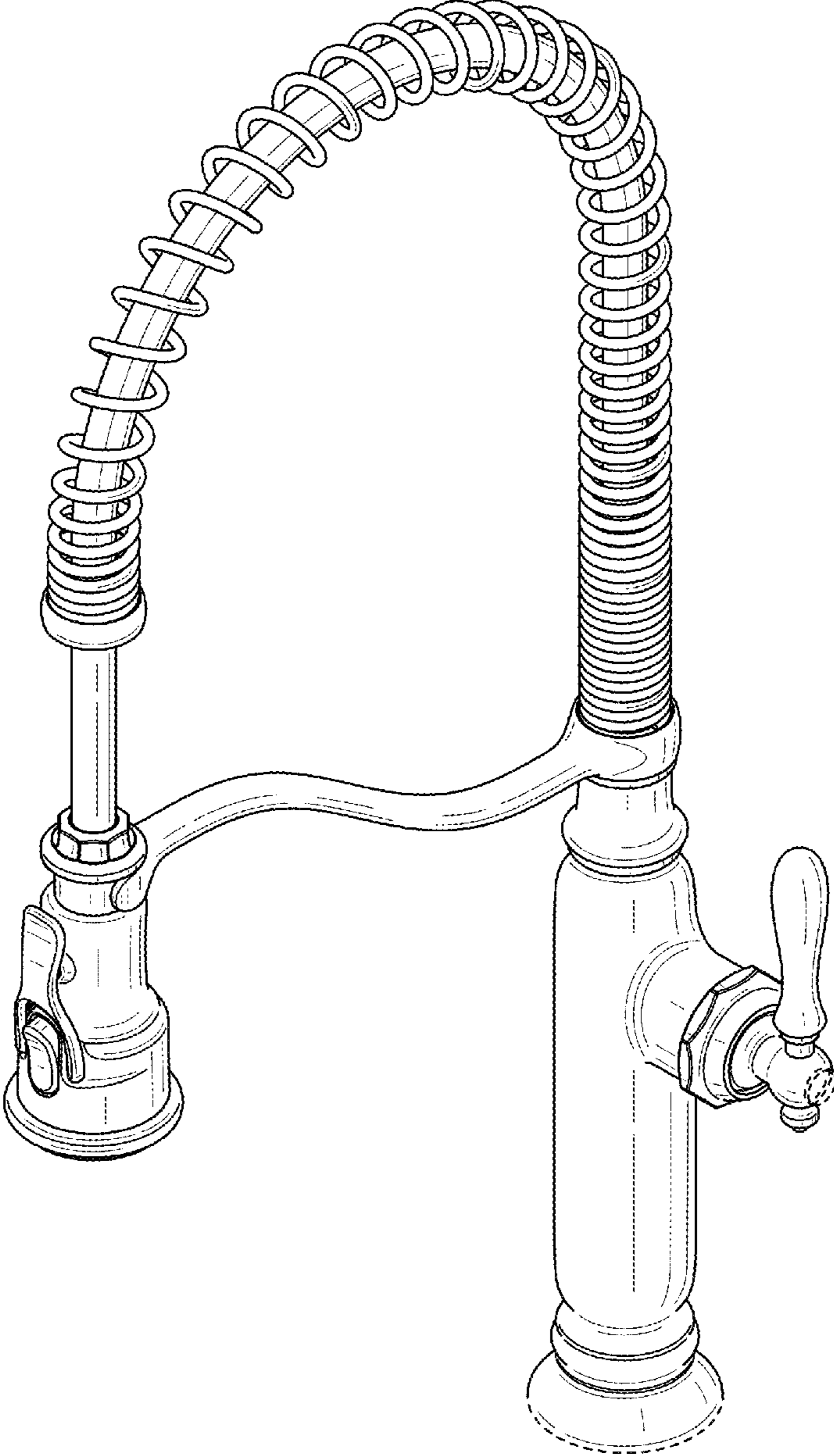


FIG. 1

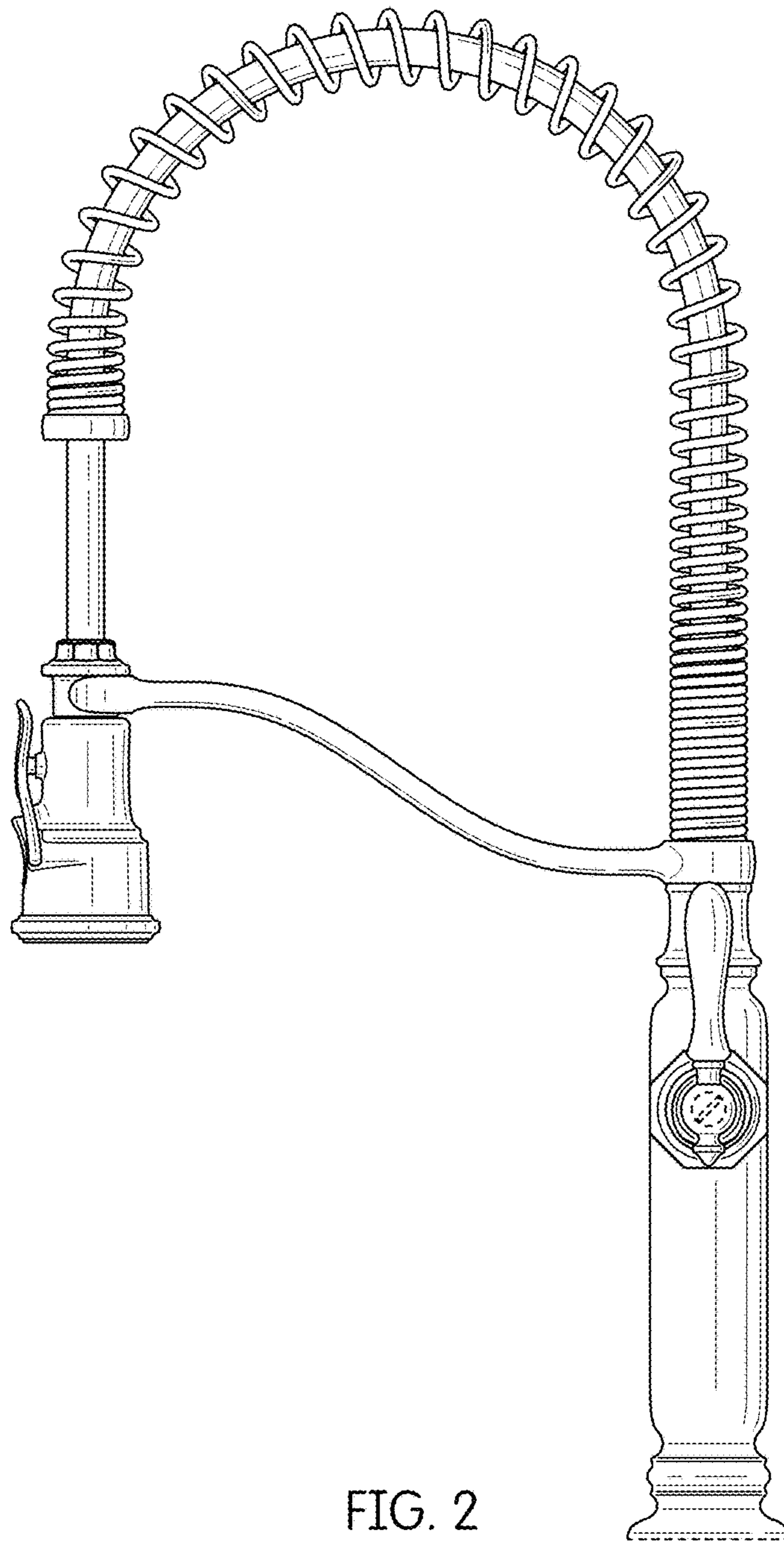


FIG. 2

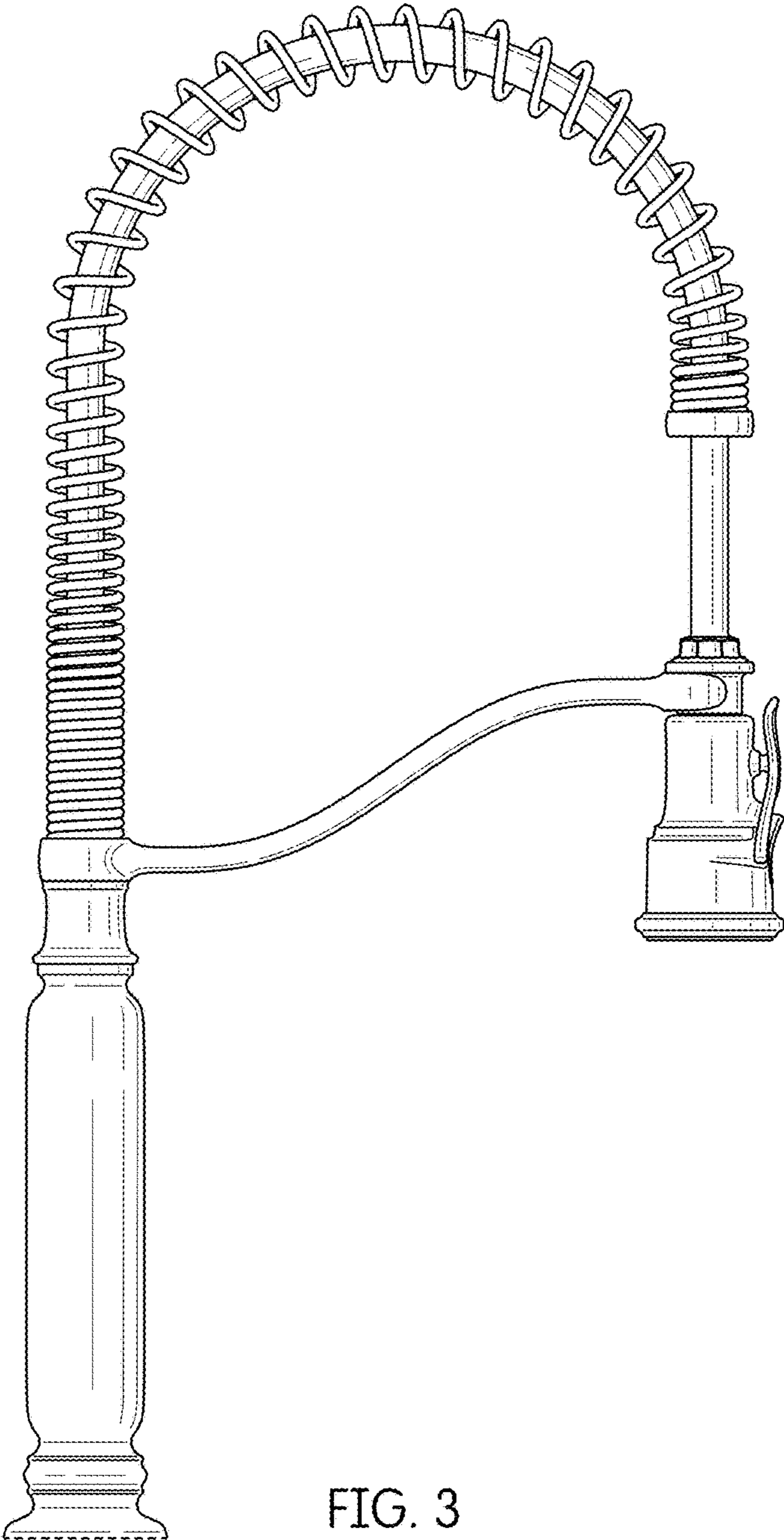


FIG. 3

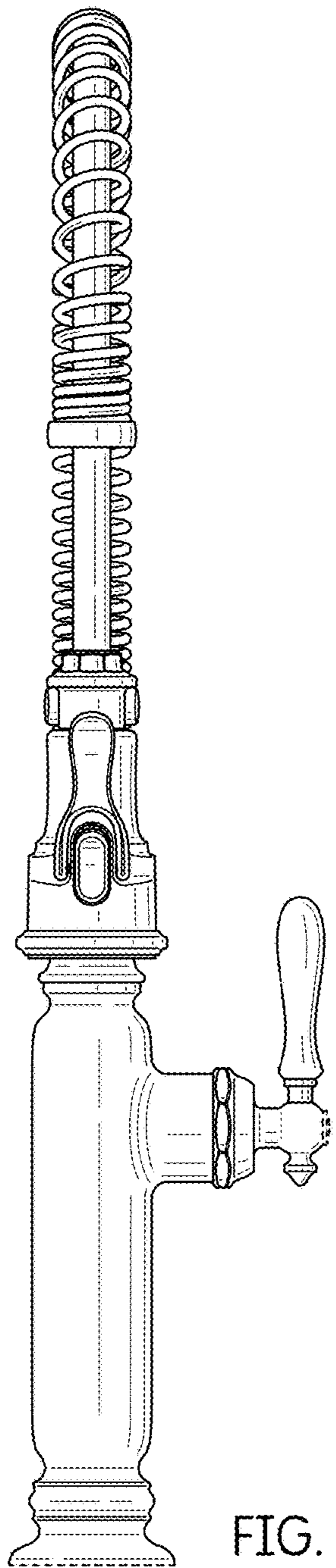


FIG. 4

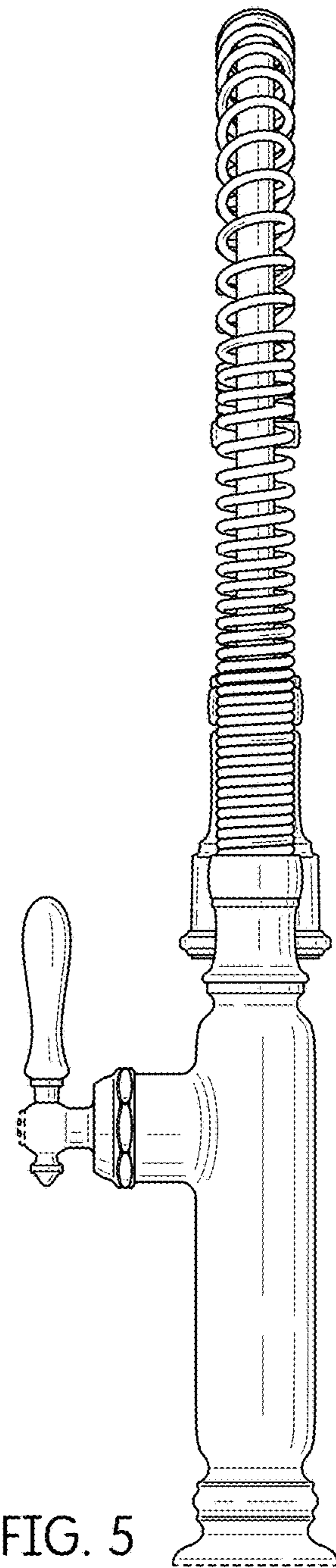


FIG. 5

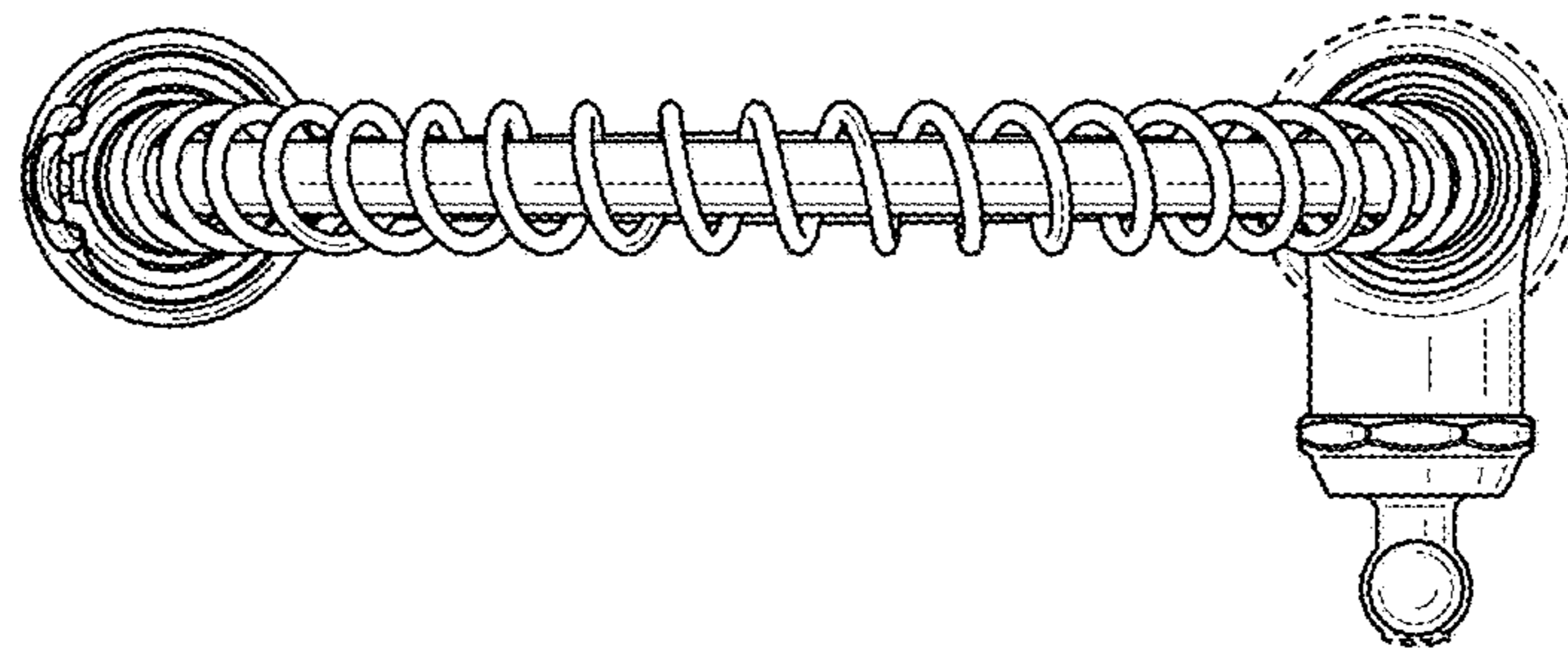


FIG. 6

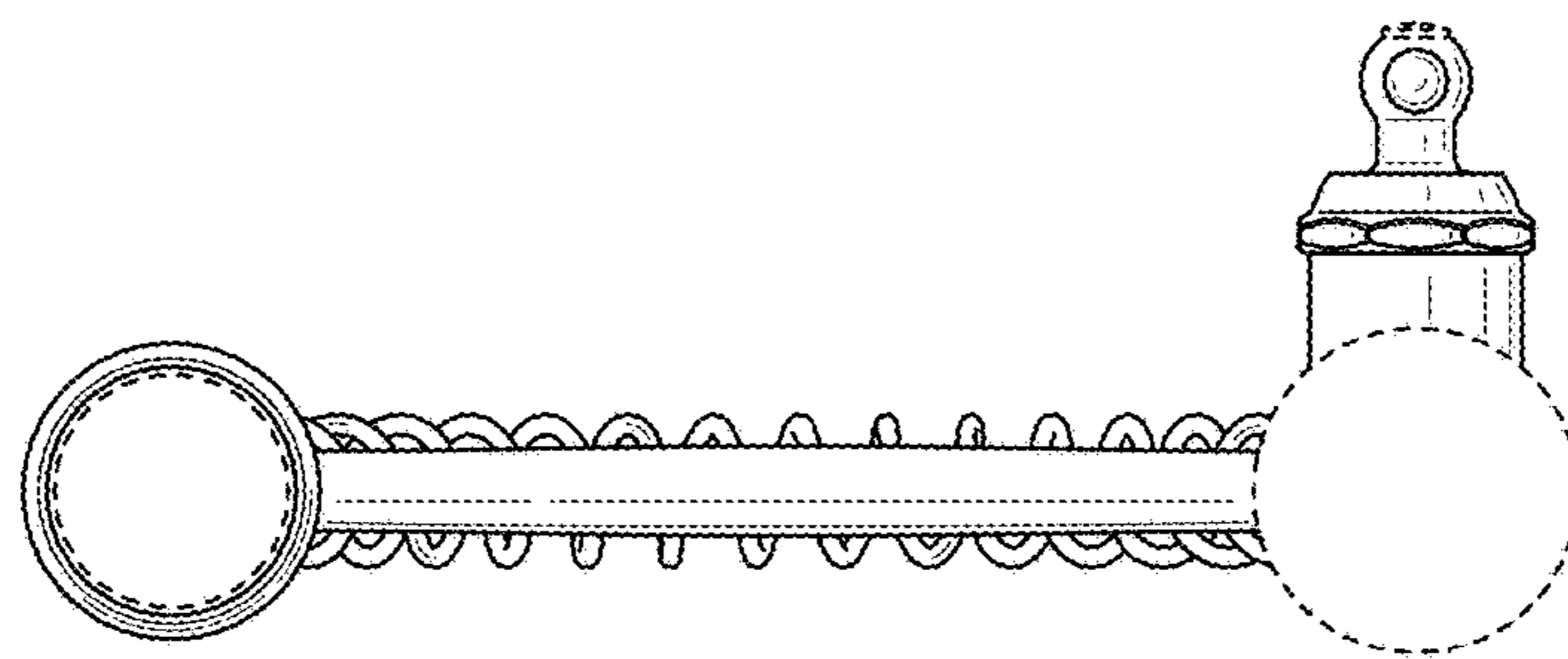


FIG. 7