

US00D844107S

(12) **United States Design Patent**
Ito et al.

(10) **Patent No.:** **US D844,107 S**

(45) **Date of Patent:** **** *Mar. 26, 2019**

(54) **REGULATOR**

FOREIGN PATENT DOCUMENTS

(71) Applicant: **SMC CORPORATION**, Tokyo (JP)

JP D1340099 S 9/2008

JP D1340379 S 9/2008

(72) Inventors: **Shinichi Ito**, Toride (JP); **Michihiro Hanada**, Tsukubamirai (JP)

JP D1430996 S 1/2012

JP D1430997 S 1/2012

JP D1430998 S 1/2012

(73) Assignee: **SMC CORPORATION**, Tokyo (JP)

* cited by examiner

(*) Notice: This patent is subject to a terminal disclaimer.

Primary Examiner — Antoine Duval Davis

(74) *Attorney, Agent, or Firm* — Birch, Stewart, Kolasch & Birch, LLP

(**) Term: **15 Years**

(21) Appl. No.: **29/619,227**

(22) Filed: **Sep. 27, 2017**

(57) **CLAIM**

(30) **Foreign Application Priority Data**

The ornamental design for a regulator, as shown.

Mar. 28, 2017 (JP) 2017-006324

(51) **LOC (11) Cl.** **23-01**

(52) **U.S. Cl.**

USPC **D23/233**

(58) **Field of Classification Search**

USPC D10/83, 85, 96; D23/233

CPC .. F16K 31/0655; F16K 31/0668; F16K 3/265;

G05D 7/0635; Y10T 137/7782

See application file for complete search history.

DESCRIPTION

FIG. 1 is a front, top and left side perspective view of a regulator showing our new design;

FIG. 2 is a rear, bottom and right side perspective view thereof;

FIG. 3 is a front view thereof;

FIG. 4 is a rear view thereof;

FIG. 5 is a top plan view thereof;

FIG. 6 is a bottom plan view thereof;

FIG. 7 is a left side view thereof; and,

FIG. 8 is a right side view thereof.

(56) **References Cited**

U.S. PATENT DOCUMENTS

D820,955 S * 6/2018 Ito D23/235

D820,956 S * 6/2018 Ito D23/235

1 Claim, 8 Drawing Sheets

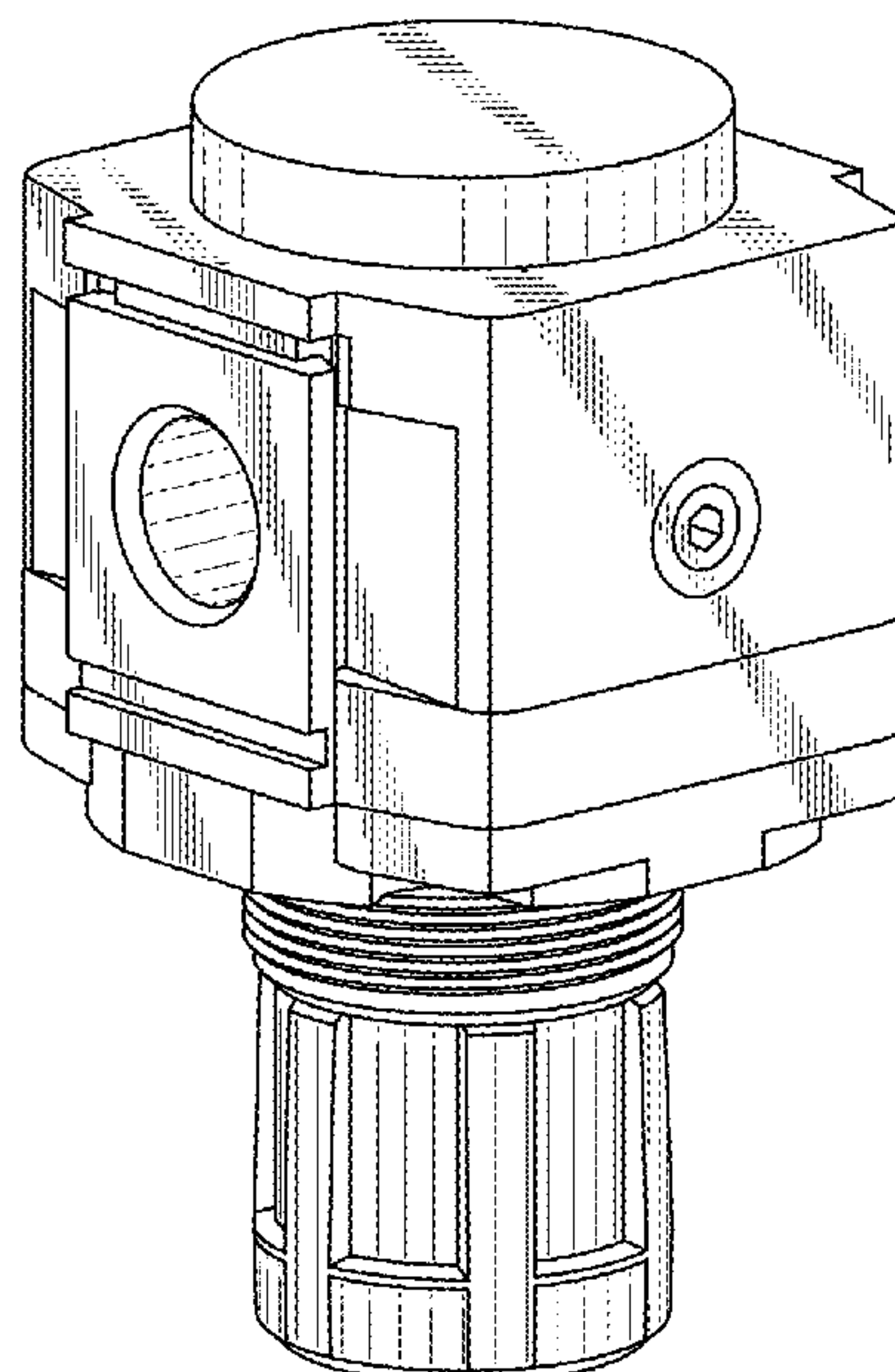


FIG. 1

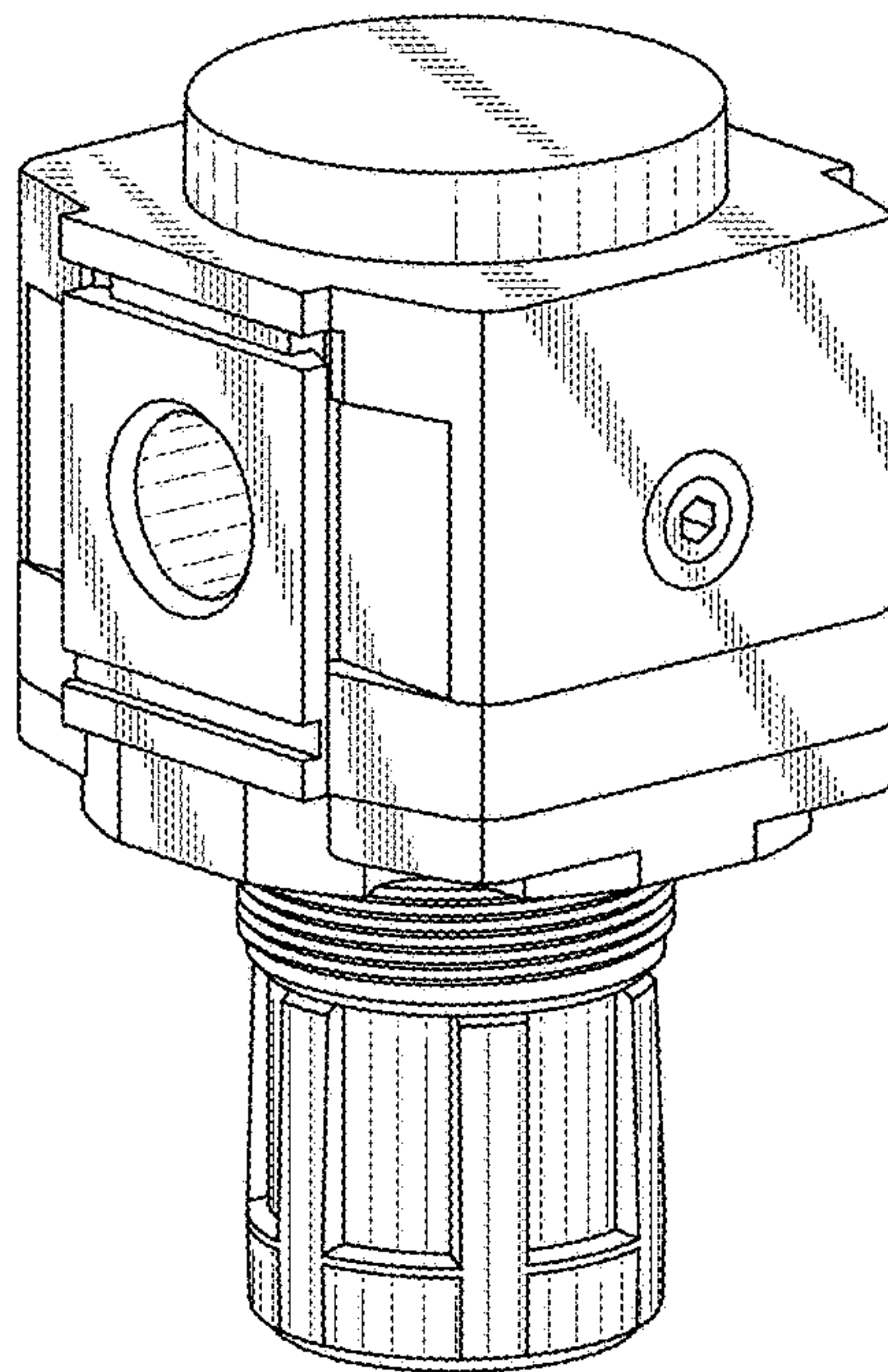


FIG. 2

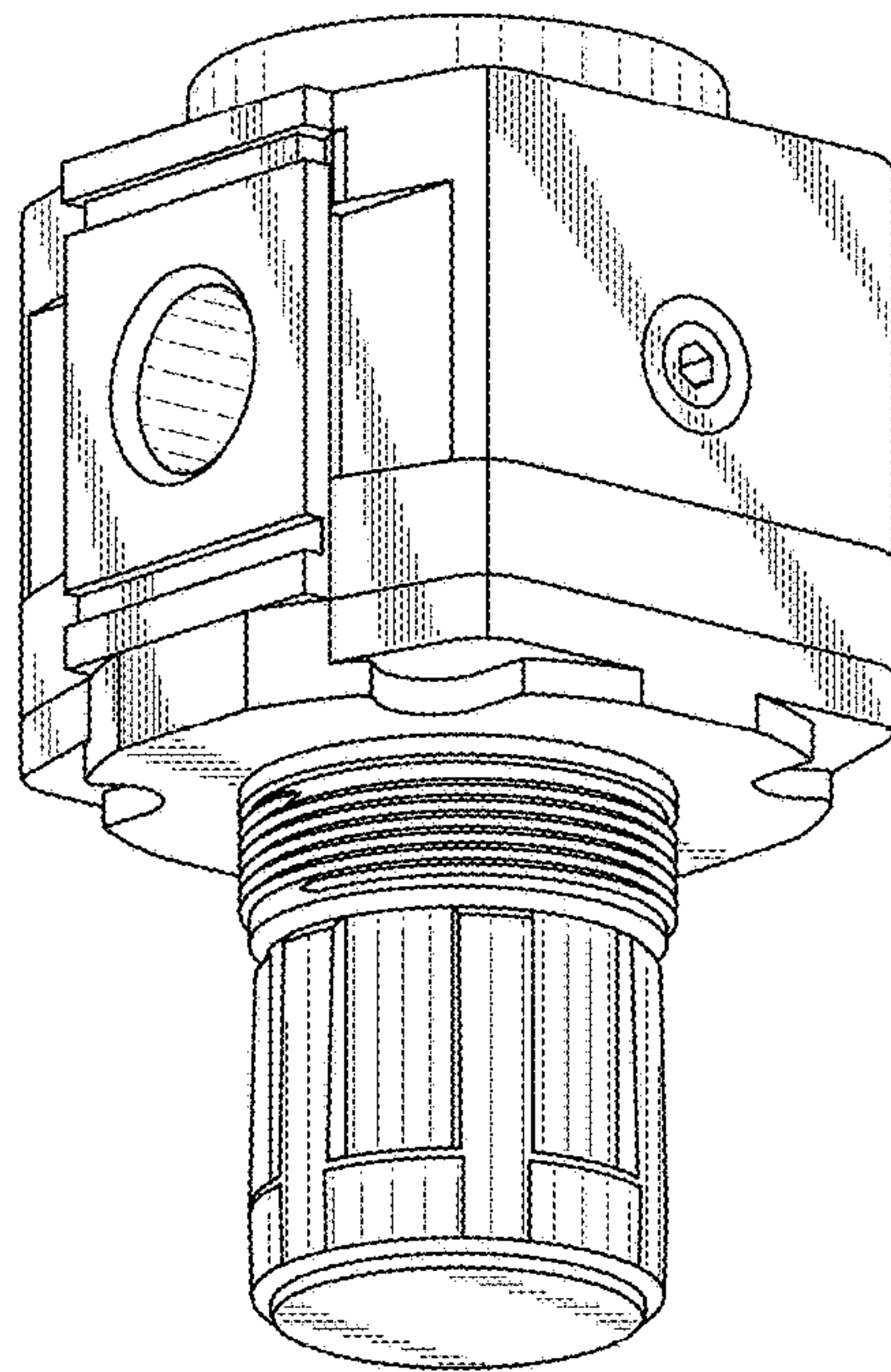


FIG. 3

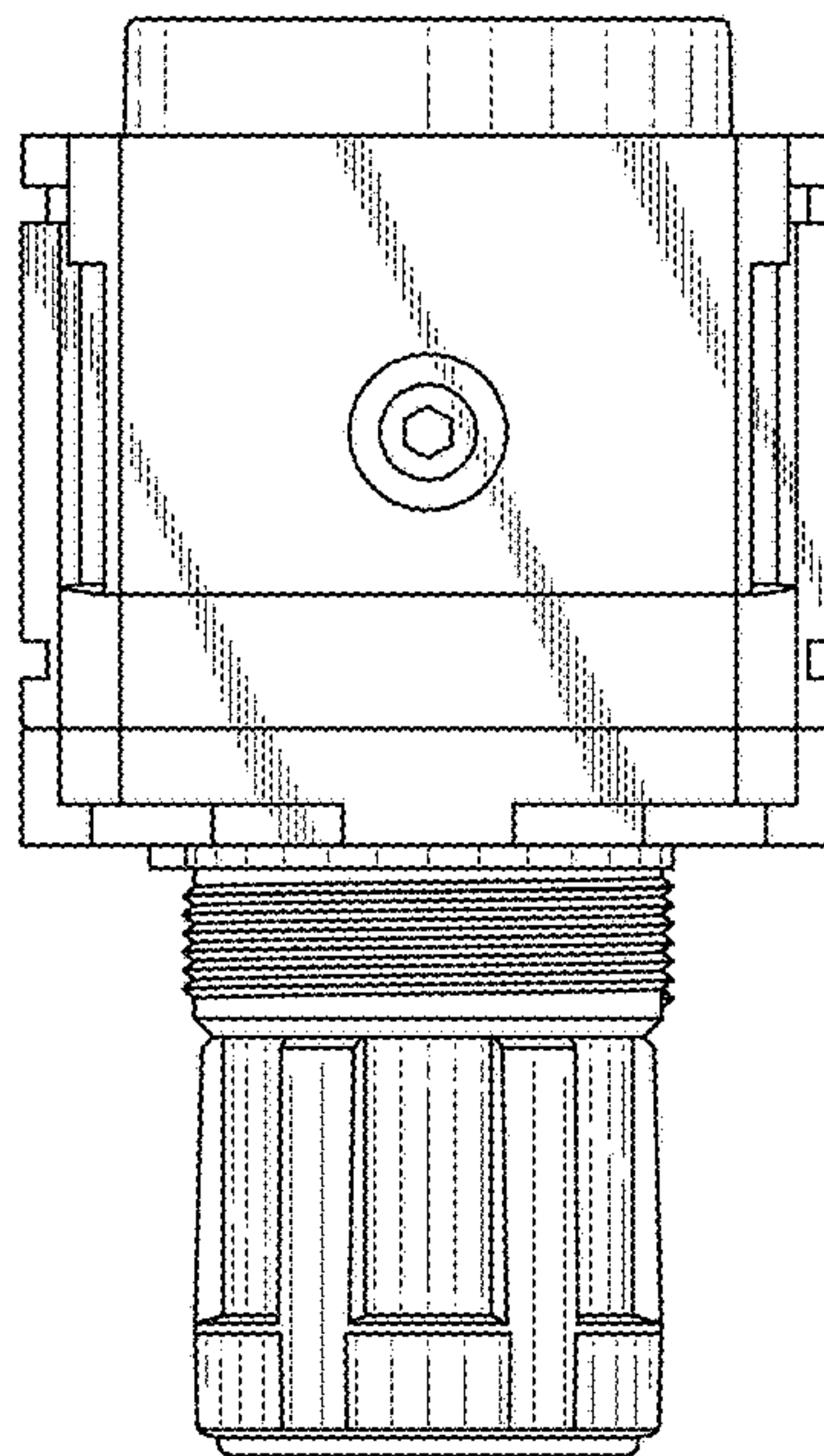


FIG. 4

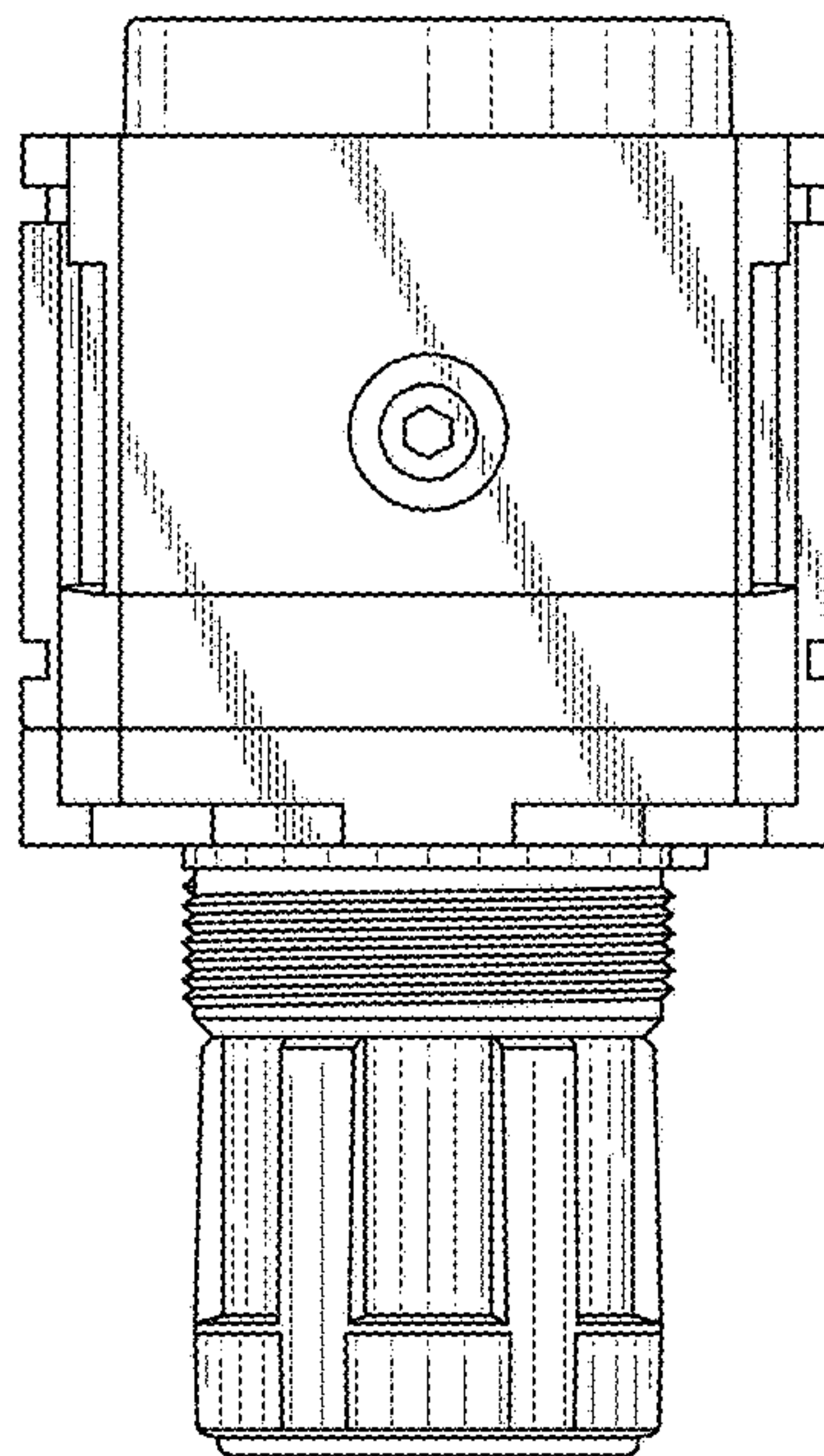


FIG. 5

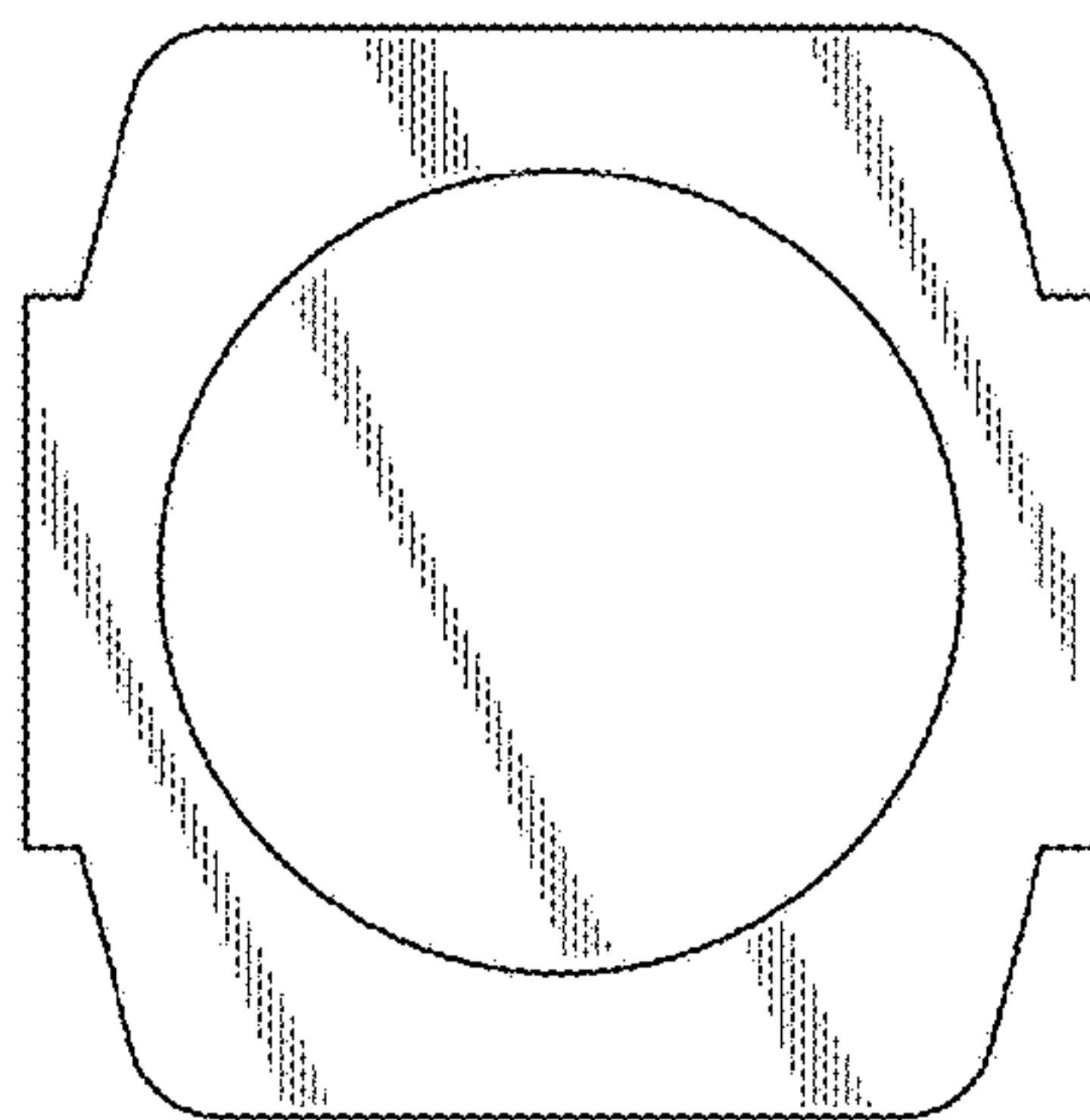


FIG. 6

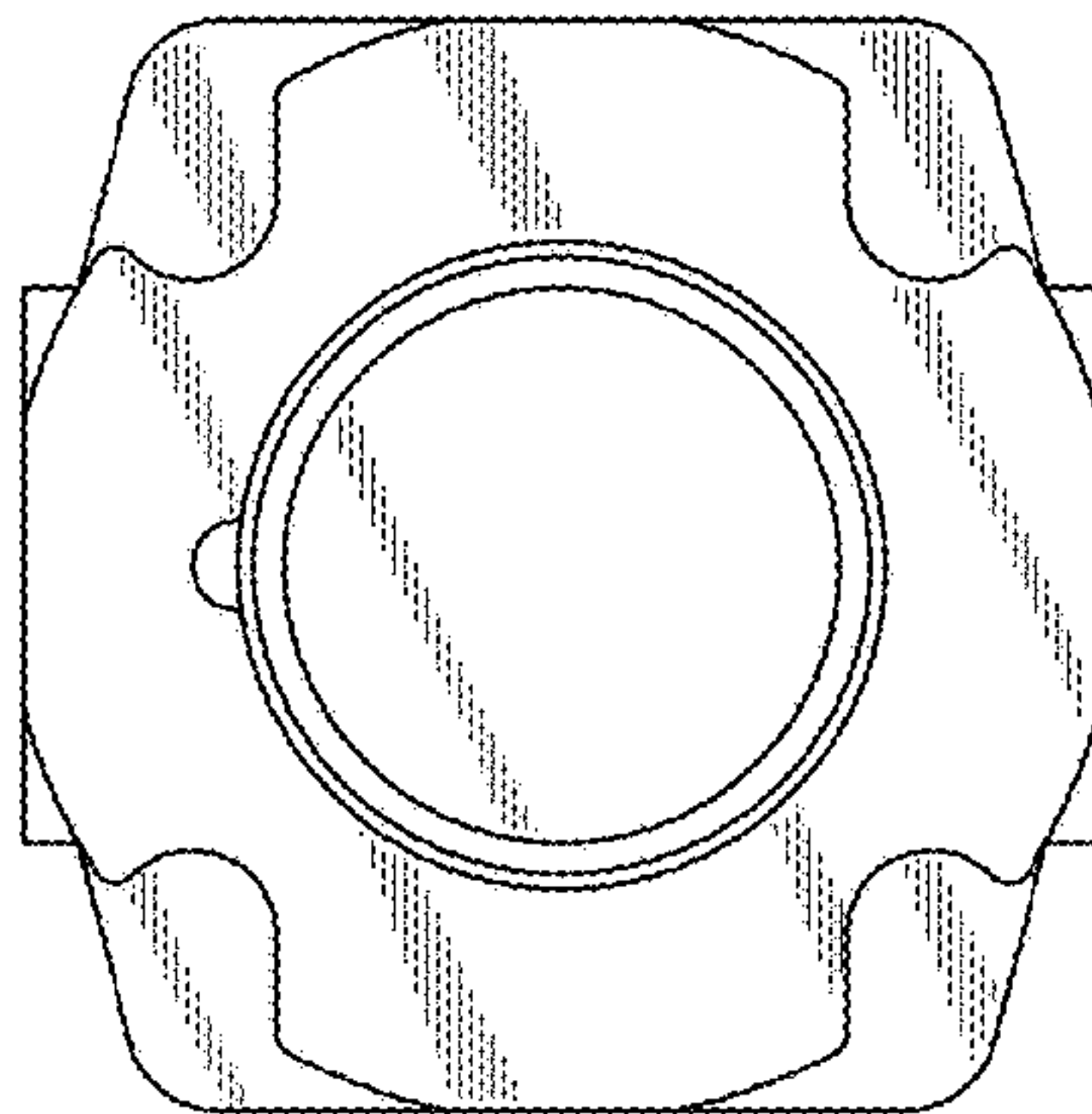


FIG. 7

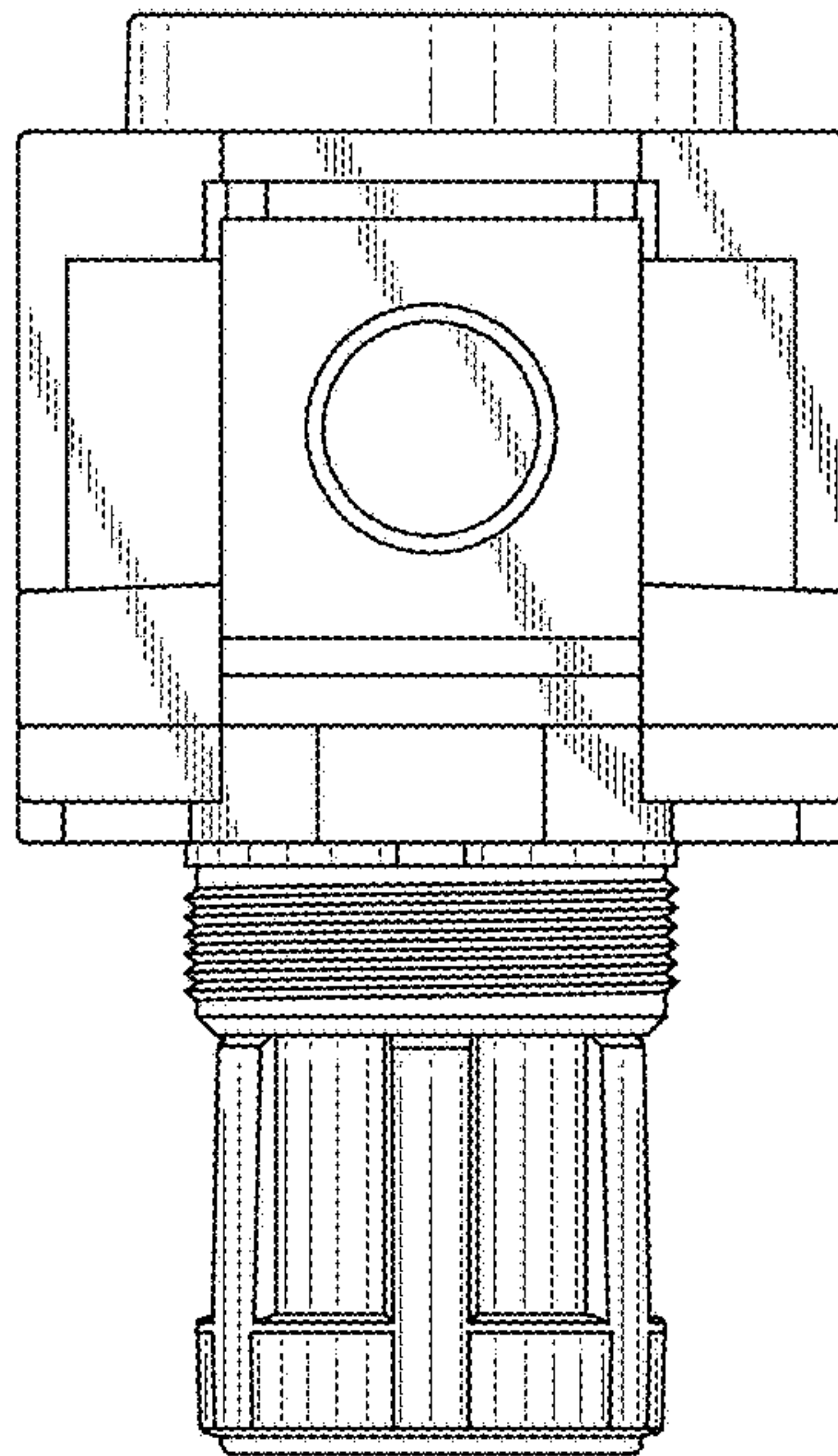


FIG. 8

