



US00D844105S

(12) **United States Design Patent**  
**Lo**

(10) **Patent No.:** **US D844,105 S**  
(45) **Date of Patent:** **\*\* \*Mar. 26, 2019**

(54) **SPRINKLER**  
(71) Applicant: **YUAN-MEI CORP.**, Changhua County (TW)  
(72) Inventor: **Shun-Nan Lo**, Changhua County (TW)  
(73) Assignee: **Yuan-Mei Corp.**, Changhua (TW)  
(\* ) Notice: This patent is subject to a terminal disclaimer.  
(\*\*) Term: **15 Years**

7,458,527 B2 \* 12/2008 Lutzki ..... B05B 3/005  
239/230  
7,677,474 B2 \* 3/2010 Markley ..... B05B 1/34  
239/203  
D615,152 S \* 5/2010 Kah, Jr. .... B05B 3/0486  
D23/214  
8,167,221 B2 \* 5/2012 McAfee ..... A01G 25/06  
239/204  
D682,391 S \* 5/2013 Kah, Jr. .... D23/214  
D697,176 S \* 1/2014 Kah, Jr. .... D23/214  
D708,702 S \* 7/2014 Clay ..... D23/214  
8,851,400 B2 \* 10/2014 Lo ..... B05B 3/0431  
239/232  
9,174,227 B2 \* 11/2015 Robertson ..... B05B 1/267

\* cited by examiner

(21) Appl. No.: **29/578,976**  
(22) Filed: **Sep. 27, 2016**  
(51) **LOC (11) Cl.** ..... **23-01**  
(52) **U.S. Cl.**  
USPC ..... **D23/214**  
(58) **Field of Classification Search**  
USPC ..... D23/214-216, 221; 239/201, 203, 263.3,  
239/240  
CPC ..... A01G 25/00; B05B 15/10; B05B 1/34;  
B05B 3/044  
See application file for complete search history.

*Primary Examiner* — Robin V Webster  
(74) *Attorney, Agent, or Firm* — Raymond Y. Chan;  
David and Raymond Patent Firm

(57) **CLAIM**

The ornamental design for a sprinkler, as shown and described.

**DESCRIPTION**

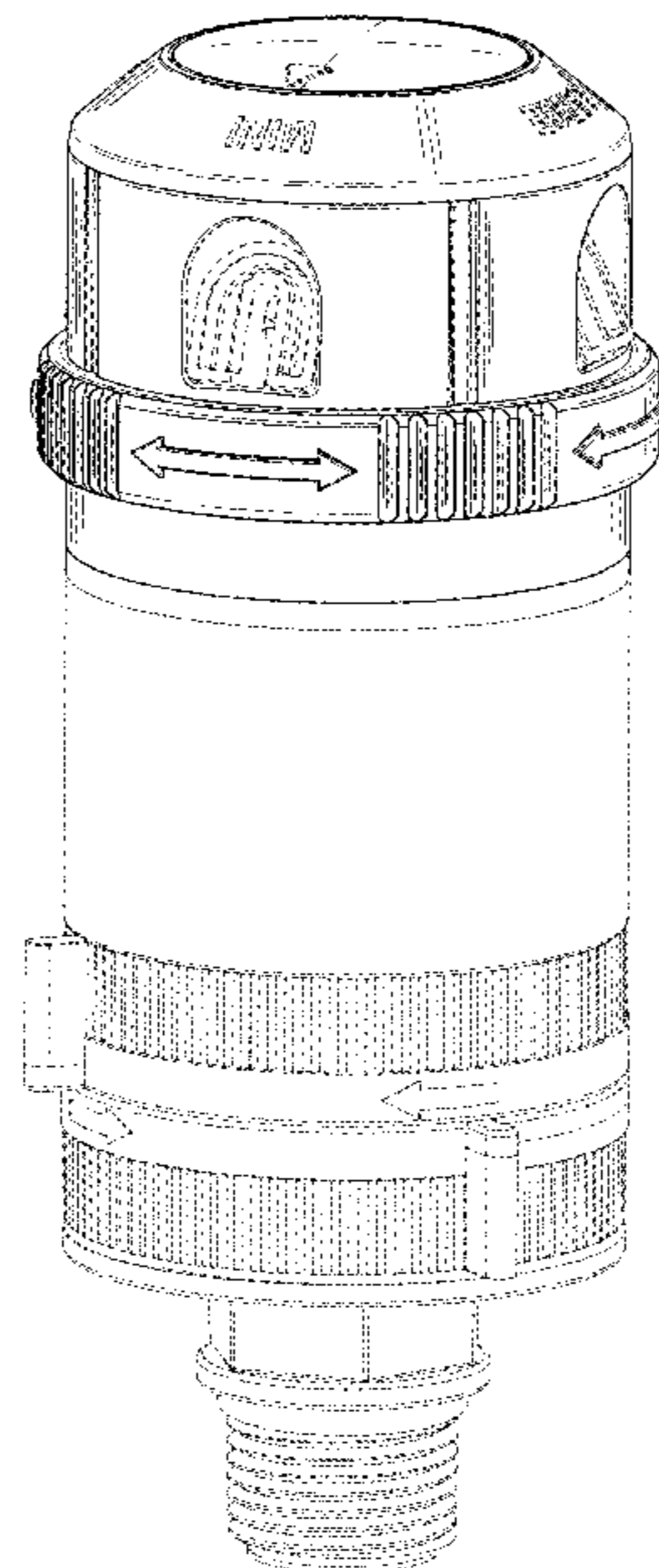
FIG. 1 is a front view of an sprinkler showing my new design.  
FIG. 2 is a rear view thereof.  
FIG. 3 is a left view thereof.  
FIG. 4 is a right view thereof.  
FIG. 5 is a top view thereof.  
FIG. 6 is a bottom view thereof; and,  
FIG. 7 is a perspective view thereof.  
The broken line in the drawing is included for the purpose of illustrating environmental detail and forms no part of the claimed design.

(56) **References Cited**

**U.S. PATENT DOCUMENTS**

3,485,449 A \* 12/1969 Wilson ..... A01G 1/08  
239/200  
D276,453 S \* 11/1984 DeVroom ..... D23/214  
D388,502 S \* 12/1997 Kah, III ..... D23/214  
D466,971 S \* 12/2002 Clivio ..... D23/214  
6,732,950 B2 \* 5/2004 Ingham, Jr. .... B05B 3/0436  
239/205

**1 Claim, 7 Drawing Sheets**



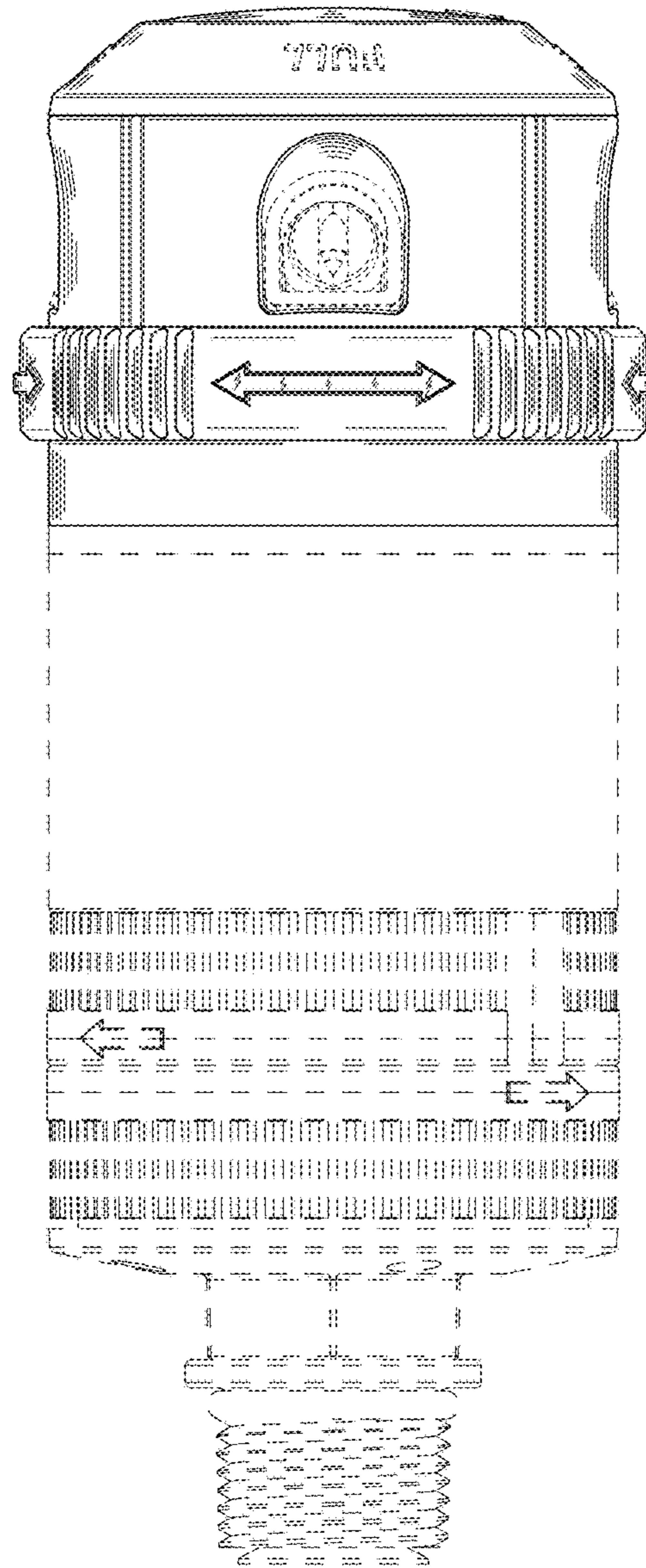


FIG 1

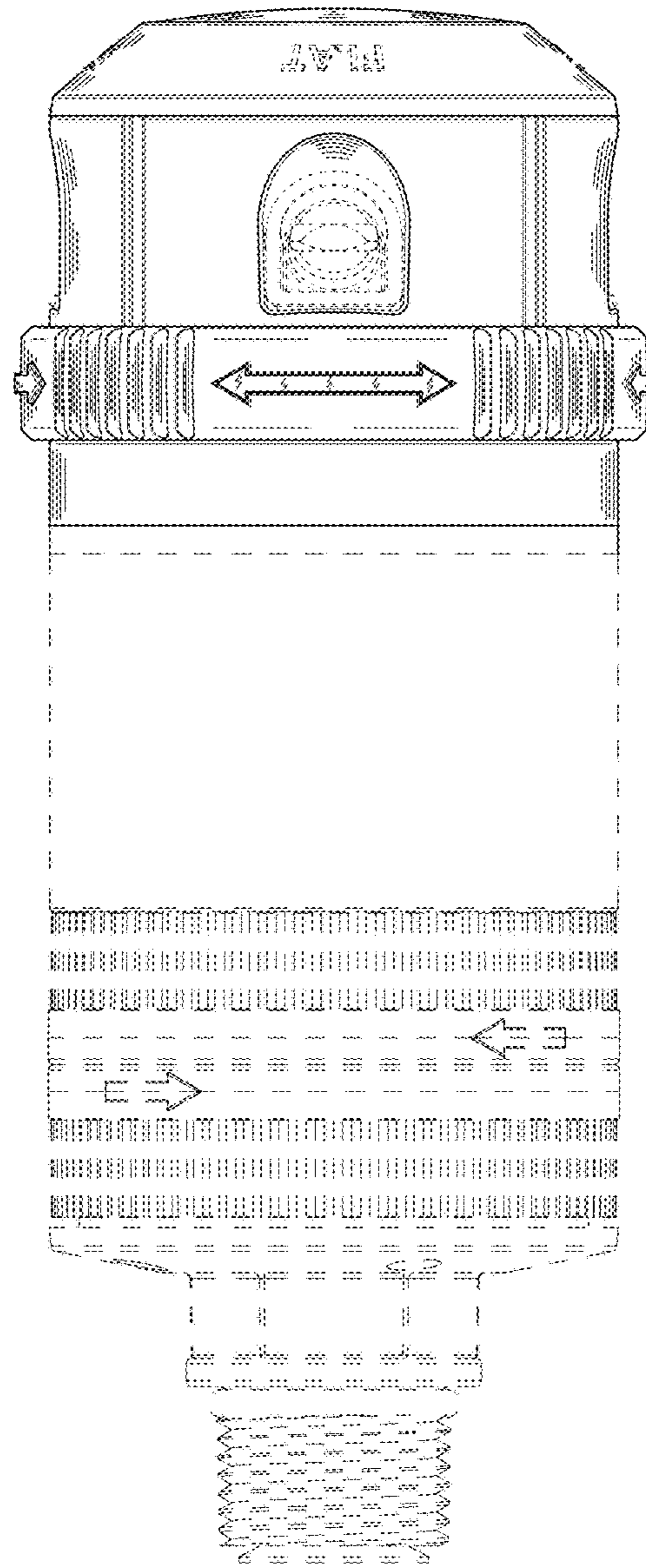


FIG 2

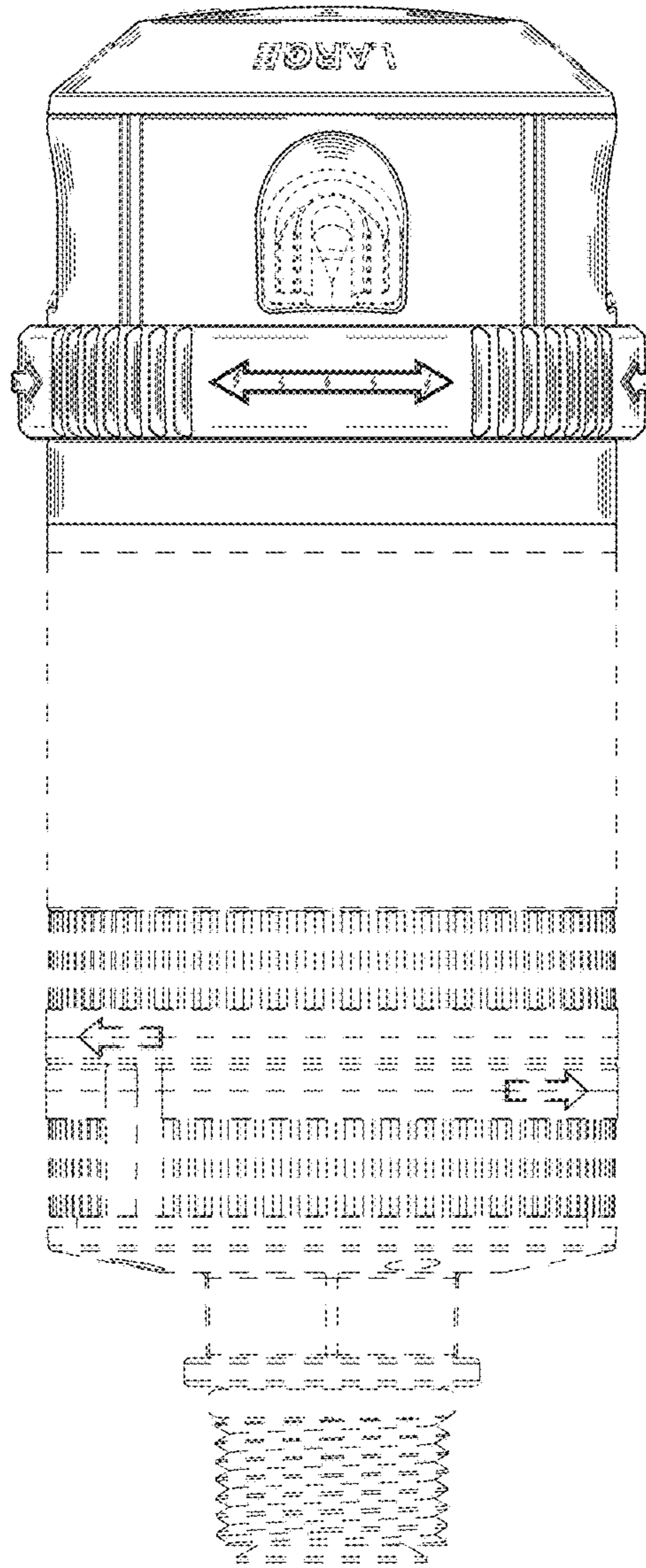


FIG 3

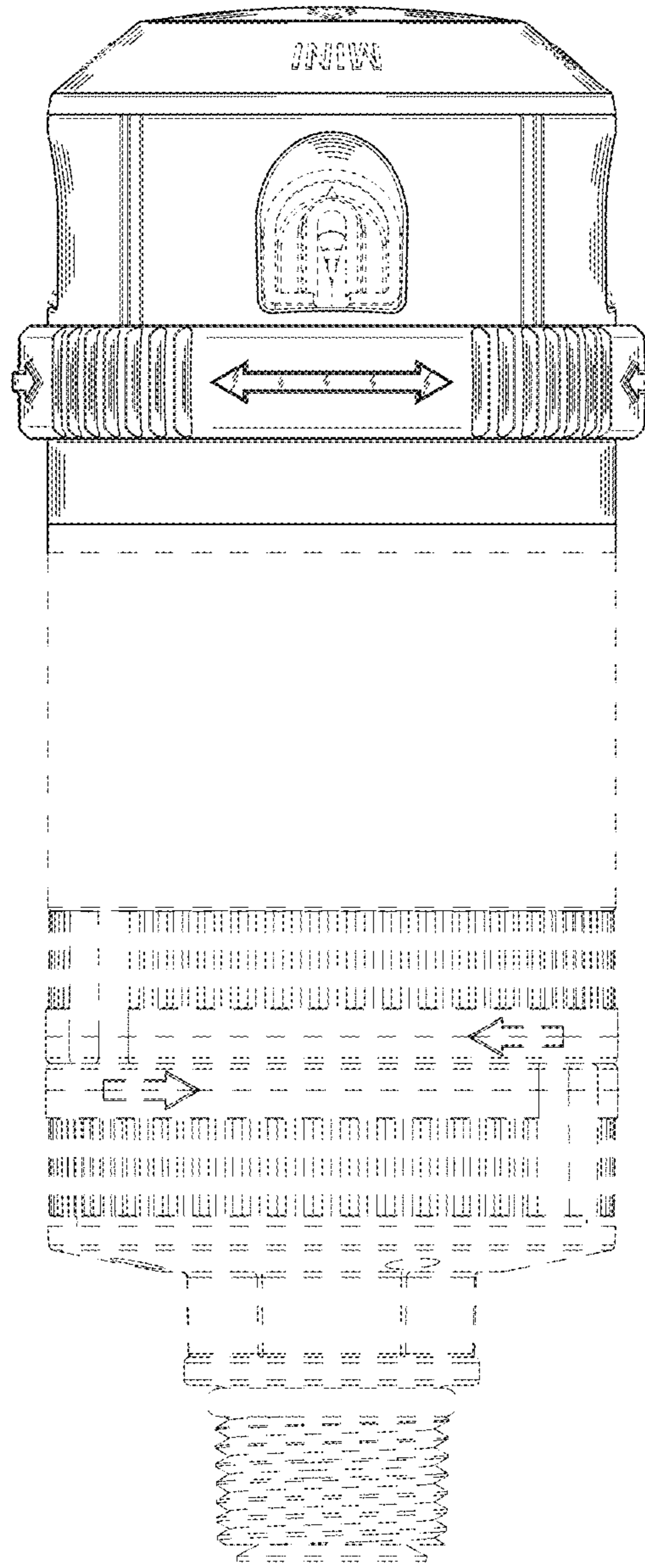


FIG 4

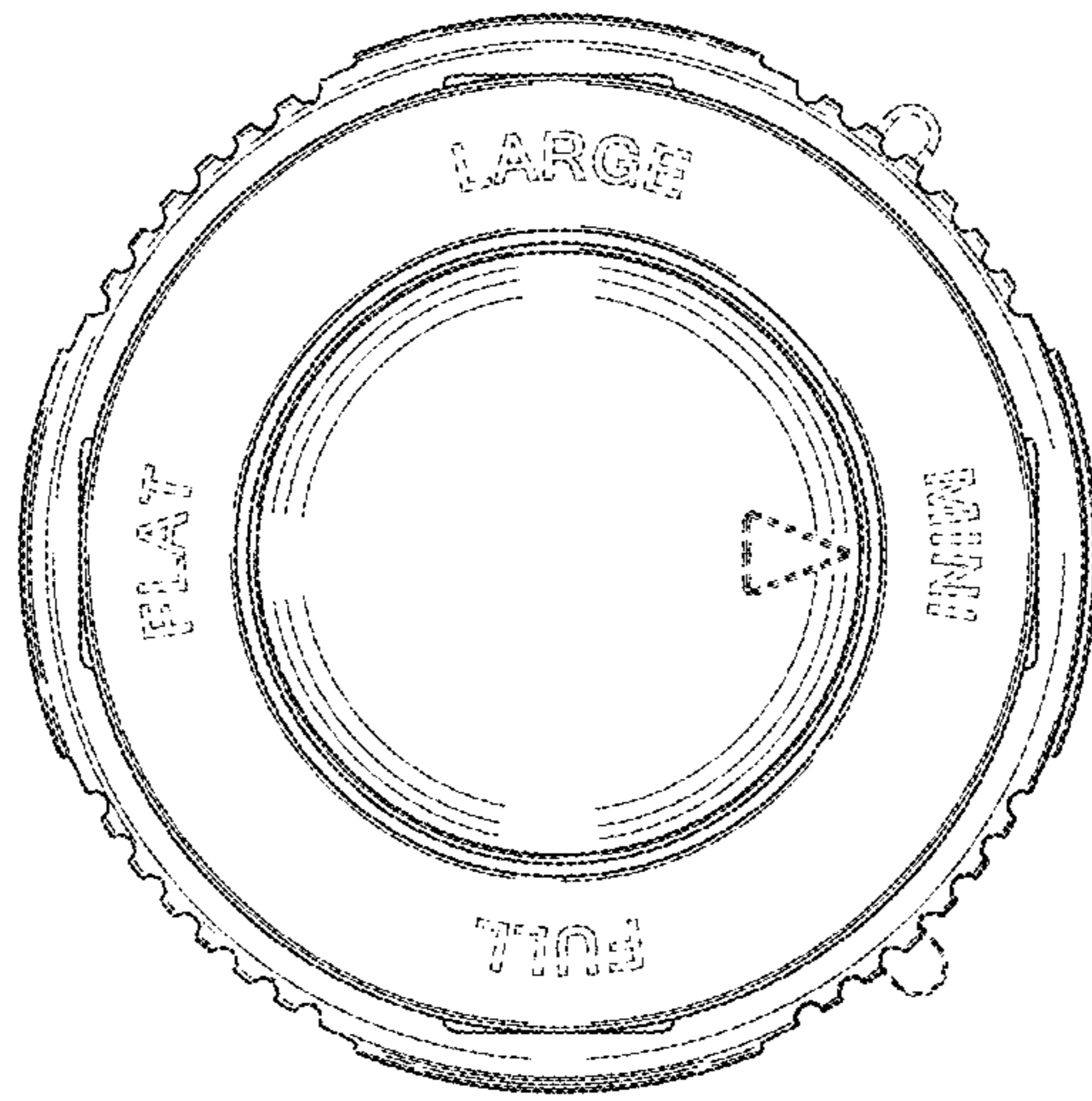


FIG 5

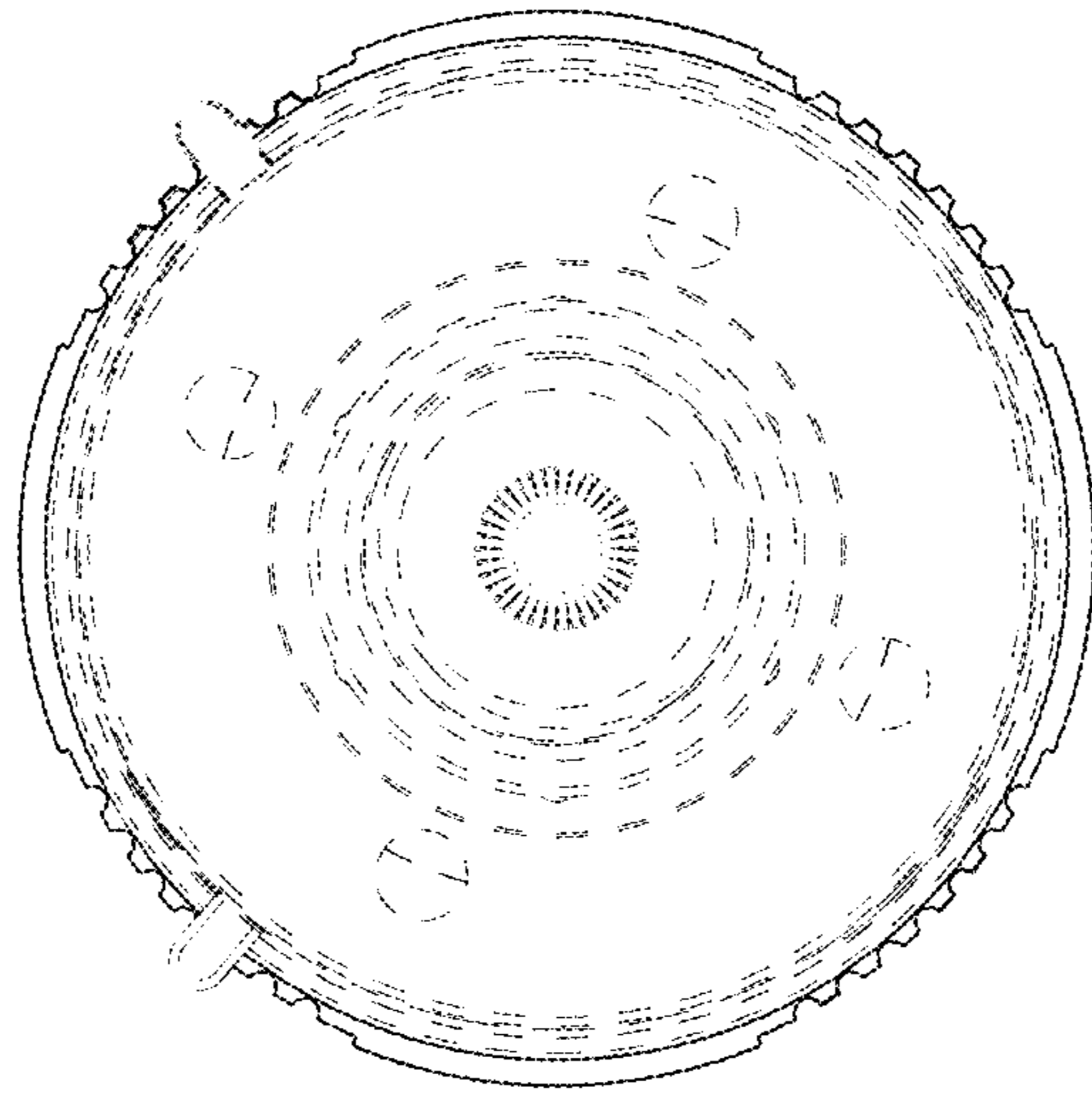


FIG 6

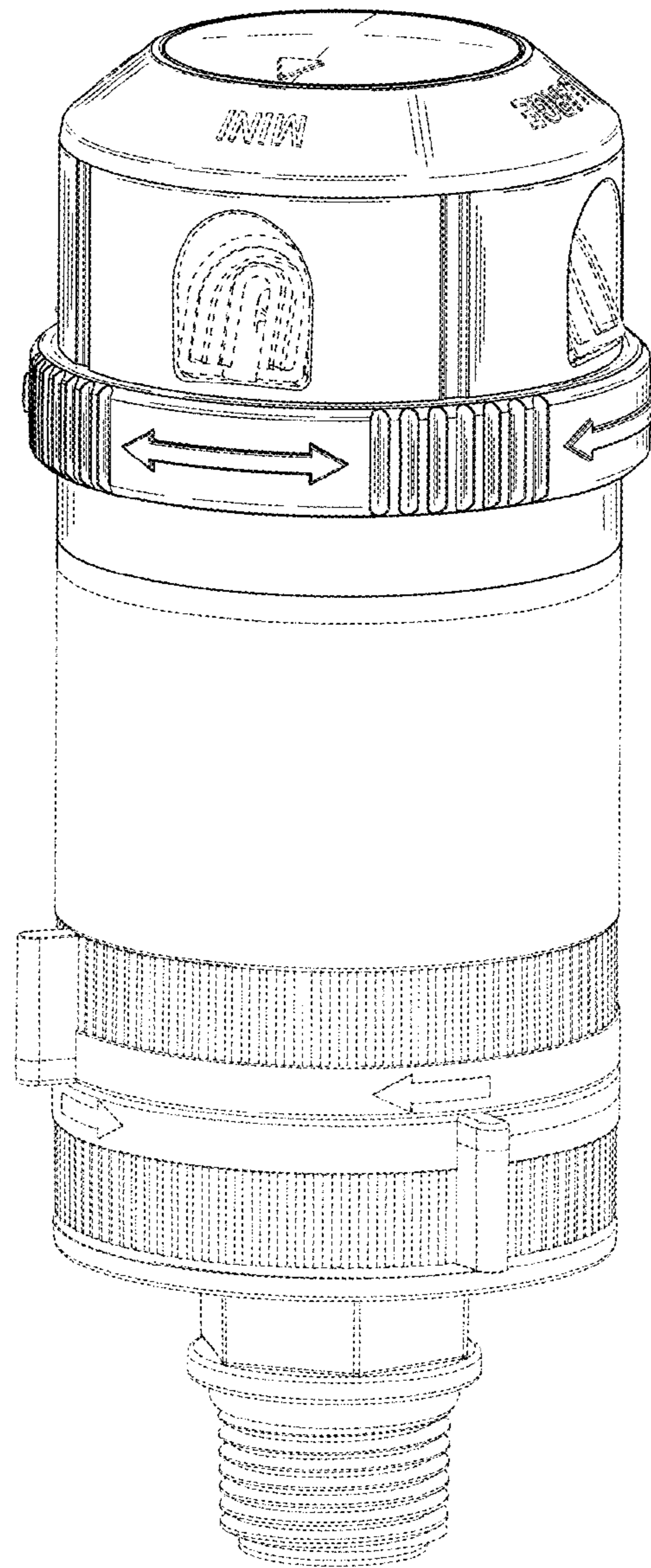


FIG 7